

US00D727974S

(12) **United States Design Patent**
Meyer et al.

(10) **Patent No.:** **US D727,974 S**

(45) **Date of Patent:** **** Apr. 28, 2015**

(54) **UNDERCARRIAGE TRACK ROLLER FOR MOBILE EARTHMOVING MACHINE**

AU 10996o 1/1991
(Continued)

(75) Inventors: **Robert L. Meyer**, Metamora, IL (US);
Gregory J. Kaufmann, Metamora, IL (US);
Mark Steven Diekevers, Metamora, IL (US);
Timothy A. Thorson, Morton, IL (US)

OTHER PUBLICATIONS

Caterpillar, "Cat® Enhanced Sealed and Lubricated Track (SALT) Undercarriage," © 2011.
(Continued)

(73) Assignee: **Caterpillar Inc.**, Peoria, IL (US)

(**) Term: **14 Years**

Primary Examiner — Mark Goodwin

(21) Appl. No.: **29/426,069**

(74) *Attorney, Agent, or Firm* — Saidman DesignLaw Group, LLC

(22) Filed: **Jun. 29, 2012**

(51) **LOC (10) Cl.** **15-03**

(52) **U.S. Cl.**
USPC **D15/28**

(58) **Field of Classification Search**
CPC B62D 55/092
USPC D15/28, 22-26; 305/196, 106, 119,
305/202, 136, 137; 148/526, 529; 427/287
See application file for complete search history.

(57) **CLAIM**

The ornamental design for an undercarriage track roller for mobile earthmoving machine, as shown and described.

DESCRIPTION

FIG. 1 is a front, top perspective view of an undercarriage track roller for mobile earthmoving machine showing our new design;
FIG. 2 is a front view thereof;
FIG. 3 is a rear view thereof;
FIG. 4 is a left side view thereof;
FIG. 5 is a right side view thereof;
FIG. 6 is a top view thereof;
FIG. 7 is a bottom view thereof;
FIG. 8 is a front, top perspective view of a second embodiment thereof;
FIG. 9 is a front view thereof;
FIG. 10 is a rear view thereof;
FIG. 11 is a left side view thereof;
FIG. 12 is a right side view thereof;
FIG. 13 is a top view thereof; and,
FIG. 14 is a bottom view thereof.
The broken lines illustrate environmental structure and form no part of the claimed design.
The relatively light shade lines on the surface portions indicate contour and not surface decoration.

(56) **References Cited**

U.S. PATENT DOCUMENTS

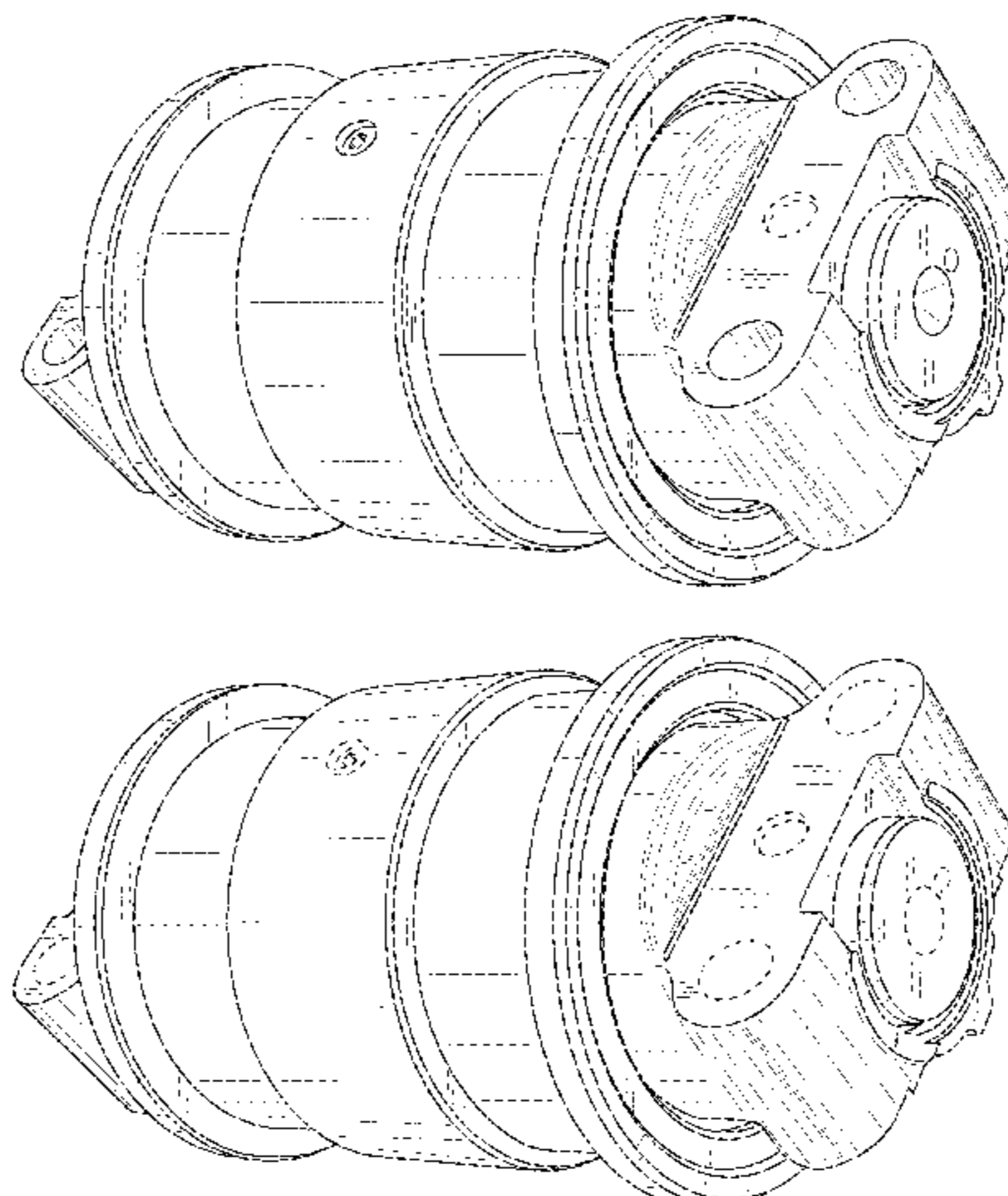
D53,639 S	7/1919	Moore	
1,952,545 A	3/1934	Gotshall	
2,054,532 A *	9/1936	Baker et al.	384/381
D107,515 S	12/1937	Grange et al.	
2,463,226 A	3/1949	Walden	
2,549,930 A	4/1951	Riegel et al.	
2,652,285 A	9/1953	Negri	
2,664,317 A	12/1953	Glynn et al.	
2,874,005 A	2/1959	Engstrom	
D186,214 S	9/1959	Francis	
2,911,252 A	11/1959	Templeton	
3,035,872 A	5/1962	Rich	
3,089,021 A	5/1963	Hawes et al.	

(Continued)

FOREIGN PATENT DOCUMENTS

AU	95684	3/1987
AU	105902	11/1989
AU	106480	1/1990
AU	107028	3/1990

1 Claim, 8 Drawing Sheets



(56)

References Cited

U.S. PATENT DOCUMENTS

3,116,957 A * 1/1964 Fikse 384/381
 3,372,959 A 3/1968 Watts, Jr.
 D224,705 S 9/1972 Mattson
 3,866,985 A * 2/1975 Whitehurst 384/418
 3,869,931 A * 3/1975 Boggs 474/151
 3,947,074 A 3/1976 Nelson
 3,955,855 A 5/1976 Massieon et al.
 4,003,608 A 1/1977 Carter
 4,112,851 A 9/1978 Rousseau et al.
 4,176,887 A 12/1979 Alpers et al.
 4,257,653 A 3/1981 Meisel, Jr. et al.
 4,371,362 A * 2/1983 Dorris 474/198
 4,440,095 A 4/1984 Mathieu
 4,444,441 A 4/1984 Parker
 4,459,124 A 7/1984 Newton
 4,685,184 A 8/1987 Satkamp
 4,695,102 A * 9/1987 Crotti 305/100
 4,763,961 A 8/1988 Parrott
 D298,632 S 11/1988 Grawey et al.
 4,825,777 A 5/1989 Cummins
 4,890,892 A 1/1990 Haslett
 5,005,922 A 4/1991 Edwards et al.
 5,104,205 A 4/1992 Motomura et al.
 D338,020 S 8/1993 Taft
 D340,890 S 11/1993 Martin et al.
 5,288,143 A 2/1994 Dester et al.
 5,333,710 A 8/1994 Oertley
 5,482,364 A 1/1996 Edwards et al.
 5,509,359 A 4/1996 Houston
 5,553,931 A * 9/1996 Diekevers 305/100
 D382,570 S 8/1997 Bruns
 5,692,985 A 12/1997 Hirata et al.
 5,752,574 A 5/1998 Oertley
 5,803,558 A * 9/1998 Ketting et al. 305/136
 5,887,958 A 3/1999 Bissi et al.
 5,913,374 A 6/1999 Becker et al.
 5,927,665 A 7/1999 Grabnic
 6,012,784 A 1/2000 Oertley
 6,017,103 A 1/2000 Villard
 6,047,969 A 4/2000 Hoeffft et al.
 6,120,405 A 9/2000 Oertley et al.
 6,186,671 B1 2/2001 Rucks et al.
 6,220,378 B1 4/2001 Oertley et al.
 6,237,877 B1 5/2001 Wallace et al.
 6,250,459 B1 6/2001 Coen et al.
 RE37,254 E 7/2001 Ketting et al.
 6,322,473 B1 11/2001 Burdick et al.
 6,364,438 B1 4/2002 Hasselbusch et al.
 6,416,142 B1 7/2002 Oertley
 6,422,667 B2 * 7/2002 Miyaura 305/202
 6,431,665 B1 8/2002 Banerjee et al.
 6,474,754 B1 11/2002 Hasselbusch
 6,568,684 B2 5/2003 Bedford et al.
 6,733,093 B2 5/2004 Deland et al.
 6,851,768 B2 * 2/2005 Takeno et al. 305/136
 6,874,859 B1 4/2005 Duse
 D510,742 S 10/2005 Stover
 7,040,080 B2 5/2006 Okawa et al.
 7,100,353 B1 9/2006 Maguire
 D549,244 S 8/2007 Noel
 7,374,257 B2 5/2008 Oertley
 D598,937 S 8/2009 Lyasko
 D599,381 S 9/2009 Chiang
 D603,880 S 11/2009 Brazier
 7,614,709 B2 11/2009 Oertley
 7,644,999 B2 1/2010 Bradberry et al.
 7,661,774 B2 2/2010 Yamamoto et al.
 7,721,864 B2 5/2010 Bluhm
 7,806,209 B2 10/2010 Standish et al.
 7,832,815 B2 11/2010 VanderVeen
 7,896,766 B2 3/2011 Mitzschke et al.
 7,914,086 B2 3/2011 Mulligan
 8,075,069 B2 12/2011 Pech et al.
 D660,877 S 5/2012 Caron et al.
 8,172,342 B2 5/2012 Diekevers et al.

D709,527 S 7/2014 Meyer et al.
 2001/0001223 A1 * 5/2001 Miyaura 305/202
 2002/0113489 A1 8/2002 Oertley
 2003/0090151 A1 5/2003 Takeno et al.
 2005/0104448 A1 5/2005 Hori et al.
 2006/0017323 A1 * 1/2006 Wodrich et al. 305/202
 2008/0164756 A1 7/2008 Yamamoto et al.
 2008/0217994 A1 9/2008 McRae et al.
 2009/0026836 A1 * 1/2009 Maeda 305/198
 2009/0102281 A1 4/2009 Diekevers et al.
 2009/0121542 A1 5/2009 Hunold et al.
 2009/0267408 A1 10/2009 Chiang
 2010/0007206 A1 * 1/2010 Wodrich 305/198
 2010/0102623 A1 4/2010 Mulligan
 2010/0133898 A1 6/2010 Johannsen et al.
 2010/0141005 A1 6/2010 Mackert
 2010/0141027 A1 6/2010 Fischer et al.
 2012/0146398 A1 6/2012 Nebergall et al.
 2012/0146399 A1 6/2012 Nebergall et al.
 2012/0153714 A1 6/2012 Yelistratov
 2014/0001827 A1 1/2014 Kaufmann et al.
 2014/0070603 A1 * 3/2014 Wodrich et al. 305/137

FOREIGN PATENT DOCUMENTS

AU 121710 10/1994
 AU 137779 7/1999
 AU 139354 12/1999
 AU 140881 6/2000
 AU 143748 5/2001
 AU 149531 10/2002
 AU 304403 11/2005
 AU 307970 7/2006
 AU 310269 9/2006
 AU 321833 10/2008
 AU 324833 2/2009
 AU 335858 4/2011
 AU 338612 9/2011
 AU 340737 2/2012
 CL 265-1928 5/1928
 CL 628-1928 10/1928
 CL 145-1939 7/1939
 CL 75-1943 3/1943
 CL 774-1989 11/1989
 CL 773-1989 3/1990
 CL 92-1990 5/1990
 CL 564-1991 7/1991
 CL 2196-1997 12/1998
 CL 1488-2002 9/2002
 CL 2980-2001 8/2003
 CL 331-2009 5/2009
 CL 332-2009 5/2009
 CL 335-2009 5/2009
 CL 336-2009 5/2009
 CL 7-2010 9/2010
 CL 2110-2011 12/2011
 CL 3070-2011 6/2012
 EM 000302823-0001 2/2005
 EM 000450028-0003 12/2005
 EM 000450028-0006 12/2005
 EM 000472956-0001 1/2006
 EM 000528807-0001 5/2006
 EM 000528807-0002 5/2006
 EM 000528807-0003 5/2006
 EM 000644976-0001 12/2006
 EP 2367712 9/2011
 GB 1051849 12/1987
 GB 2008967 3/1990
 GB 2067983 7/1997
 GB 2080040 12/1998
 GB 2087930 11/1999
 GB 2092436 4/2000
 GB 2098189 6/2000
 GB 2105696 4/2001
 GB 2105775 5/2001
 GB 3019881 12/2004
 GB 3022180 8/2005
 GB 3022182 8/2005
 GB 4014572 2/2010

(56)

References Cited

FOREIGN PATENT DOCUMENTS

GB	4017607	11/2010
GB	4025167	6/2012
WO	2005123490 A1	12/2005

OTHER PUBLICATIONS

Caterpillar, "Cat® Undercarriage Assurance Programs," © 2010.

Caterpillar, "Cat® Undercarriage," © 2011.

Caterpillar, "Cat® Positive Pin Retention 2 (PPR2) Track," © 2011.

Caterpillar, "Cat® SystemOne™ Undercarriage for Cat® Machines," © 2009.

Caterpillar, Undercarriage System and Components, © 2007.

U.S. Appl. No. 29/426,112, entitled "Undercarriage Track Component for Mobile Earthmoving Machine," filed Jun. 29, 2012.

U.S. Appl. No. 61/666,550, entitled "Roller for a Machine Undercarriage," filed Jun. 29, 2012.

* cited by examiner

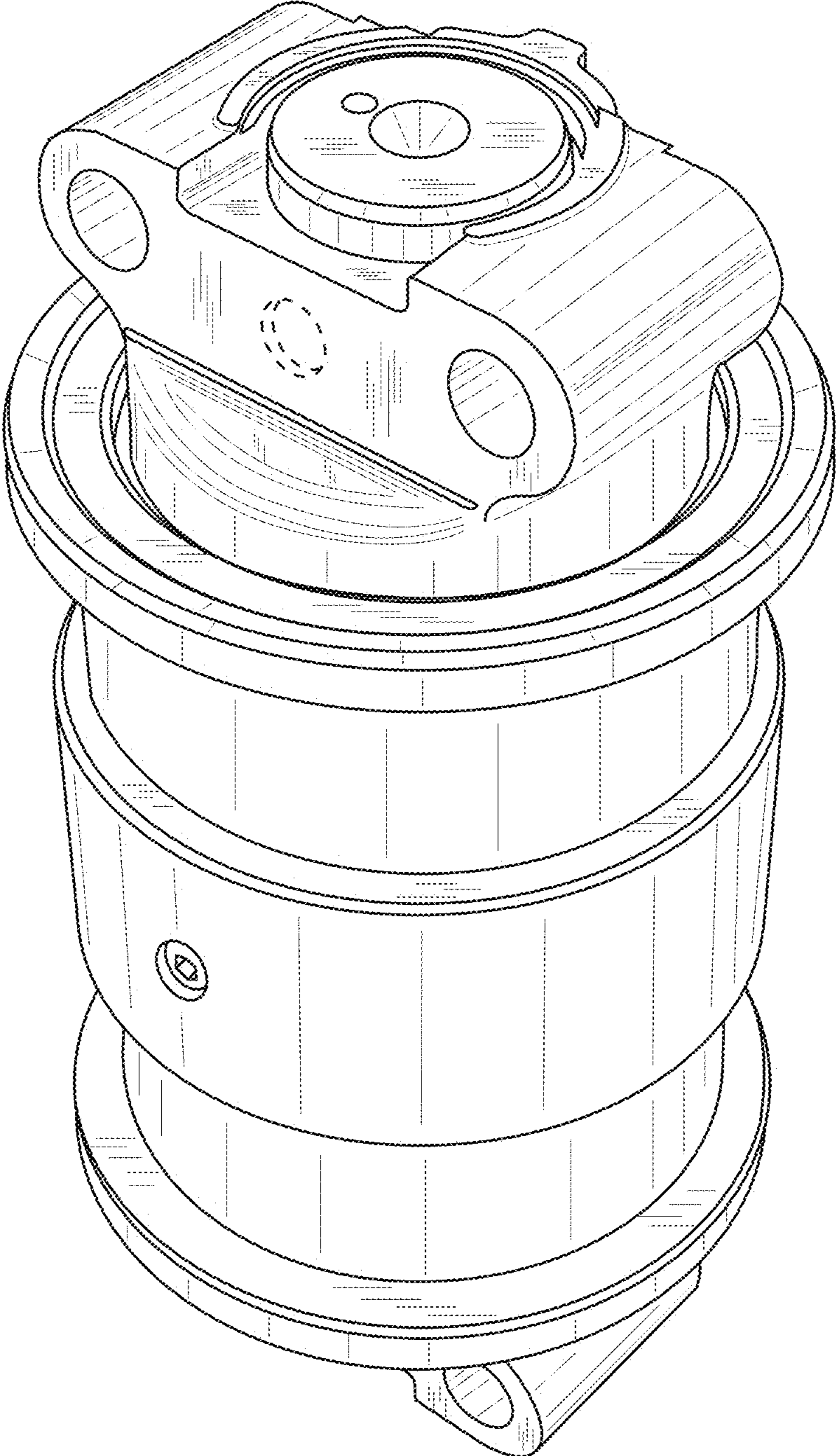


FIG. 1

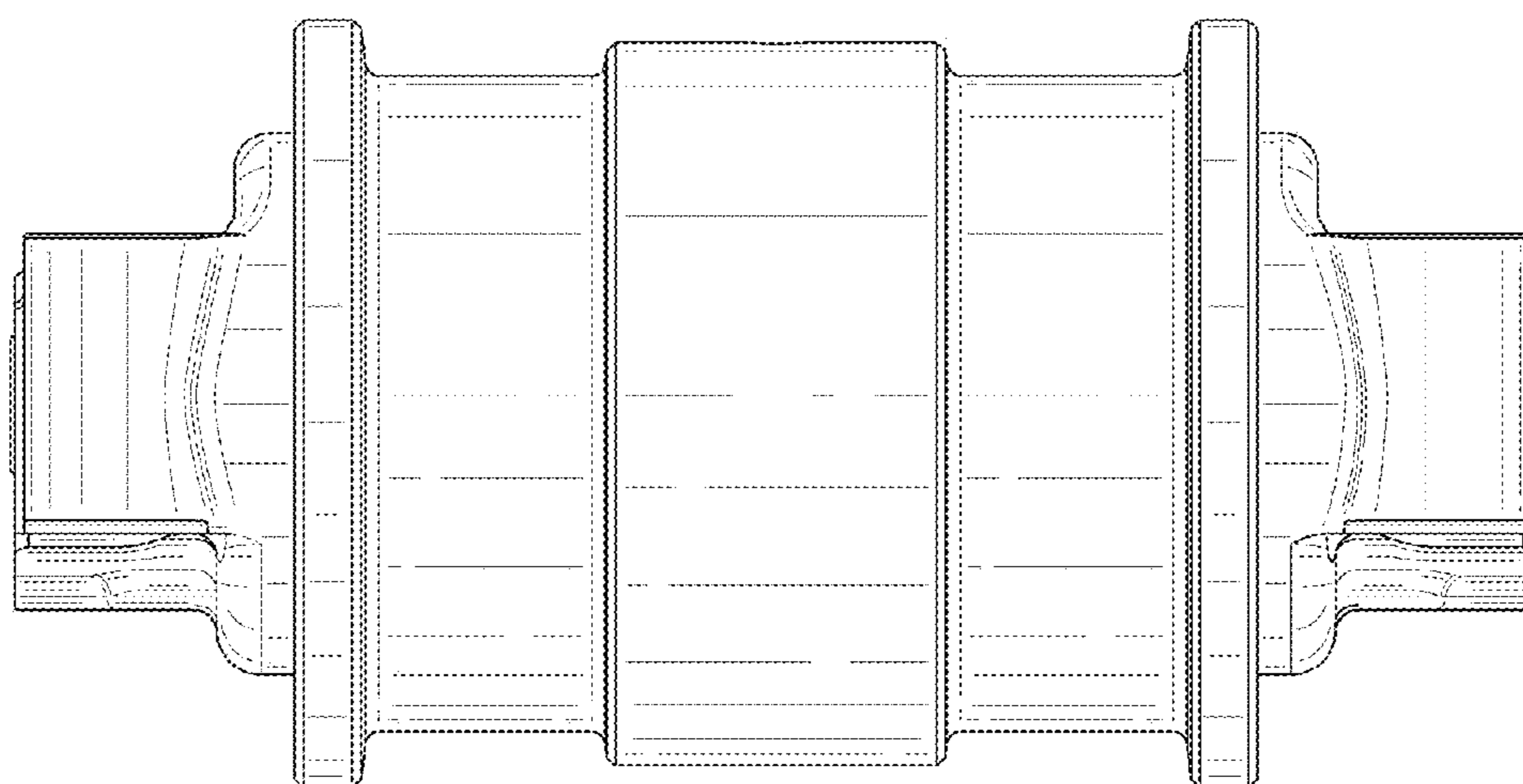


FIG. 2

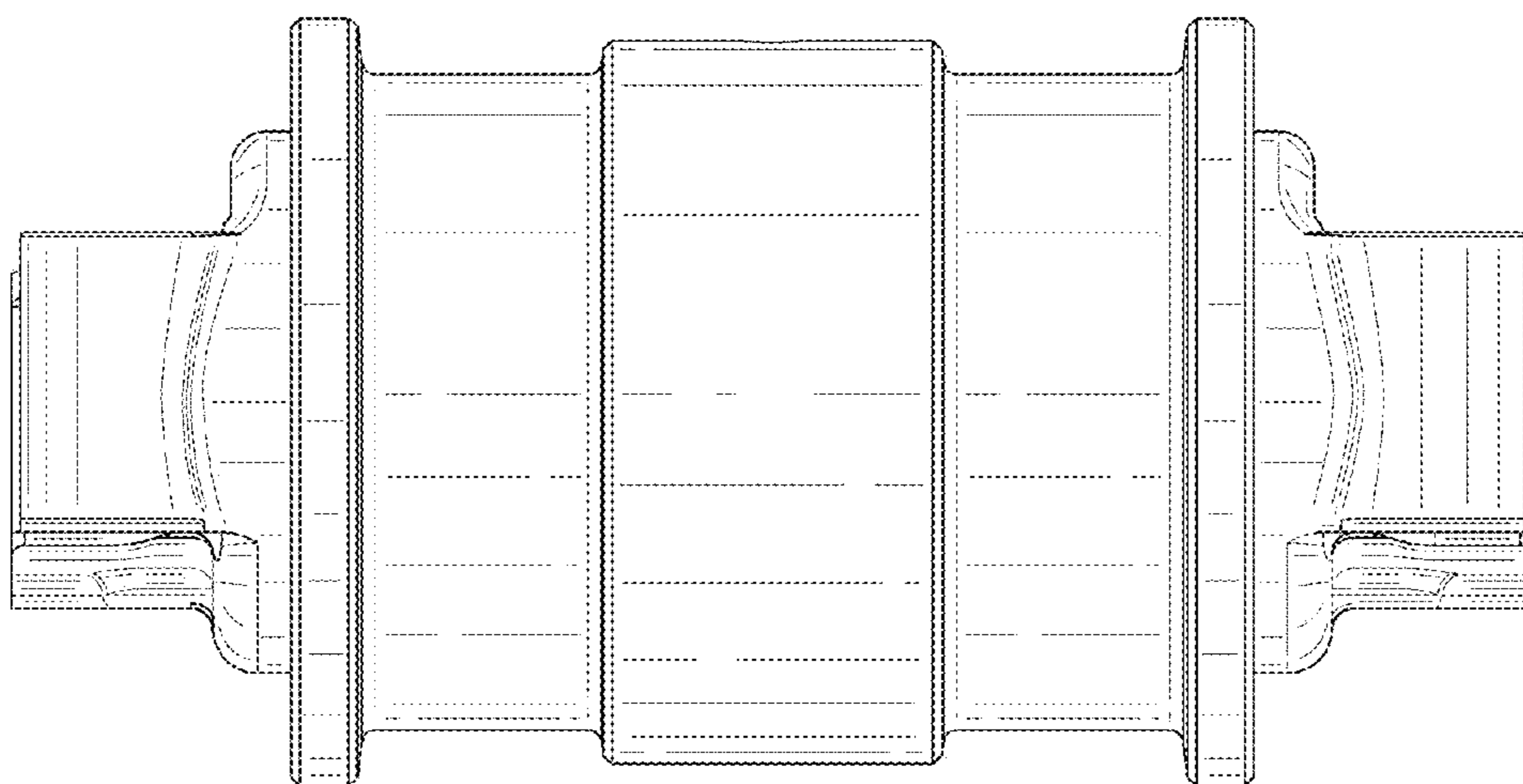


FIG. 3

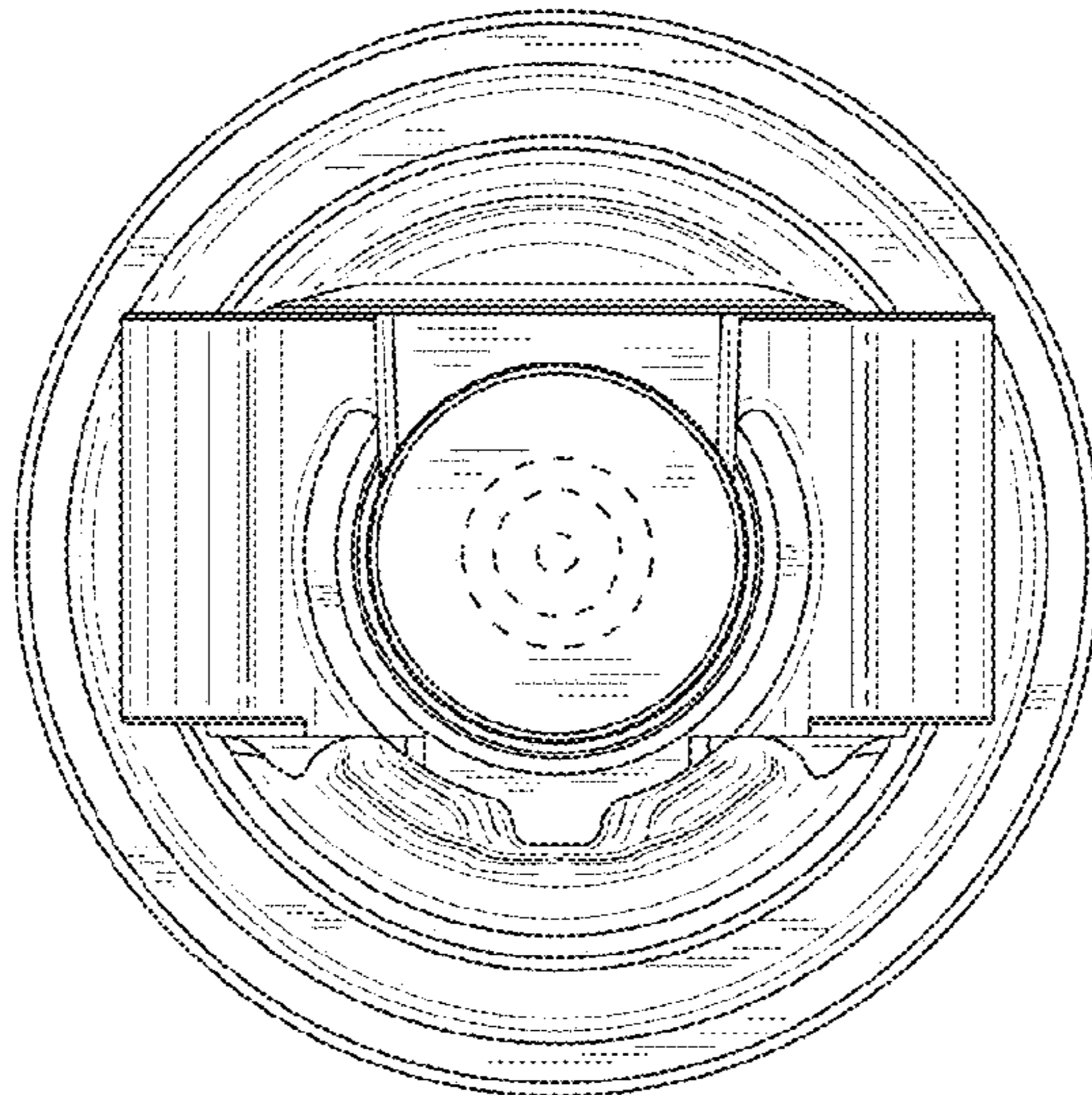


FIG. 4

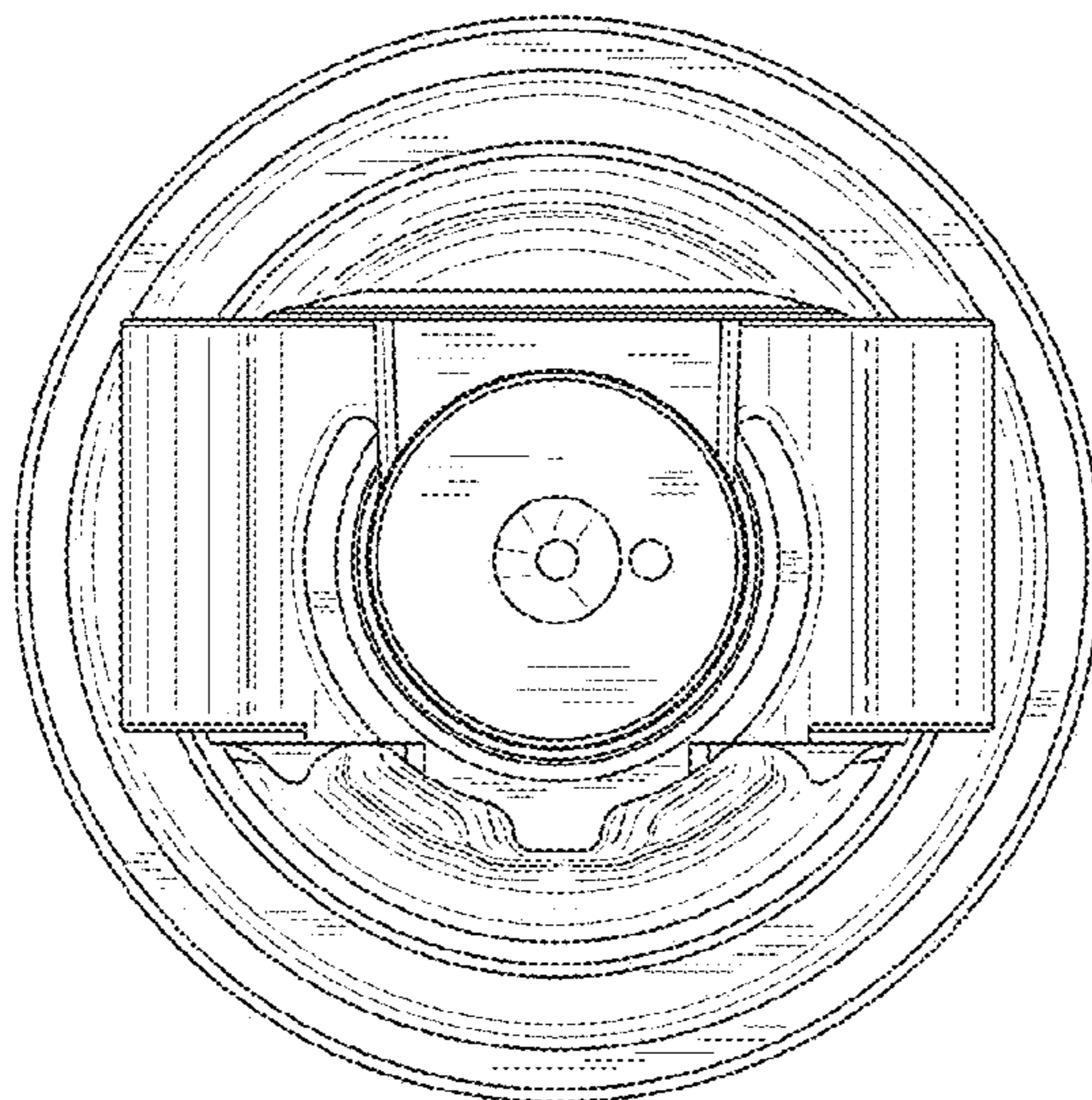


FIG. 5

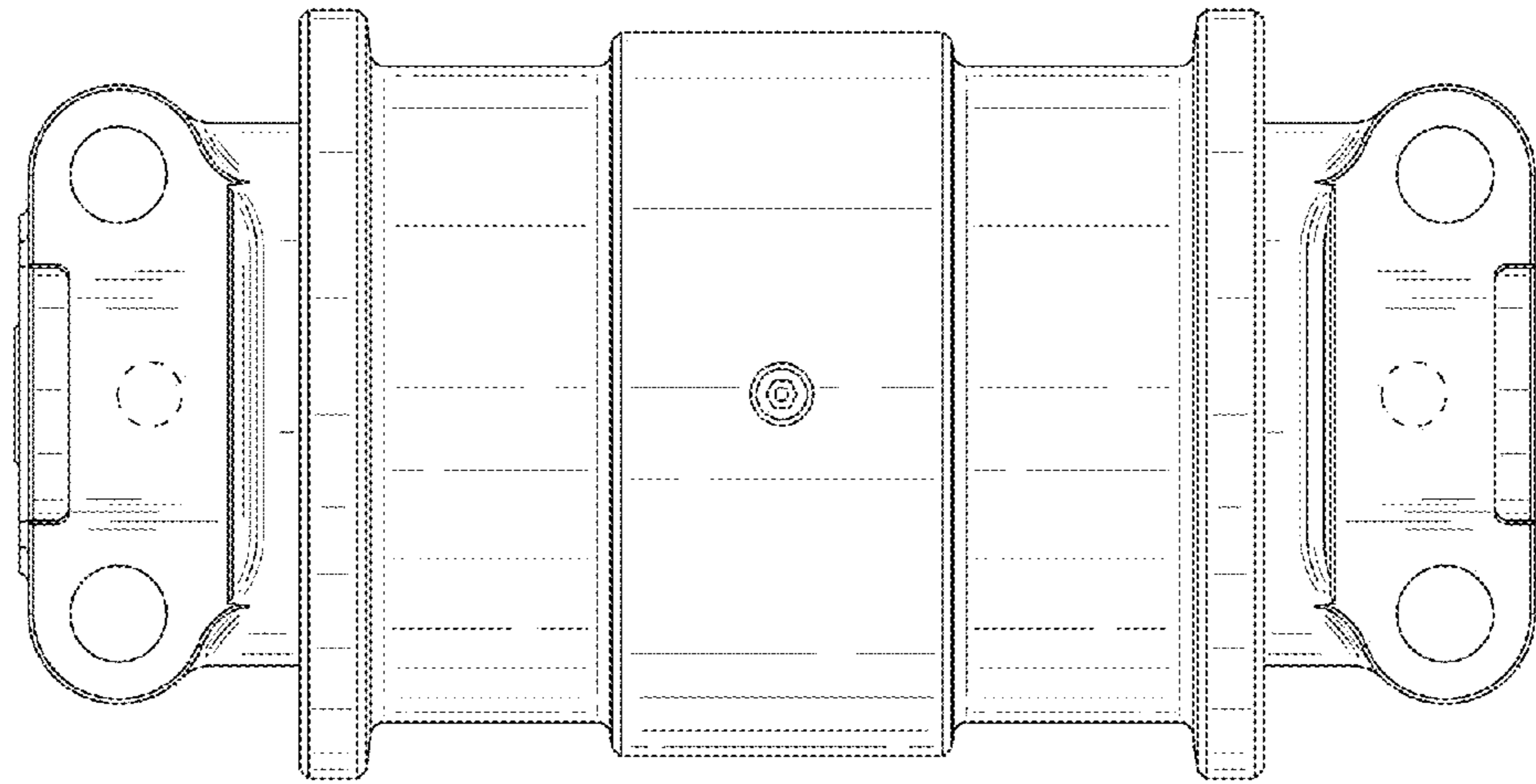


FIG. 6

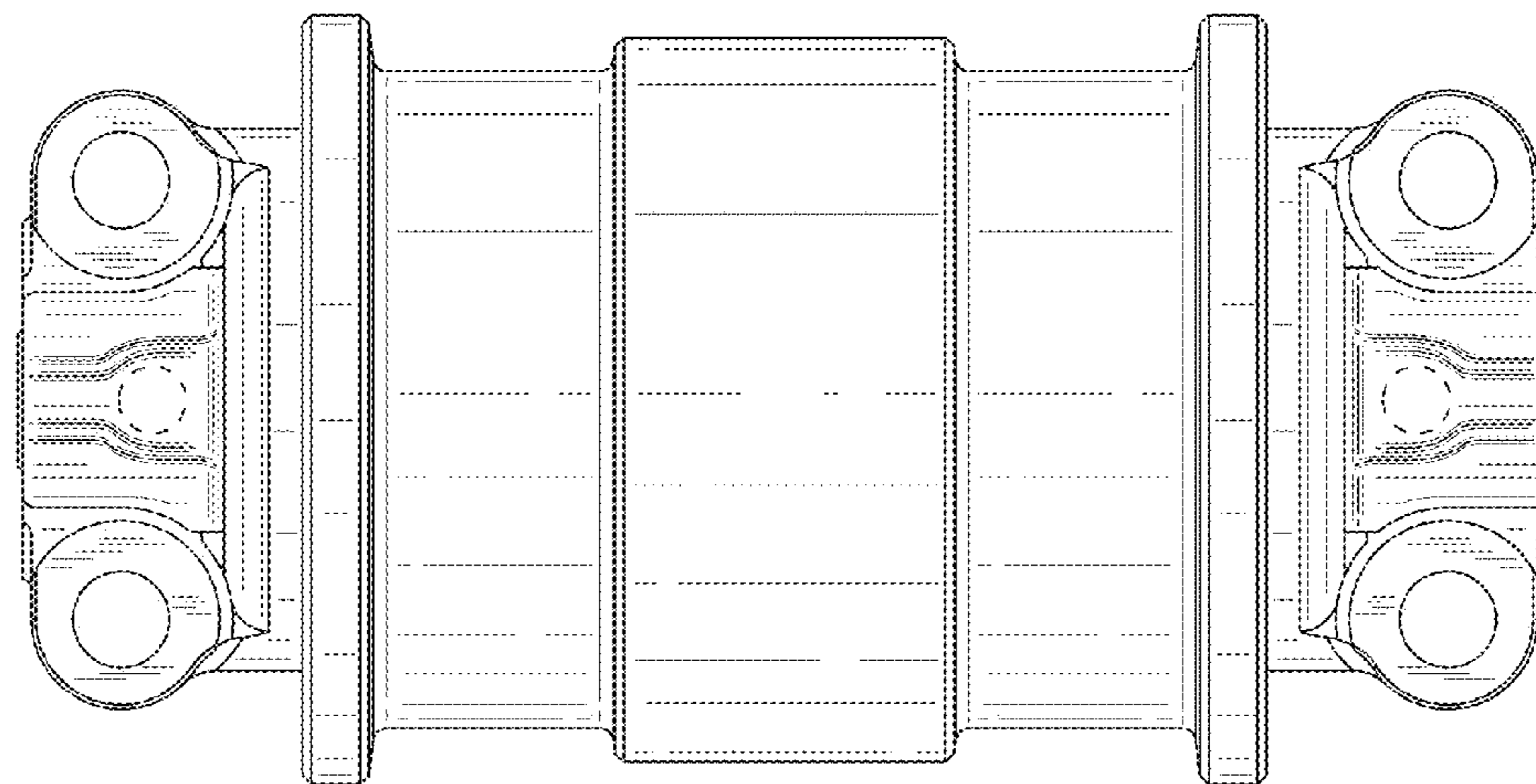


FIG. 7

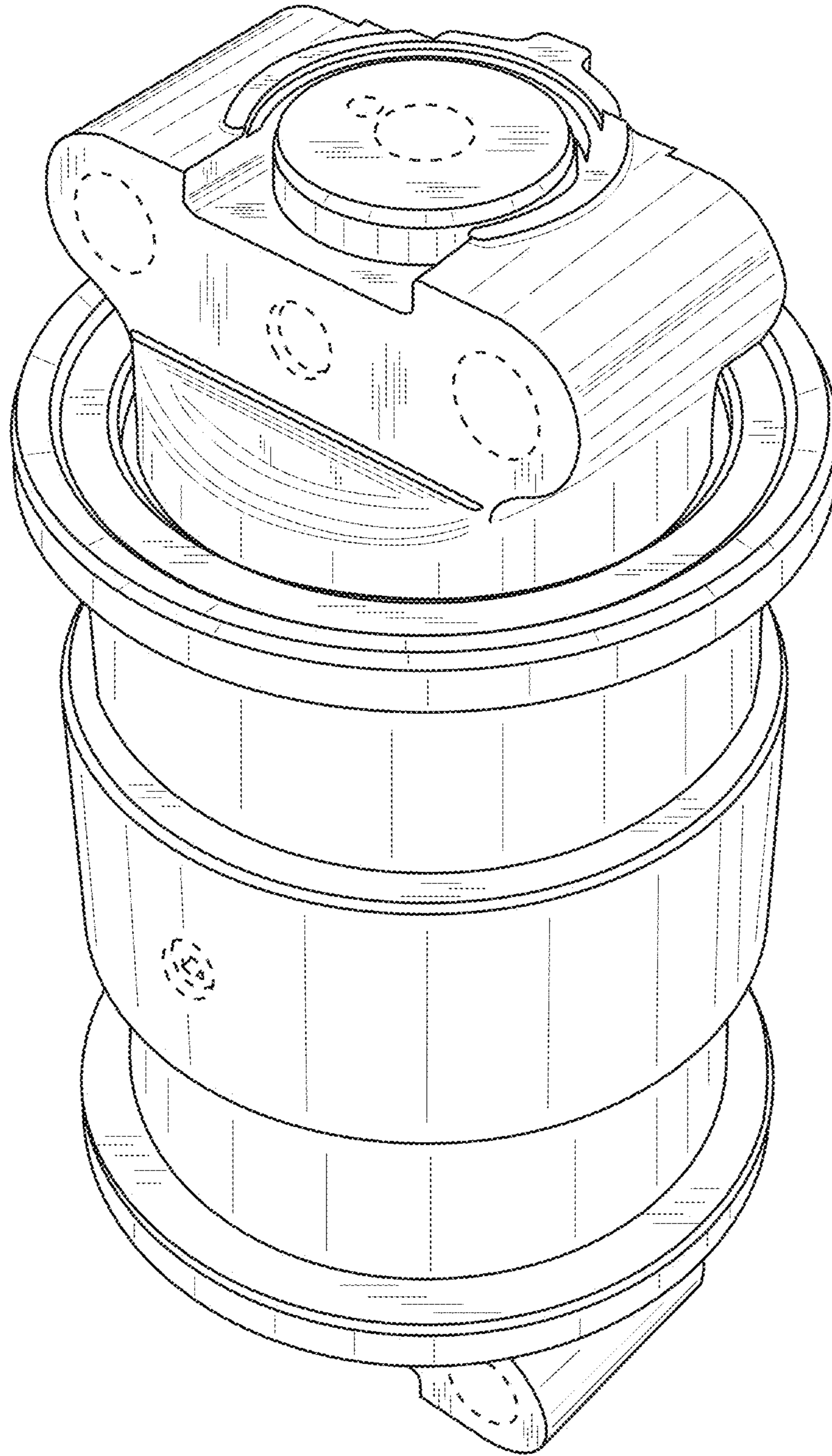


FIG. 8

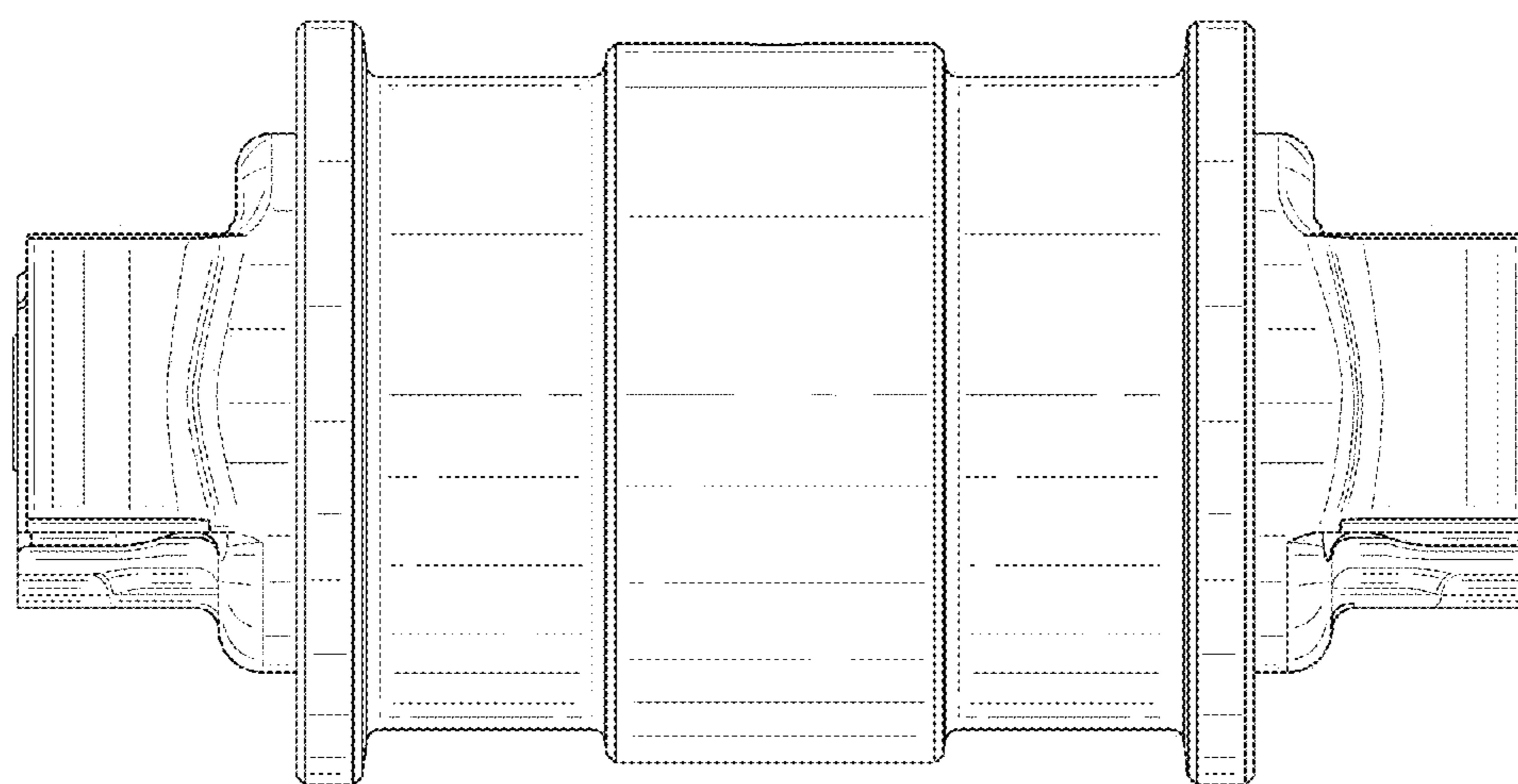


FIG. 9

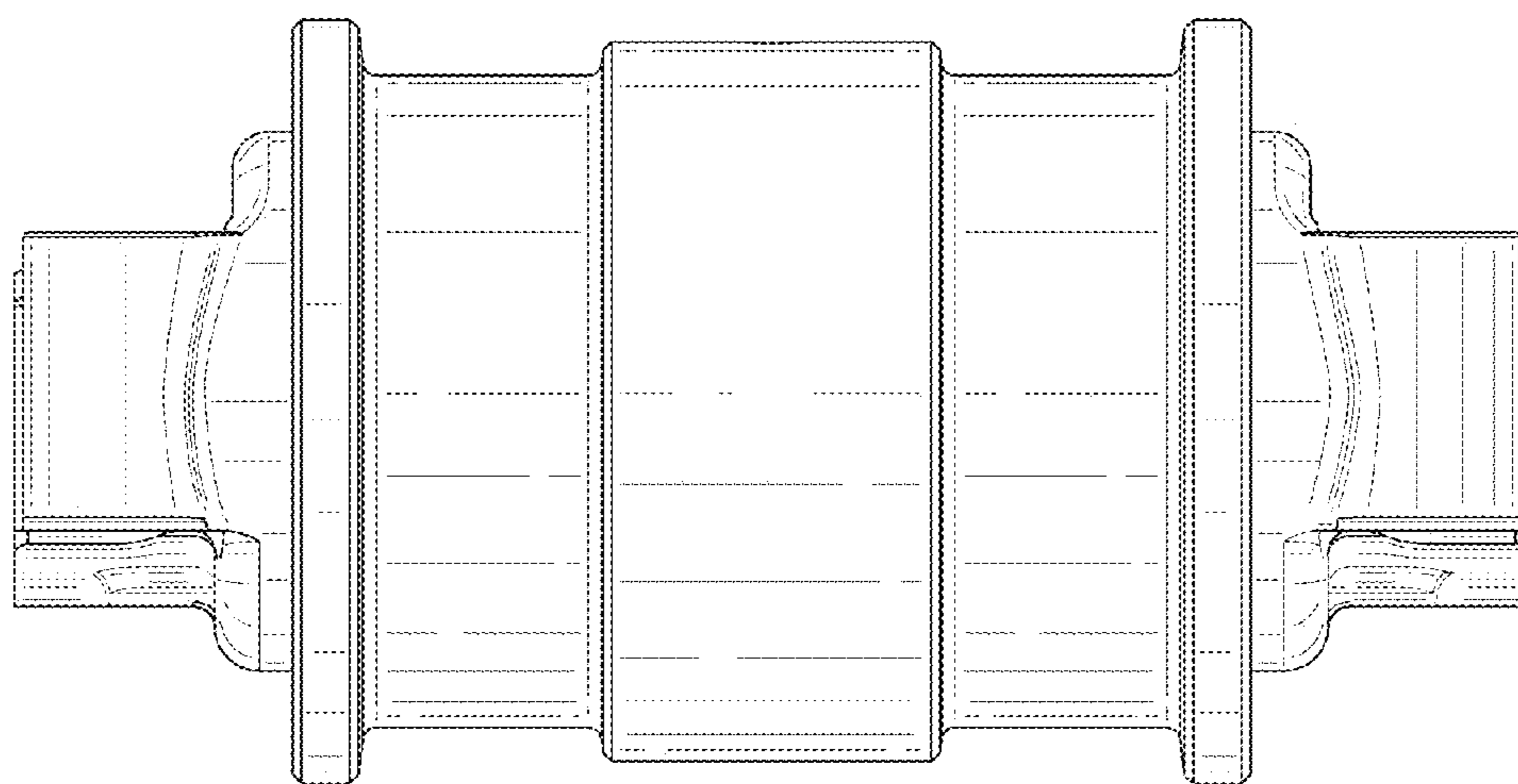


FIG. 10

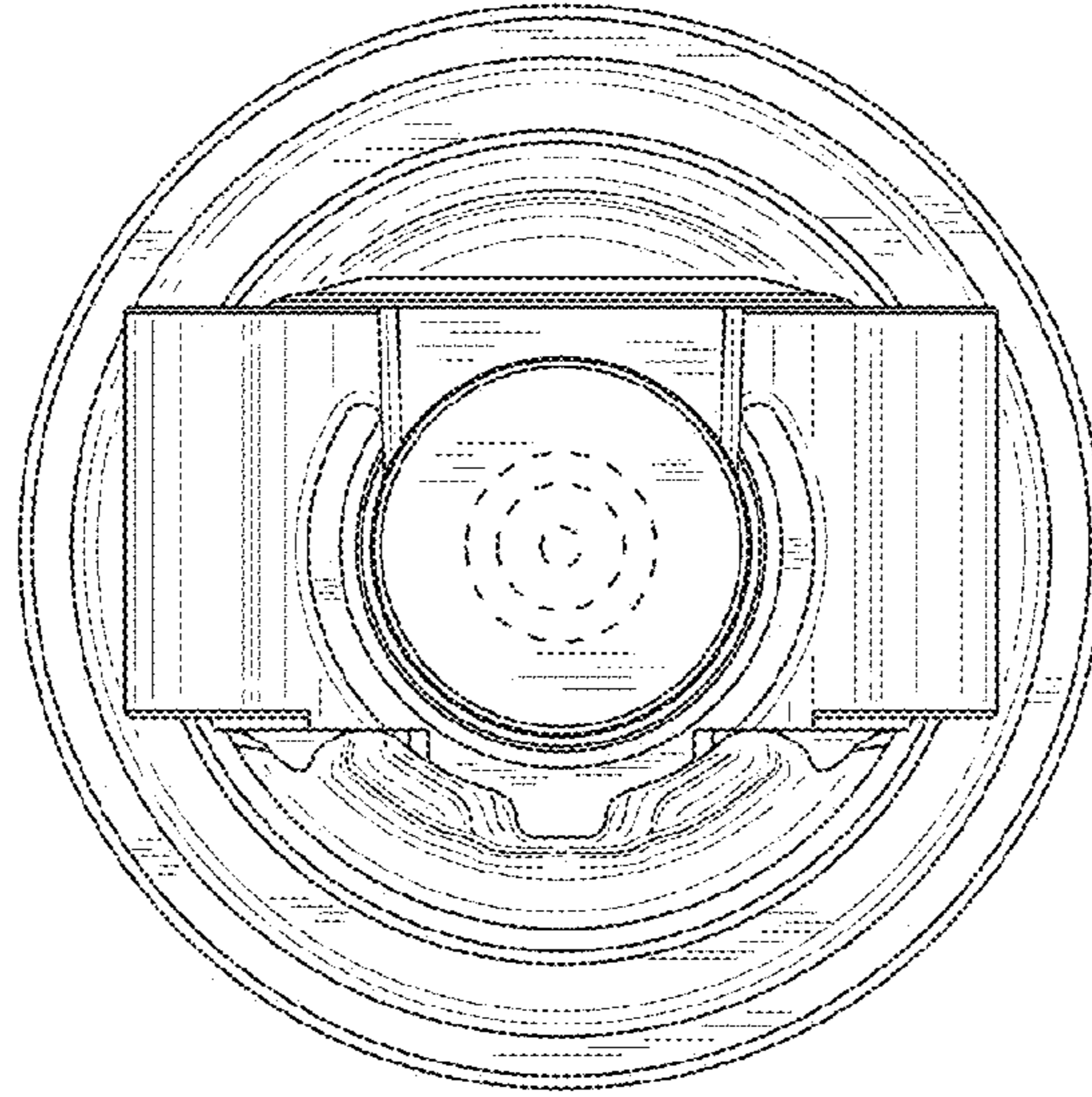


FIG. 11

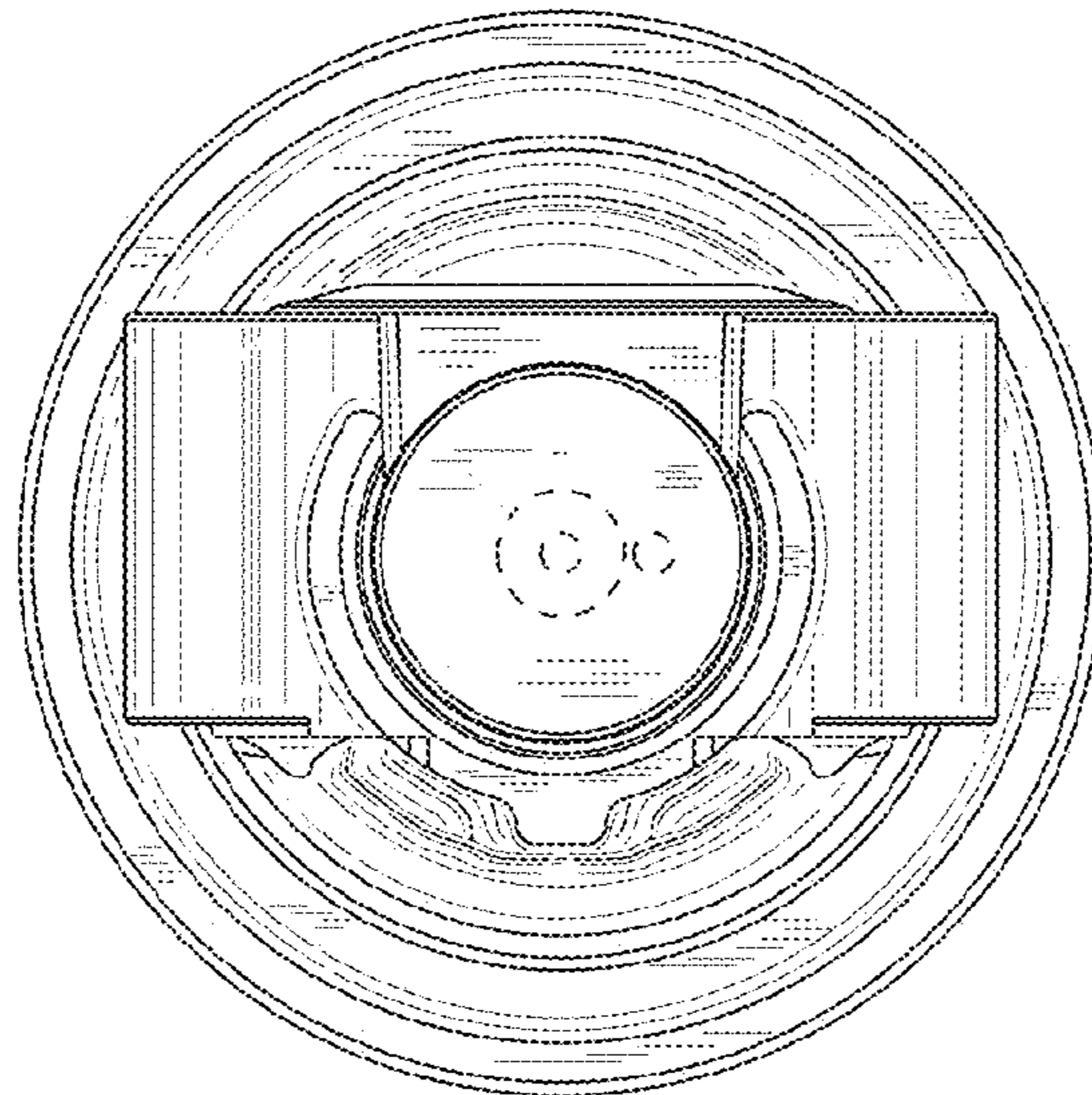


FIG. 12

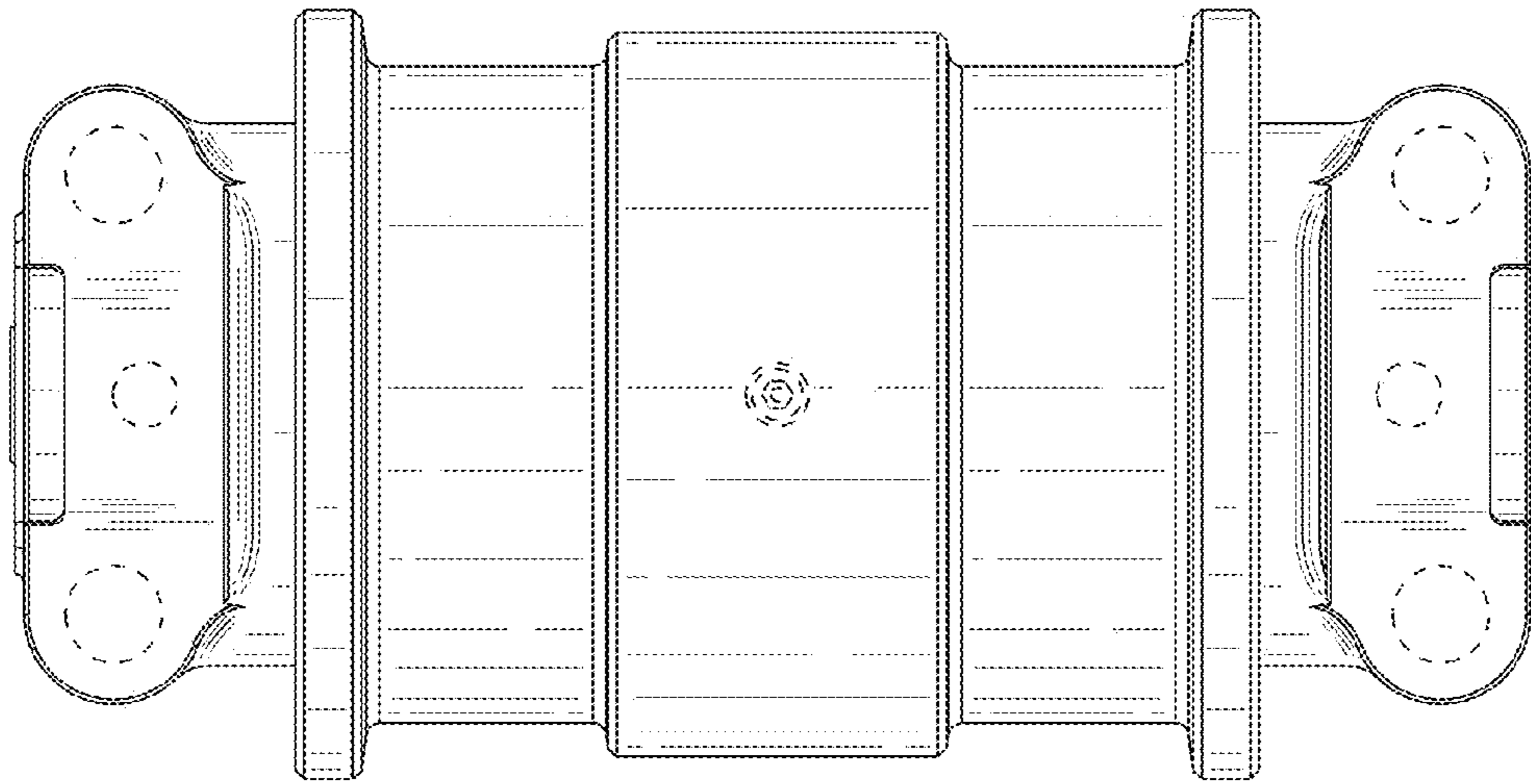


FIG. 13

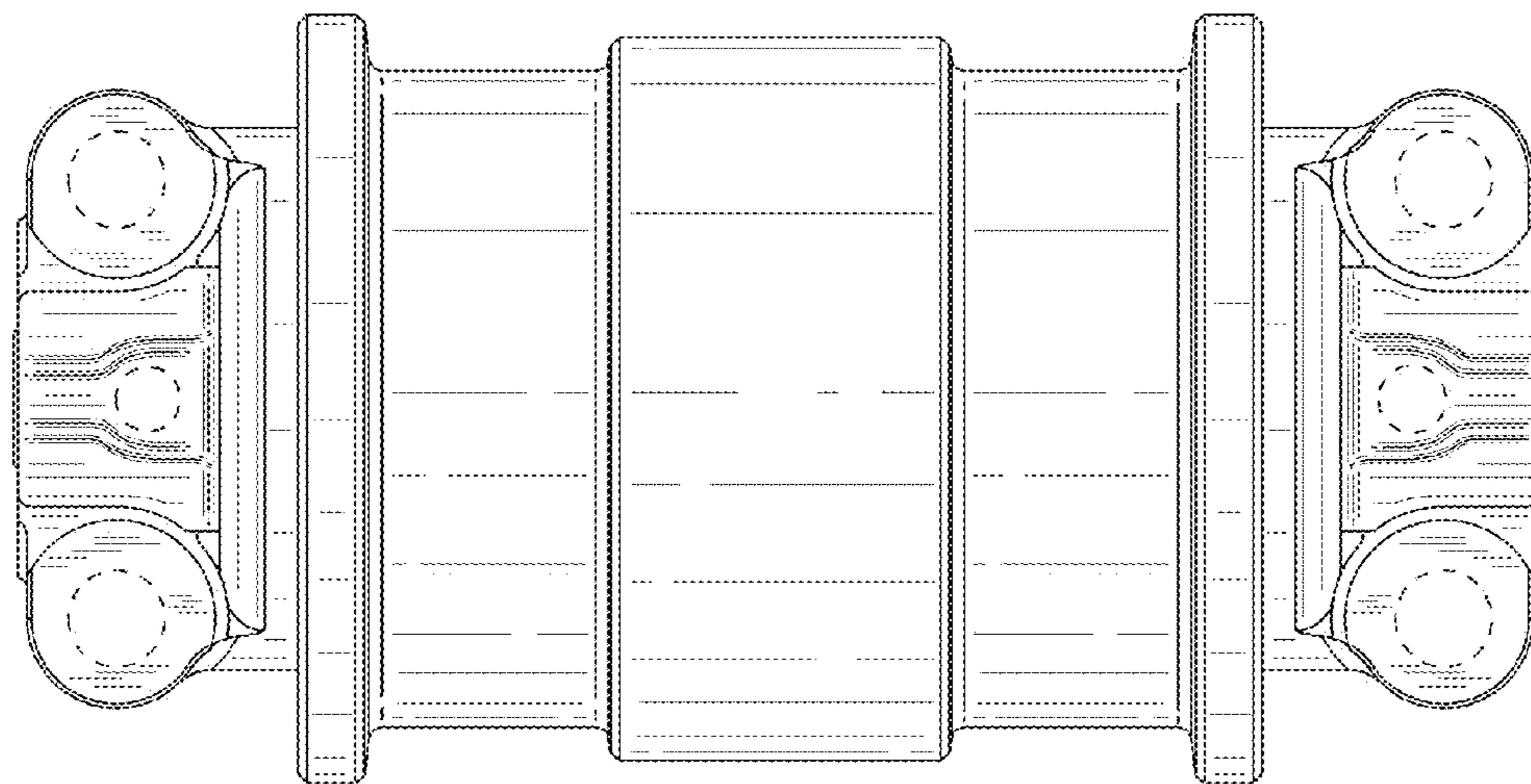


FIG. 14