

US00D727966S

(12) **United States Design Patent**
Kim et al.

(10) **Patent No.:** **US D727,966 S**

(45) **Date of Patent:** **** Apr. 28, 2015**

(54) **DISPLAY SCREEN OR PORTION THEREOF WITH ICON**

(56) **References Cited**

U.S. PATENT DOCUMENTS

(71) Applicant: **Samsung Electronics Co., Ltd.**,
Suwon-si (KR)

(72) Inventors: **So-Ra Kim**, Seoul (KR); **Seung-Kyung Lim**, Seoul (KR); **Ji-Hye Myung**,
Yongin-si (KR)

(73) Assignee: **Samsung Electronics Co., Ltd.**,
Suwon-si (KR)

5,995,093	A *	11/1999	Lambourne et al.	715/716
D568,898	S *	5/2008	Byeon	D14/487
D607,888	S *	1/2010	Ahn	D14/485
D638,442	S *	5/2011	Christie et al.	D14/489
8,255,810	B2 *	8/2012	Moore et al.	715/752
8,370,762	B2 *	2/2013	Abbott	715/769
D704,212	S *	5/2014	Dellinger	D14/487
D704,216	S *	5/2014	Dellinger	D14/489
8,780,076	B2 *	7/2014	Ramarao et al.	345/174
2013/0097549	A1 *	4/2013	Park	715/773

OTHER PUBLICATIONS

Iconfactory : Freeware : Litho Extras vol. 1, [online] Released Apr. 5, 2005 [retrieved on Apr. 4, 2007]. Retrieved from the Internet <URL: <http://iconfactory.com/freeware/preview/lit1>>.*

* cited by examiner

Primary Examiner — Karen E Kearney
(74) *Attorney, Agent, or Firm* — NSIP Law

(**) Term: **14 Years**

(21) Appl. No.: **29/456,234**

(22) Filed: **May 29, 2013**

(30) **Foreign Application Priority Data**

Feb. 23, 2013 (KR) 30-2013-0009503

(51) **LOC (10) Cl.** **14-04**

(52) **U.S. Cl.**
USPC **D14/492**

(58) **Field of Classification Search**
CPC .. G06F 3/0481; G06F 3/04817; G06F 3/0482
USPC D14/489-495
See application file for complete search history.

(57) **CLAIM**
The ornamental design for a display screen or portion thereof with icon, as shown and described.

DESCRIPTION

FIG. 1 is a front view of a display screen or portion thereof with icon, showing our new design; and, FIG. 2 is a front view of a second embodiment thereof. The broken line showing of the display screen portion is for the purpose of illustrating environmental structure and forms no part of the claimed design.

1 Claim, 2 Drawing Sheets

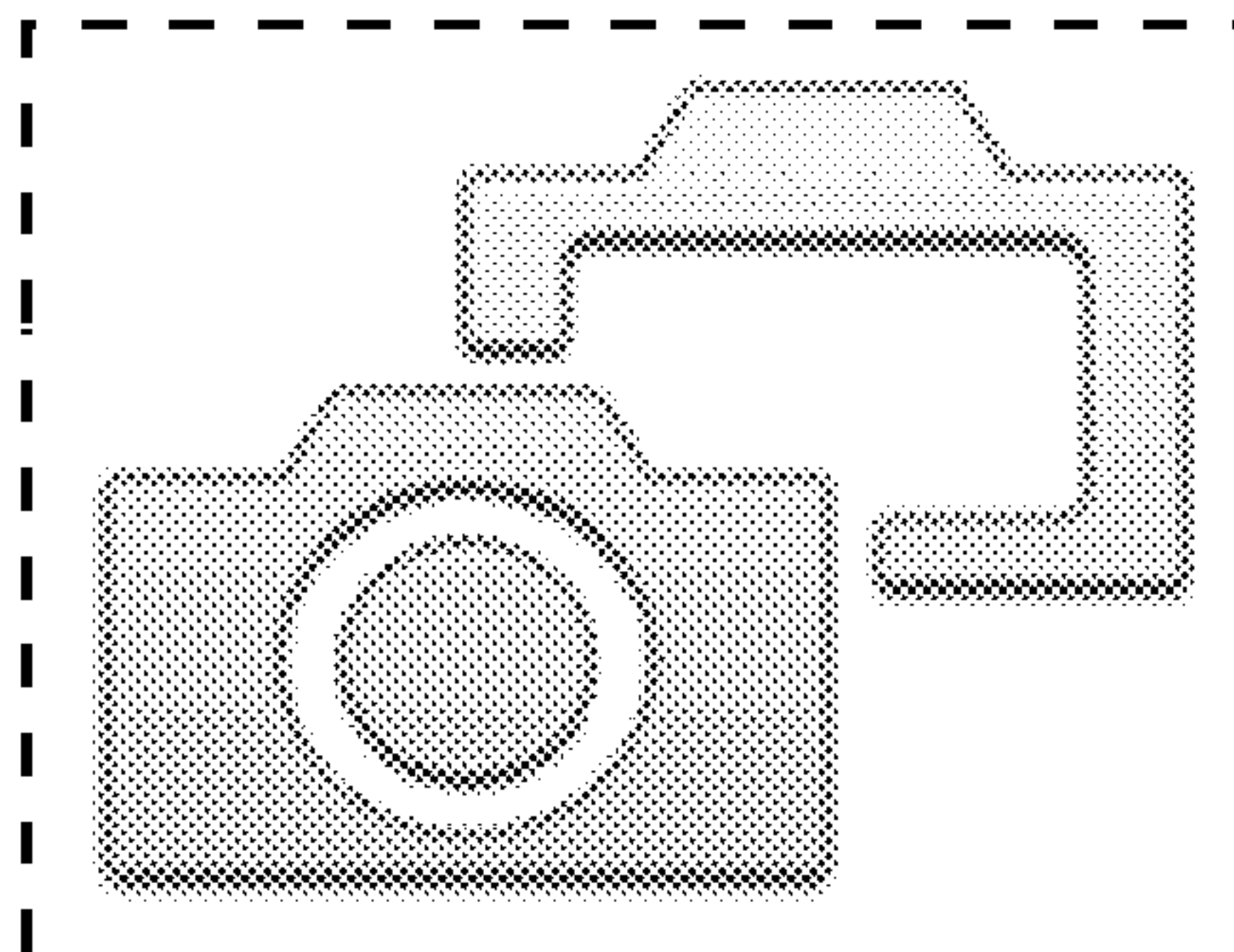
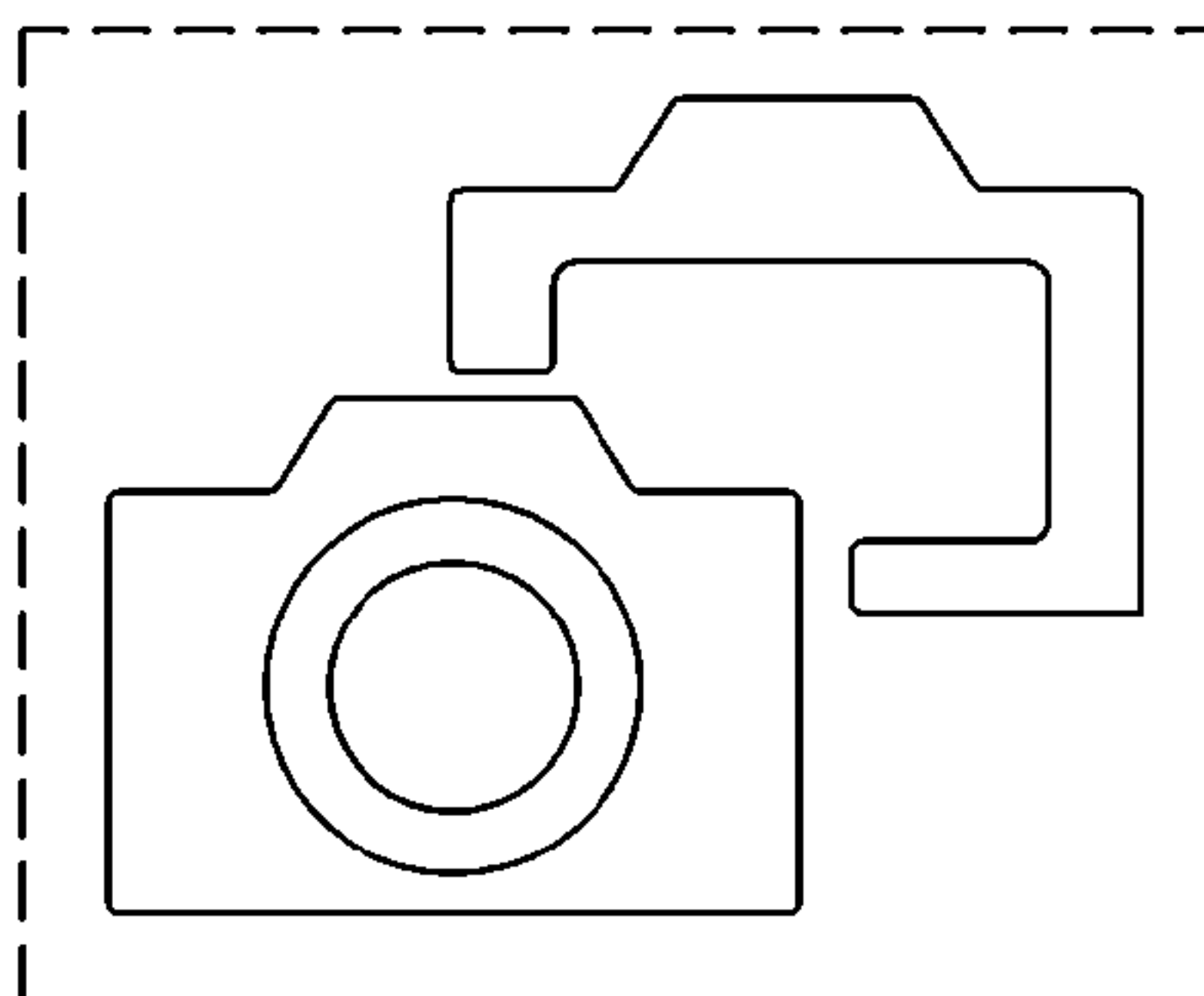


FIG. 1

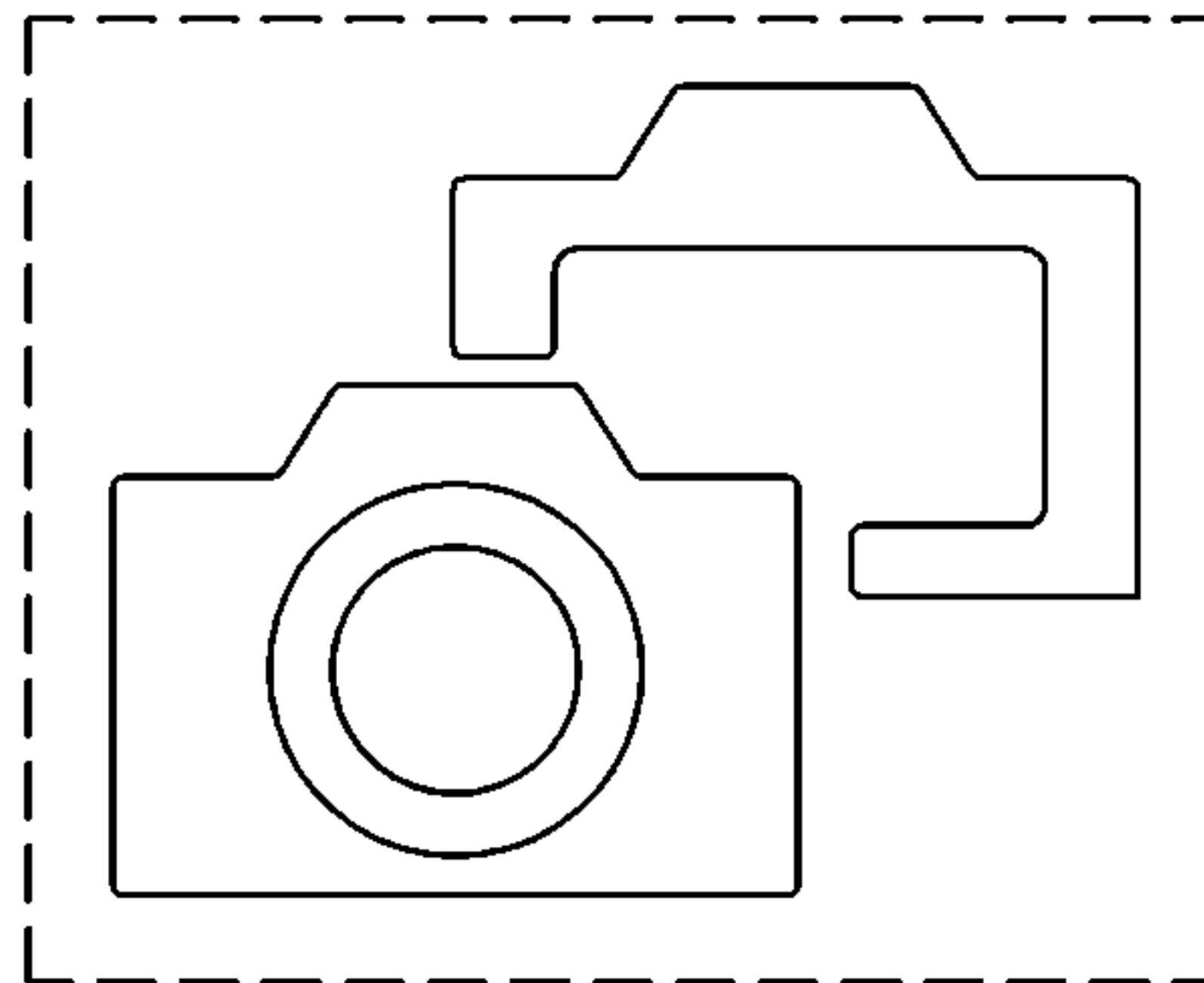


FIG. 2

