



US00D727949S

(12) **United States Design Patent**
Milliotte et al.

(10) **Patent No.:** **US D727,949 S**
(45) **Date of Patent:** **** Apr. 28, 2015**

(54) **DISPLAY SCREEN WITH USER INTERFACE**

(75) Inventors: **Sophie Milliotte**, Seattle, WA (US);
Robert James Burns, Seattle, WA (US);
Jeffrey C. Dunn, Seattle, WA (US)

(73) Assignee: **Microsoft Corporation**, Redmond, WA (US)

(**) Term: **14 Years**

(21) Appl. No.: **29/424,116**

(22) Filed: **Jun. 7, 2012**

(51) **LOC (10) Cl.** **14-04**

(52) **U.S. Cl.**
CPC **G06F 3/04817** (2013.01)
USPC **D14/487**

(58) **Field of Classification Search**
CPC G06F 3/0481-3/0486
USPC D14/485-495; 715/700-867, 973-977
See application file for complete search history.

(56) **References Cited**

U.S. PATENT DOCUMENTS

D392,267 S *	3/1998	Mason et al.	D14/491
D392,269 S *	3/1998	Mason et al.	D14/491
D480,401 S *	10/2003	Kahn et al.	D14/488
D499,740 S *	12/2004	Ombao et al.	D14/487
D523,444 S *	6/2006	Hone et al.	D14/488
D579,944 S *	11/2008	Jeon et al.	D14/485
D585,453 S *	1/2009	Chen et al.	D14/485
D590,416 S *	4/2009	Kochackis	D14/488
D604,314 S *	11/2009	Hoefnagels et al.	D14/487
D604,315 S *	11/2009	Hoefnagels et al.	D14/487
D604,318 S *	11/2009	Hoefnagels et al.	D14/488
D607,468 S *	1/2010	Ho	D14/486
D611,948 S *	3/2010	Rechin et al.	D14/487
D611,949 S *	3/2010	Fletcher et al.	D14/488
D612,393 S *	3/2010	Rechin et al.	D14/487
D619,612 S *	7/2010	Pueyo et al.	D14/487

7,827,490 B2 *	11/2010	Kapur et al.	715/716
D630,649 S *	1/2011	Tokunaga et al.	D14/487
D633,511 S *	3/2011	Cameron et al.	D14/486
D633,515 S *	3/2011	Soegiono et al.	D14/487
D633,516 S *	3/2011	Soegiono et al.	D14/487
D643,045 S *	8/2011	Woo	D14/487
D648,735 S *	11/2011	Arnold et al.	D14/486
D654,505 S *	2/2012	Naranjo et al.	D14/486
D655,299 S *	3/2012	Shallcross et al.	D14/485
D655,303 S *	3/2012	Shallcross et al.	D14/486
D664,979 S *	8/2012	Barcheck et al.	D14/487
D667,839 S *	9/2012	Kriese et al.	D14/487
D669,908 S *	10/2012	Shallcross et al.	D14/486
D669,909 S *	10/2012	Tanghe et al.	D14/486
D670,722 S *	11/2012	Yang et al.	D14/486
D677,269 S *	3/2013	Scott et al.	D14/486
D677,680 S *	3/2013	Edwards et al.	D14/485
D678,301 S *	3/2013	Esterly	D14/485
D682,879 S *	5/2013	Eikenberry et al.	D14/489
D683,738 S *	6/2013	Wujcik et al.	D14/485
D683,758 S *	6/2013	Phelan	D14/489
D684,159 S *	6/2013	Wujcik et al.	D14/485

(Continued)

Primary Examiner — Richard E Chilcot

(74) *Attorney, Agent, or Firm* — Banner & Witcoff, Ltd.

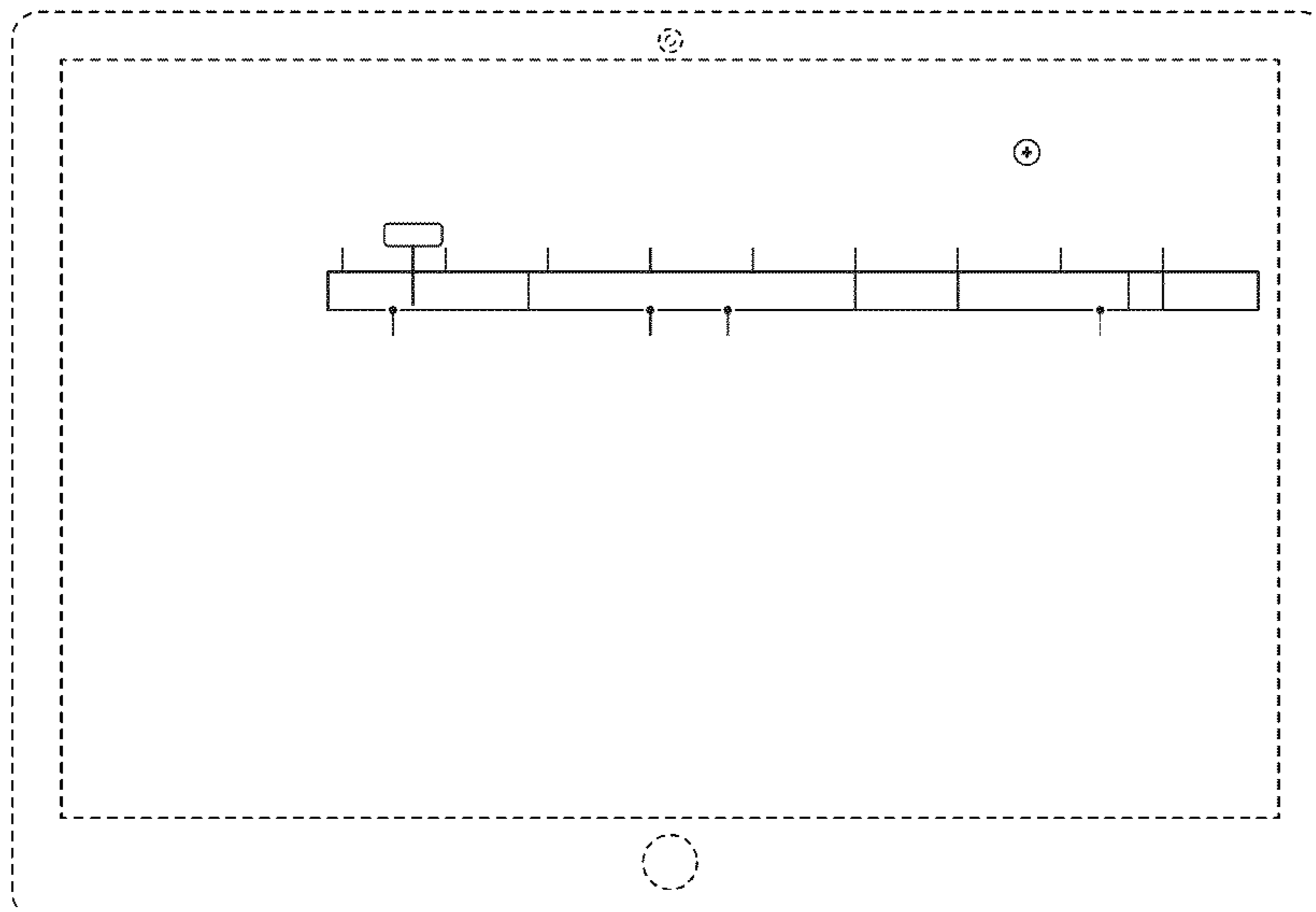
(57) **CLAIM**

The ornamental design for a display screen with user interface, as shown and described.

DESCRIPTION

FIG. 1 is a front view of a display screen with user interface showing our new design;
FIG. 2 is a front view of a display screen with user interface showing an alternative embodiment of our new design; and,
FIG. 3 is a front view of a display screen with user interface showing another alternative embodiment of our new design. The broken line showing of the remainder of the user interface and display screen is for environmental purposes only and forms no part of the claimed design.

1 Claim, 3 Drawing Sheets



(56)

References Cited

U.S. PATENT DOCUMENTS

D684,161 S *	6/2013	Truelove et al.	D14/485	D702,705 S *	4/2014	Santos et al.	D14/487
D684,589 S *	6/2013	Talbot et al.	D14/486	D703,226 S *	4/2014	Carter et al.	D14/487
D691,155 S *	10/2013	Talbot et al.	D14/485	D708,198 S *	7/2014	Pasceri et al.	D14/486
D692,906 S *	11/2013	Coudron	D14/486	D708,204 S *	7/2014	Pasceri et al.	D14/487
D696,285 S *	12/2013	Hally	D14/487	D712,418 S *	9/2014	Talbot et al.	D14/486
D698,811 S *	2/2014	Vassigh et al.	D14/488	D714,809 S *	10/2014	Talbot et al.	D14/485
D702,249 S *	4/2014	Edwards et al.	D14/487	D717,333 S *	11/2014	Shallcross et al.	D14/487
D702,702 S *	4/2014	Carter et al.	D14/487	D718,326 S *	11/2014	Baca Del Rosario	
D702,703 S *	4/2014	Carter et al.	D14/487			et al.	D14/486
D702,704 S *	4/2014	Santos et al.	D14/487	D719,187 S *	12/2014	Arnold et al.	D14/488
				2004/0135809 A1 *	7/2004	Lehman	345/767
				2009/0199093 A1 *	8/2009	Chakravarty	715/273
				2010/0039400 A1 *	2/2010	Jang	345/173

* cited by examiner

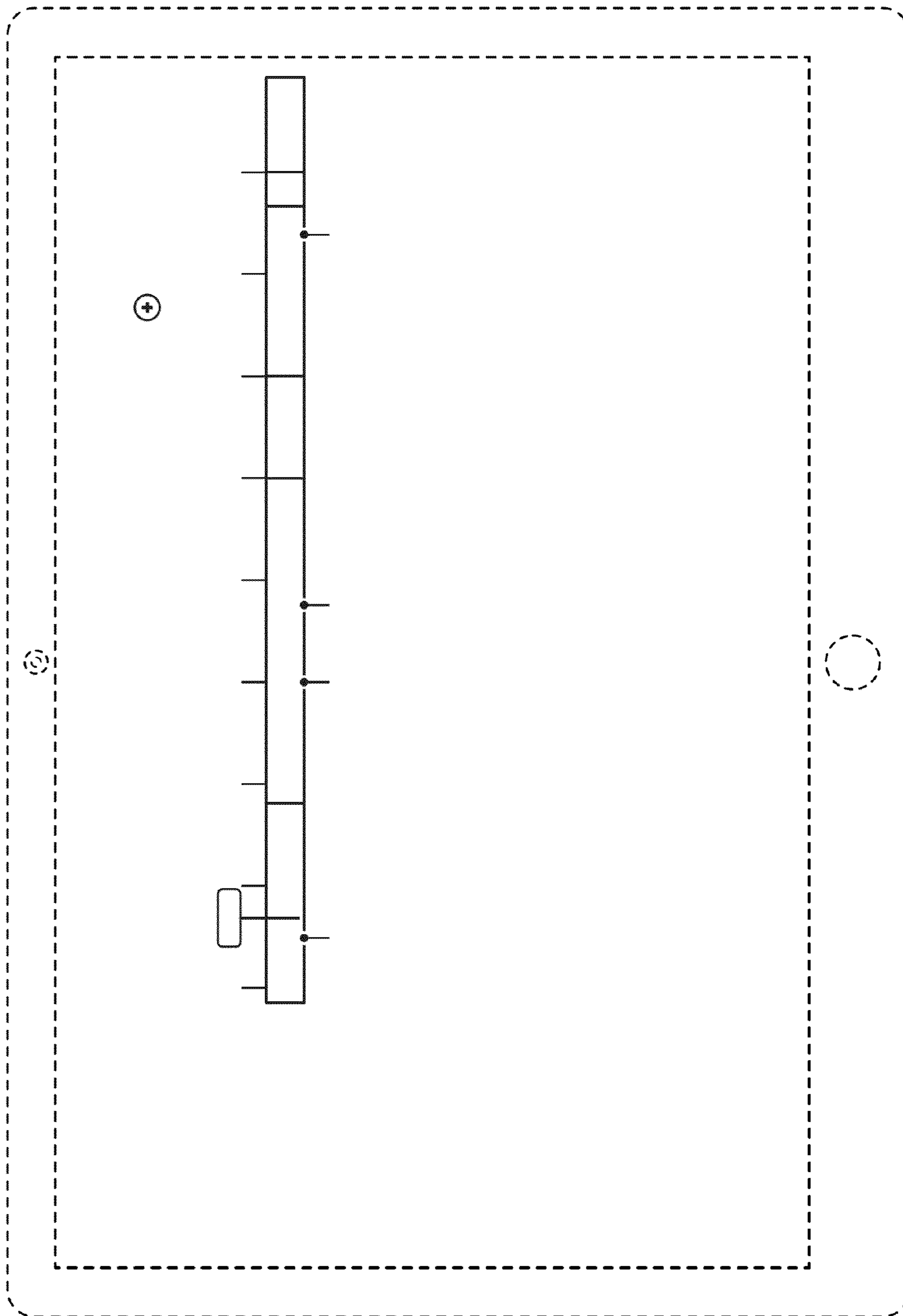


FIG. 1

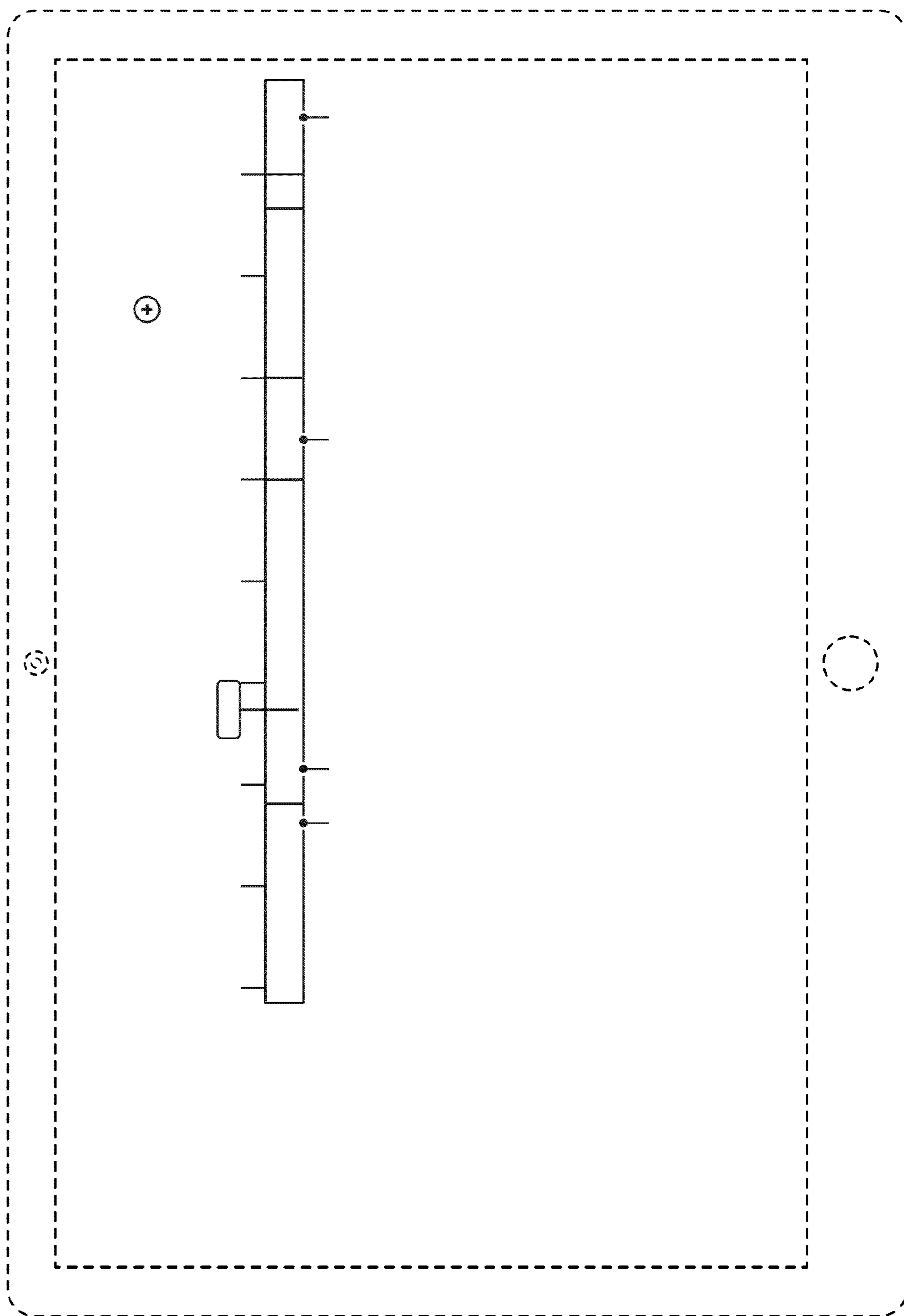


FIG. 2

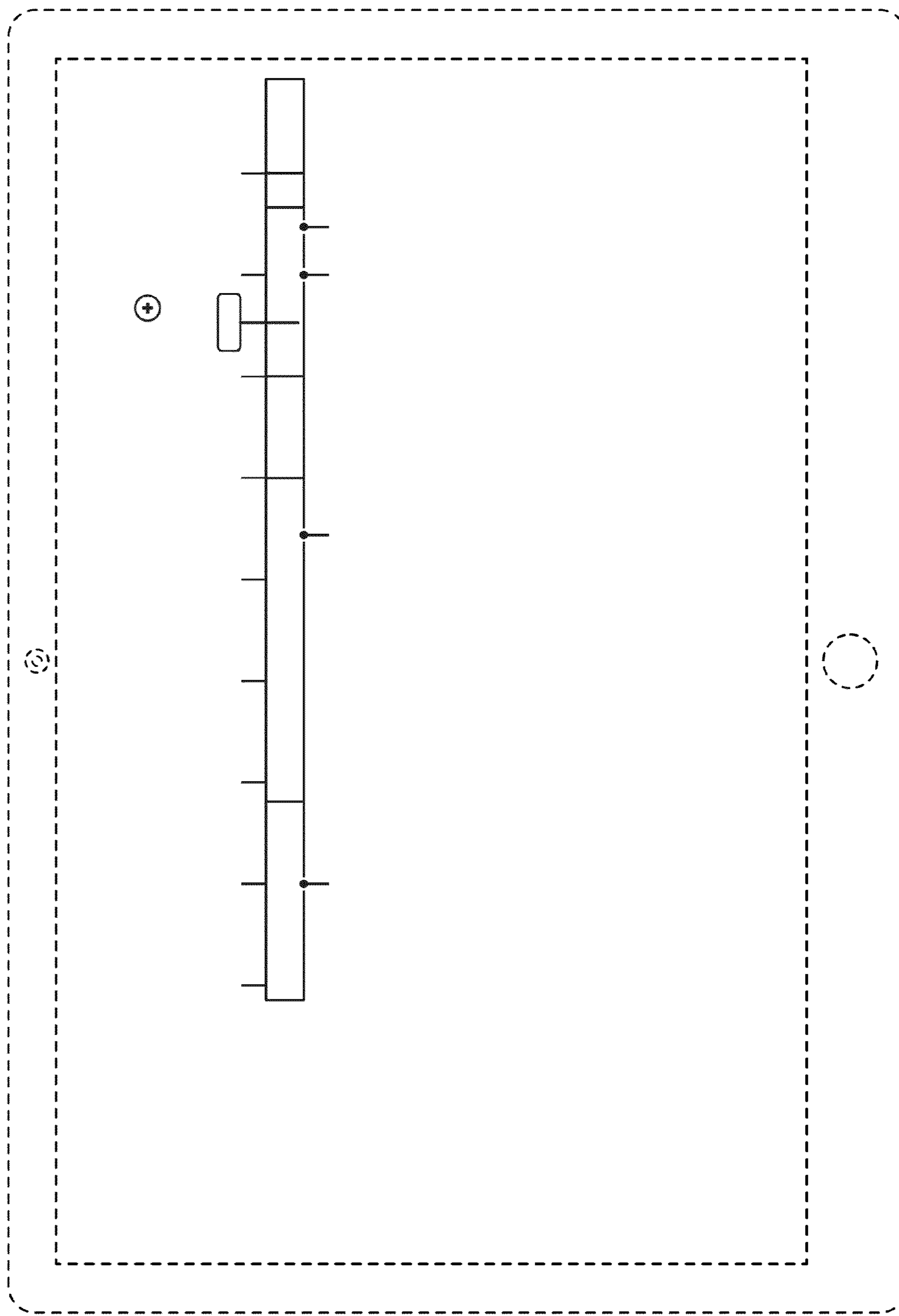


FIG. 3