



US00D727928S

(12) **United States Design Patent**
Allison et al.

(10) **Patent No.:** **US D727,928 S**
(45) **Date of Patent:** **** Apr. 28, 2015**

(54) **DISPLAY SCREEN WITH ANIMATED USER INTERFACE**

(71) Applicants: **G. Austin Allison**, Cincinnati, OH (US);
Justin Y. Hu, Talmage, CA (US);
Christian Damián Calviño, Buenos Aires (AR)

(72) Inventors: **G. Austin Allison**, Cincinnati, OH (US);
Justin Y. Hu, Talmage, CA (US);
Christian Damián Calviño, Buenos Aires (AR)

(73) Assignee: **dotloop, Inc.**, Cincinnati, OH (US)

(**) Term: **14 Years**

(21) Appl. No.: **29/445,763**

(22) Filed: **Feb. 15, 2013**

(51) **LOC (10) Cl.** **14-04**

(52) **U.S. Cl.**
USPC **D14/485**

(58) **Field of Classification Search**
CPC G06F 15/00; G06F 3/048; G06F 3/0481;
G06F 3/04817; G06F 3/0482
USPC D14/485-495
See application file for complete search history.

(56) **References Cited**

U.S. PATENT DOCUMENTS

4,747,093	A *	5/1988	Benne et al.	369/280
D321,903	S *	11/1991	Chepaitis	D18/26
5,392,388	A *	2/1995	Gibson	715/837
5,526,341	A *	6/1996	Shiba et al.	369/275.1
D396,455	S *	7/1998	Bier	D14/489
D474,197	S *	5/2003	Nguyen	D14/486
D477,242	S *	7/2003	Laats	D10/126
D521,019	S *	5/2006	Ording	D14/489
D536,343	S *	2/2007	Fong et al.	D14/489
D544,495	S *	6/2007	Evans et al.	D14/488
D554,660	S *	11/2007	Hoover et al.	D14/487
D554,661	S *	11/2007	Hoover et al.	D14/487
D566,722	S *	4/2008	Jackson	D14/489

D572,726	S *	7/2008	Guimaraes et al.	D14/495
D591,305	S *	4/2009	Shimoda	D14/485
D595,727	S *	7/2009	Koes et al.	D14/485
D599,284	S *	9/2009	Misumi	D12/605
D599,814	S *	9/2009	Ogura et al.	D14/489
D601,159	S *	9/2009	Truelove et al.	D14/489
7,692,635	B2 *	4/2010	Iwamura	345/172
D615,551	S *	5/2010	Arnell	D14/490
D619,593	S *	7/2010	Fujioka et al.	D14/485
D624,557	S *	9/2010	Allen et al.	D14/488
D643,047	S *	8/2011	Guss et al.	D14/495
D644,243	S *	8/2011	Matas	D14/489
D644,654	S *	9/2011	Maitlen et al.	D14/488
D650,790	S *	12/2011	Jeans et al.	D14/488
D650,807	S *	12/2011	Impas et al.	D14/495
D652,426	S *	1/2012	Anzures	D14/488
D654,925	S *	2/2012	Nishizawa et al.	D14/488
D656,954	S *	4/2012	Arnold et al.	D14/489
8,151,209	B2 *	4/2012	Law et al.	715/773

(Continued)

Primary Examiner — Kevin Rudzinski

(74) *Attorney, Agent, or Firm* — Ulmer Berne LLP

(57) **CLAIM**

The ornamental design for a display screen with animated user interface, as shown and described.

DESCRIPTION

A portion of the disclosure of this patent document contains material to which a claim for copyright is made. The copyright owner has no objection to the reproduction of the patent document or the patent disclosure, as it appears in the U.S. Patent Office records, but reserves all other copyright rights whatsoever.

FIG. 1 is the first image of a sequence for a display screen with animated user interface showing our new design;

FIG. 2 is the second image thereof;

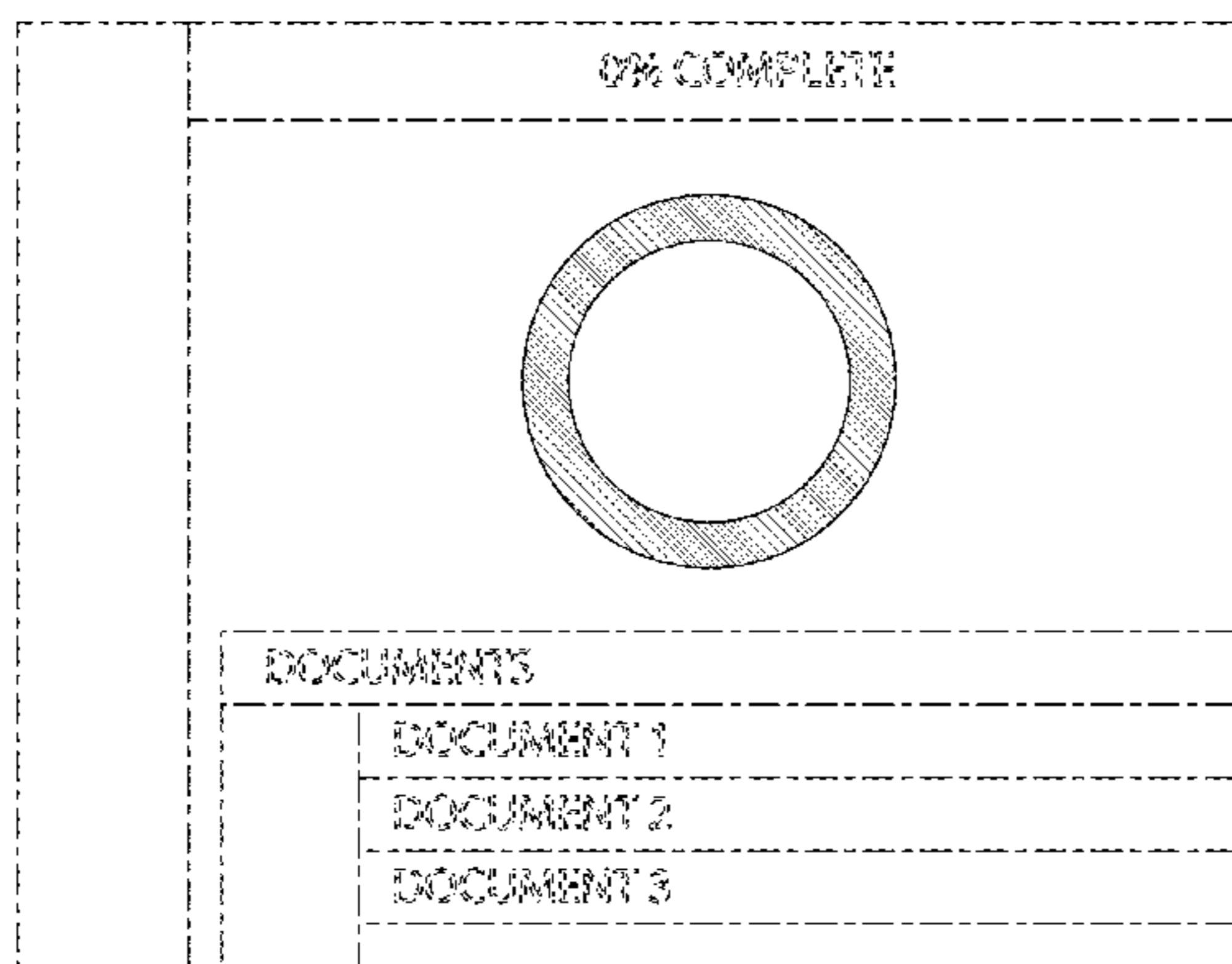
FIG. 3 is the third image thereof;

FIG. 4 is the fourth image thereof; and,

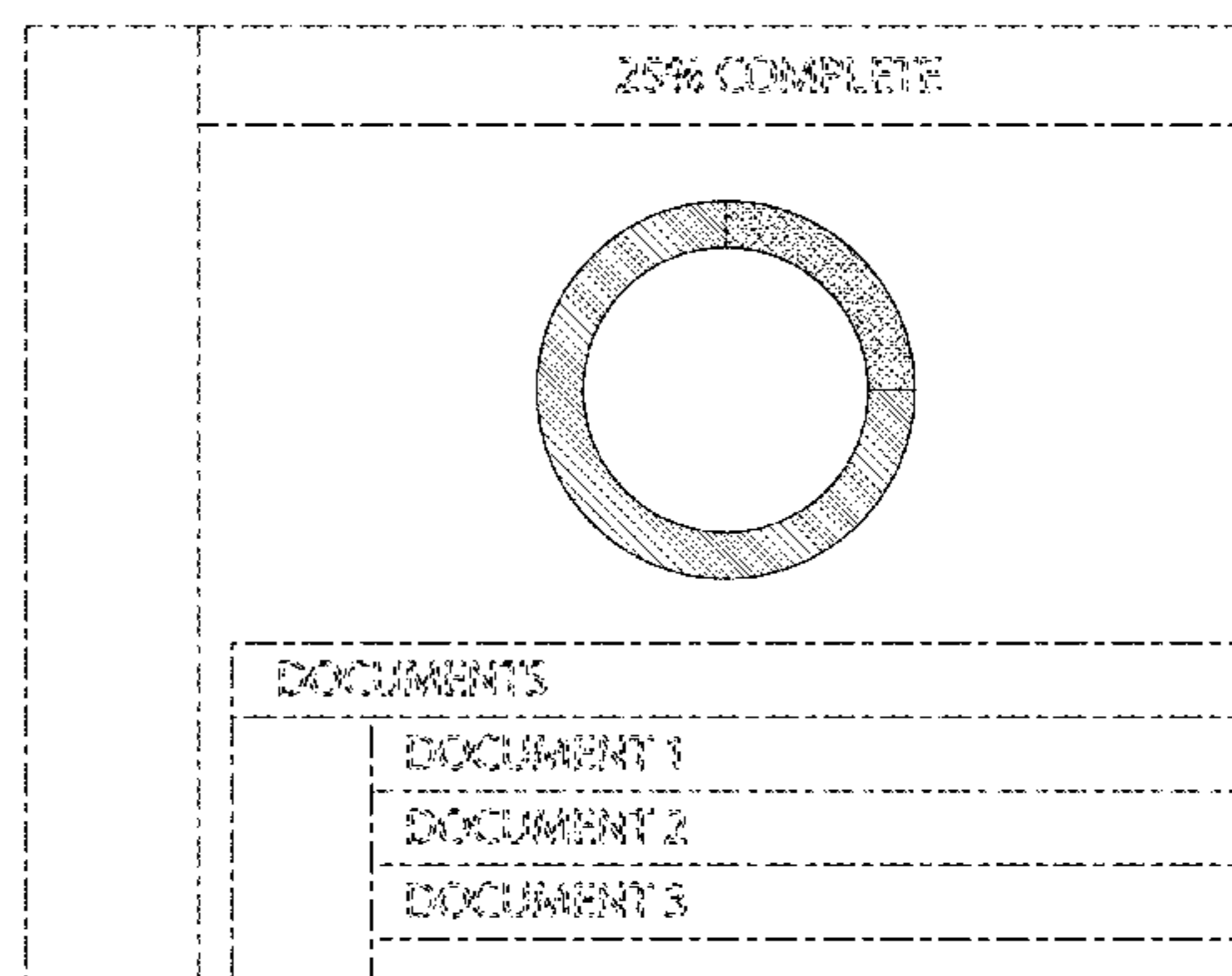
FIG. 5 is the fifth image thereof.

The broken lines shown in the figures illustrate the display screen and portions of the animated user interface and form no part of the claimed design.

1 Claim, 5 Drawing Sheets



© 2013 dotloop, Inc.



© 2013 dotloop, Inc.

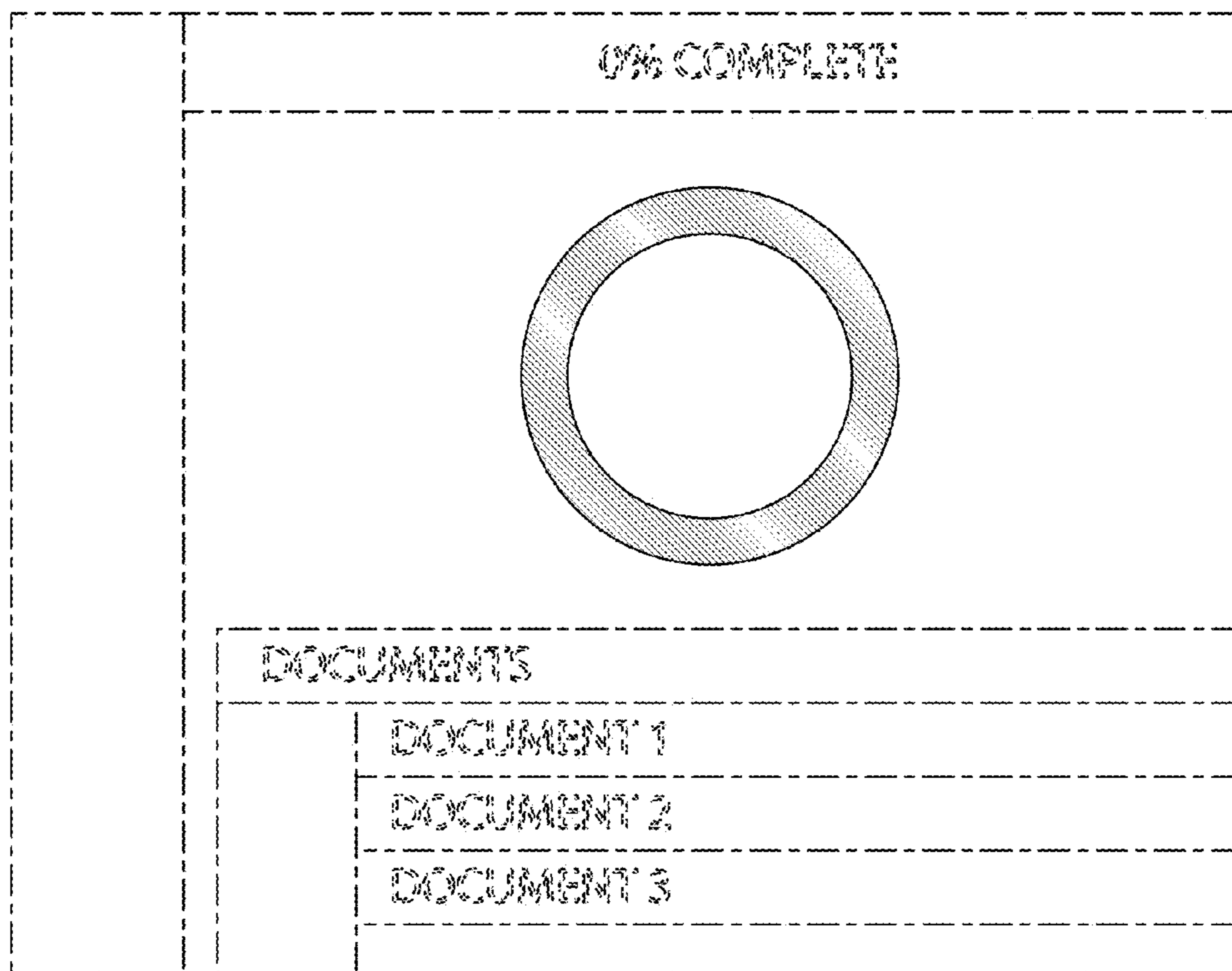
(56)

References Cited

U.S. PATENT DOCUMENTS

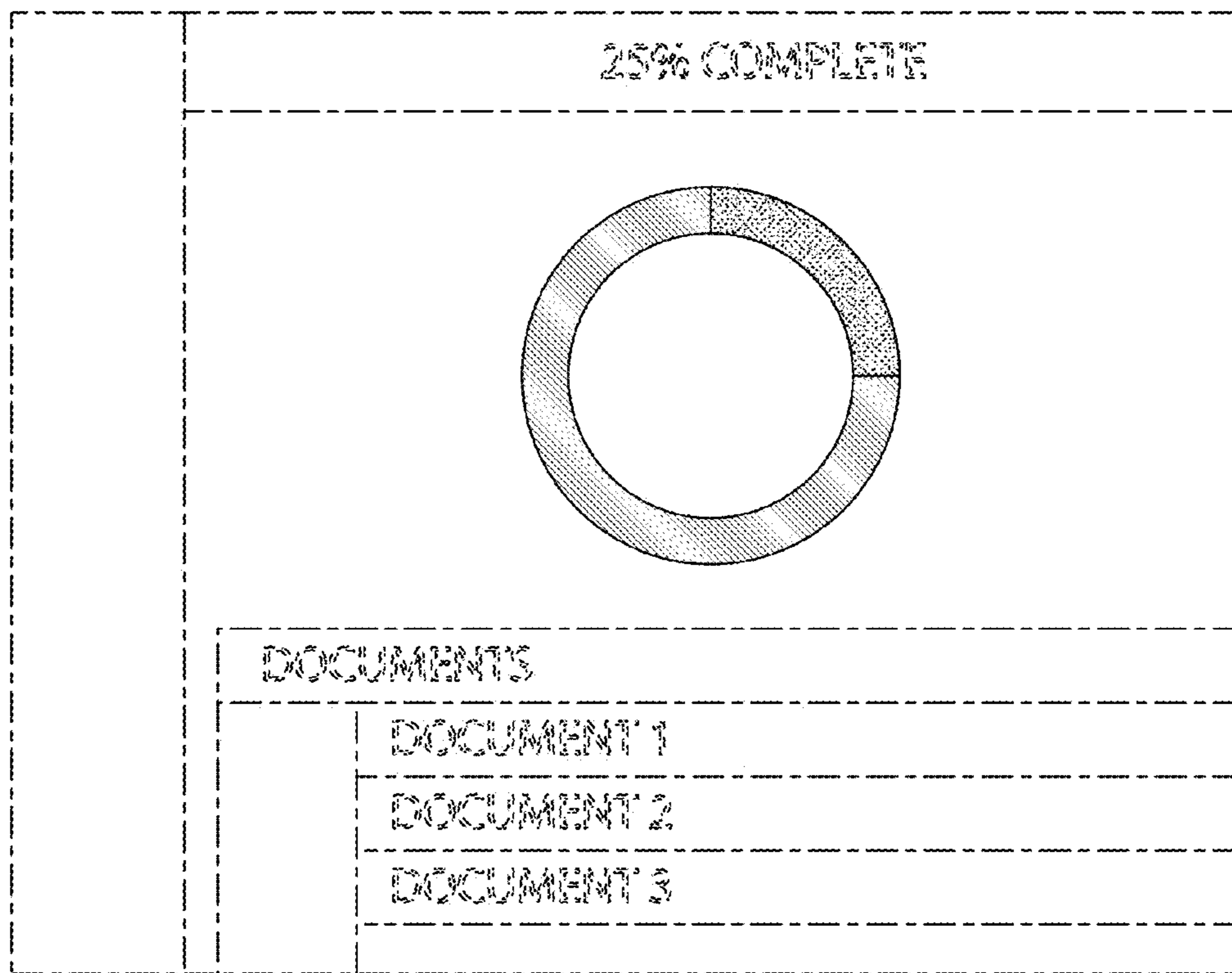
D659,711	S	*	5/2012	Guss et al.	D14/495
D660,317	S	*	5/2012	Jesberger	D14/495
D664,205	S	*	7/2012	Xu et al.	D20/23
D665,161	S	*	8/2012	Leifeld et al.	D3/203.2
D665,162	S	*	8/2012	Leifeld et al.	D3/203.2
D665,163	S	*	8/2012	Leifeld et al.	D3/203.2
D665,421	S	*	8/2012	Morrow et al.	D14/492
D667,429	S	*	9/2012	Wujcik et al.	D14/489
D669,497	S	*	10/2012	Lee et al.	D14/489
D669,499	S	*	10/2012	Gardner et al.	D14/495
D671,558	S	*	11/2012	Anzures et al.	D14/489
D676,060	S	*	2/2013	Frost et al.	D14/490
D676,457	S	*	2/2013	Frost et al.	D14/488
D677,180	S	*	3/2013	Plitkins et al.	D10/50
D682,305	S	*	5/2013	Mierau et al.	D14/488
D682,882	S	*	5/2013	Cahill et al.	D14/495
D683,757	S	*	6/2013	Phelan	D14/489
D684,185	S	*	6/2013	van Dongen et al.	D14/489
D684,990	S	*	6/2013	Walsh	D14/488
D687,046	S	*	7/2013	Plitkins et al.	D14/485
D687,057	S	*	7/2013	Plitkins	D14/488
D687,460	S	*	8/2013	Tyler et al.	D14/489
D687,851	S	*	8/2013	Sloo et al.	D14/487
D689,505	S	*	9/2013	Convay et al.	D14/485
D690,717	S	*	10/2013	Thomsen et al.	D14/485
D690,718	S	*	10/2013	Thomsen et al.	D14/485
D691,629	S	*	10/2013	Matas et al.	D14/488
D692,444	S	*	10/2013	Lee et al.	D14/486
D696,265	S	*	12/2013	d'Amore et al.	D14/485
D697,076	S	*	1/2014	Oda et al.	D14/486
D697,518	S	*	1/2014	Thomsen et al.	D14/485
D697,519	S	*	1/2014	Thomsen et al.	D14/485
D697,935	S	*	1/2014	Lee et al.	D14/486
D698,363	S	*	1/2014	Asai	D14/488
D699,248	S	*	2/2014	Pearson et al.	D14/485
D699,250	S	*	2/2014	Fujii et al.	D14/486
D699,741	S	*	2/2014	Wantland et al.	D14/487
D699,750	S	*	2/2014	Pearson et al.	D14/488
D700,207	S	*	2/2014	Pearson et al.	D14/488
D703,683	S	*	4/2014	Skidgel	D14/486
D704,204	S	*	5/2014	Rydenhag	D14/486
D705,263	S	*	5/2014	Hartley	D14/495
D705,808	S	*	5/2014	Anzures et al.	D14/492
D706,814	S	*	6/2014	Phelan	D14/489
D707,705	S	*	6/2014	Folken et al.	D14/490
D708,203	S	*	7/2014	Johnson	D14/487
D708,221	S	*	7/2014	Danton et al.	D14/492
D708,226	S	*	7/2014	Takata et al.	D14/494
D709,917	S	*	7/2014	Faulkner et al.	D14/494
D711,421	S	*	8/2014	Bautista	D14/490
D715,313	S	*	10/2014	Hontz, Jr.	D14/485
D715,322	S	*	10/2014	Sakata	D14/492
D716,325	S	*	10/2014	Brudnicki	D14/486
D717,334	S	*	11/2014	Sakuma	D14/487
D717,335	S	*	11/2014	Sakuma	D14/487
D717,681	S	*	11/2014	Shail et al.	D10/103
D717,822	S	*	11/2014	Brotman et al.	D14/486
D717,823	S	*	11/2014	Brotman et al.	D14/486
D718,325	S	*	11/2014	Schoger et al.	D14/486
D721,090	S	*	1/2015	Hong et al.	D14/487
D721,093	S	*	1/2015	Pereira	D14/488
2007/0136679	A1	*	6/2007	Yang	715/772
2012/0096383	A1	*	4/2012	Sakamoto et al.	715/772
2013/0096819	A1	*	4/2013	Tarnok	701/428
2013/0185753	A1	*	7/2013	Kliot	725/39

* cited by examiner



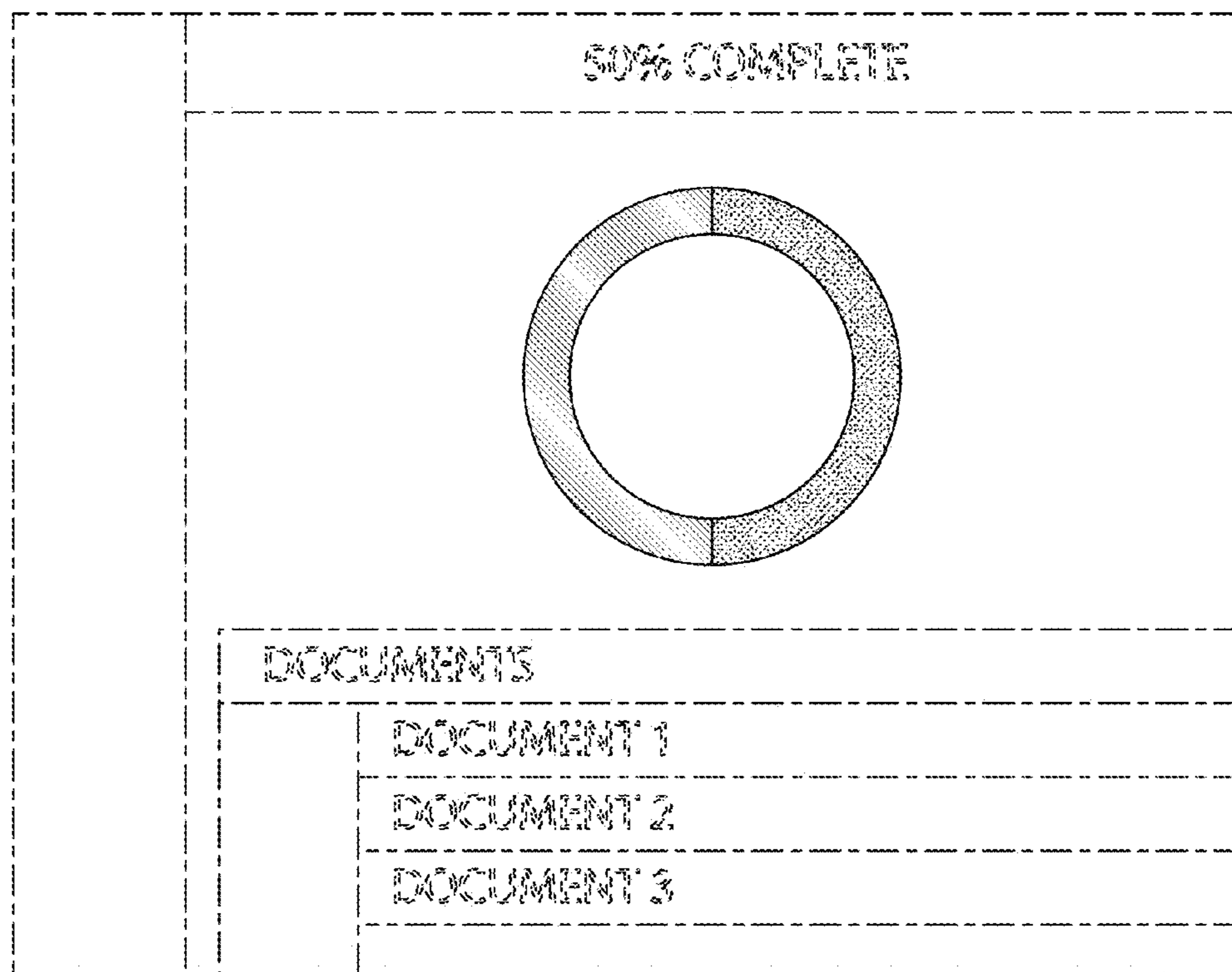
© 2013 dotloop, inc.

FIG. 1



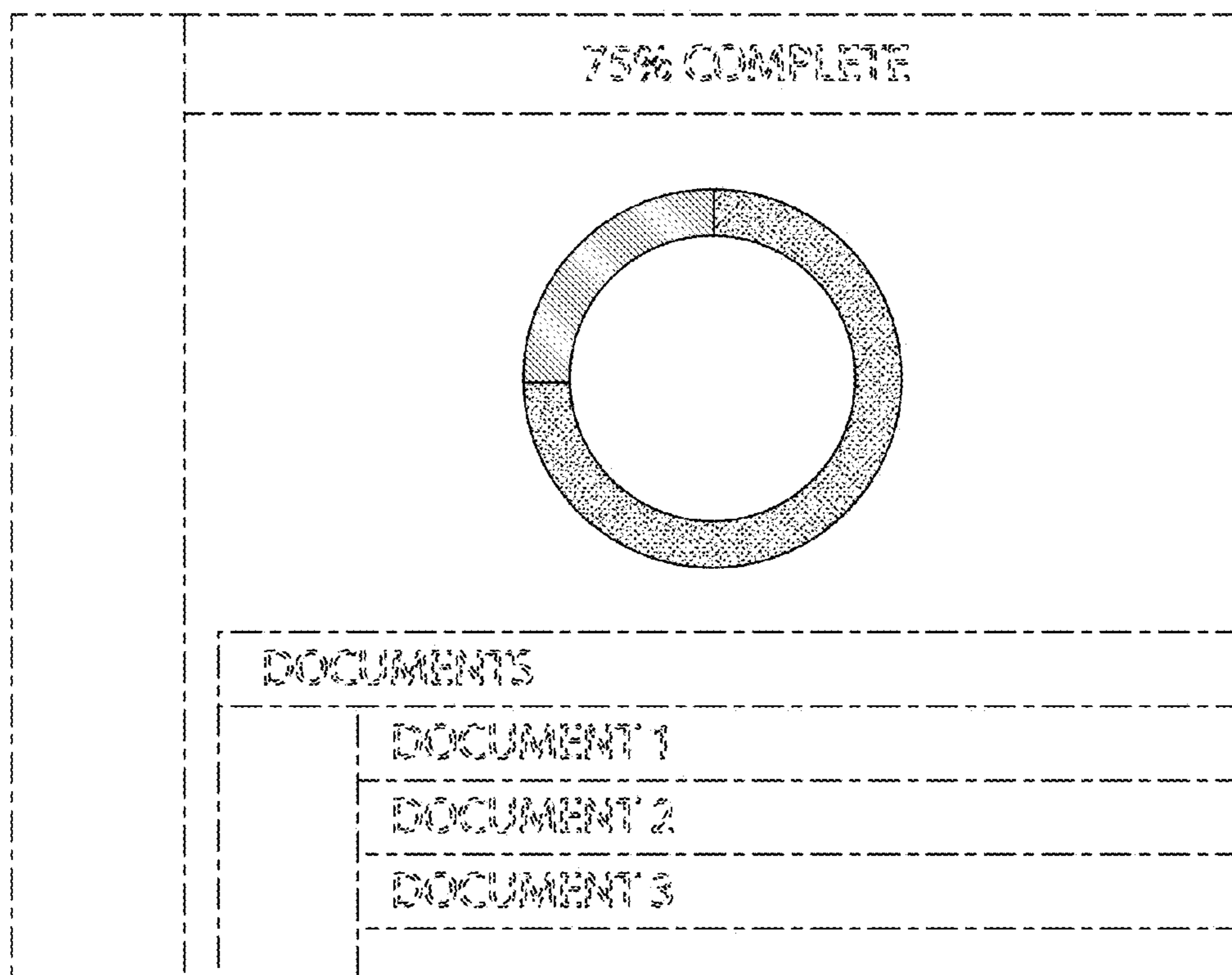
© 2013 dotloop, Inc.

FIG. 2



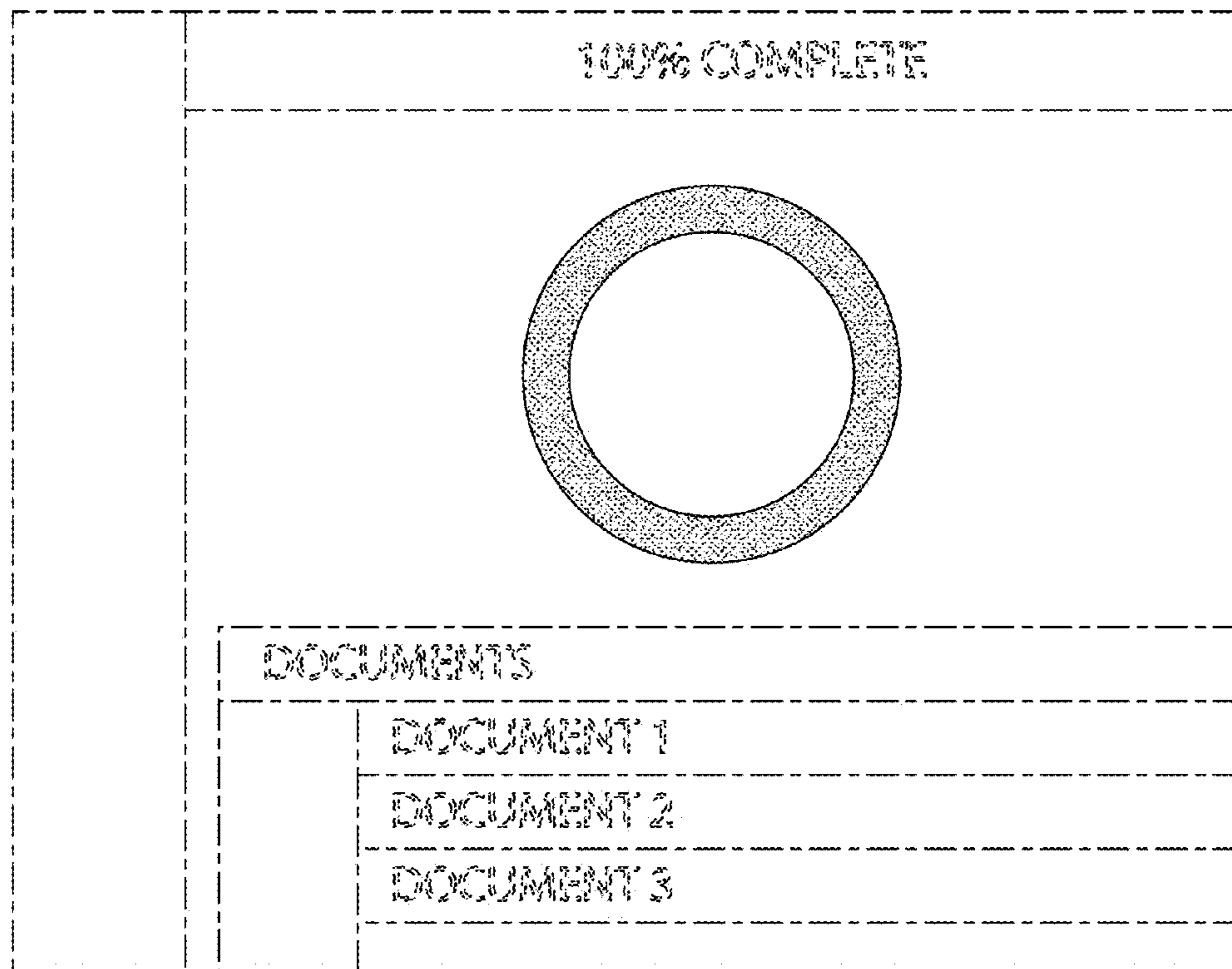
© 2013 dotloop, Inc.

FIG. 3



© 2013 dotloop, Inc.

FIG. 4



© 2013 dotloop, Inc.

FIG. 5