



US00D727923S

(12) **United States Design Patent**
Yum et al.

(10) **Patent No.:** **US D727,923 S**

(45) **Date of Patent:** **** Apr. 28, 2015**

(54) **ALL-IN-ONE COMPUTER**

(56) **References Cited**

(71) Applicant: **Samsung Electronics Co., Ltd.**,
Suwon-si (KR)

U.S. PATENT DOCUMENTS

(72) Inventors: **Sung-Jin Yum**, Seoul (KR); **Ji-Sang Park**, Yongin-si (KR); **Yeo-Wan Yun**,
Seongnam-si (KR)

D548,708	S	*	8/2007	Park et al.	D14/126
D653,254	S	*	1/2012	Lu et al.	D14/374
D683,141	S	*	5/2013	Symons	D6/310
D688,659	S	*	8/2013	Yusef	D14/335
D688,673	S	*	8/2013	Haller	D14/451
2013/0176672	A1	*	7/2013	Richard et al.	361/679.01

(73) Assignee: **Samsung Electronics Co., Ltd.** (KR)

* cited by examiner

(**) Term: **14 Years**

Primary Examiner — Freda S Nunn

(21) Appl. No.: **29/468,850**

(74) *Attorney, Agent, or Firm* — Cantor Colburn LLP

(22) Filed: **Oct. 3, 2013**

(57) **CLAIM**

The ornamental design for an all-in-one computer, as shown and described.

(30) **Foreign Application Priority Data**

DESCRIPTION

Jun. 11, 2013 (KR) 30-2013-0030092

(51) **LOC (10) Cl.** **14-02**

(52) **U.S. Cl.**
USPC **D14/451**

(58) **Field of Classification Search**
USPC D14/371–375, 125–129, 336, 337, 451,
D14/457; 341/12; 345/104, 156, 168, 173;
348/180, 184, 325, 739; 349/1, 2, 11,
349/62; 361/679.05–679.07, 679.21;
D6/300, 308

FIG. 1 is a top front perspective view of an all-in-one computer showing our new design;
FIG. 2 is a front view thereof;
FIG. 3 is a rear view thereof;
FIG. 4 is a left side view thereof;
FIG. 5 is a right side view thereof;
FIG. 6 is a top view thereof;
FIG. 7 is a bottom view thereof; and,
FIG. 8 is a top rear perspective view thereof.

The broken lines illustrating portions of the all-in-one computer are for environmental purposes only and form no part of the claimed design.

See application file for complete search history.

1 Claim, 5 Drawing Sheets

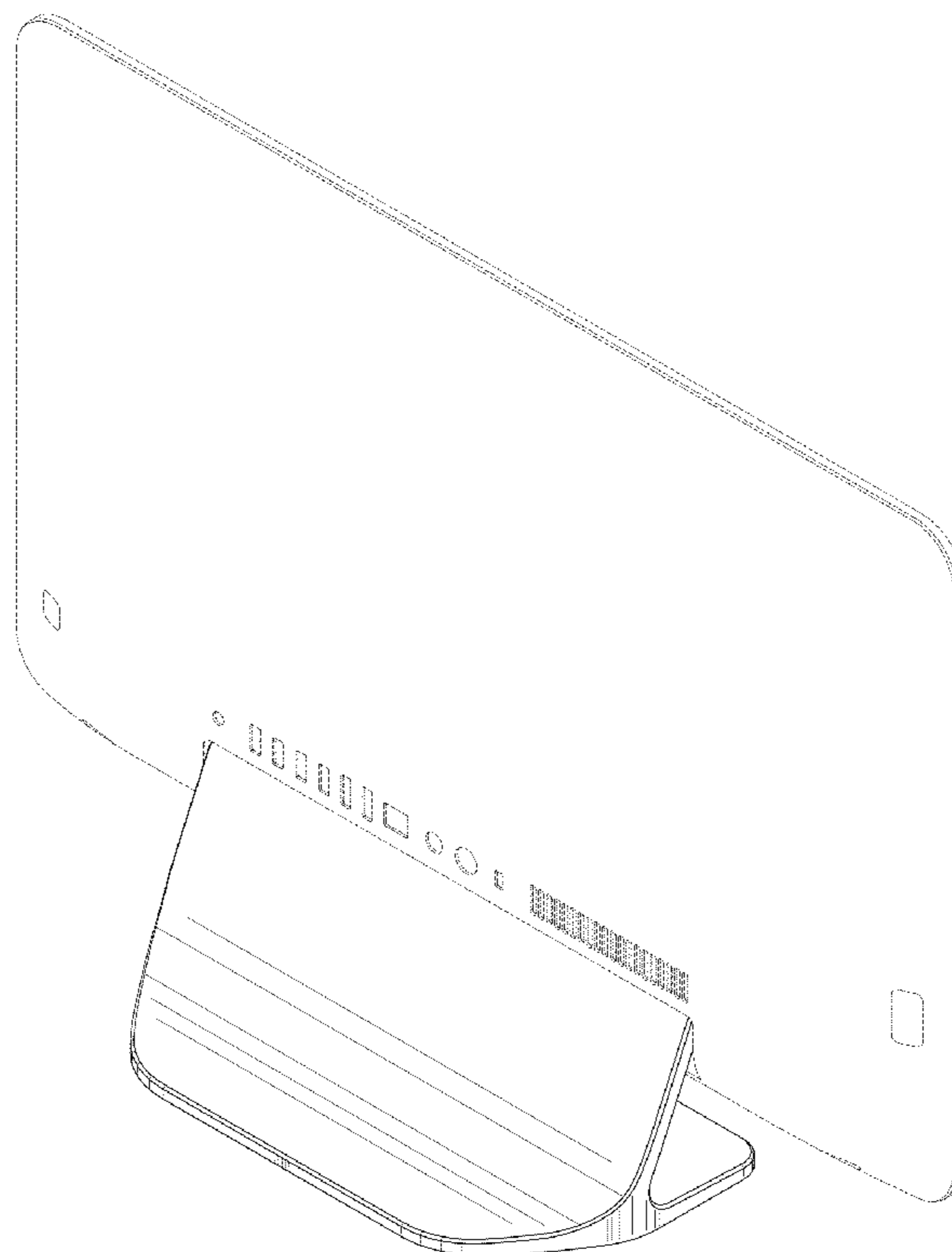


FIG. 1

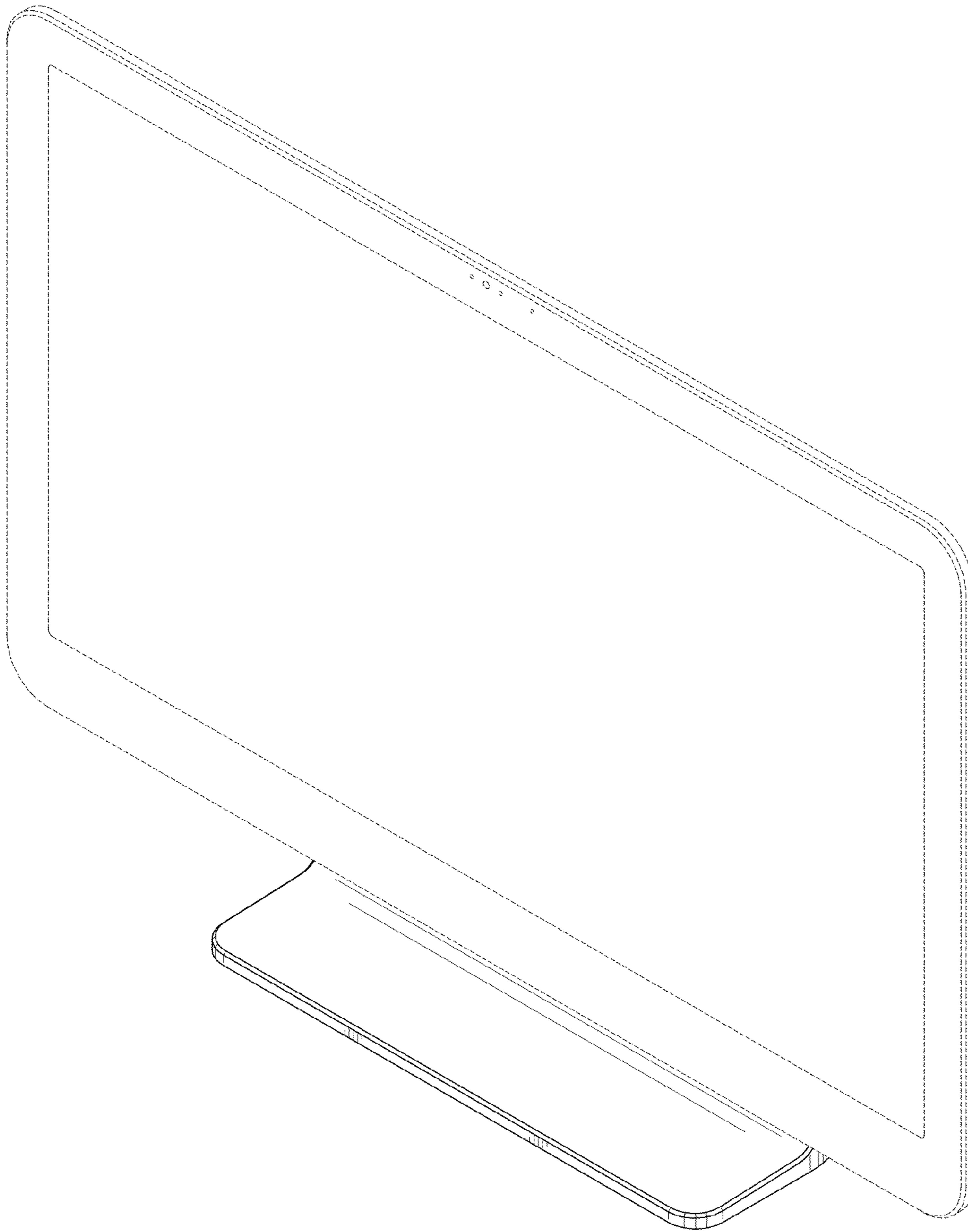


FIG.2

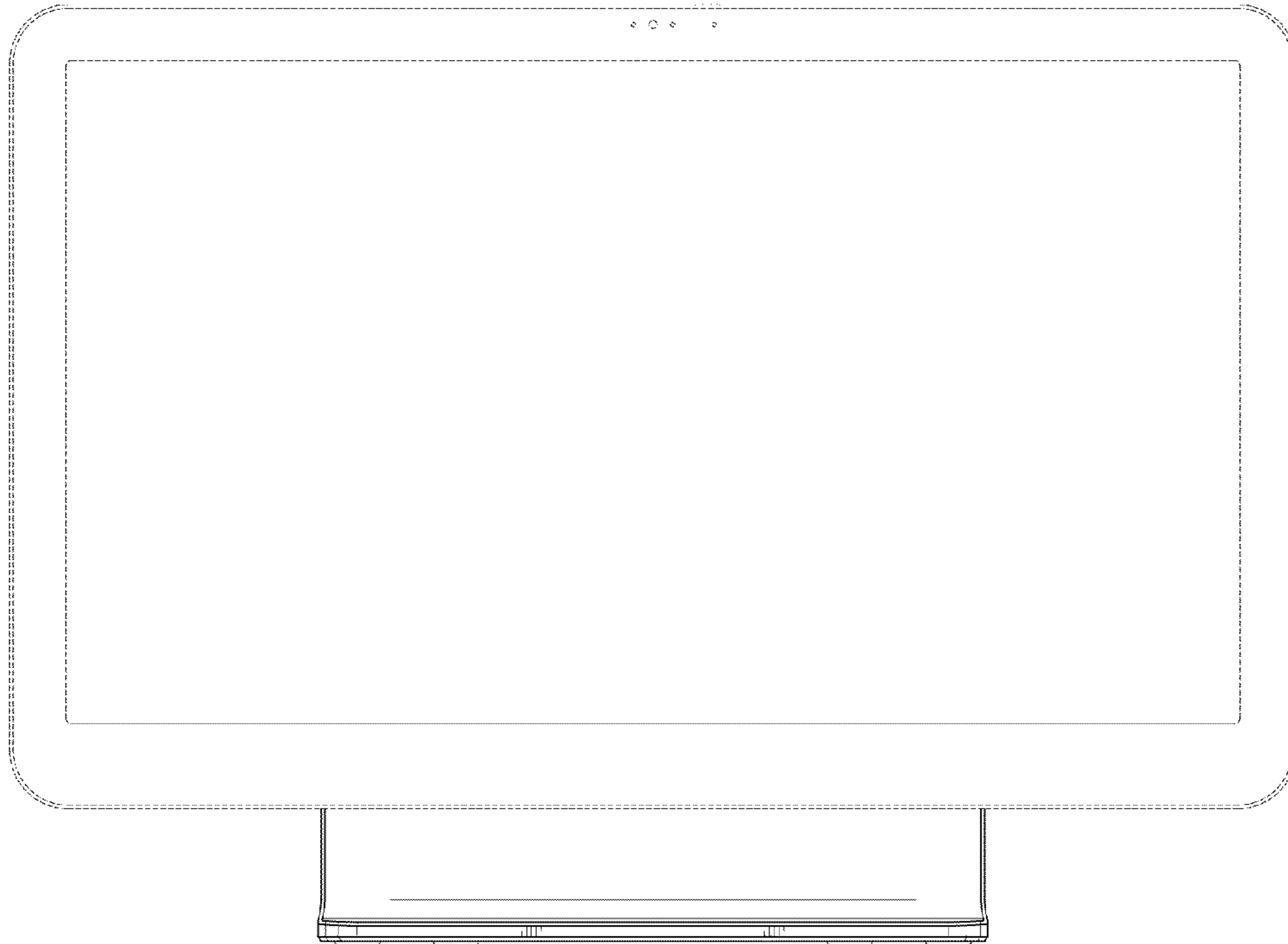


FIG.3

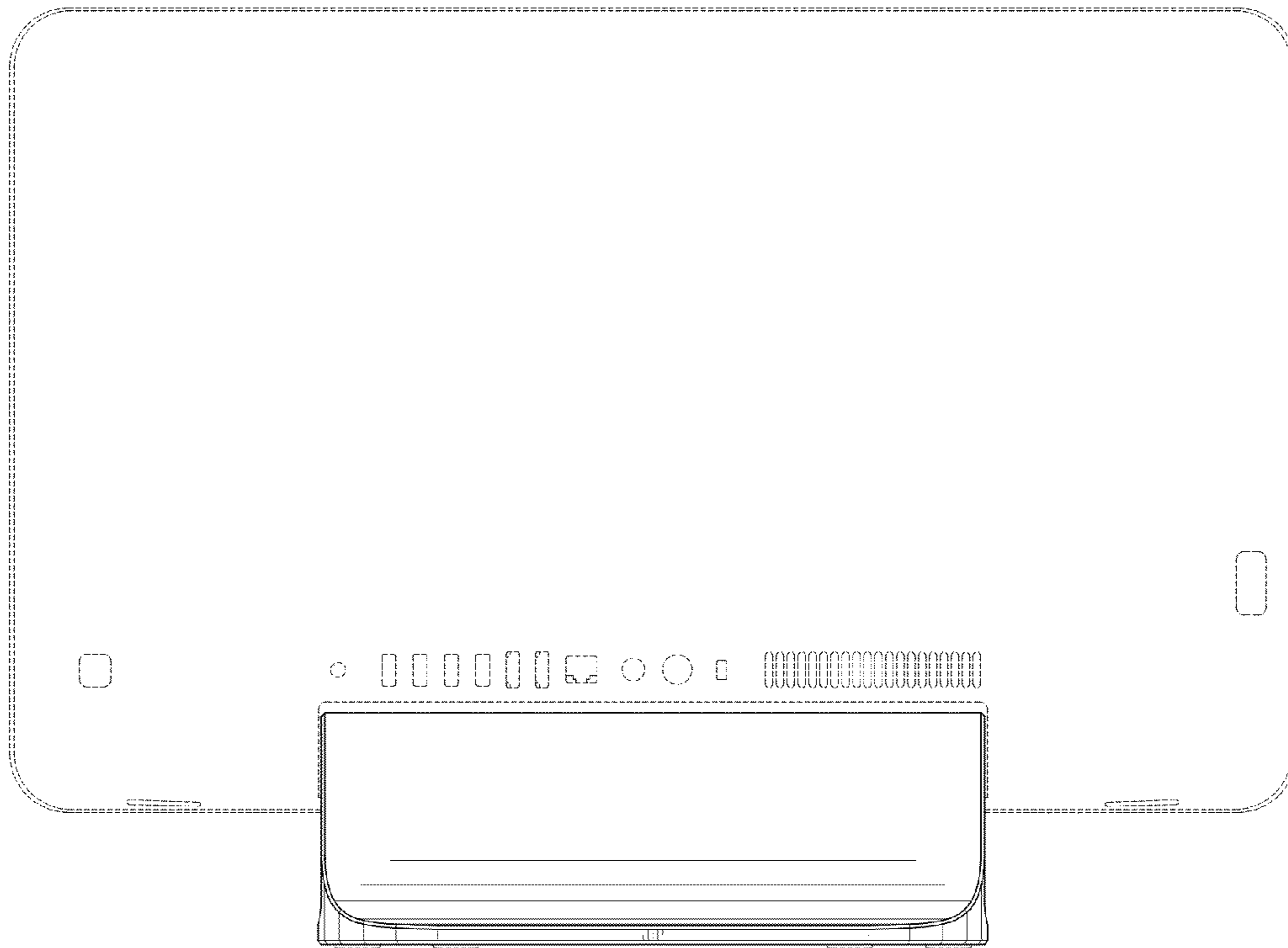


FIG.4

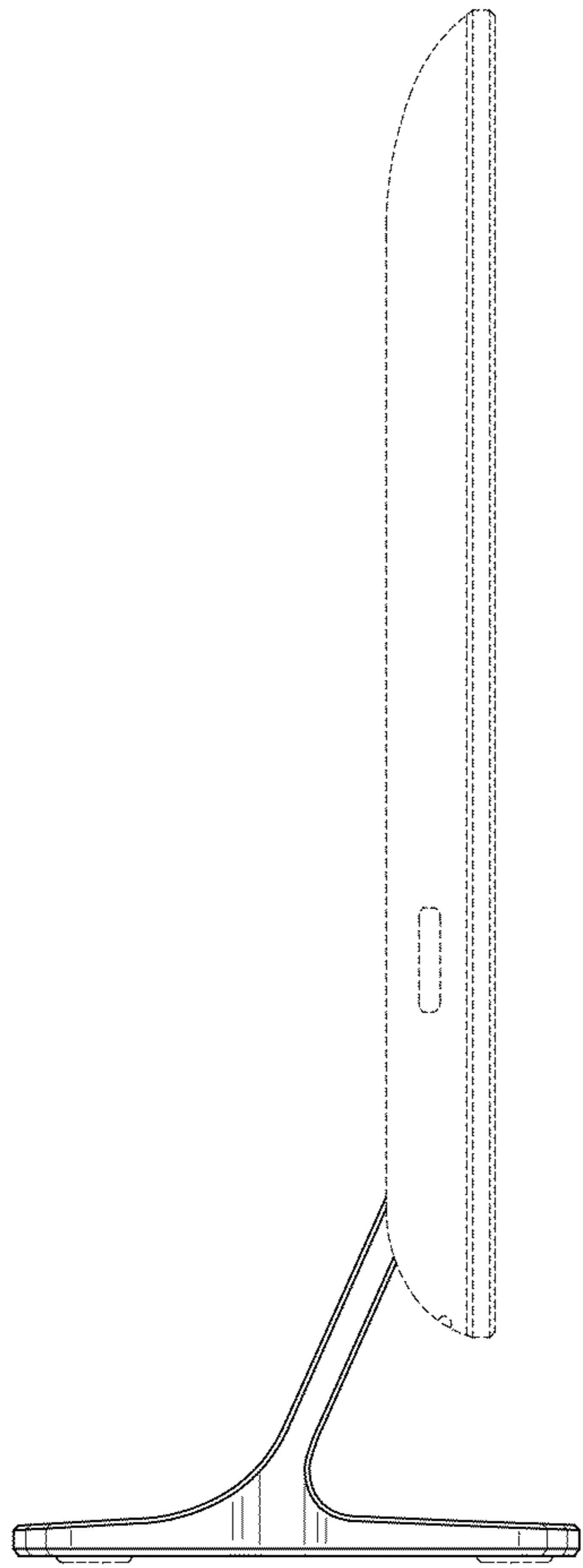


FIG.5

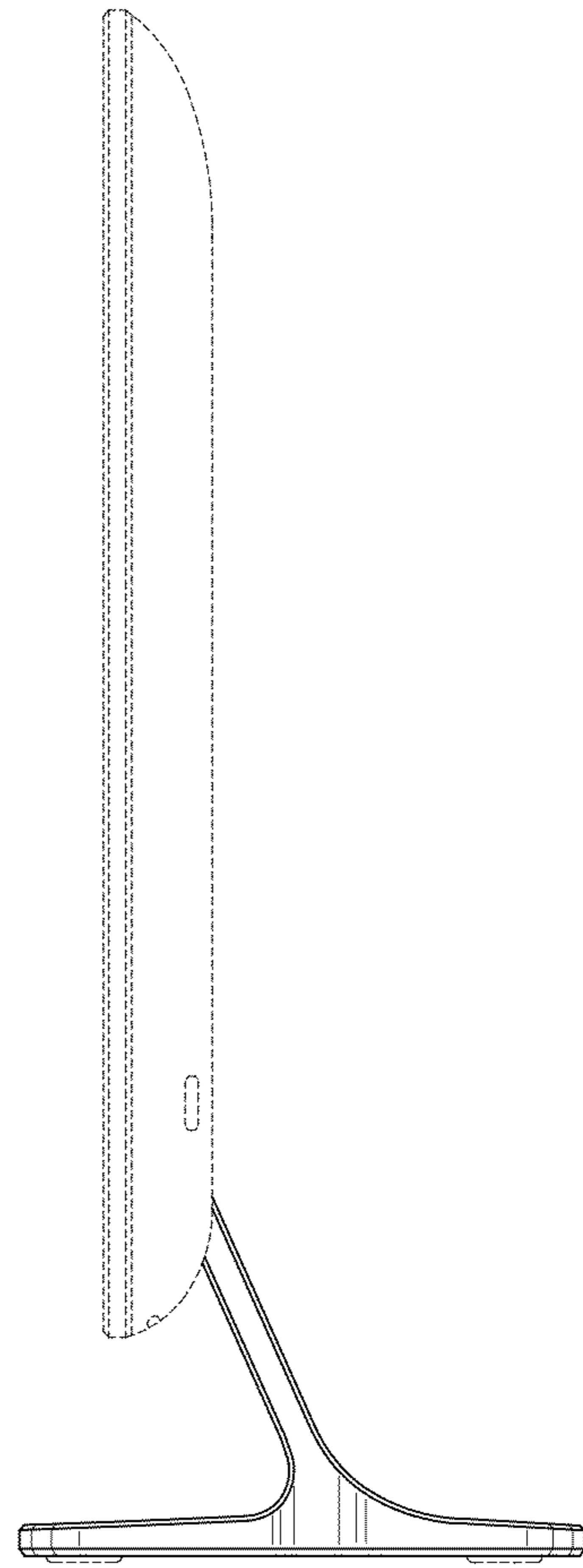


FIG.6

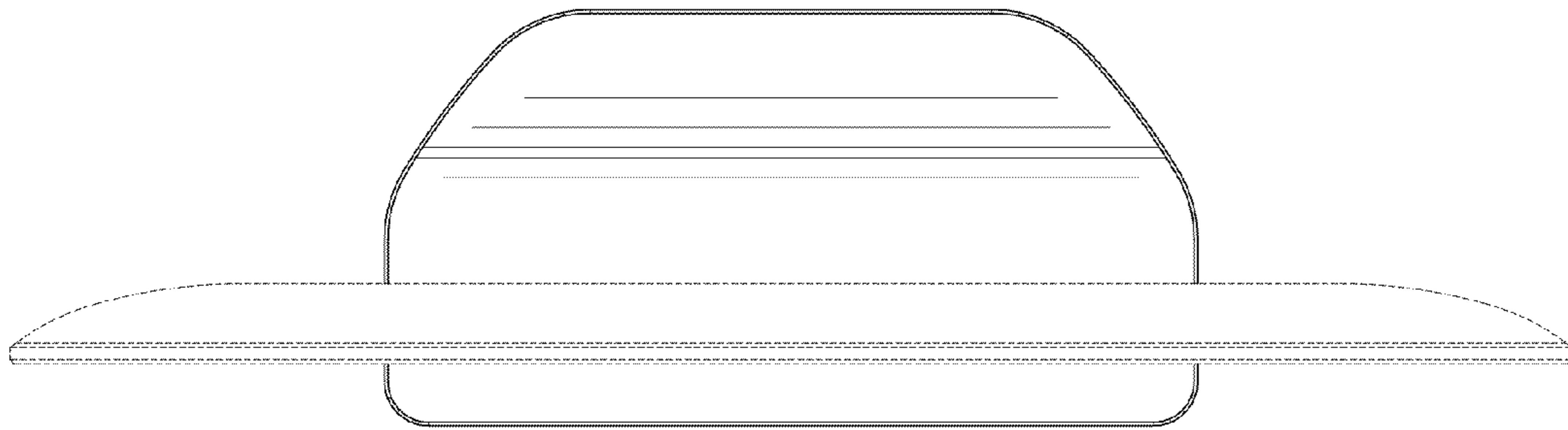


FIG.7

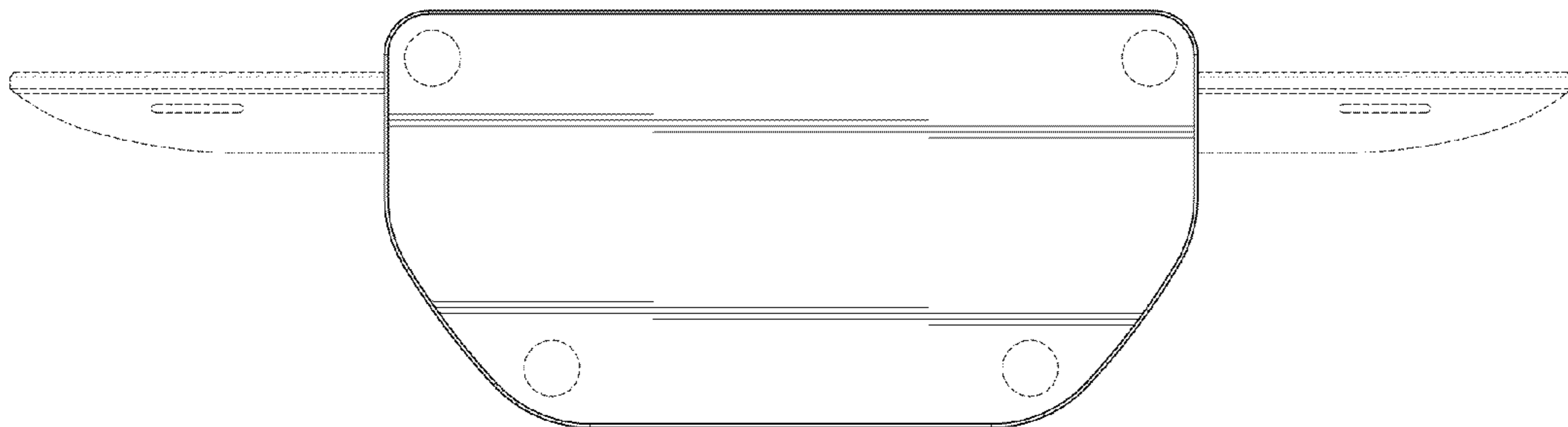


FIG.8

