



US00D727920S

(12) **United States Design Patent**
Togawa et al.

(10) **Patent No.:** **US D727,920 S**

(45) **Date of Patent:** **** *Apr. 28, 2015**

(54) **FRONT PANEL FOR A COMPUTER**

(56) **References Cited**

(71) Applicant: **NEC Corporation**, Minato-ku, Tokyo (JP)

U.S. PATENT DOCUMENTS

(72) Inventors: **Yasunari Togawa**, Minato-ku (JP);
Junya Ohno, Kofu (JP); **Mitsuhiro Shimizu**, Ota-ku (JP); **Takashi Matsuda**, Ota-ku (JP); **Naoki Kato**, Ota-ku (JP)

D360,411	S	*	7/1995	Sharp et al.	D14/445
D455,152	S	*	4/2002	Caughlan et al.	D14/445
D474,180	S	*	5/2003	Searby et al.	D14/313
D480,086	S	*	9/2003	Searby et al.	D14/444
D507,000	S	*	7/2005	Wang	D14/445
D541,285	S	*	4/2007	Wang et al.	D14/445
D588,601	S	*	3/2009	Wang et al.	D14/445
2002/0017838	A1	*	2/2002	Roesner et al.	312/223.1

(73) Assignee: **NEC Corporation**, Tokyo (JP)

* cited by examiner

(*) Notice: This patent is subject to a terminal disclaimer.

Primary Examiner — Freda S Nunn

(74) *Attorney, Agent, or Firm* — Keating & Bennett, LLP

(**) Term: **14 Years**

(21) Appl. No.: **29/468,551**

(57) **CLAIM**

The ornamental design for a front panel for a computer, as shown and described.

(22) Filed: **Oct. 1, 2013**

(30) **Foreign Application Priority Data**

Apr. 2, 2013 (JP) 2013-007442

(51) **LOC (10) Cl.** **14-02**

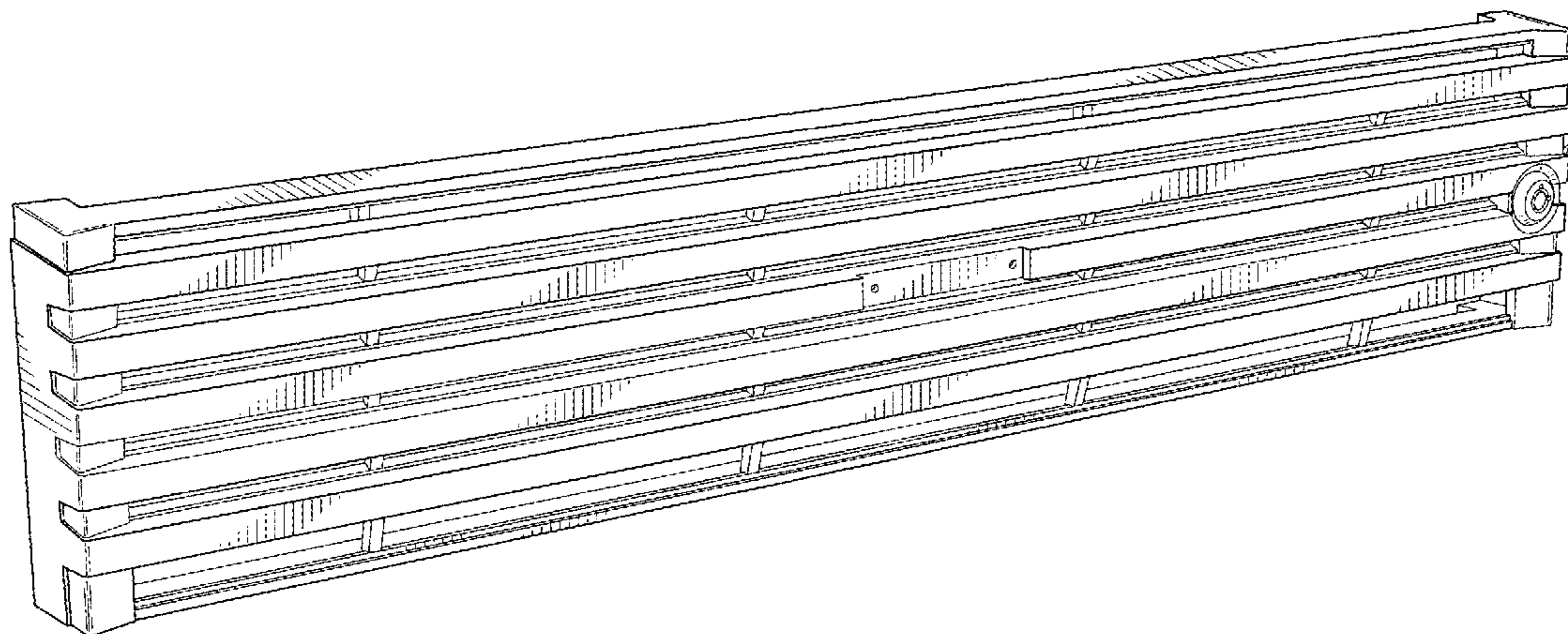
(52) **U.S. Cl.**
USPC **D14/441**

(58) **Field of Classification Search**
USPC D13/184, 199; D14/300, 301, 302, 308,
D14/313, 314, 348, 349, 350, 351-359,
D14/441-446; 312/223.1, 223.2, 223.3;
360/99.01-99.12; 361/724, 600,
361/679.31-679.39; 369/34.01, 36.01
See application file for complete search history.

DESCRIPTION

FIG. 1 is a perspective view of a front panel for a computer according to our new design;
FIG. 2 is a front elevation view thereof;
FIG. 3 is a rear elevation view thereof;
FIG. 4 is a left side elevation view thereof;
FIG. 5 is a right side top plan view thereof;
FIG. 6 is a top plan view thereof; and,
FIG. 7 is a bottom plan view thereof.

1 Claim, 4 Drawing Sheets



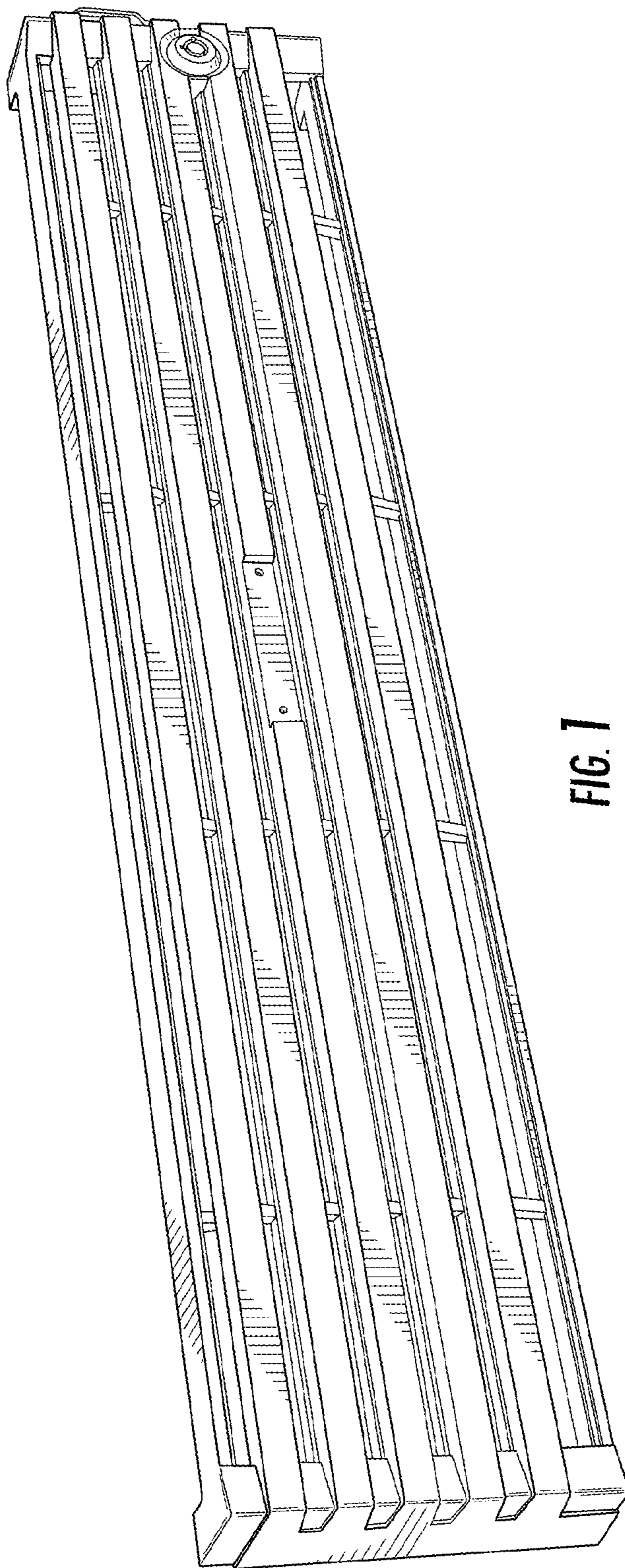


FIG. 1

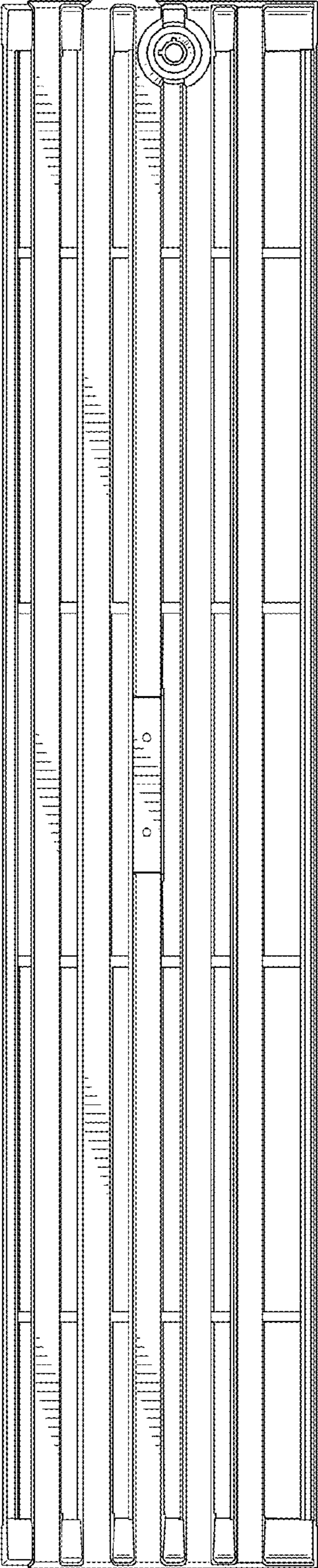


FIG. 2

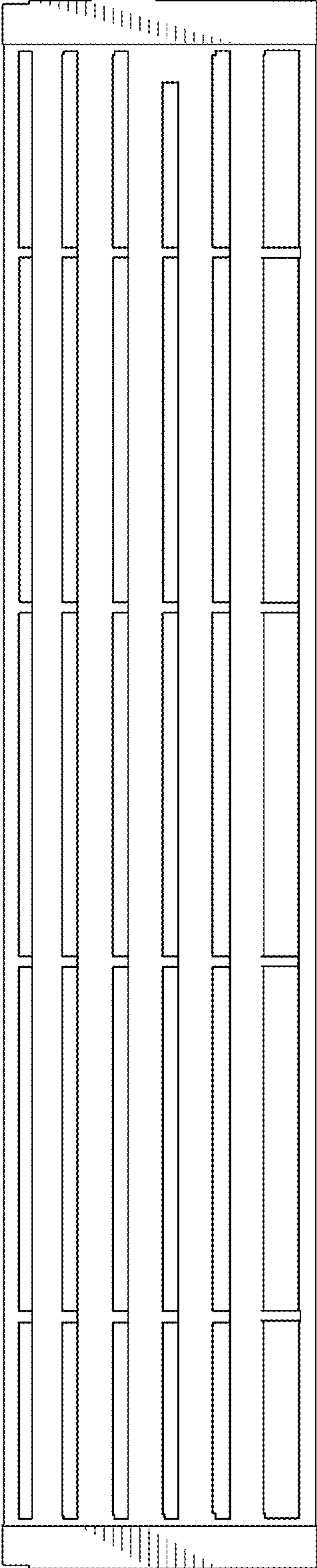


FIG. 3

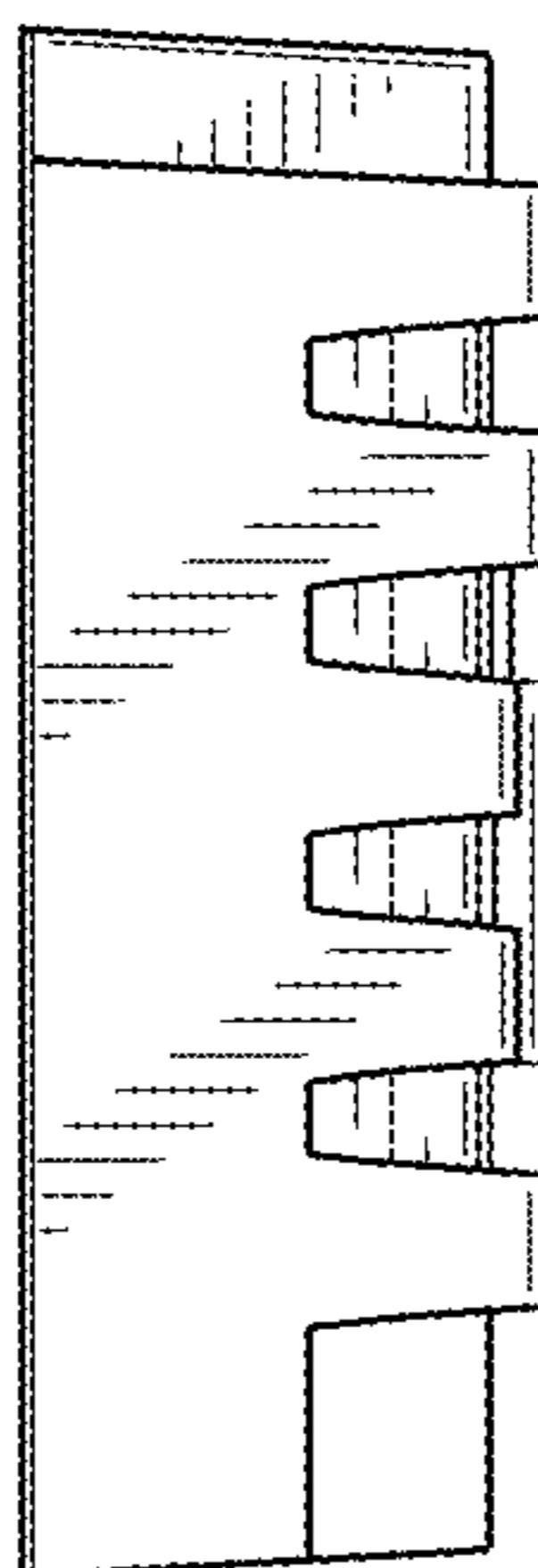


FIG. 4

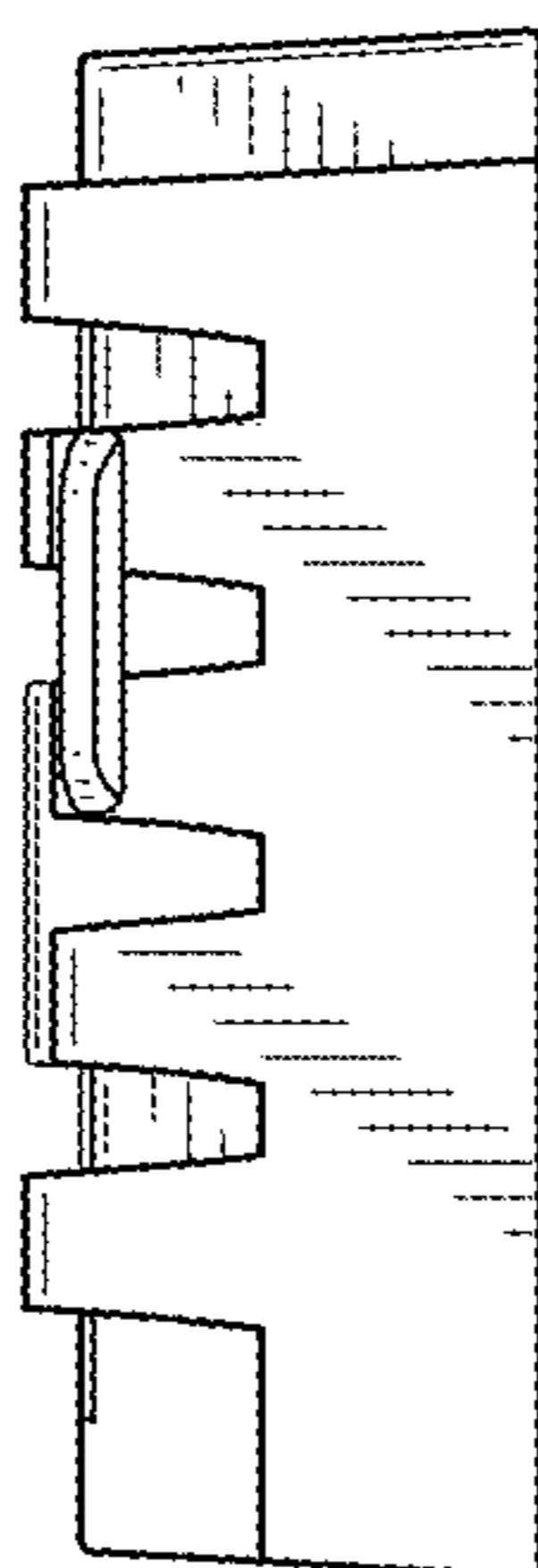


FIG. 5

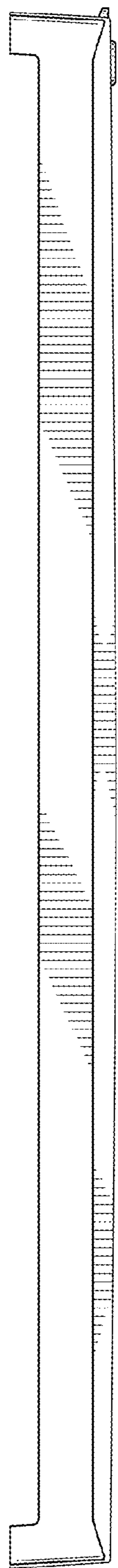


FIG. 6

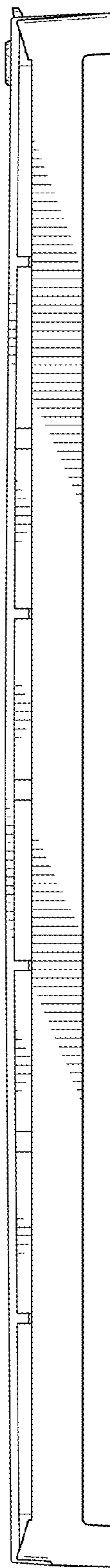


FIG. 7