



US00D727918S

(12) **United States Design Patent**
Soare

(10) **Patent No.:** **US D727,918 S**
(45) **Date of Patent:** **** Apr. 28, 2015**

(54) **TABLET COVER**

- (71) Applicant: **Marian I. Soare**, Pilot Mountain, NC (US)
- (72) Inventor: **Marian I. Soare**, Pilot Mountain, NC (US)
- (73) Assignee: **Hatch, Inc.**, Winston-Salem, NC (US)
- (**) Term: **14 Years**
- (21) Appl. No.: **29/492,854**
- (22) Filed: **Jun. 3, 2014**

Related U.S. Application Data

- (62) Division of application No. 29/414,553, filed on Feb. 29, 2012, now Pat. No. Des. 709,510.
- (51) **LOC (10) Cl.** **14-02**
- (52) **U.S. Cl.**
USPC **D14/440**
- (58) **Field of Classification Search**
CPC ... G06F 1/1601; G06F 1/1626; G06F 1/1633;
G06F 1/1675; G06F 1/1679; G02F 1/1306;
G02F 1/133; G02F 1/133308; G02F 1/153;
G02F 1/1533; G02F 2001/133317; H04M
1/185; H04M 1/0252; H04B 1/3888
USPC D14/250, 251, 253, 240, 217, 496, 440,
D14/203.3, 203.4, 203.5, 203.8, 341, 318;
D3/218, 215, 201, 294, 289, 900;
220/4.02; 248/309.1; 361/679.56;
379/426, 433.11, 455; 455/575.1,
455/575.8, 457.1; 190/100; 206/305, 320,
206/45.2; D21/469; 312/240

See application file for complete search history.

(56) **References Cited**

U.S. PATENT DOCUMENTS

5,319,808	A	6/1994	Bishop et al.	
5,529,184	A	6/1996	Sadow	
6,498,719	B1	12/2002	Bridges	
7,106,580	B2	9/2006	Kugimiya et al.	
D537,441	S *	2/2007	Braker	D14/341
D601,557	S *	10/2009	Wesolek	D14/341
7,938,260	B2 *	5/2011	Lin	206/320
D692,006	S *	10/2013	Fujioka	D14/440
D696,257	S *	12/2013	Ward et al.	D14/440
D698,354	S *	1/2014	Mak	D14/341
D706,256	S *	6/2014	Ward et al.	D14/250
D714,295	S *	9/2014	Fujioka	D14/440
D716,312	S *	10/2014	Fujioka	D14/440
2011/0228459	A1	9/2011	Richardson	

OTHER PUBLICATIONS

Internet advertisement for Big Grips Frame iPad case for iPad and iPad2 at <http://biggrips.com>.

(Continued)

Primary Examiner — Cynthia Underwood

(74) *Attorney, Agent, or Firm* — Quarles & Brady LLP

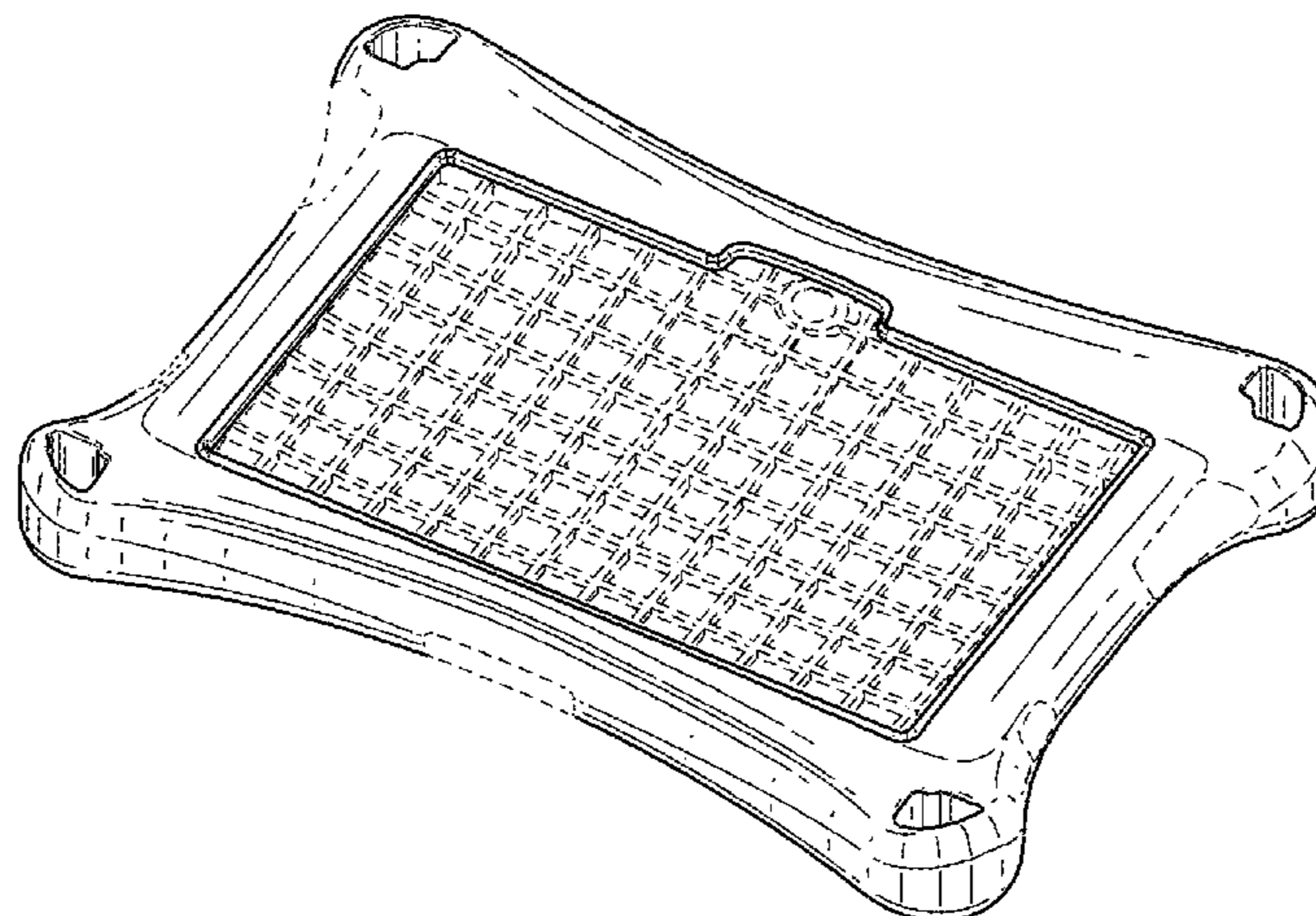
(57) **CLAIM**

The ornamental design for a tablet cover, as shown and described.

DESCRIPTION

FIG. 1 is an isometric view of a top, front, and right side of an ornamental design for a tablet cover;
 FIG. 2 is a top plan view of the tablet cover of FIG. 1;
 FIG. 3 is a bottom plan view of the tablet cover of FIG. 1;
 FIG. 4 is a front elevational view of the tablet cover of FIG. 1;
 FIG. 5 is a rear elevational view of the tablet cover of FIG. 1;
 FIG. 6 is a right side elevational view of the tablet cover of FIG. 1; and,
 FIG. 7 is a left side elevational view of the tablet cover of FIG. 1.
 The broken lines in the drawings depict environmental subject matter only and form no part of the claimed design.

1 Claim, 3 Drawing Sheets



(56)

References Cited

OTHER PUBLICATIONS

Internet advertisement for Gumdrop Cases, Drop Tech Series cases for an iPhone 4s & 4 case at <http://www.gumdropcases.com>.

Internet advertisement for Gumdrop Cases, Drop Tech Series cases for an iPad2 case at <http://www.gumdropcases.com>.

Internet advertisement for Gumdrop Cases, Gumdrop Skin Soft iPhone 4s & 4 cases at <http://www.gumdropcases.com>.

Internet advertisement for Gumdrop Cases, Air Shell iPhone 4 hard case—Skater Nation at <http://www.gumdropcases.com>.

Internet advertisement for Gumdrop Cases, Drop Tech Series, Military Edition iPad2 case at <http://www.gumdropcases.com>.

Internet advertisement for Hard Candy Cases, iPad Squish Skin a squishy air filled iPad case at <http://www.hardcandycases.com>.

Internet advertisement for Hard Candy Cases, Street Skin iPad case for iPad 2 at <http://www.hardcandycases.com>.

Internet advertisement for Incipio, LG G-Siate Tablet Silicylic Kickstand Hard Shell Case with Silicone Core at <http://www.myincipio.com>.

Internet advertisement for Incipio, iPad Hive Honeycomb dermaSHOT Silicone case at <http://www.myincipio.com>.

Internet advertisement for Incipio, iPad1337 Silicone Gaming case at <http://www.myincipio.com>.

Internet Advertisement for Speck Products, iGuy tablet case for iPad & iPad2 a <http://www.speckproducts.com>.

Internet advertisement for Speck Products, SmartShell tablet case for iPad2 at <http://www.speckproducts.com>.

Internet advertisement for Speck Products, Pixel Skin case for iPhone 4S/4 and 3GS at <http://www.speckproducts.com>.

Internet advertisement for Speck Products, Pixel Skin HD case for iPhone 4S/4 at <http://www.speckproducts.com>.

Internet advertisement for Speck Products, HandyShell tablet case for iPad2 at <http://www.speckproducts.com>.

Internet advertisement for Speck Products, Pixel Skin HD Wrap tablet case for iPad2 at <http://www.speckproducts.com>.

Internet advertisement for Speck Products, Pixel Skin HD case for iPod touch at <http://www.speckproducts.com>.

Internet advertisement for Speck Products, Pixel Skin case for iPod touch at <http://www.speckproducts.com>.

Internet advertisement for Speck Products, GeoMetric case for iPhone 4S/4 at <http://www.speckproducts.com>.

Internet review of American Industrial Systems RPDA37 ruggedized windows handheld computer similar to Newport Digital's N37B chunky handheld at <http://www.windowsfordevices.com>.

Internet advertisement for Fuhu, Inc. Nabi, Nabi and Nabi2 android tablet with silicone bumper at <http://www.nabitablel.com>.

Internet advertisement of Fuhu, Inc. Nabi, Nabi2 Bumper, silicone bumper with name plate at <http://nabitablel.com>.

* cited by examiner

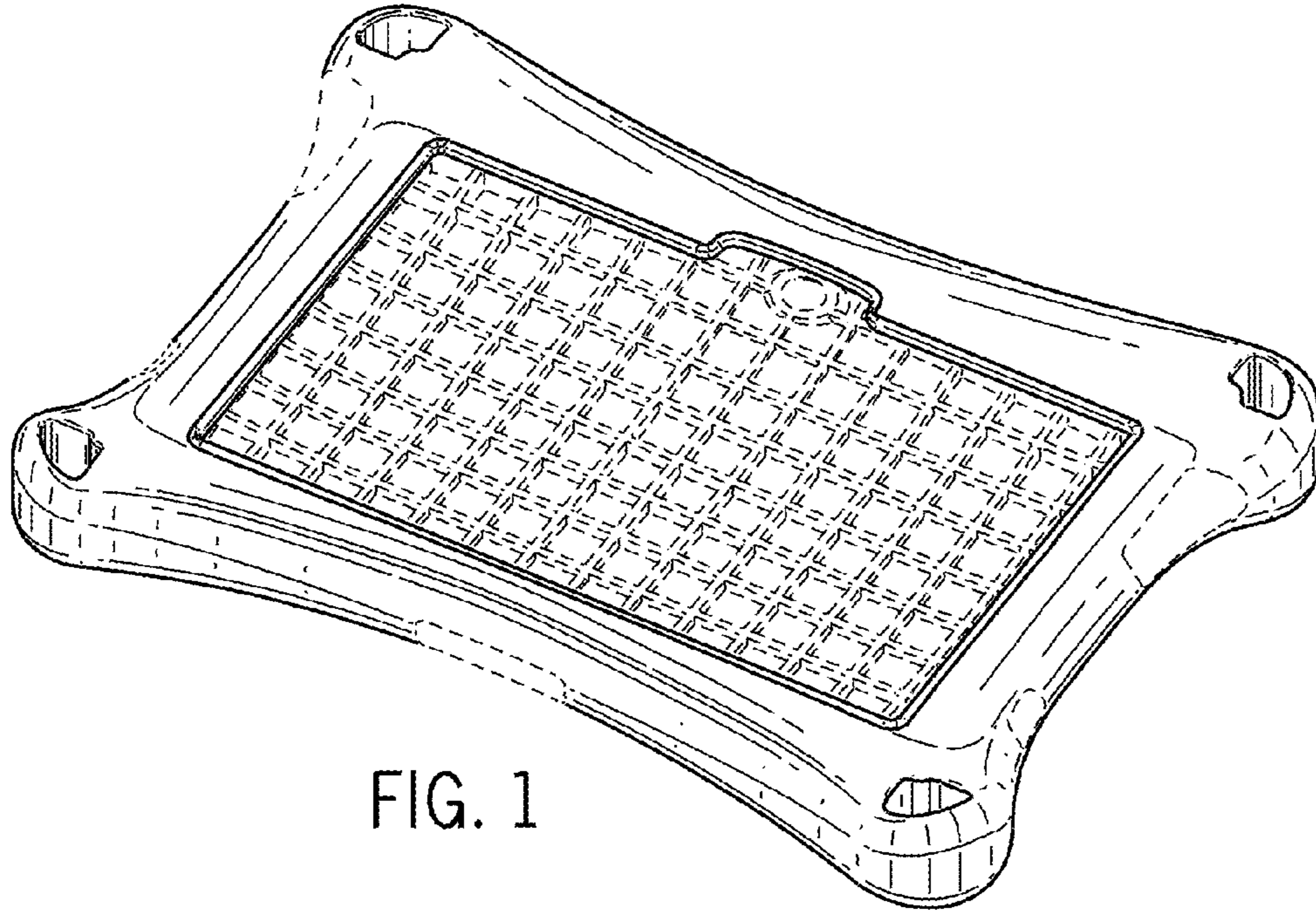


FIG. 1

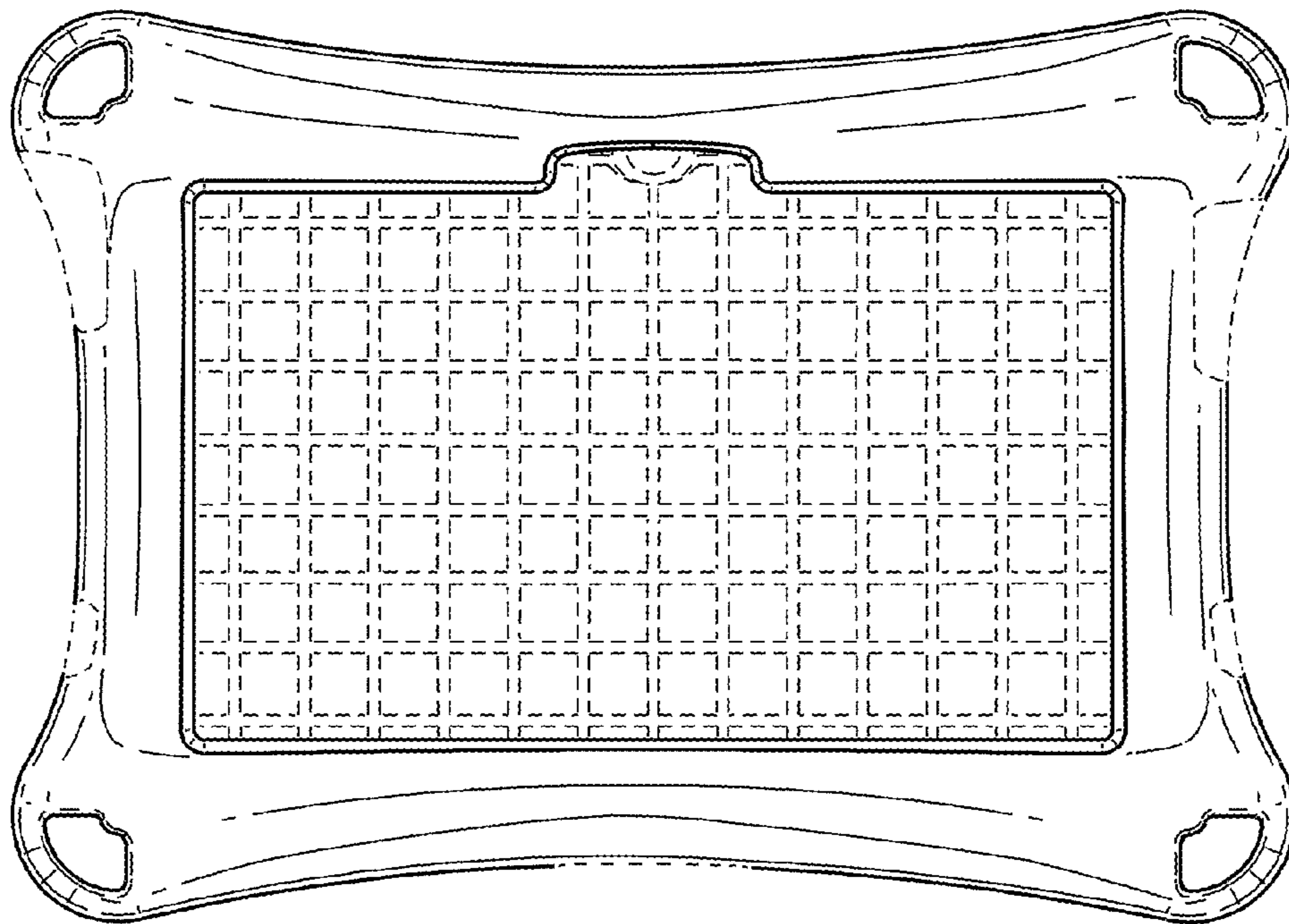


FIG. 2

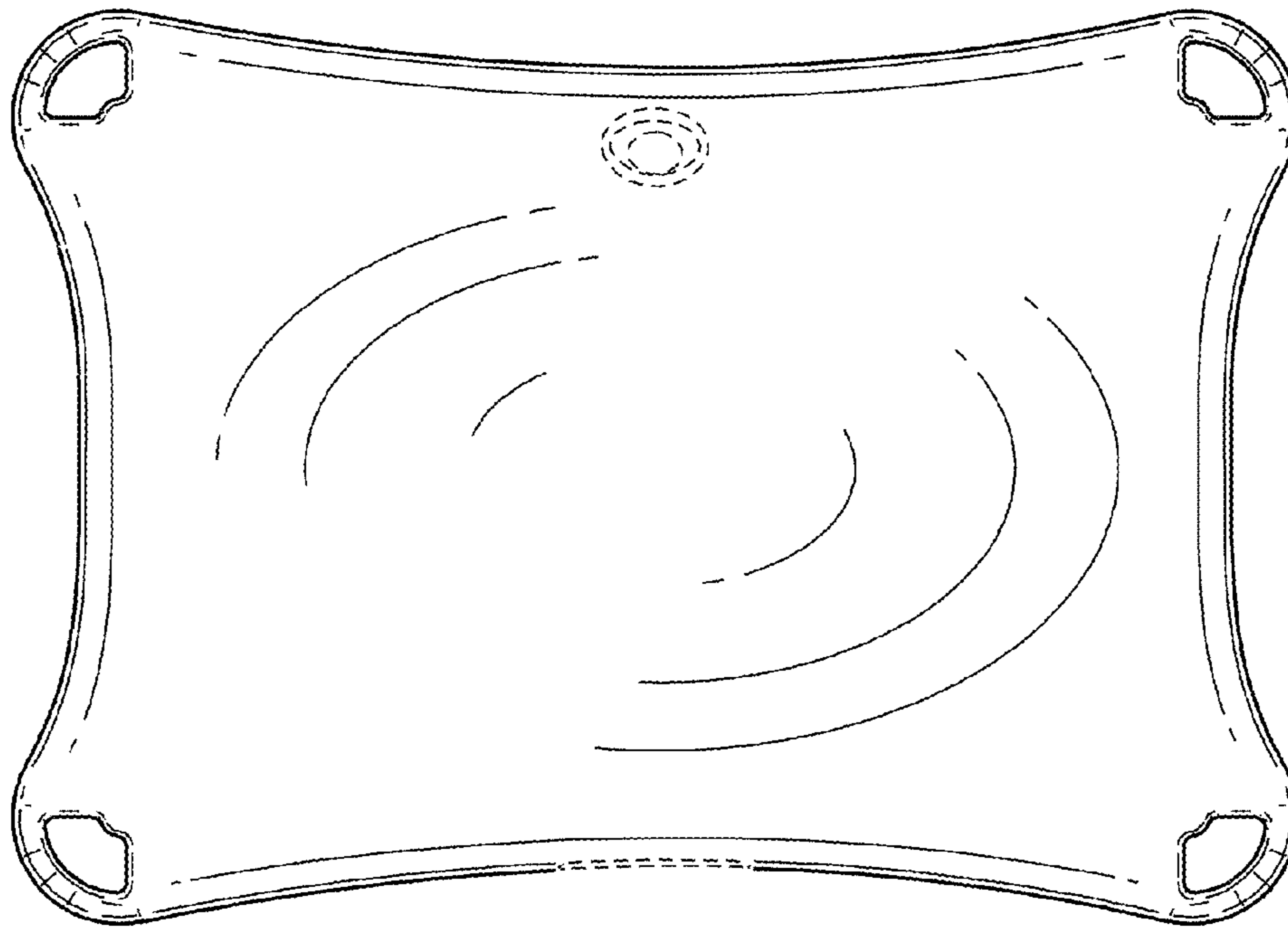


FIG. 3

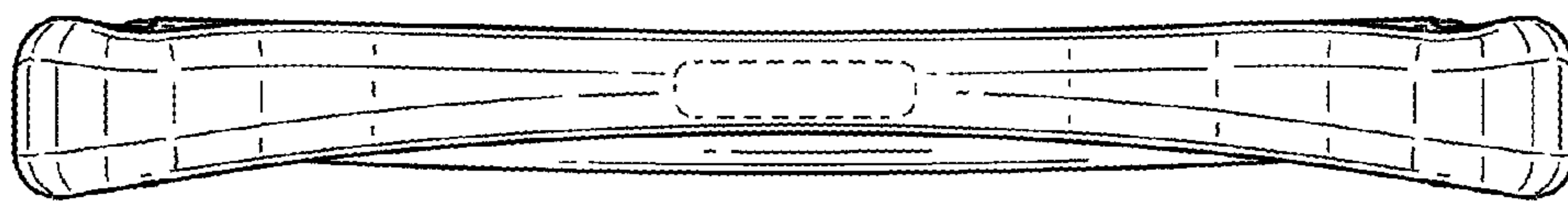


FIG. 4

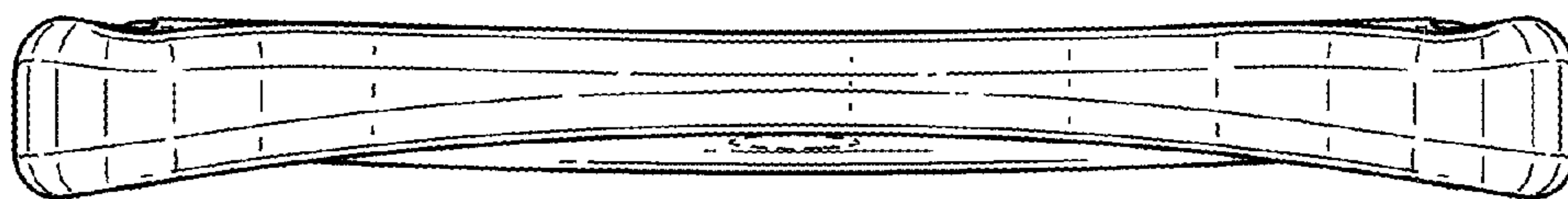


FIG. 5

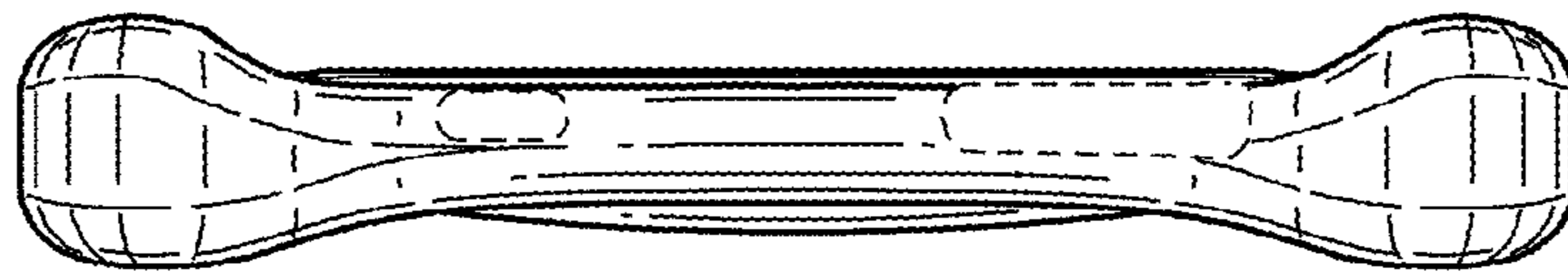


FIG. 6

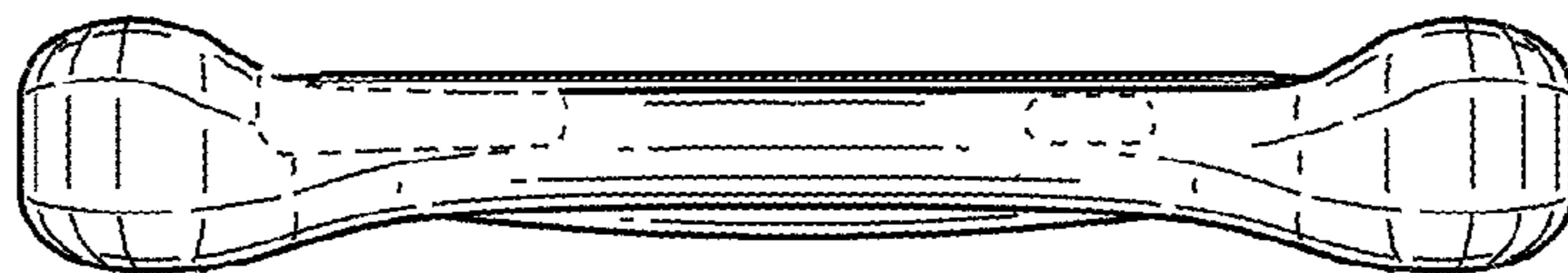


FIG. 7