



US00D727909S

(12) **United States Design Patent**
Woodman et al.

(10) **Patent No.:** **US D727,909 S**
(45) **Date of Patent:** **** Apr. 28, 2015**

(54) **EXPANSION MODULE**

(71) Applicant: **Woodman Labs, Inc.**, San Mateo, CA
(US)

(72) Inventors: **Nicholas D. Woodman**, Sausalito, CA
(US); **Fred Bould**, Menlo Park, CA
(US); **Kristen Beck**, San Mateo, CA
(US)

(73) Assignee: **GoPro, Inc.**, San Mateo, CA (US)

(**) Term: **14 Years**

(21) Appl. No.: **29/478,259**

(22) Filed: **Jan. 2, 2014**

Related U.S. Application Data

(63) Continuation of application No. 29/465,286, filed on Aug. 26, 2013, now Pat. No. Des. 698,791, which is a continuation of application No. 29/434,202, filed on Oct. 10, 2012, now Pat. No. Des. 691,609.

(51) **LOC (10) Cl.** **14-02**

(52) **U.S. Cl.**
USPC **D14/434**

(58) **Field of Classification Search**
USPC D14/217, 432, 434; D8/373; D13/107,
D13/108, 146; 248/176.1; 320/109,
320/112-115; 361/679.4, 679.31-679.33,
361/679.41, 679.43, 679.55; 455/557;
710/15, 303

See application file for complete search history.

(56) **References Cited**

U.S. PATENT DOCUMENTS

D285,920 S	9/1986	Kitakaze	
5,126,890 A *	6/1992	Wade et al.	360/60
5,933,322 A	8/1999	Ruch et al.	
D423,473 S	4/2000	Iwamoto	
D443,247 S	6/2001	Chuan et al.	
D452,496 S	12/2001	Murnaghan et al.	
D653,666 S	2/2012	Zhou	
D679,713 S *	4/2013	McParland et al.	D14/434
D691,609 S *	10/2013	Woodman et al.	D14/434
2003/0193316 A1	10/2003	Guo et al.	

* cited by examiner

Primary Examiner — Freda S Nunn

(74) *Attorney, Agent, or Firm* — Fenwick & West LLP

(57) **CLAIM**

The ornamental design for an expansion module, as shown and described.

DESCRIPTION

FIG. 1 is a front, top and left side perspective view of an expansion module showing our new design according to a first embodiment;

FIG. 2 is a rear, bottom and right side perspective view thereof;

FIG. 3 is a rear, bottom and left side perspective view thereof;

FIG. 4 is a rear elevational view thereof;

FIG. 5 is a front elevational view thereof;

FIG. 6 is a left side elevational view thereof;

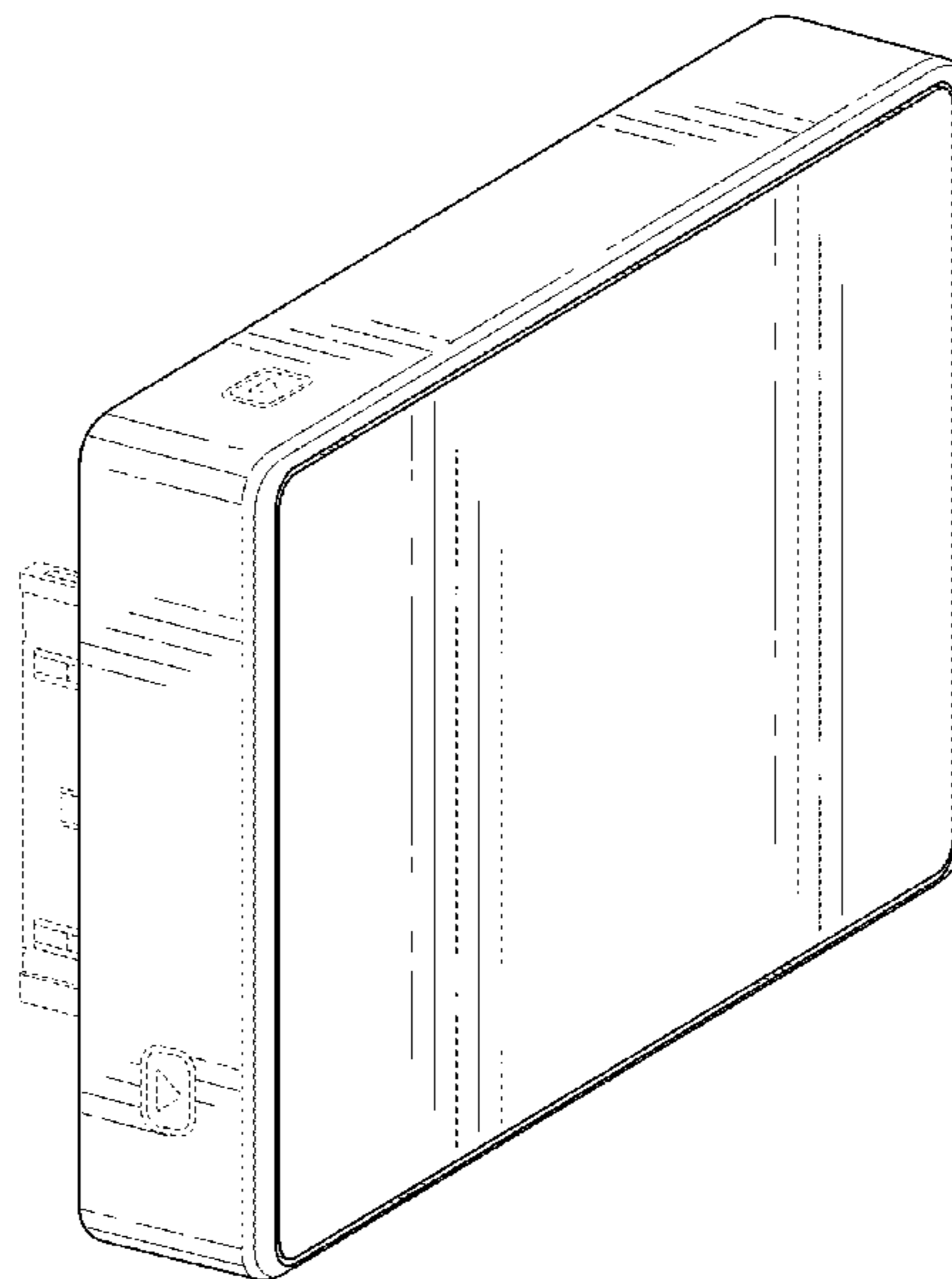
FIG. 7 is a right side elevational view thereof;

FIG. 8 is a top plan view thereof; and,

FIG. 9 is a bottom plan view thereof.

The broken lines in the drawings showing portions of the expansion module are included for the purpose of illustrating environmental structure and form no part of the claimed design.

1 Claim, 7 Drawing Sheets



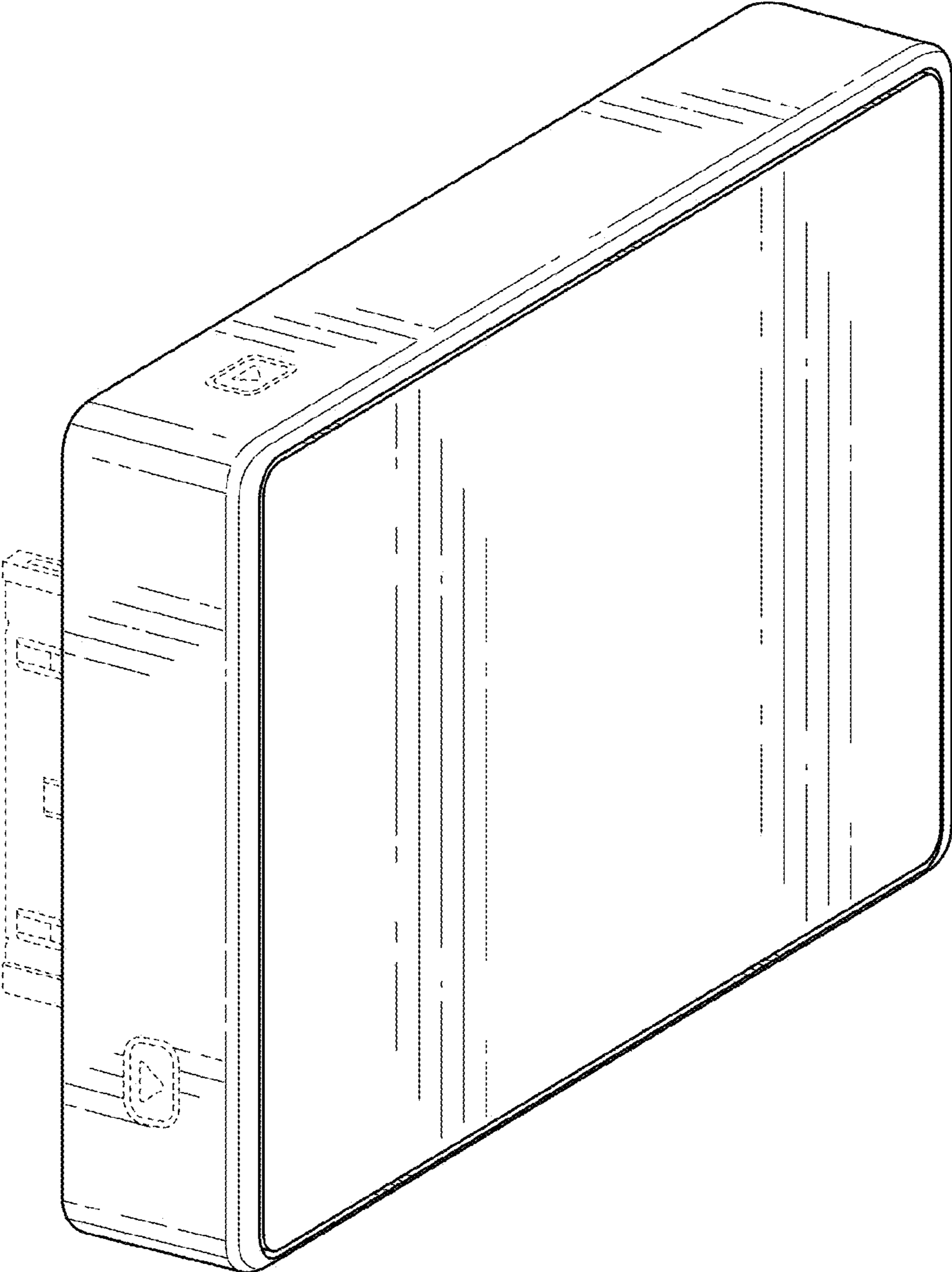


FIG. 1

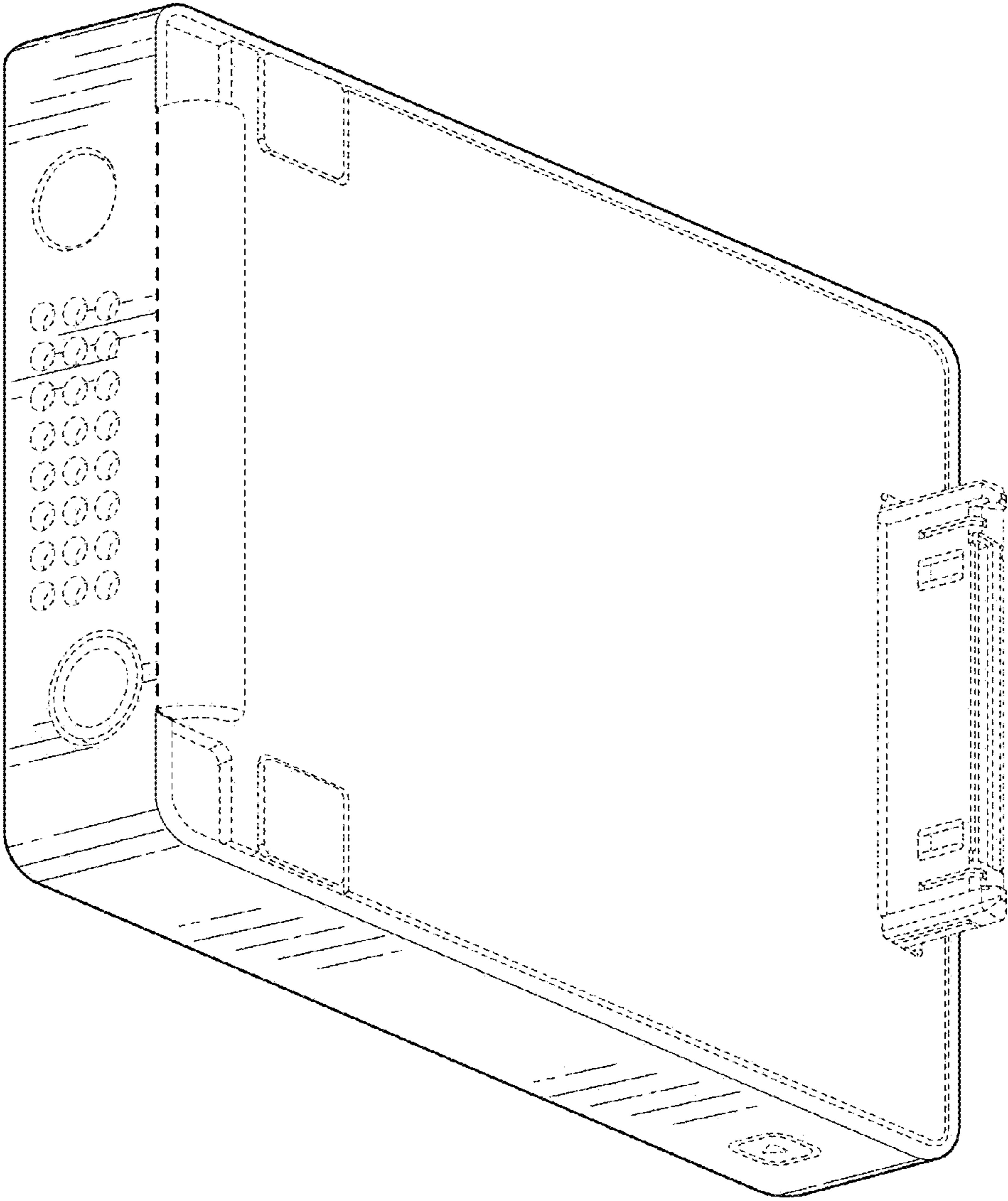


FIG. 2

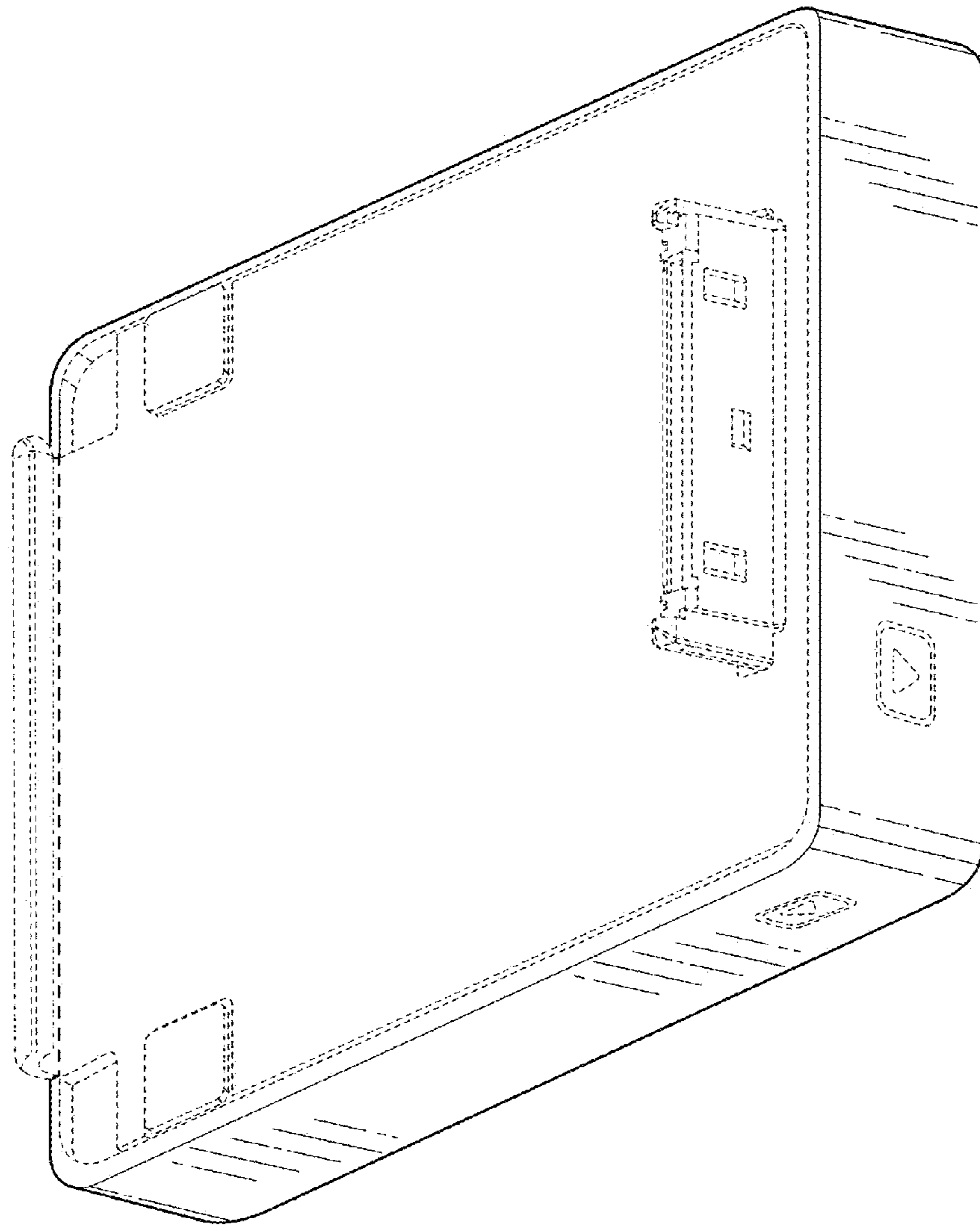


FIG. 3

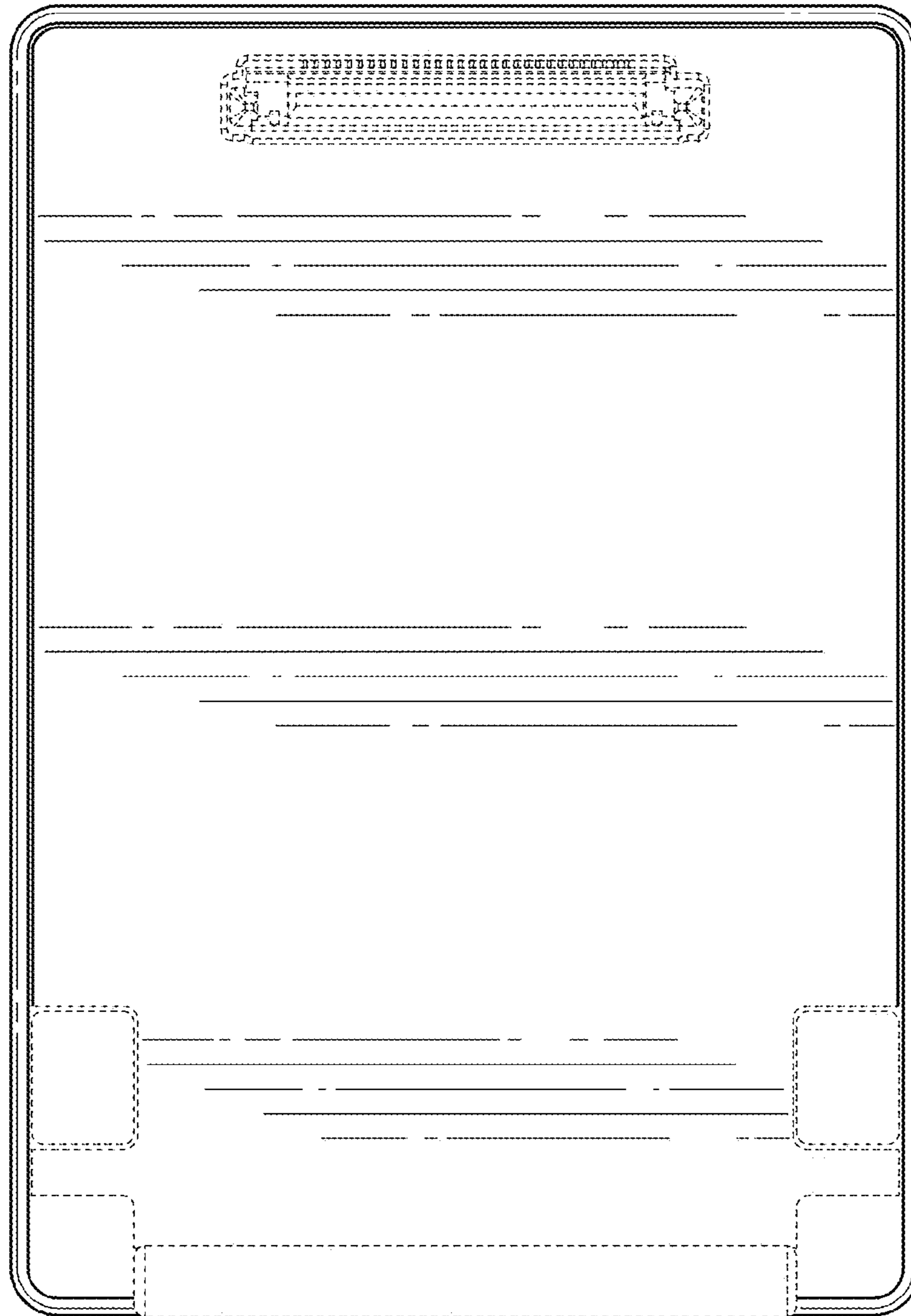


FIG. 4

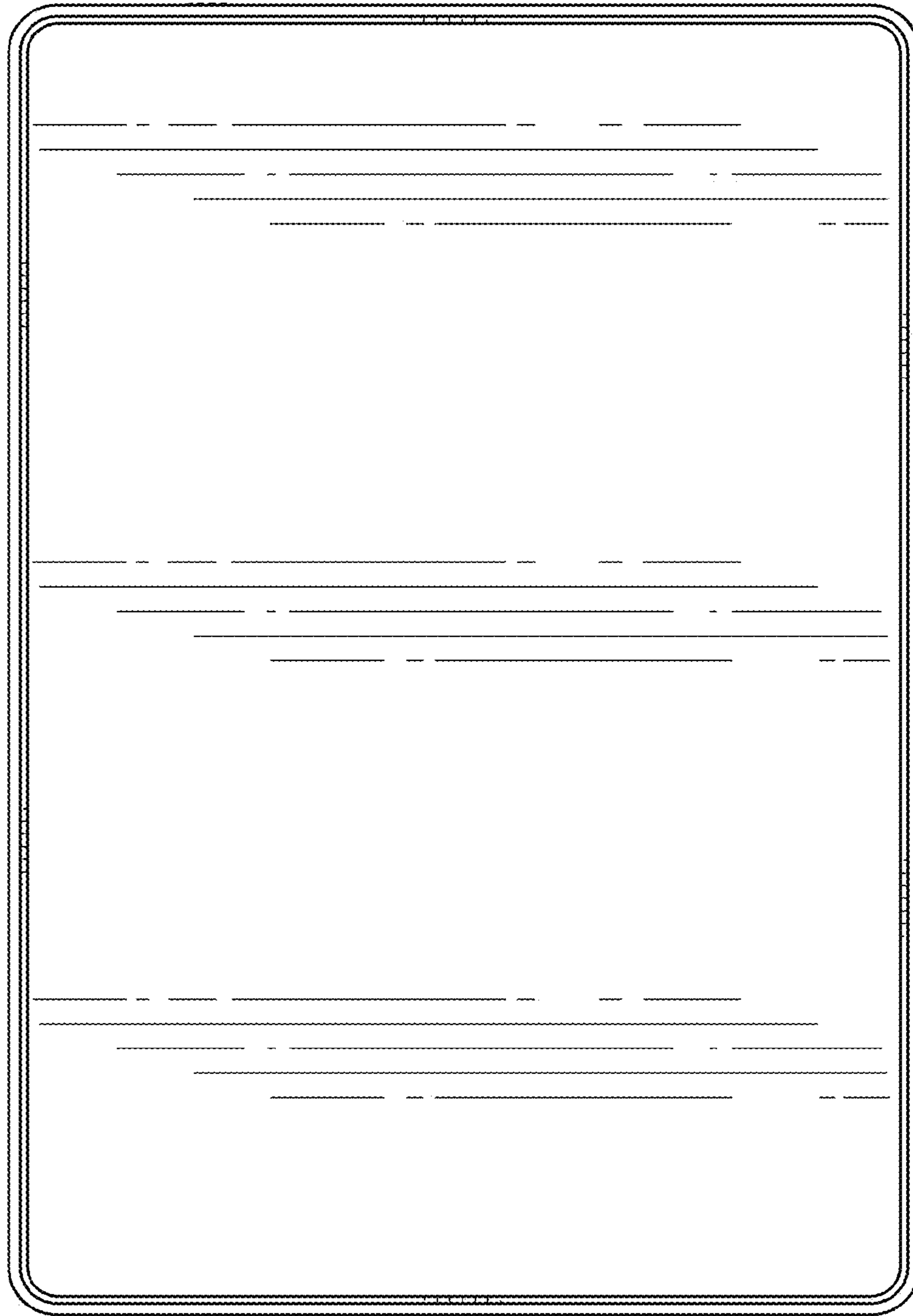


FIG. 5

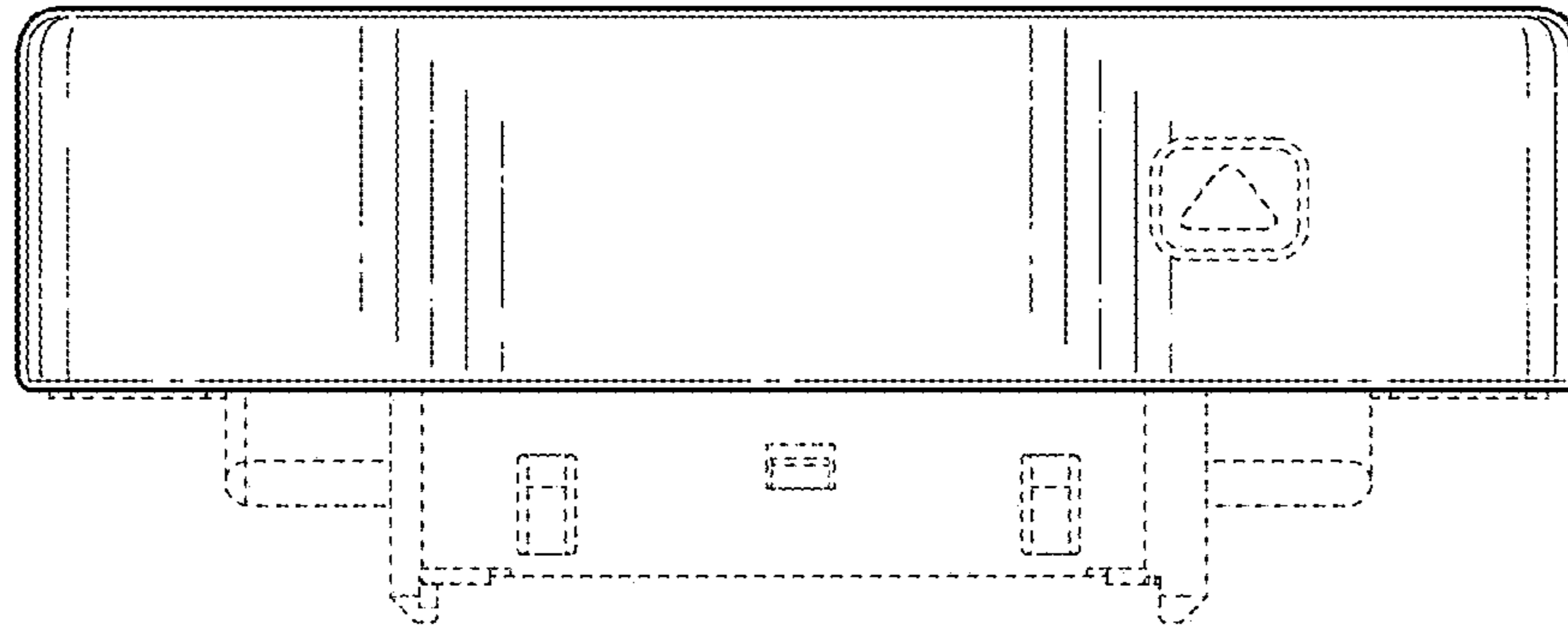


FIG. 6

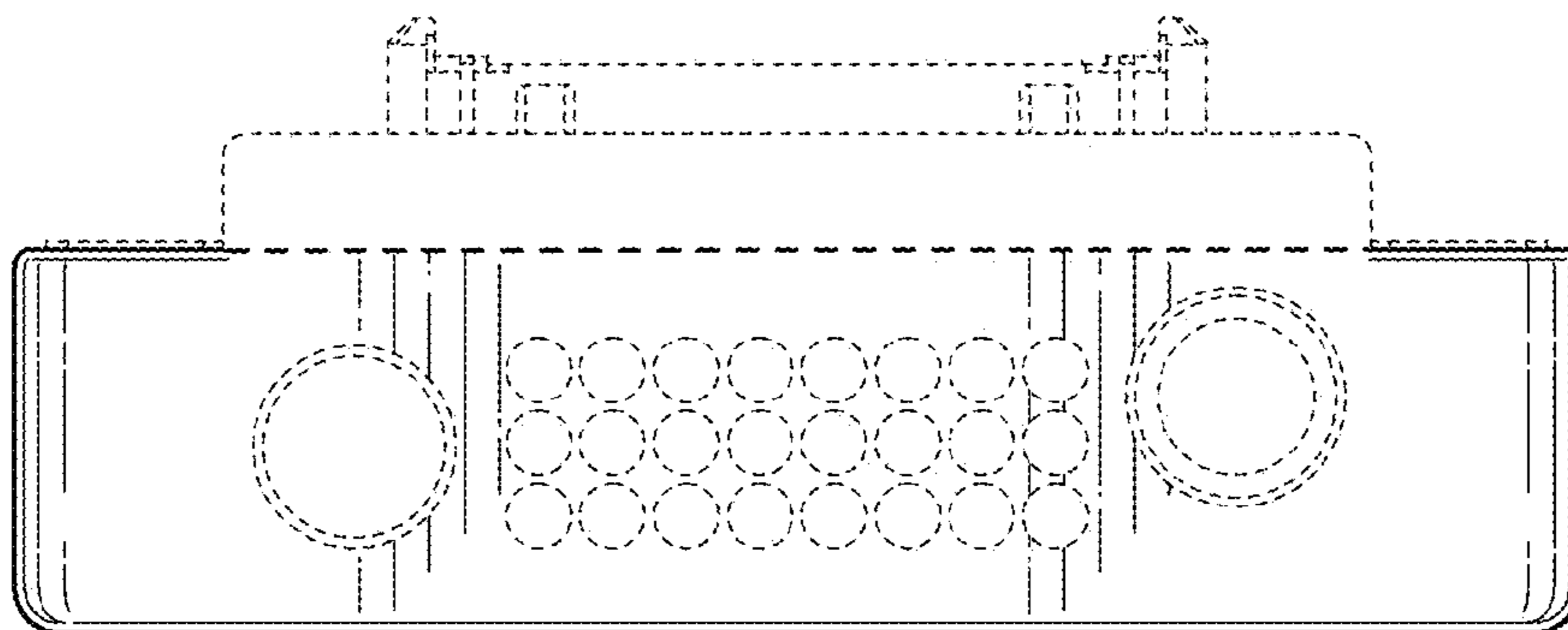


FIG. 7

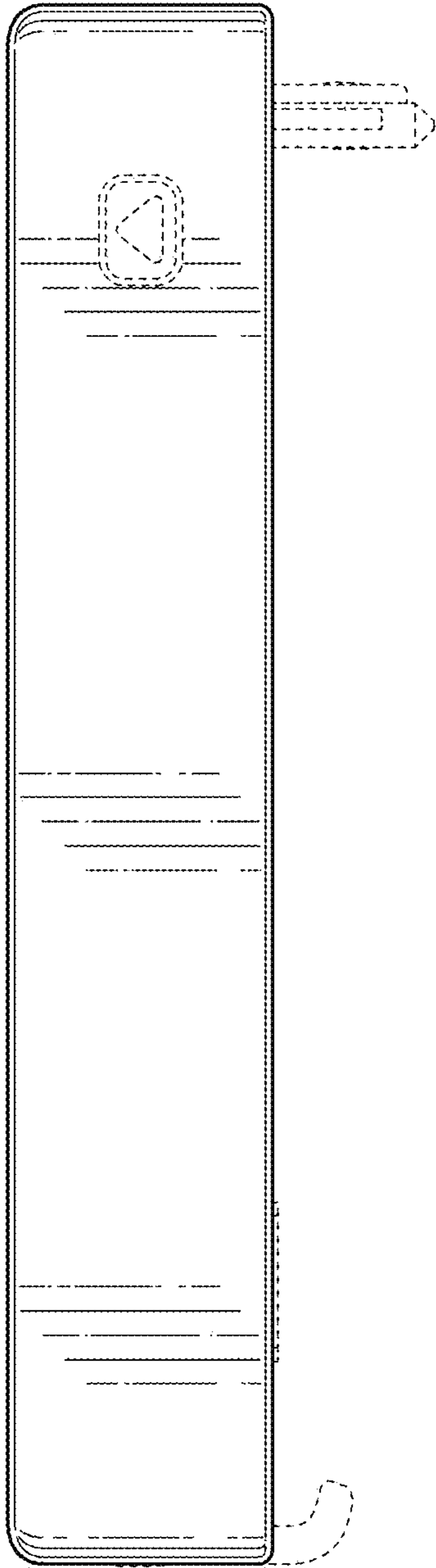


FIG. 8

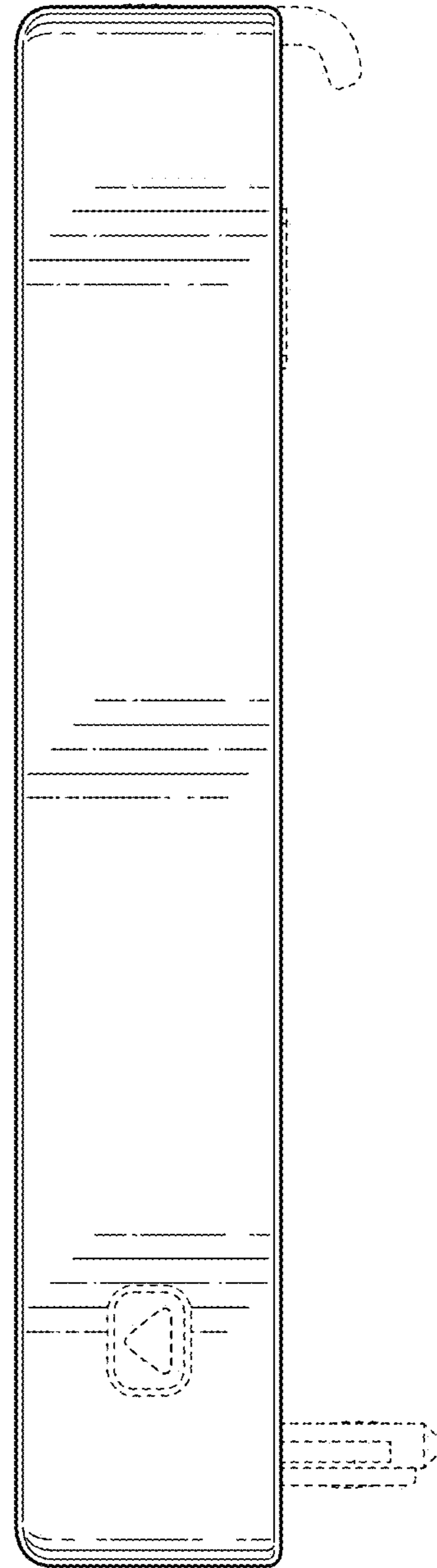


FIG. 9