



US00D727908S

(12) **United States Design Patent**  
**Samuels et al.**

(10) **Patent No.:** **US D727,908 S**

(45) **Date of Patent:** **\*\* Apr. 28, 2015**

(54) **EXPANSION MODULE**

(71) Applicant: **Woodman Labs, Inc.**, San Mateo, CA  
(US)

(72) Inventors: **Rudy Lucas Samuels**, Mill Valley, CA  
(US); **Nicholas D. Woodman**, Sausalito,  
CA (US); **Fred Bould**, Menlo Park, CA  
(US); **Kristen Beck**, San Mateo, CA  
(US)

(73) Assignee: **GoPro, Inc.**, San Mateo, CA (US)

(\*\*) Term: **14 Years**

(21) Appl. No.: **29/478,258**

(22) Filed: **Jan. 2, 2014**

**Related U.S. Application Data**

(63) Continuation of application No. 29/465,285, filed on  
Aug. 26, 2013, now Pat. No. Des. 698,790, which is a  
continuation of application No. 29/434,201, filed on  
Oct. 10, 2012, now Pat. No. Des. 691,608.

(51) **LOC (10) Cl.** ..... **14-02**

(52) **U.S. Cl.**  
USPC ..... **D14/434**

(58) **Field of Classification Search**  
USPC ..... D14/217, 432, 434; D8/373; D13/107,  
D13/108, 146; 248/176.1; 320/109,  
320/112-115; 361/679.4, 679.31-679.33,  
361/679.41, 679.43, 679.55; 455/557;  
710/15, 303

See application file for complete search history.

(56) **References Cited**

U.S. PATENT DOCUMENTS

D285,920 S	9/1986	Kitakaze	
5,126,890 A *	6/1992	Wade et al.	360/60
5,933,322 A	8/1999	Ruch et al.	
D423,473 S	4/2000	Iwamoto	
D443,247 S	6/2001	Chuan et al.	
D452,496 S	12/2001	Murnaghan et al.	
D653,666 S	2/2012	Zhou	
D679,713 S *	4/2013	McParland et al.	D14/434
D691,608 S *	10/2013	Samuels et al.	D14/434
2003/0193316 A1	10/2003	Guo et al.	

\* cited by examiner

*Primary Examiner* — Freda S Nunn

(74) *Attorney, Agent, or Firm* — Fenwick & West LLP

(57) **CLAIM**

The ornamental design for an expansion module, as shown  
and described.

**DESCRIPTION**

FIG. 1 is a front, top and left side perspective view of an  
expansion module showing our new design according to a  
first embodiment;

FIG. 2 is a rear, bottom and right side perspective view  
thereof;

FIG. 3 is a rear, bottom and left side perspective view thereof;

FIG. 4 is a rear elevational view thereof;

FIG. 5 is a front elevational view thereof;

FIG. 6 is a right side elevational view thereof;

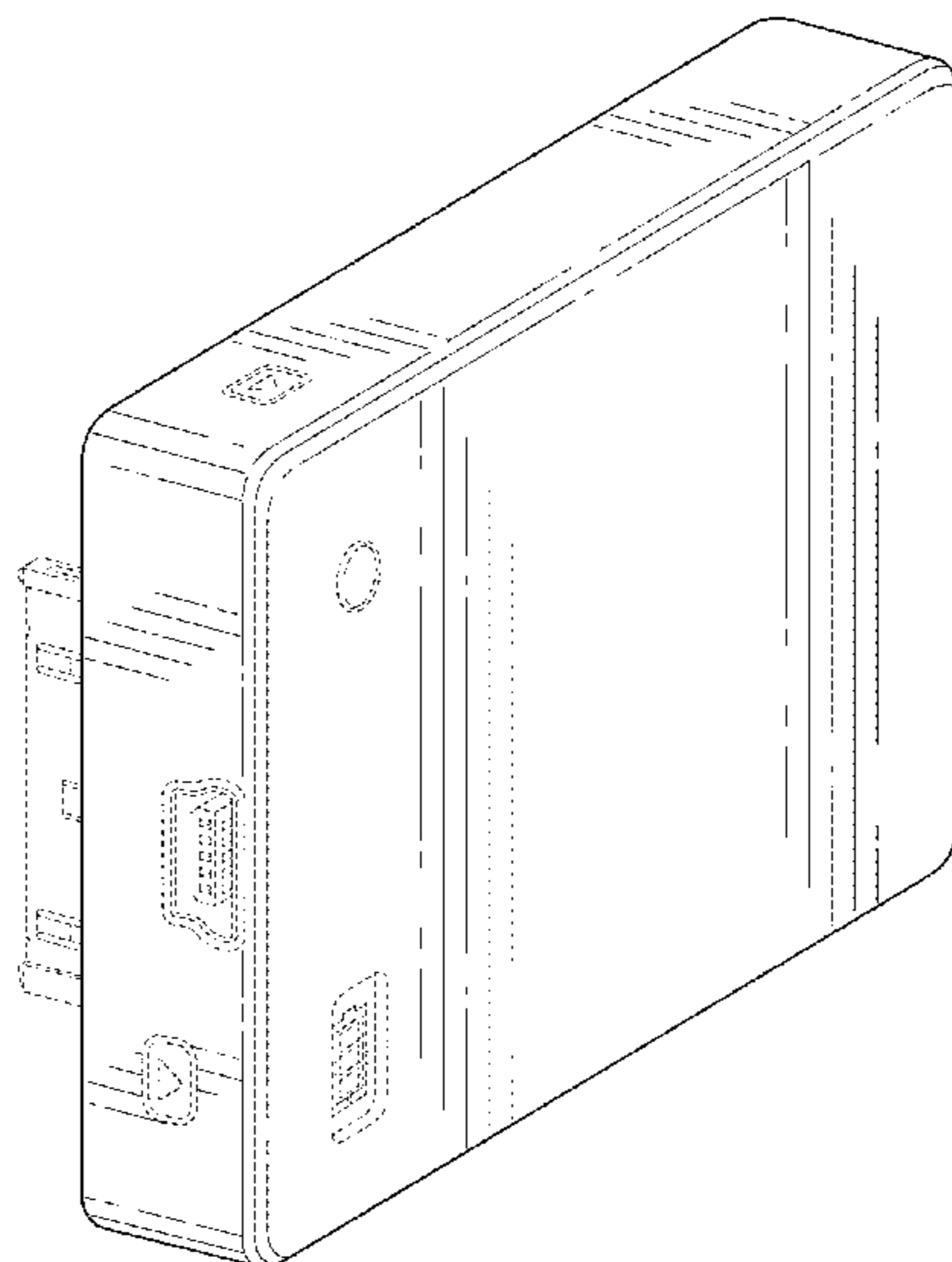
FIG. 7 is a left side elevational view thereof;

FIG. 8 is a top plan view thereof; and

FIG. 9 is a bottom plan view thereof.

The broken lines in the drawings showing portions of the  
expansion module are included for the purpose of illustrating  
environmental structure and form no part of the claimed  
design.

**1 Claim, 7 Drawing Sheets**



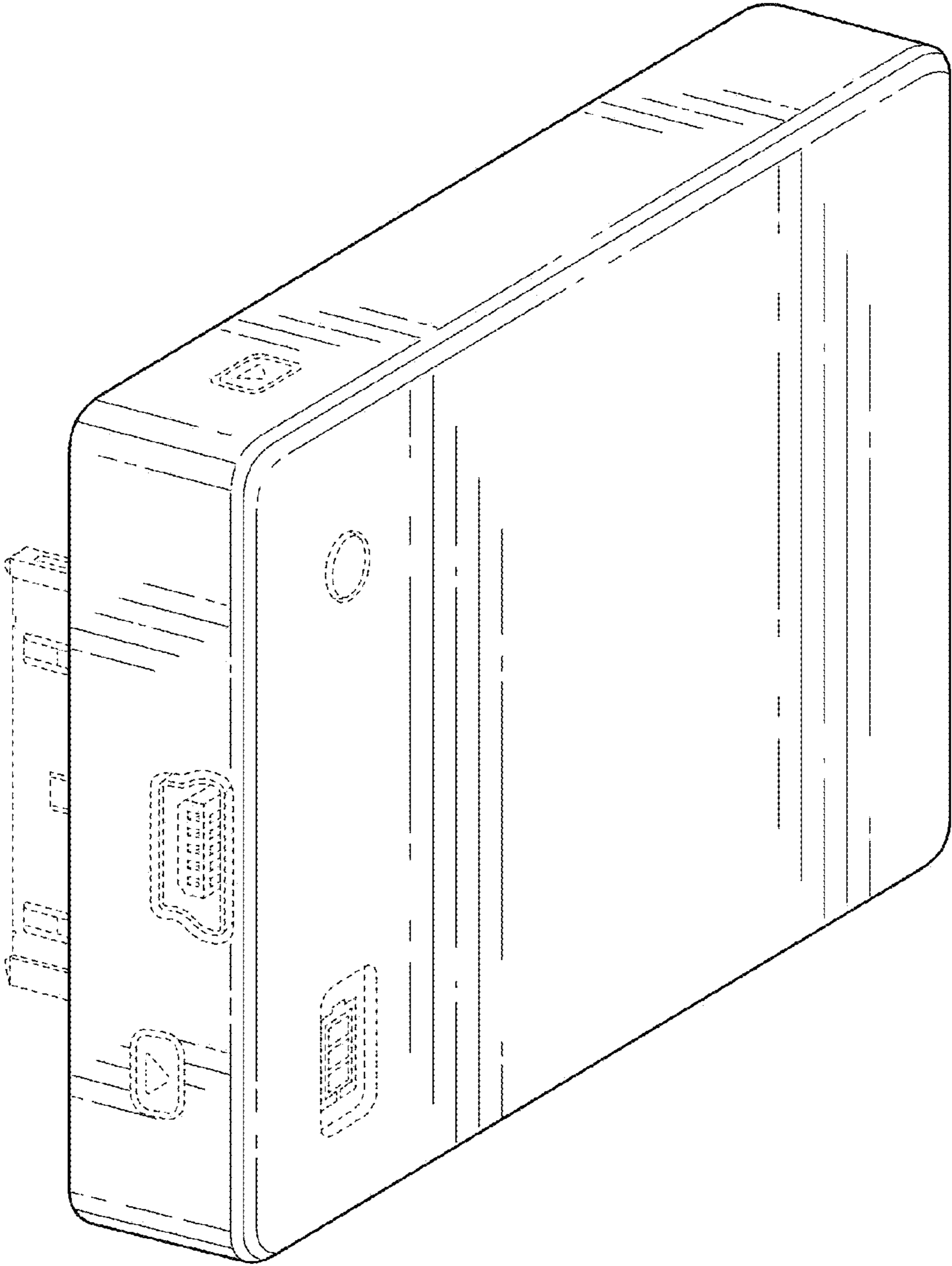


FIG. 1

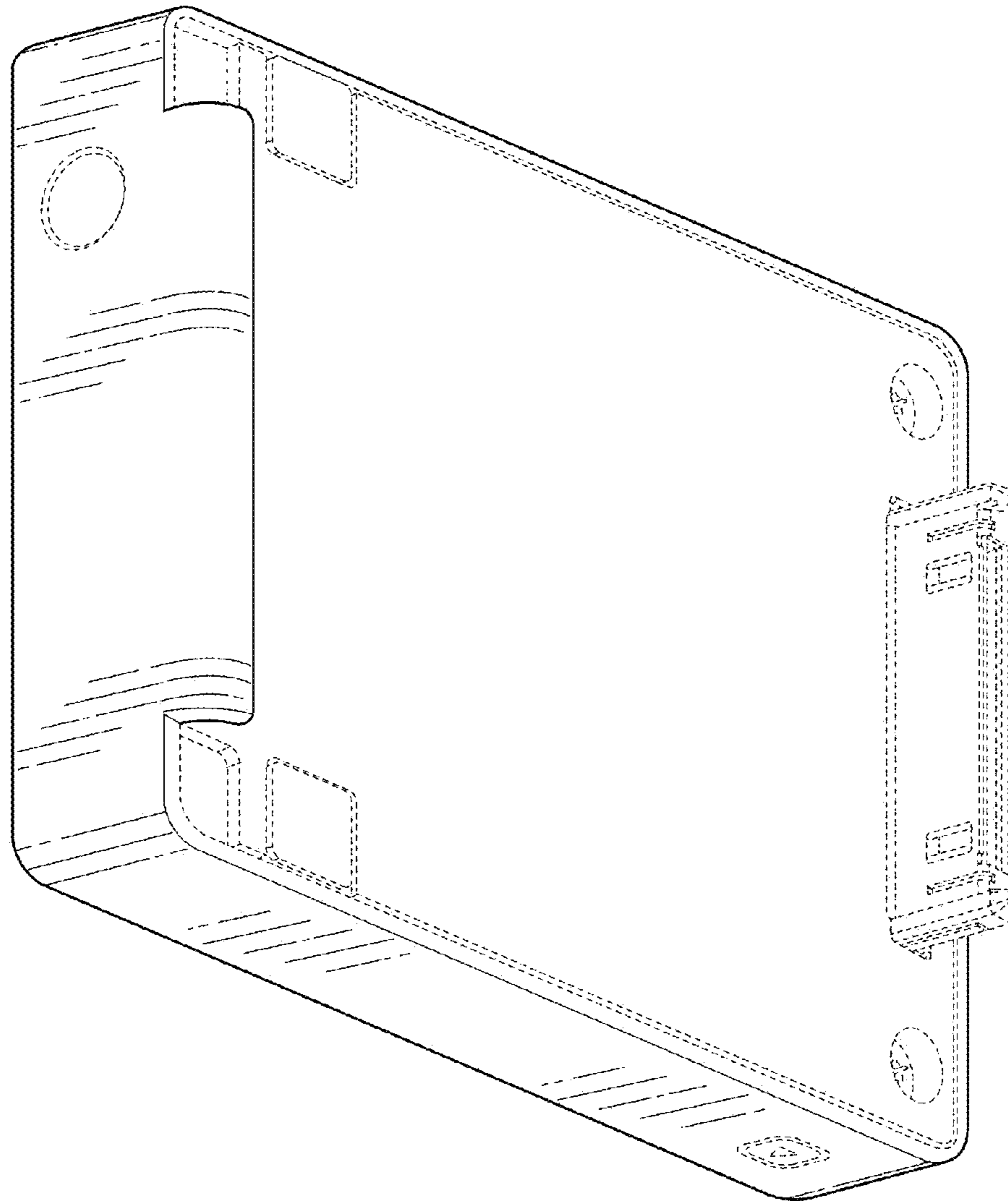


FIG. 2

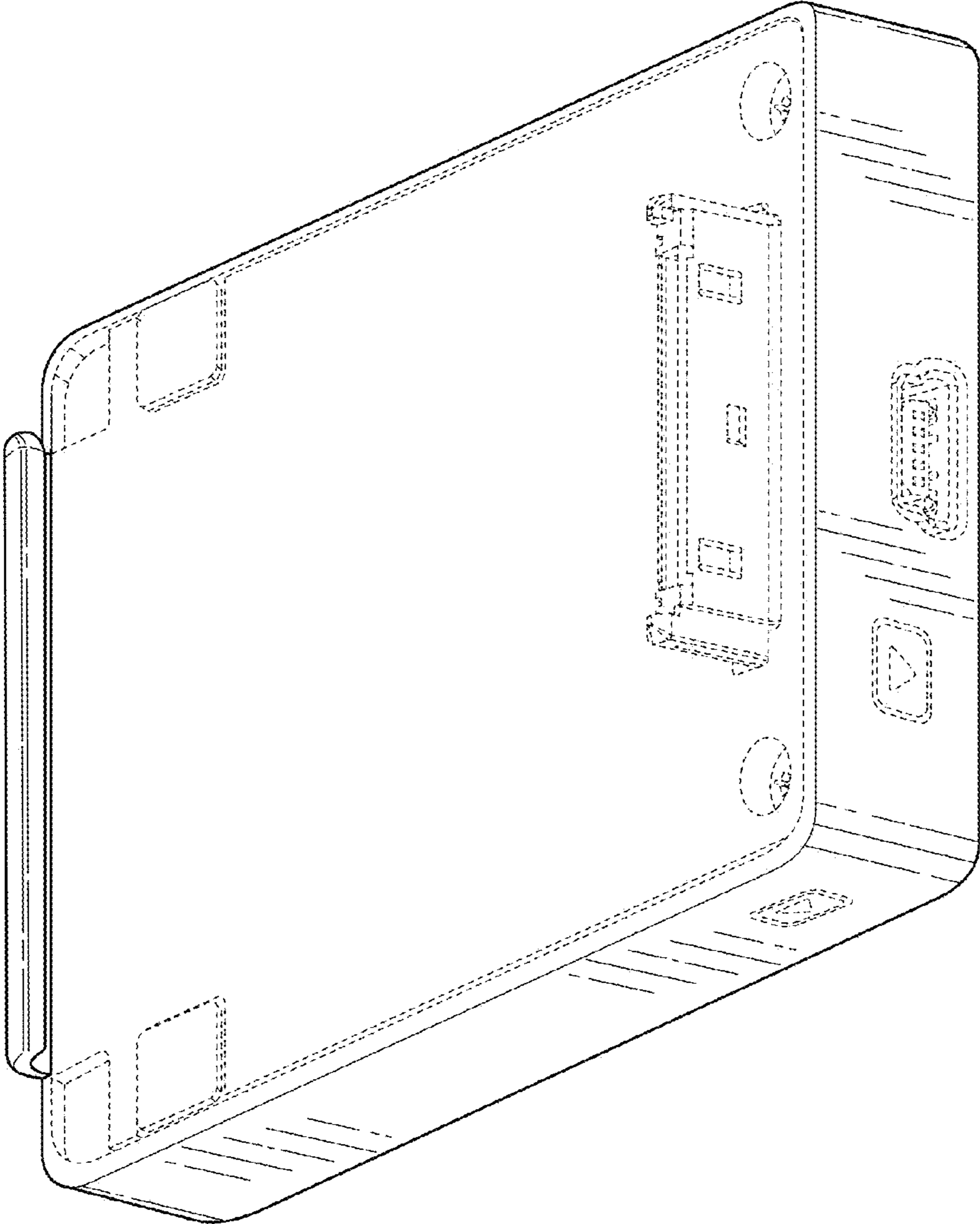


FIG. 3

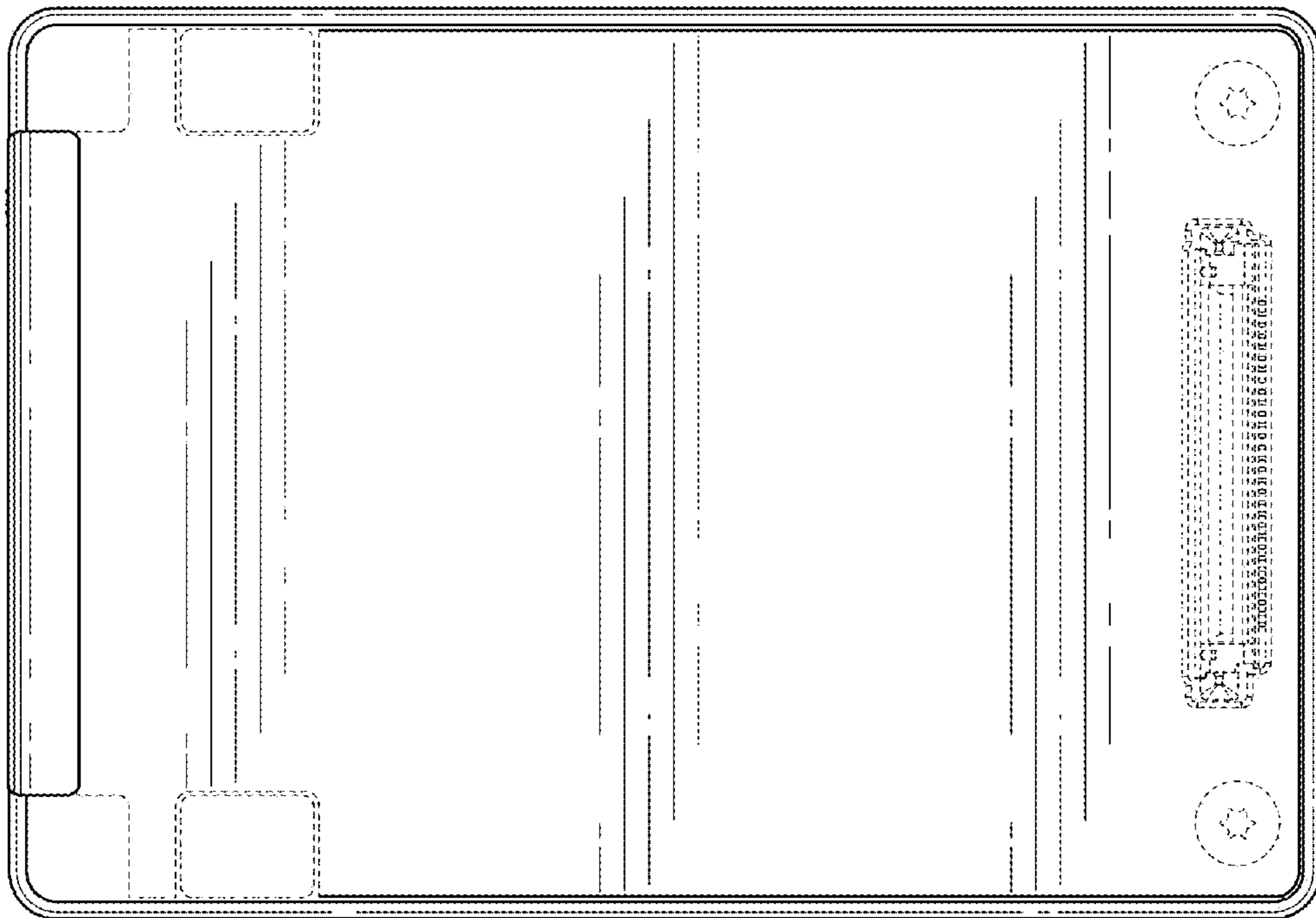


FIG. 4

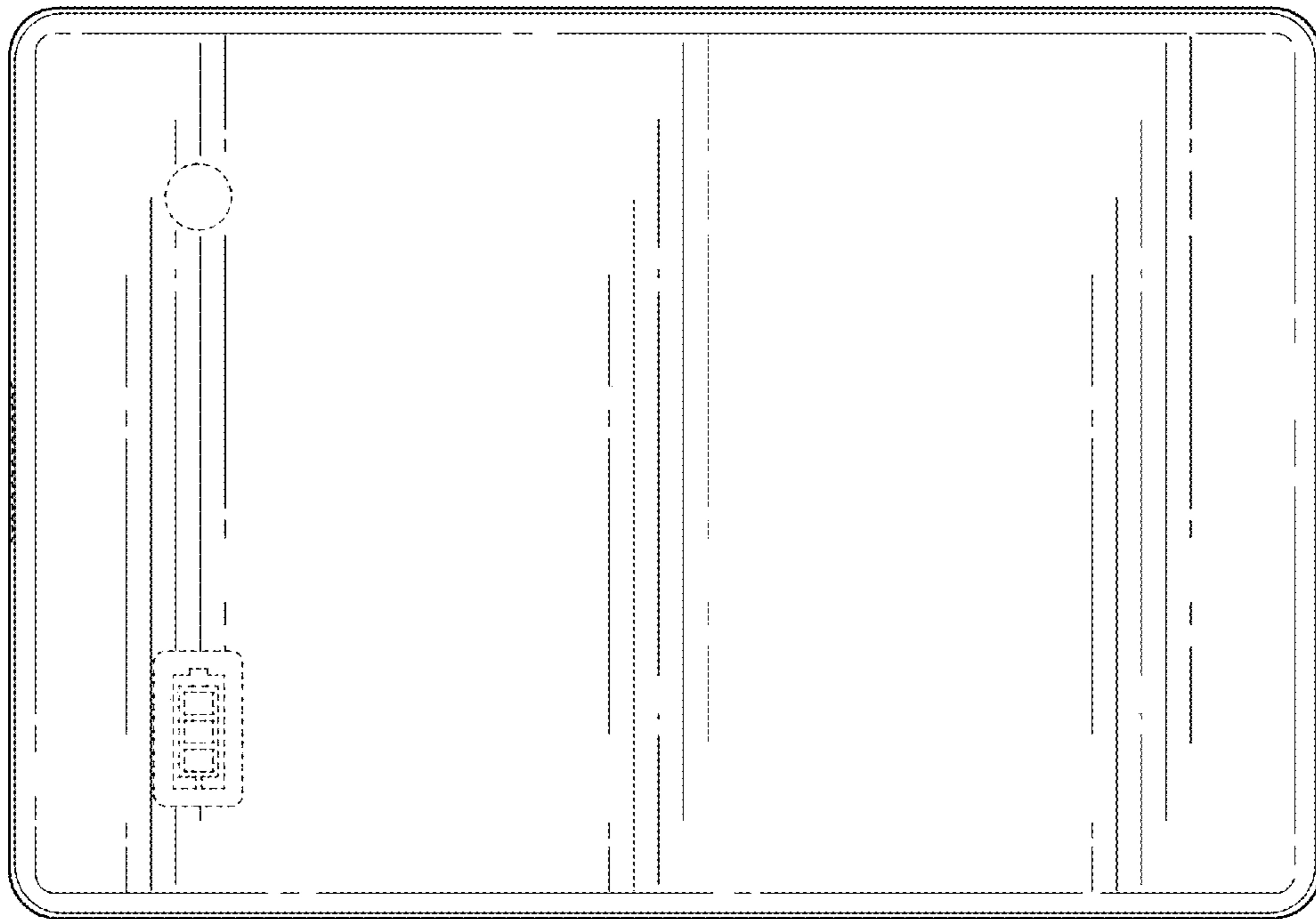


FIG. 5

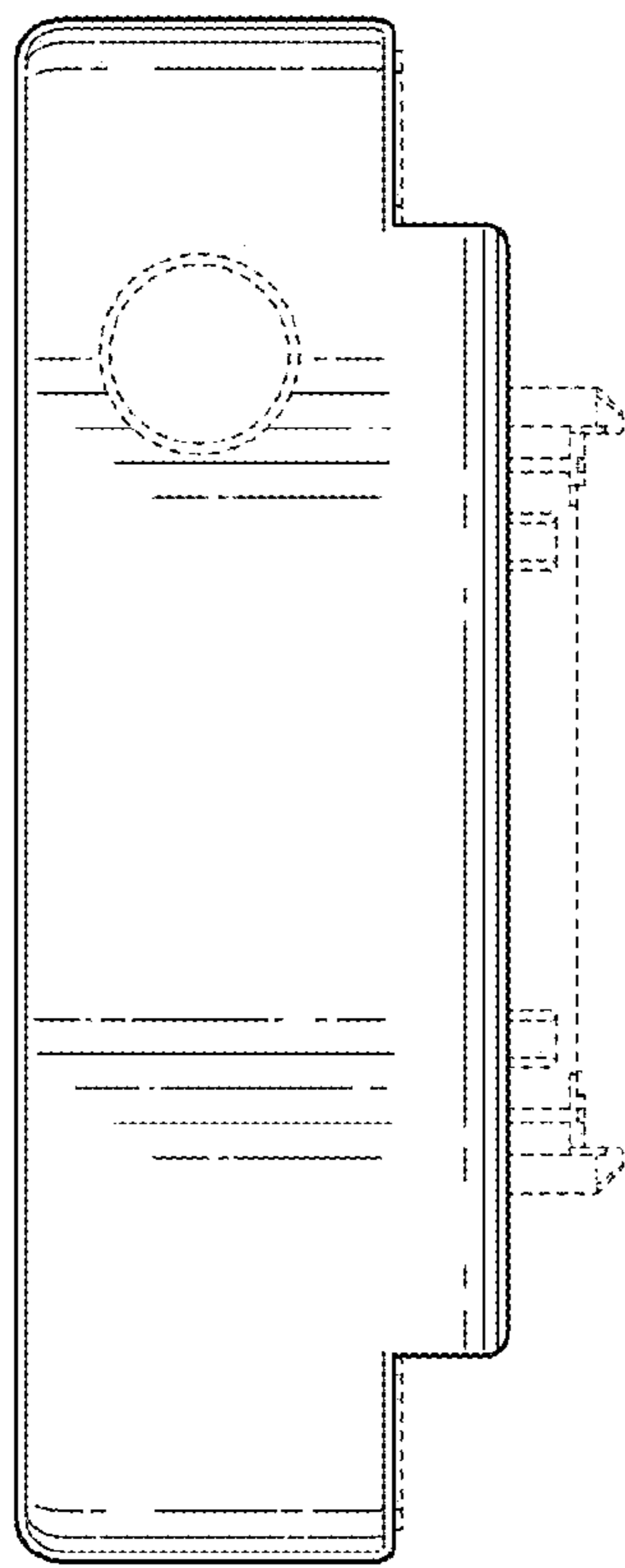


FIG. 6

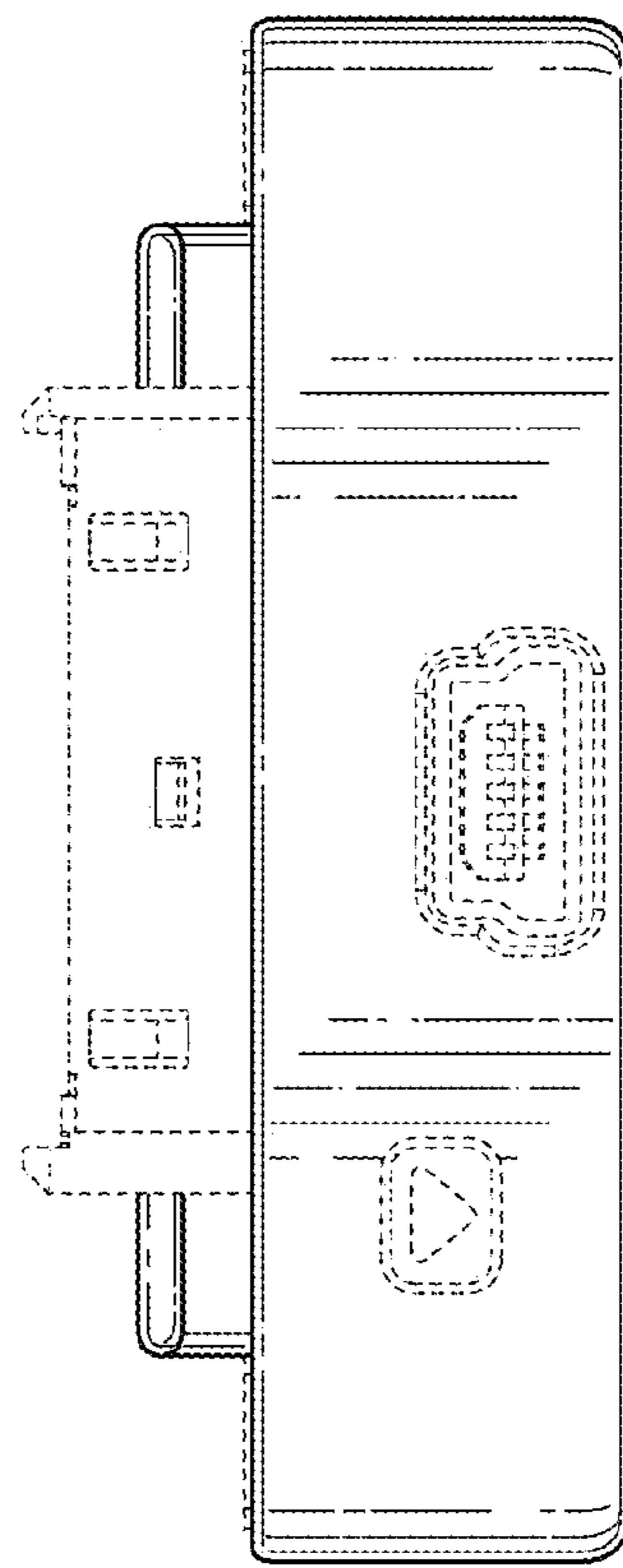


FIG. 7

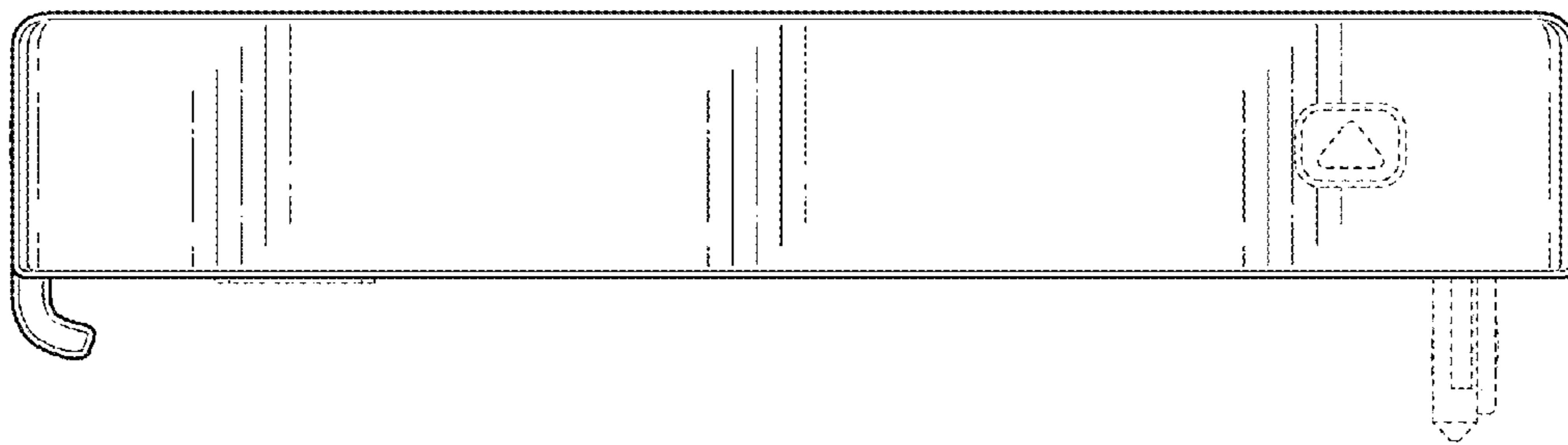


FIG. 8

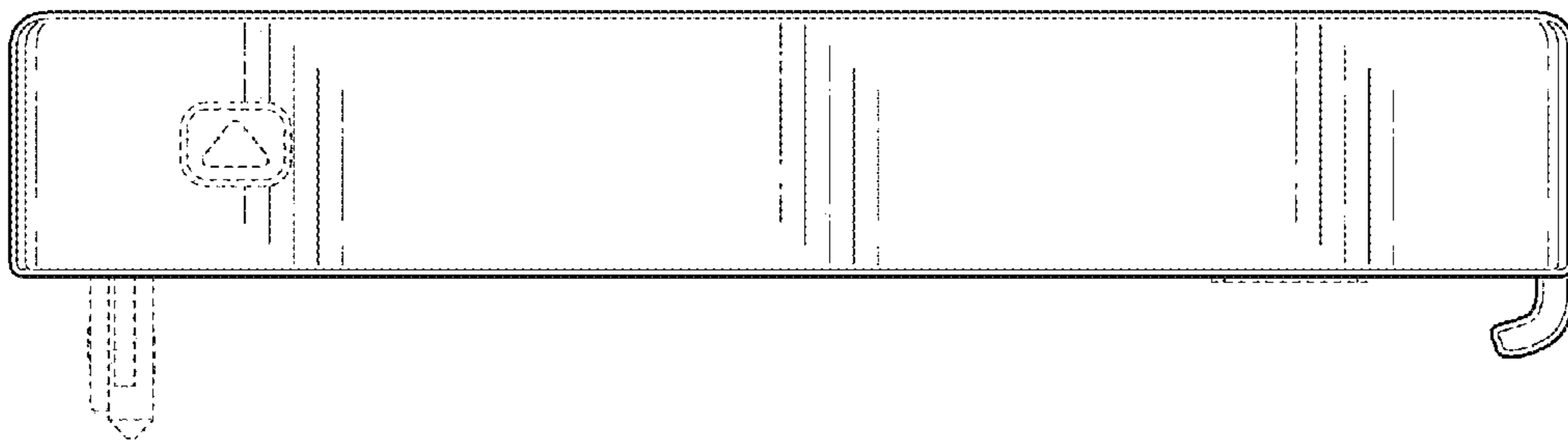


FIG. 9