

US00D727907S

(12) **United States Design Patent**
Higashi

(10) **Patent No.:** **US D727,907 S**
(45) **Date of Patent:** **** Apr. 28, 2015**

(54) **ELECTRIC CONNECTOR**

(71) Applicant: **Tra Company Ltd.**, Osaka (JP)

(72) Inventor: **Ryo Higashi**, Osaka (JP)

(73) Assignee: **Tra Company Ltd.**, Osaka (JP)

(**) Term: **14 Years**

(21) Appl. No.: **29/511,017**

(22) Filed: **Dec. 5, 2014**

(30) **Foreign Application Priority Data**

Jun. 25, 2014 (JP) 2014-013855

(51) **LOC (10) Cl.** **14-02**

(52) **U.S. Cl.**
USPC **D14/433**

(58) **Field of Classification Search**
CPC H01R 24/64; H01R 24/62; H01R 12/714;
H01R 13/506; H01R 13/6658
USPC D14/356-358, 383-385, 420, 426, 427,
D14/432-439, 447, 453, 454, 217, 253,
D14/299; D13/107, 108, 133, 146, 147,
D13/152, 154, 156, 158, 162, 162.1, 168,
D13/173, 177, 153; 439/131, 172-174, 373,
439/378, 607.41, 607.55, 607.34, 40;
361/679.08, 679.56, 679.21, 679.4;
174/359
See application file for complete search history.

(56) **References Cited**

U.S. PATENT DOCUMENTS

D548,700 S * 8/2007 Ledbetter et al. D13/154
D552,604 S * 10/2007 Andre et al. D14/242
D563,899 S * 3/2008 Goetz et al. D13/154
D585,835 S * 2/2009 Jaqua et al. D13/154
D588,545 S * 3/2009 Andre et al. D13/154
D599,740 S * 9/2009 Guccione et al. D13/147
D599,800 S * 9/2009 Klein et al. D14/433

D600,652 S * 9/2009 Hong et al. D13/154
D604,725 S * 11/2009 Chen D14/240
D619,963 S * 7/2010 Hou D13/133
D628,537 S * 12/2010 Nagata et al. D13/147
D631,883 S * 2/2011 Maier D14/435.1
D631,885 S * 2/2011 Maier D14/435.1
D636,337 S * 4/2011 Smith et al. D13/147
D648,726 S * 11/2011 Behar et al. D14/435.1
D680,076 S * 4/2013 McManigal D13/147
D680,539 S * 4/2013 Kim D14/433
D682,835 S * 5/2013 Daniel D14/433
D683,703 S * 6/2013 Akana et al. D13/147
D684,976 S * 6/2013 Akana et al. D14/433
D692,390 S * 10/2013 Smith et al. D13/153
D694,243 S * 11/2013 Akana et al. D14/433
D699,188 S * 2/2014 Akana et al. D13/147
D709,032 S * 7/2014 Akana et al. D13/147
D713,350 S * 9/2014 Akana et al. D13/147
8,926,337 B2 * 1/2015 Siahaan et al. 439/40

* cited by examiner

Primary Examiner — Austin Murphy

(74) *Attorney, Agent, or Firm* — Cermak Nakajima & McGowan LLP; Tomoko Nakajima

(57) **CLAIM**

The ornamental design for an electric connector, as shown and described.

DESCRIPTION

FIG. 1 is a front perspective view of an electric connector showing my new design;
FIG. 2 is a front elevational view thereof;
FIG. 3 is a top plan view thereof;
FIG. 4 is a bottom plan view thereof.
FIG. 5 is a right side elevational view thereof;
FIG. 6 is a left side elevational view thereof; and
FIG. 7 is a rear elevational view thereof.
FIG. 8 is a cross sectional view taken along the line 8-8 in FIG. 2 thereof;
FIG. 9 is a cross sectional view taken along the line 9-9 in FIG. 2 thereof; and,
FIG. 10 is a front elevational view thereof in a using state.

1 Claim, 10 Drawing Sheets

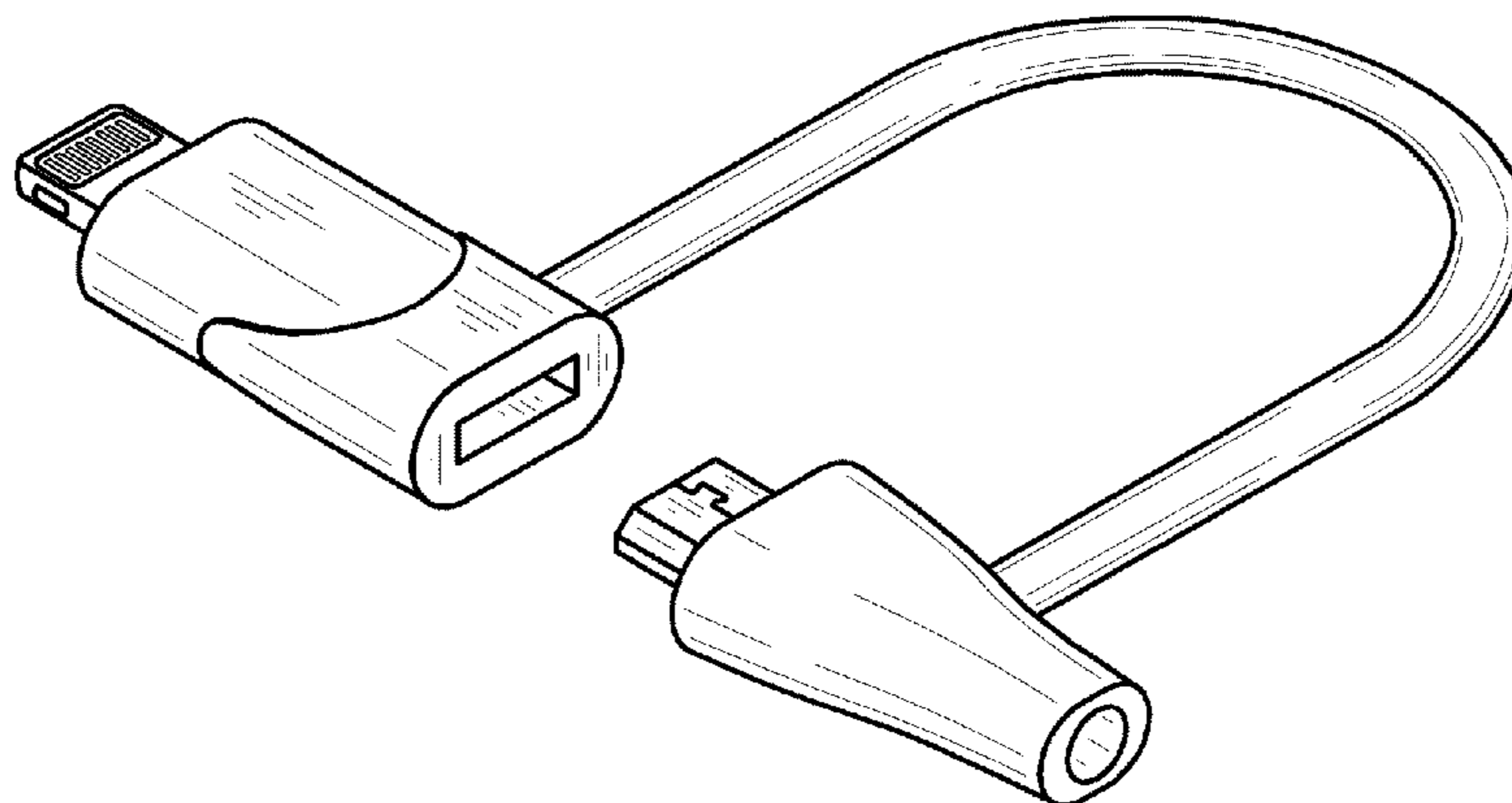


FIG. 1

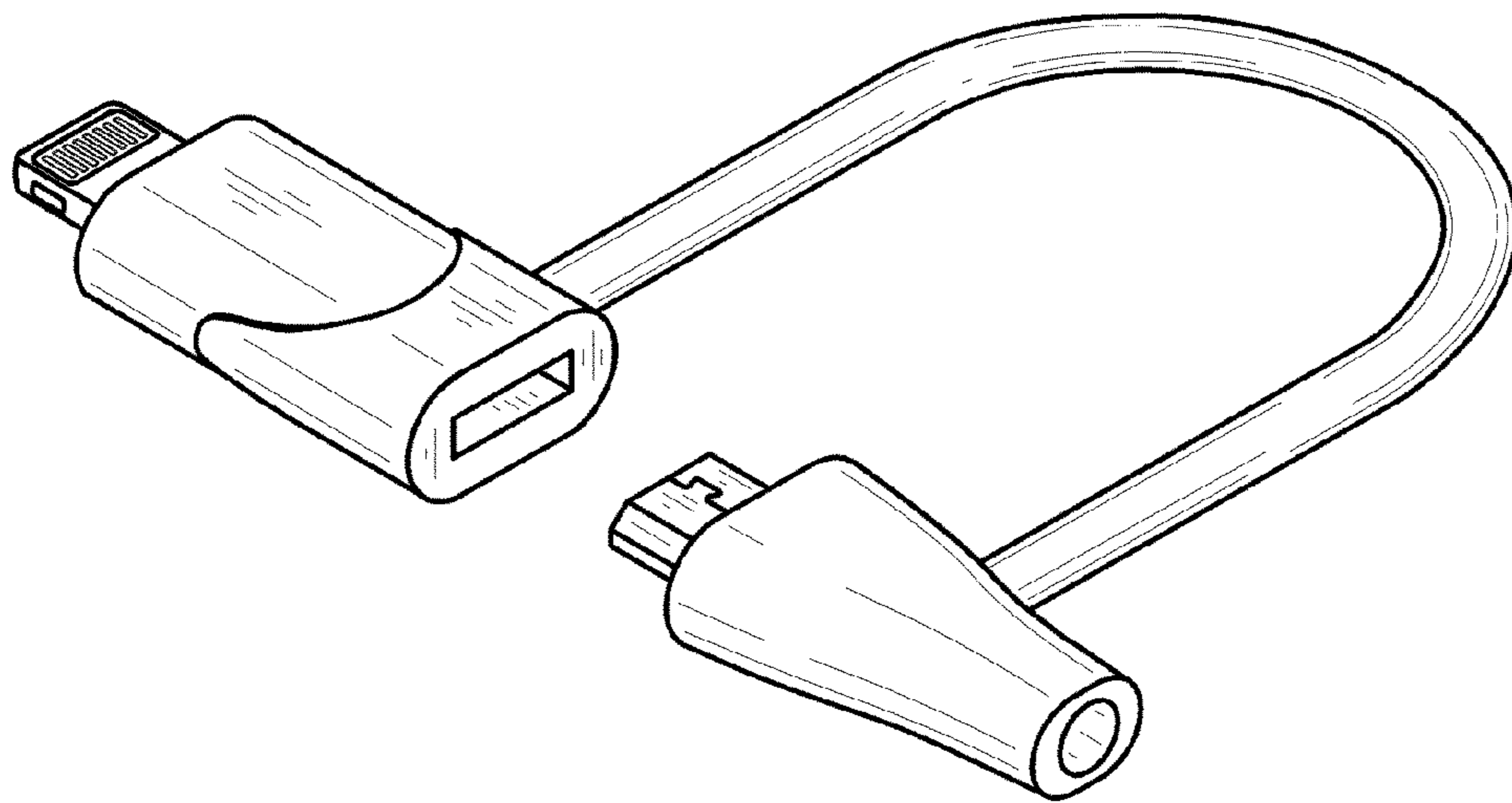


FIG.2

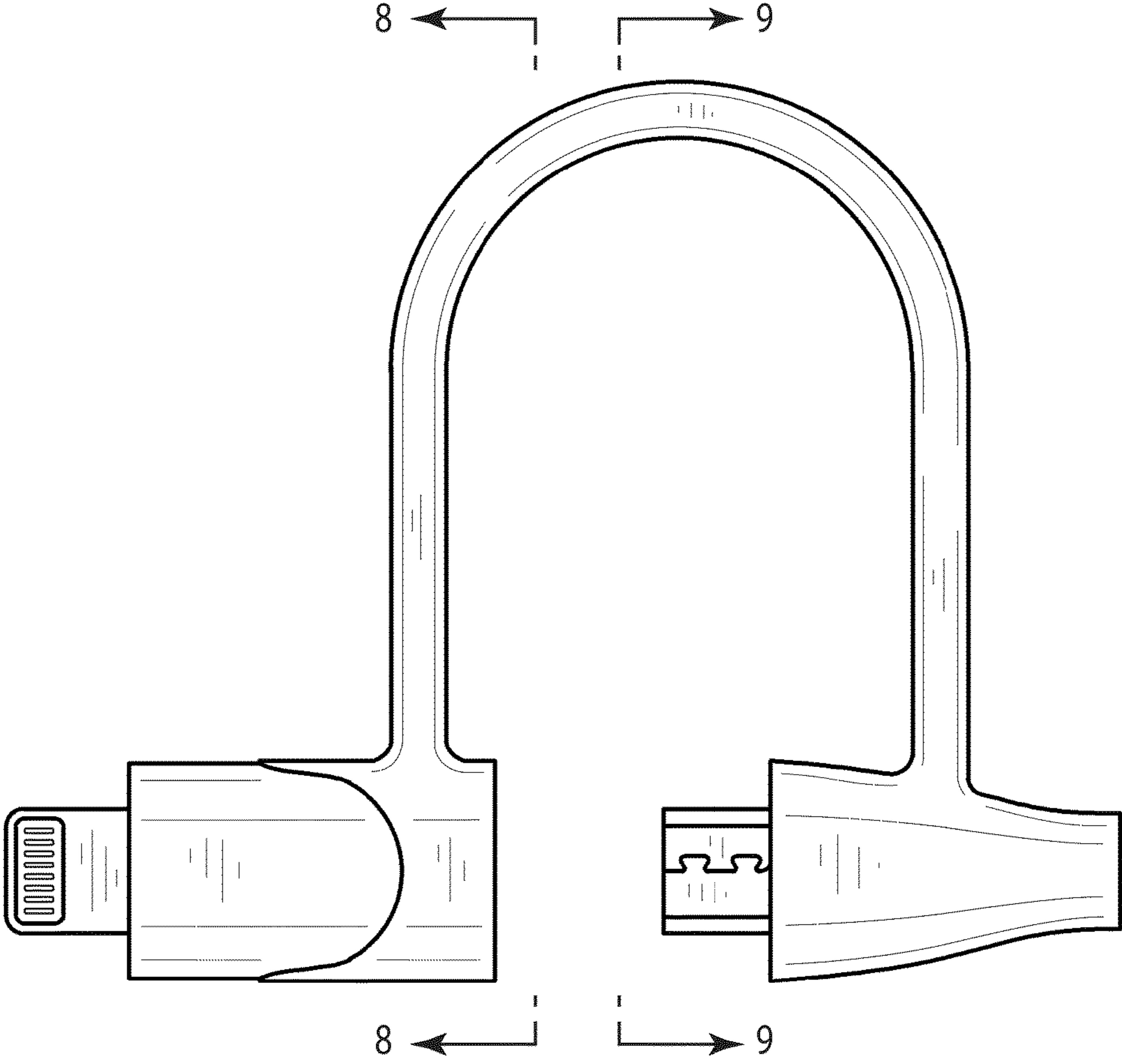


FIG.3

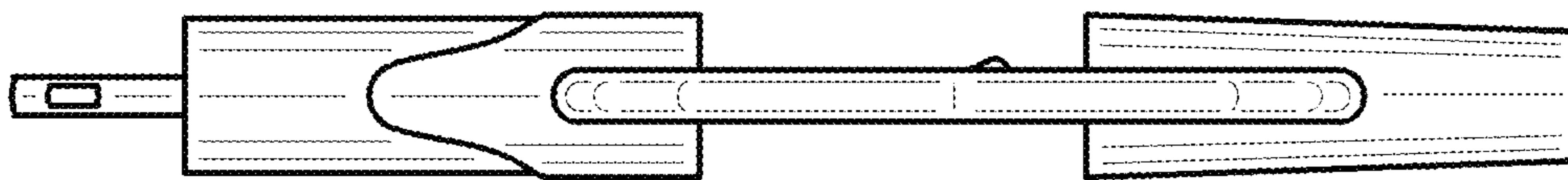


FIG.4

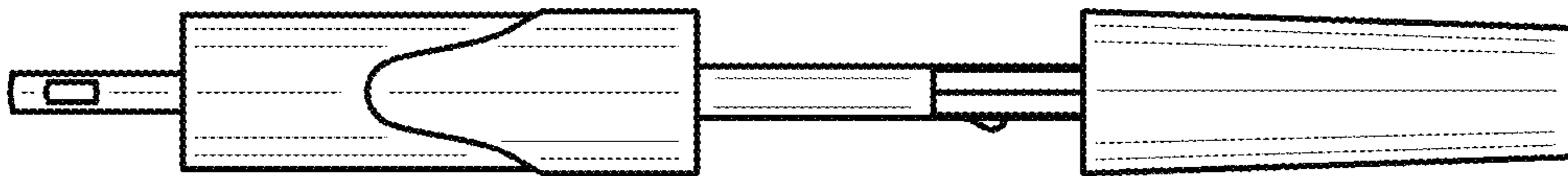


FIG. 5

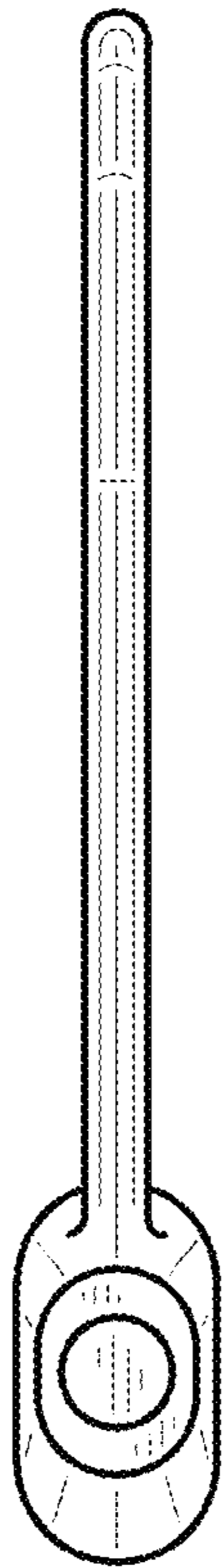


FIG.6

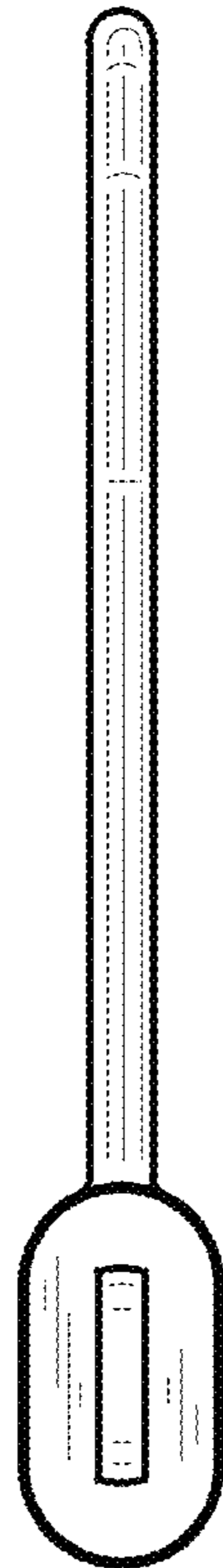


FIG.7

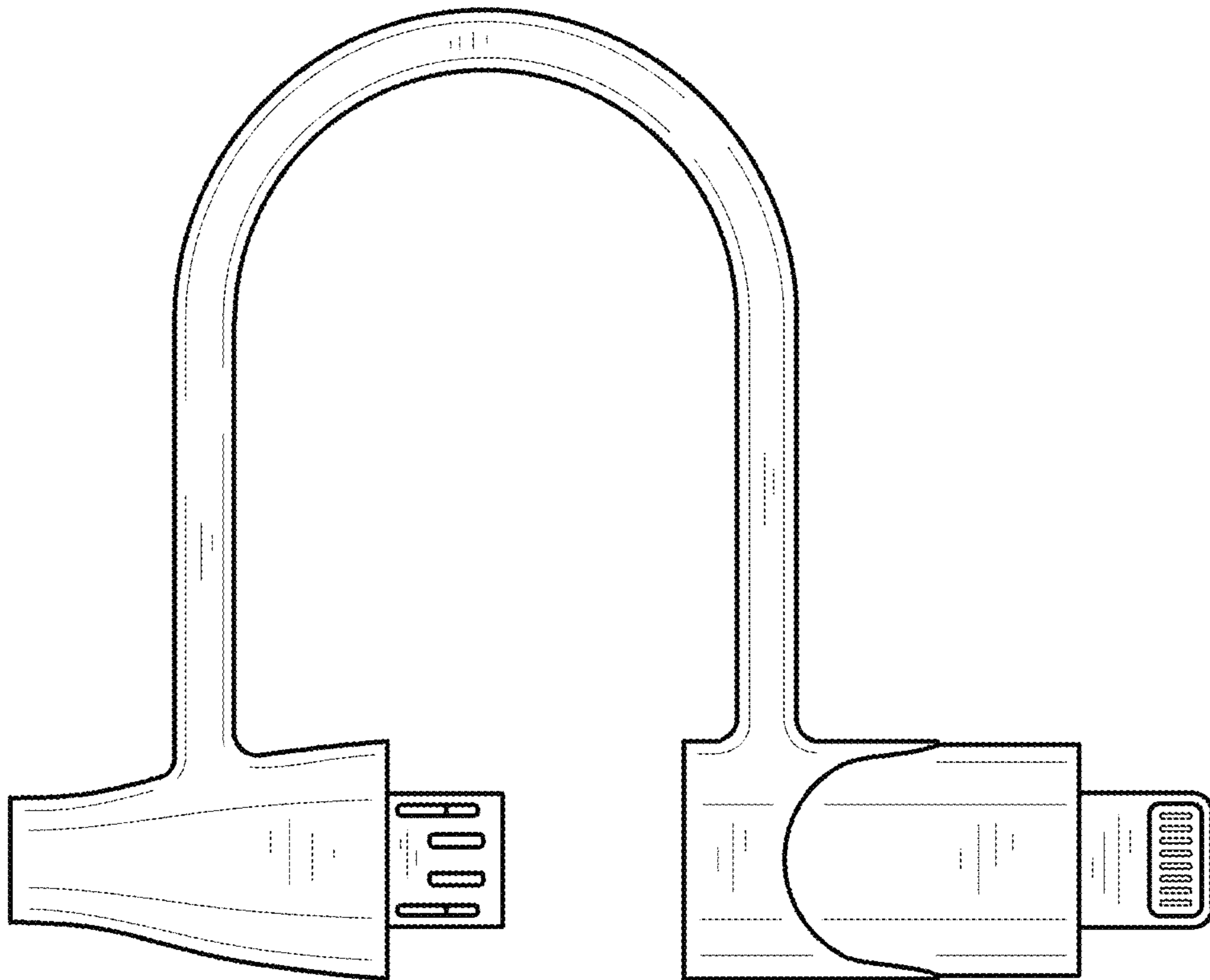


FIG.8

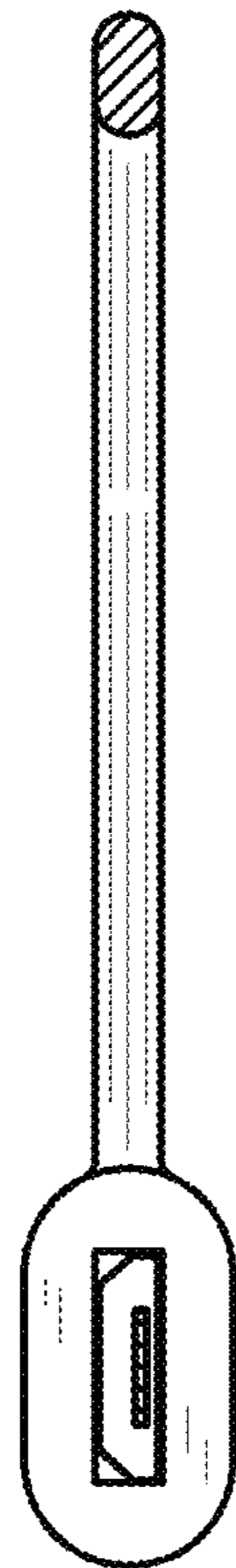


FIG.9

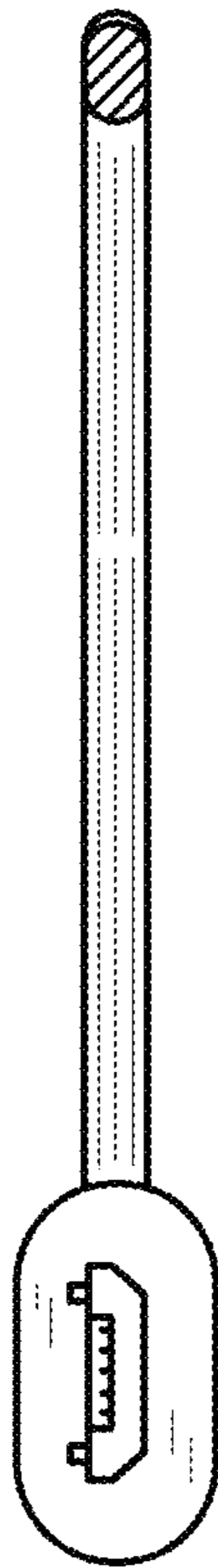


FIG. 10

