



US00D727906S

(12) **United States Design Patent**  
**Neumann**

(10) **Patent No.:** **US D727,906 S**  
(45) **Date of Patent:** **\*\* Apr. 28, 2015**

(54) **WIRELESS COMMUNICATION MODULE**

(71) Applicant: **I+ME ACTIA Informatik und Mikro-Elektronik GmbH,**  
Braunschweig (DE)

(72) Inventor: **Manfred Neumann,** Braunschweig (DE)

(73) Assignee: **I+ME ACTIA Informatik und Mikro-Elektronik GmbH,**  
Braunschweig (DE)

(\*\*) Term: **14 Years**

(21) Appl. No.: **29/448,551**

(22) Filed: **Mar. 13, 2013**

(30) **Foreign Application Priority Data**

Sep. 13, 2012 (WO) ..... DEN/691647301

(51) **LOC (10) Cl.** ..... **14-02**

(52) **U.S. Cl.**

USPC ..... **D14/433; D14/358; D14/439; D14/453**

(58) **Field of Classification Search**

USPC ..... D13/103, 184, 199; D14/125, 137, 155,  
D14/167, 188, 203.1–203.8, 217, 230,  
D14/238–242, 299–300, 356, 358, 363, 365,  
D14/367–368, 370, 432–435.1, 436,  
D14/480.1–480.7, 483–484.1, 496;  
361/679.31–679.41, 752;  
710/300–304; 711/100, 115

See application file for complete search history.

(56) **References Cited**

**U.S. PATENT DOCUMENTS**

5,107,428 A \* 4/1992 Bethencourt et al. .... 701/29.2  
D400,455 S \* 11/1998 Fisher ..... D10/78  
6,459,968 B1 \* 10/2002 Kochie ..... 701/31.4

(Continued)

**FOREIGN PATENT DOCUMENTS**

EP 000934260-0001 \* 5/2008  
KR 3020060000815 \* 6/2006

(Continued)

**OTHER PUBLICATIONS**

Wholesale—150M IEEE802.11 G/ N USB 2.0 Wireless LAN Card WiFi Adapter for Desktop PC Computer10pcs. [online]. DHgate.com, 2013 [retrieved on Nov. 26, 2013]. Retrieved from the Internet: <URL: <http://www.dhgate.com/product/150m-ieee802-11-g-n-usb-2-0-wireless-lan/124339745.html>>.\*

(Continued)

*Primary Examiner* — Deanna L Pratt

(74) *Attorney, Agent, or Firm* — Whitham Curtis Christofferson & Cook, PC

(57) **CLAIM**

I claim the ornamental design for a wireless communication module, as shown and described.

**DESCRIPTION**

FIG. 1 is a perspective view of a wireless communication module;

FIG. 2 is a second perspective view of a wireless communication module;

FIG. 3 is a third perspective view of a wireless communication module;

FIG. 4 is front elevation view of a wireless communication module;

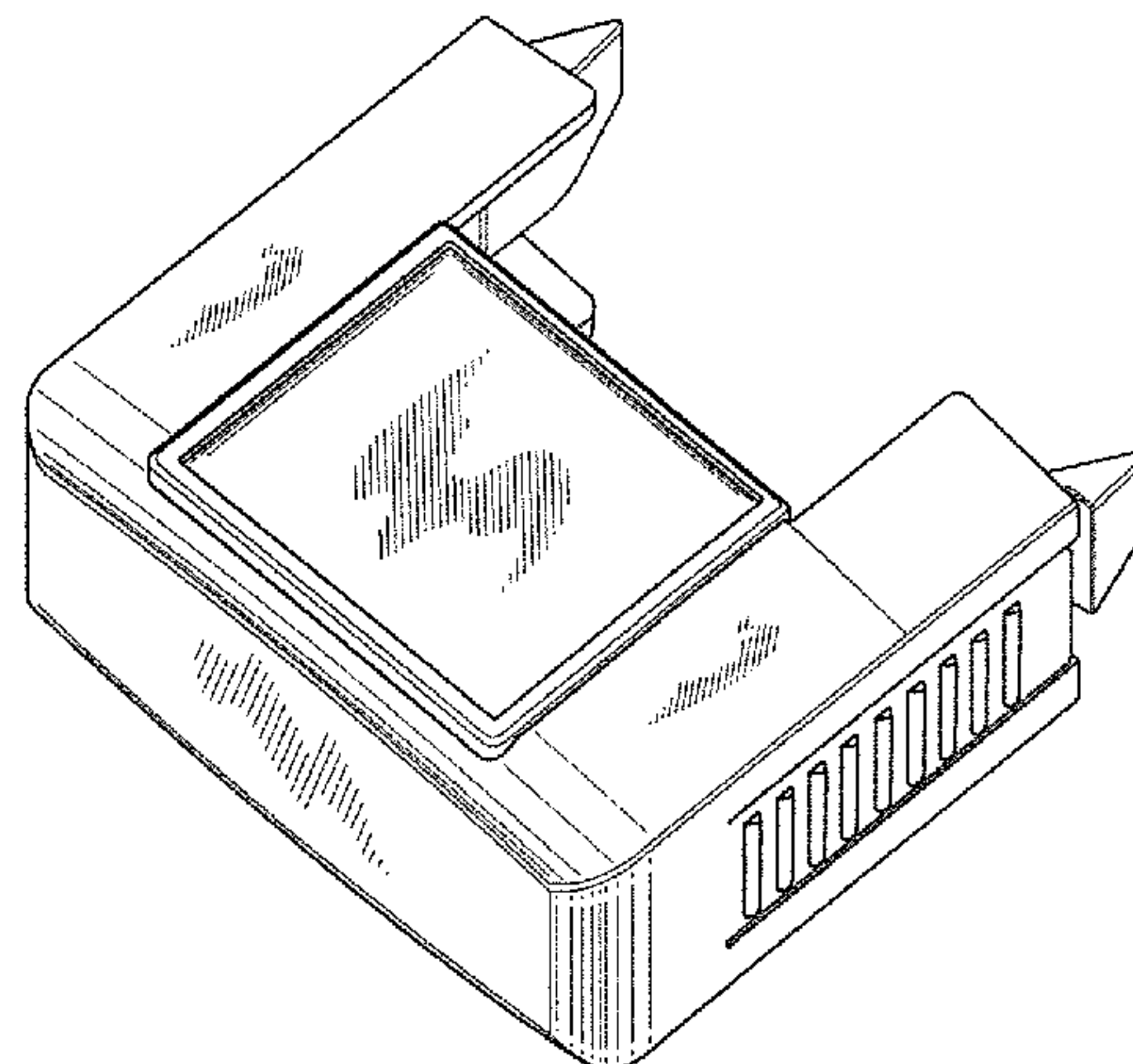
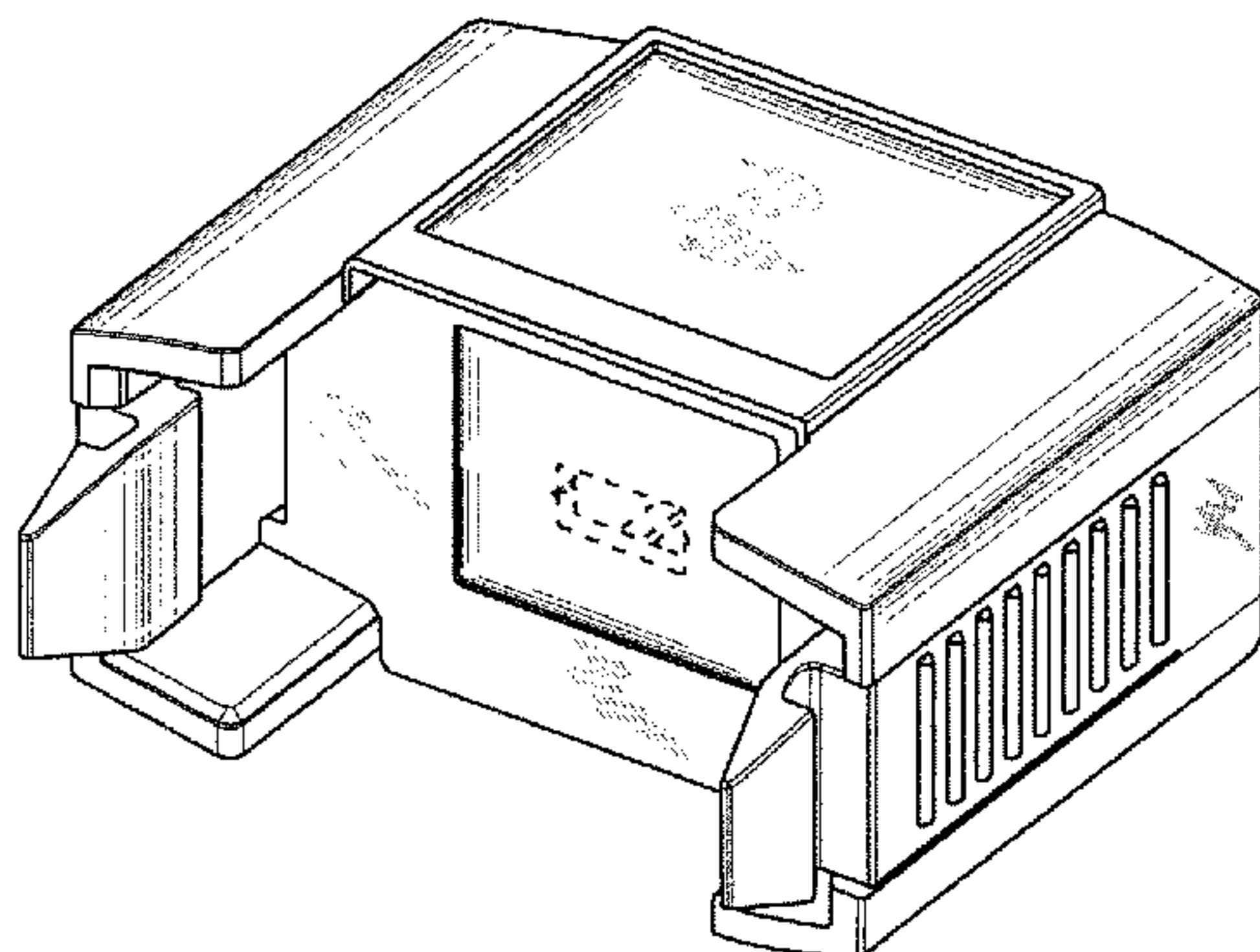
FIG. 5 is a top plan view of a wireless communication module;

FIG. 6 is a bottom plan view of a wireless communication module; and,

FIG. 7 is a right side elevation view of a wireless communication module, the left side elevation view being a mirror image thereof.

Broken line areas show portions of the wireless communication module which form no part of the claimed design.

**1 Claim, 7 Drawing Sheets**



(56)

References Cited

U.S. PATENT DOCUMENTS

D492,307	S	*	6/2004	Aqqad et al.	.....	D14/480.5
D520,996	S	*	5/2006	Deng	.....	D14/480.5
D534,167	S	*	12/2006	Harkabi et al.	.....	D14/480.5
D542,787	S	*	5/2007	Siu	.....	D14/480.5
D543,202	S	*	5/2007	Siu	.....	D14/480.5
D545,318	S	*	6/2007	Klenske et al.	.....	D14/484.1
D556,751	S	*	12/2007	Rambosek et al.	.....	D14/480.6
D571,241	S	*	6/2008	Andreasen et al.	.....	D10/78
D584,313	S	*	1/2009	Pittel et al.	.....	D14/434
D610,156	S	*	2/2010	Mudrick	.....	D14/480.5
D642,585	S	*	8/2011	Lan et al.	.....	D14/480.5
D658,192	S	*	4/2012	Cullen et al.	.....	D14/453
D659,668	S	*	5/2012	Neumann	.....	D14/155
D669,904	S	*	10/2012	Ni et al.	.....	D14/480.7
D670,297	S	*	11/2012	Huang	.....	D14/480.5
D698,674	S	*	2/2014	Mattsson	.....	D10/78
D698,675	S	*	2/2014	Sallander	.....	D10/78
D703,671	S	*	4/2014	Hackett et al.	.....	D14/433
D716,732	S	*	11/2014	Neumann	.....	D13/133
D716,803	S	*	11/2014	Neumann	.....	D14/358
D716,804	S	*	11/2014	Neumann	.....	D14/358
2004/0253997	A1	*	12/2004	Kochie	.....	455/575.1

FOREIGN PATENT DOCUMENTS

KR	300495746.0000	*	6/2008
KR	300501440.0000	*	8/2008

OTHER PUBLICATIONS

Cables Unlimited Wireless USB Adapter Kit with Transmitter and Receiver with Base. [online]. Buy.com, 2013 [retrieved on Nov. 26, 2013]. Retrieved from the Internet: <URL: <http://www.rakuten.com/prod/cables-unlimited-wireless-usb-adapter-kit-with-transmitter-and/209708411.html>>.\*

Wireless USB adapter kit heads to UK. [online]. Meyer, David, 2008 [retrieved on Nov. 26, 2013]. Retrieved from the Internet: <URL: <http://www.zdnet.com/wireless-usb-adapter-kit-heads-to-uk-3039548110/>>.\*

Warpia Wireless USB Adapter Connects PC and TV. [online]. GadgetsIn, 2013 [retrieved on Nov. 26, 2013]. Retrieved from the Internet: <URL: <http://gadgetsIn.com/warpia-wireless-usb-adapter-connects-pc-and-tv.htm>>.\*

Atlona AT-HDAiR Wireless USB to VGA/HDMI Adapter. [online]. Size, Kelvin, 2009 [retrieved on Nov. 26, 2013]. Retrieved from the Internet: <URL: <http://www.itechnews.net/2009/07/16/atlona-at-hdair-wireless-usb-to-vgahdmi-adapter/>>.\*

Sierra Wireless USB Modem to Debut on Sprint Mobile Broadband Network . [online]. Verdant Industries Ltd., 2007 [retrieved on Nov. 26, 2013]. Retrieved from the Internet: <URL: <http://www.ehomeupgrade.com/2007/03/26/sierra-wireless-usb-modem-to-debut-on-sprint-mobile-broadband-network/>>.\*

\* cited by examiner

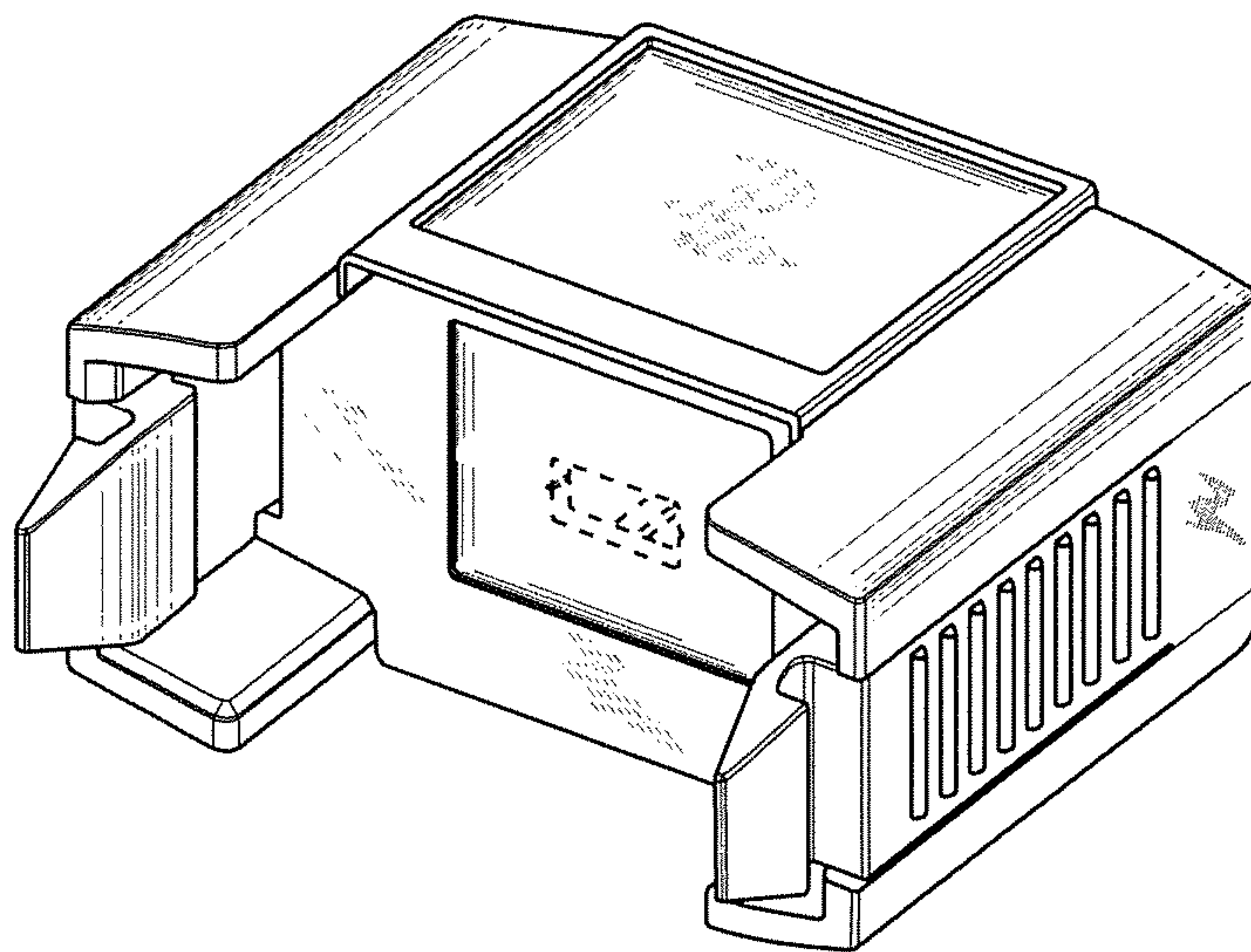


Figure 1



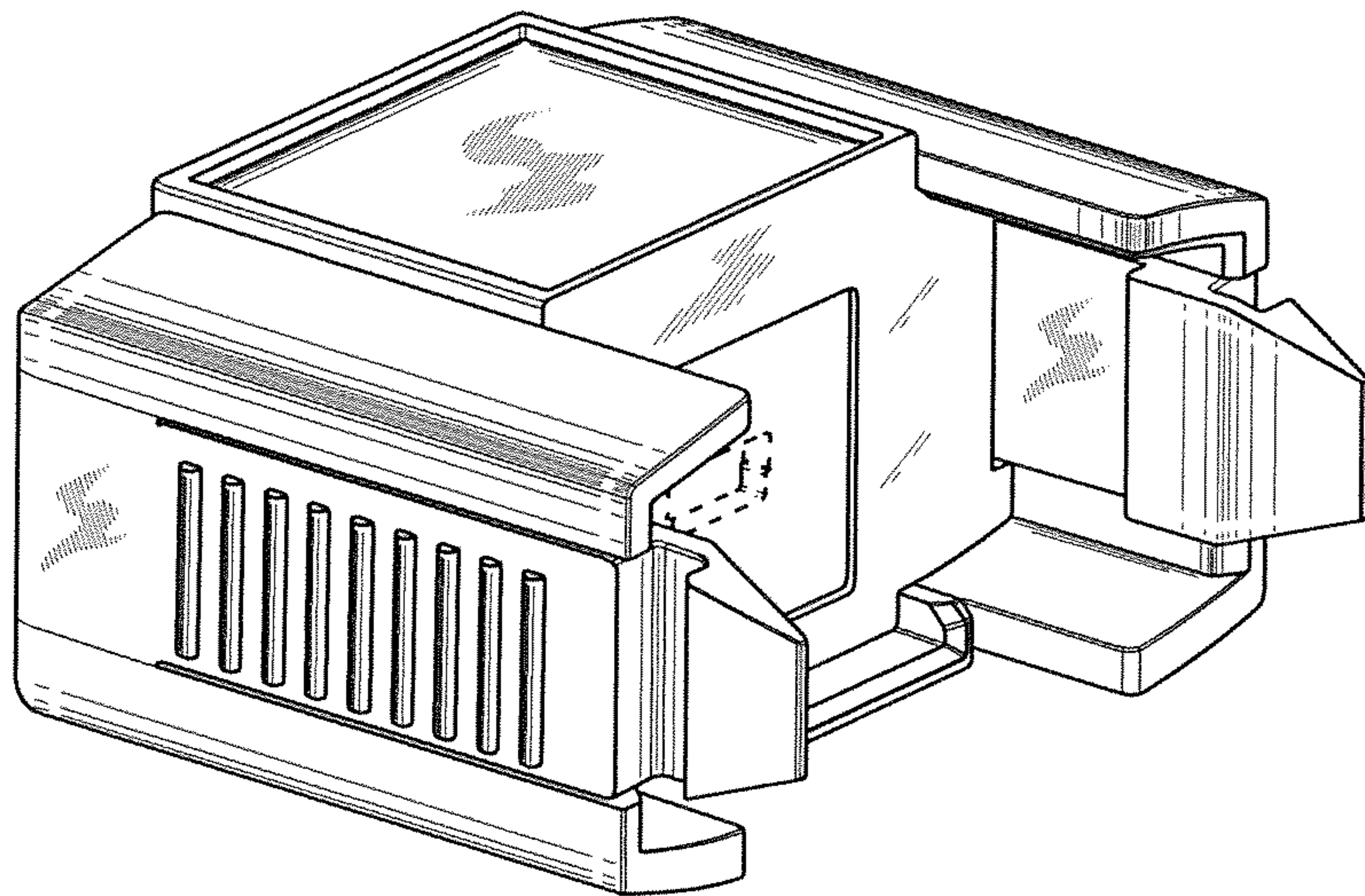


Figure 2

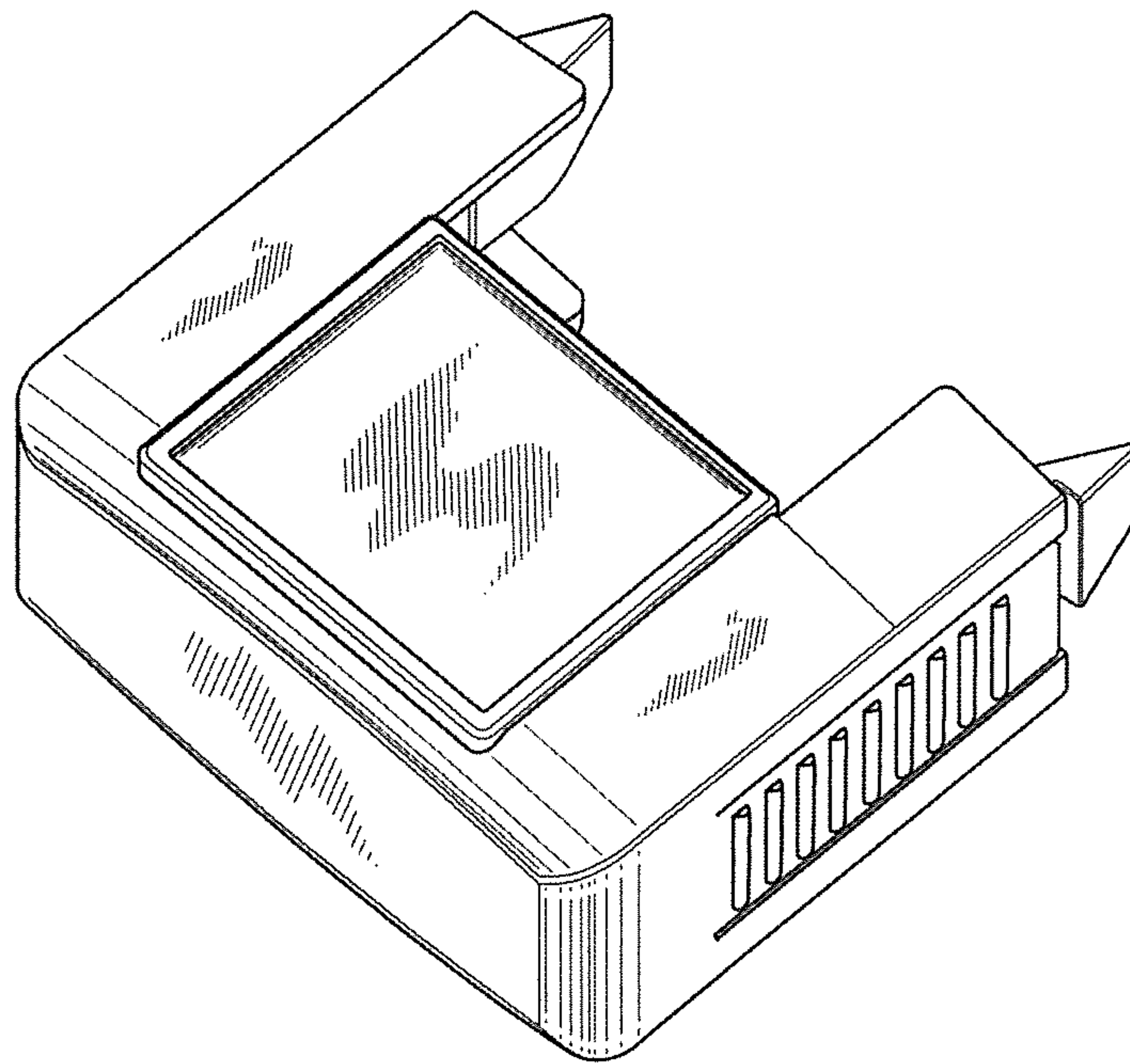


Figure 3

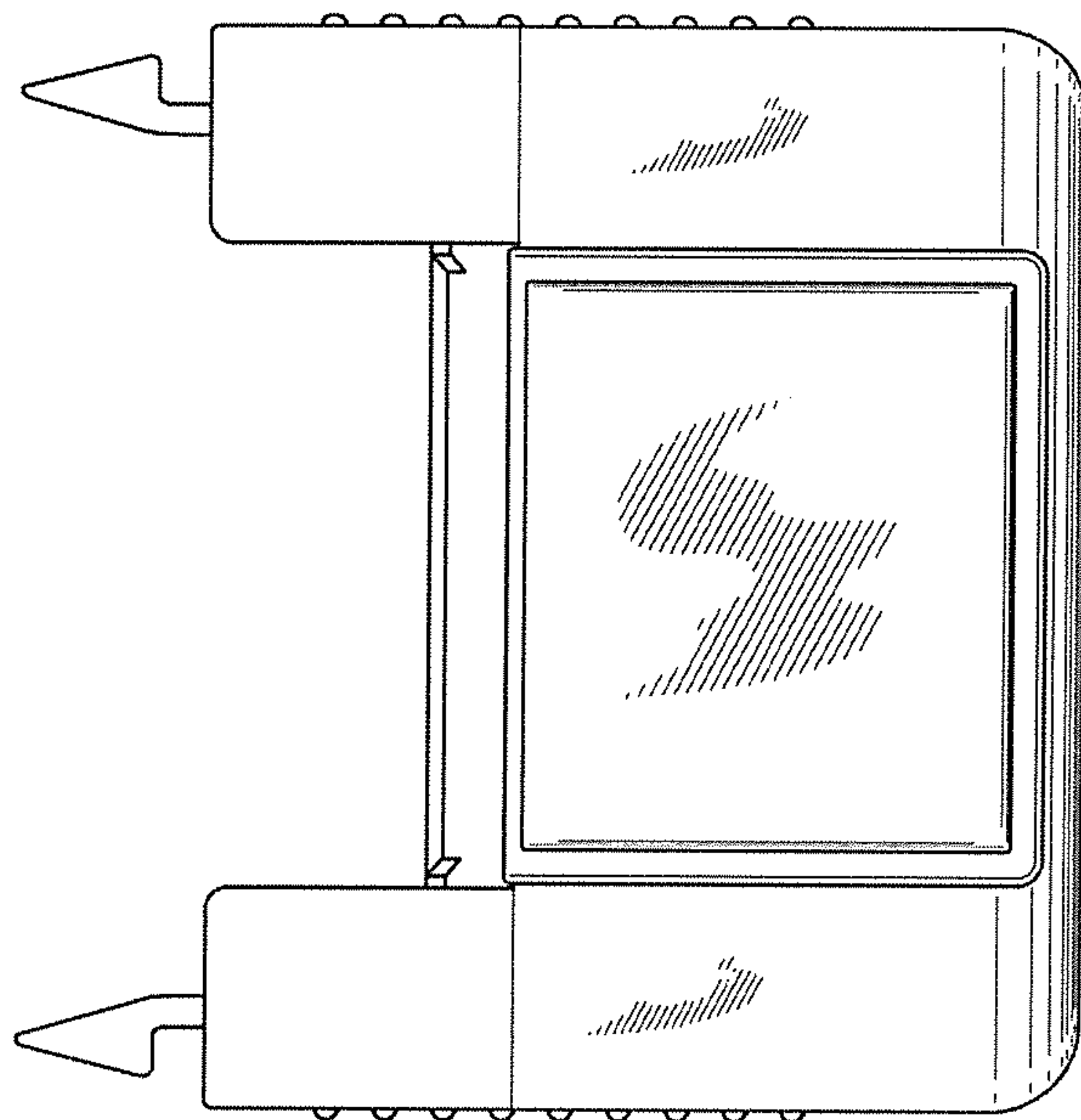


Figure 4

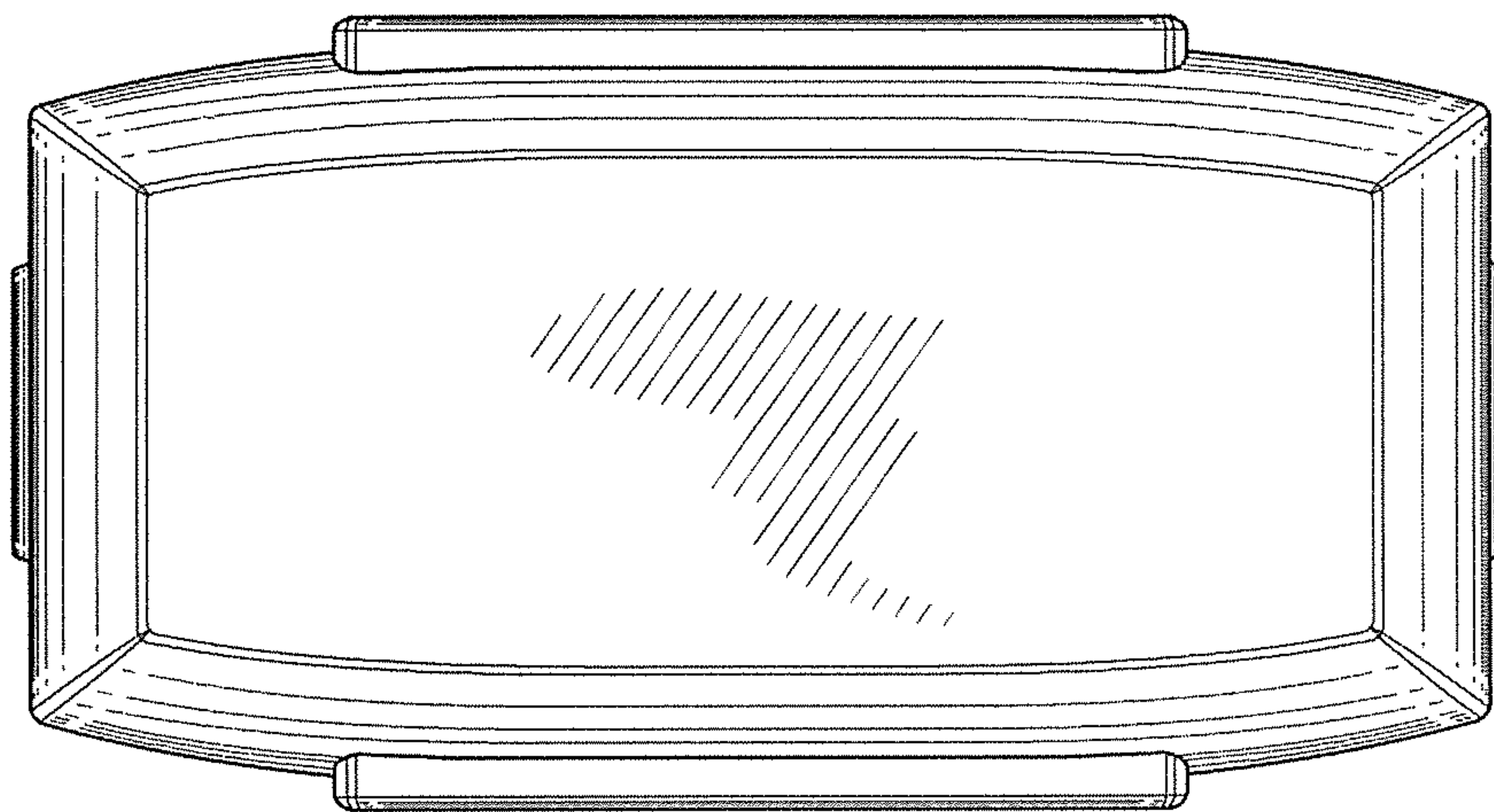


Figure 5

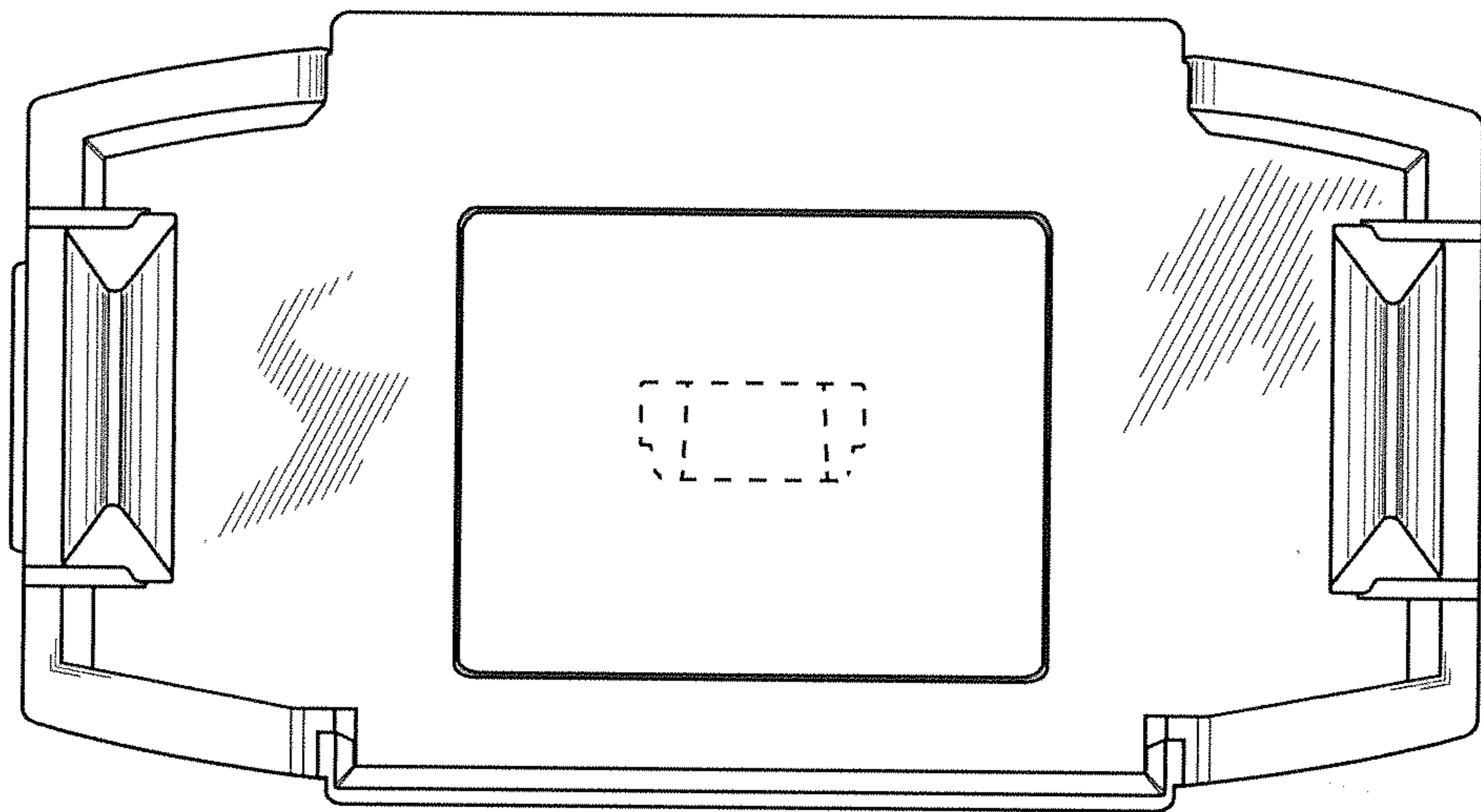


Figure 6



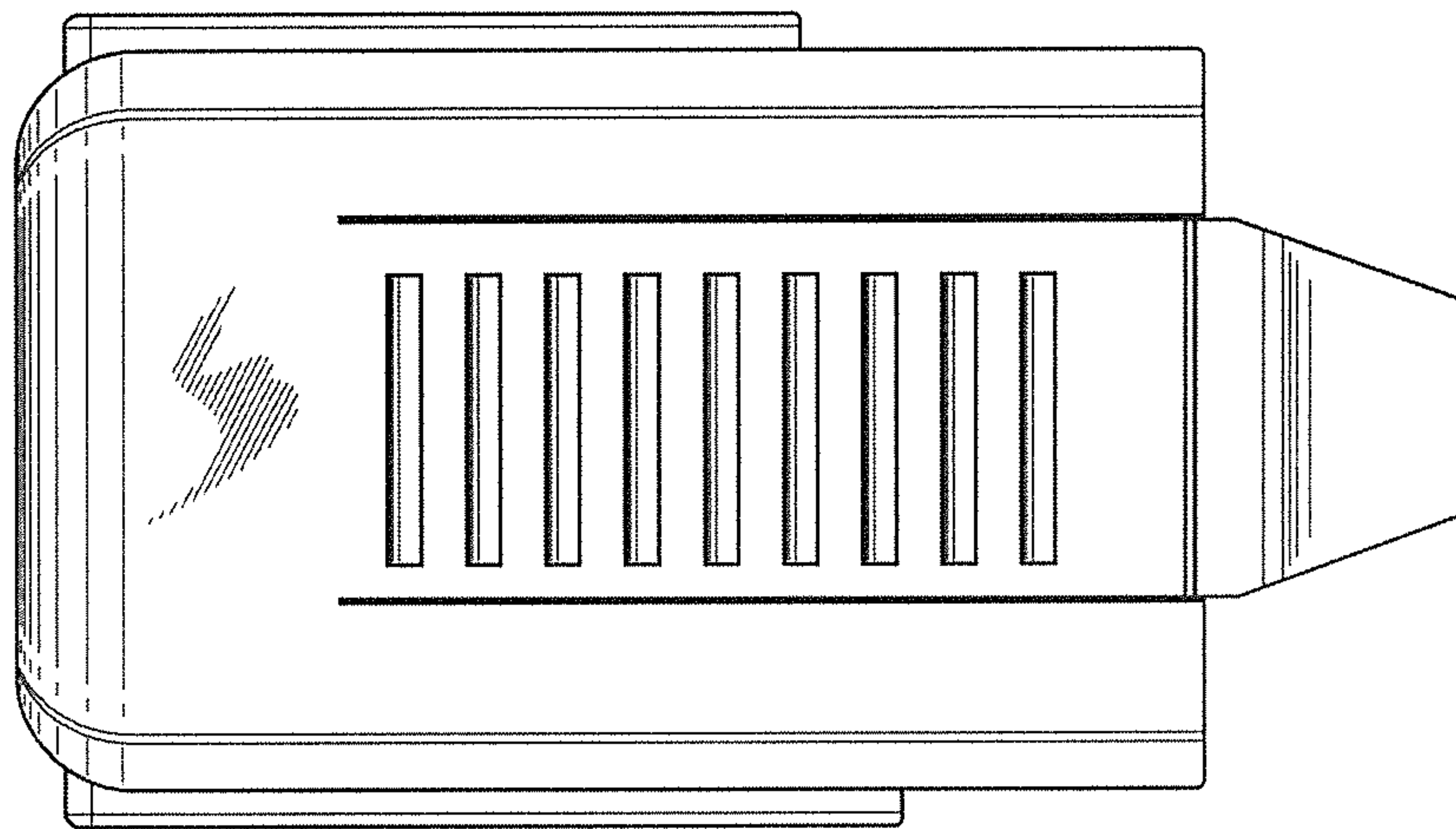


Figure 7