



US00D727903S

(12) **United States Design Patent**
Madsen

(10) **Patent No.:** **US D727,903 S**
(45) **Date of Patent:** **** Apr. 28, 2015**

(54) **FINGER STYLUS FOR TOUCH SCREEN DEVICES**

(71) Applicant: **Cary Madsen**, Irving, TX (US)

(72) Inventor: **Cary Madsen**, Irving, TX (US)

(**) Term: **14 Years**

(21) Appl. No.: **29/510,477**

(22) Filed: **Nov. 28, 2014**

Related U.S. Application Data

(63) Continuation of application No. 14/499,480, filed on Sep. 29, 2014.

(51) **LOC (10) Cl.** **14-02**

(52) **U.S. Cl.**
USPC **D14/411**

(58) **Field of Classification Search**
USPC D8/61; D14/411; D19/35, 36, 41-51, D19/54-58; 401/55, 99, 100, 104-107, 8, 401/196, 197, 202, 208, 209, 213, 192, 195, 401/243; 708/107; 345/179, 173, 156; 178/19.01; 700/94; D11/3, 5
See application file for complete search history.

(56) **References Cited**

U.S. PATENT DOCUMENTS

D418,494 S * 1/2000 Robb D14/411
D458,933 S * 6/2002 Schneider D14/411
D487,746 S * 3/2004 Fitch et al. D14/411
D487,896 S * 3/2004 Tanner, Jr. D14/411

D544,484 S * 6/2007 Hussaini et al. D14/411
D576,625 S * 9/2008 Trigg et al. D14/411
D597,547 S * 8/2009 Smith D14/411
D610,145 S * 2/2010 Smith D14/411
D616,447 S * 5/2010 Smith D14/411
D639,808 S * 6/2011 Smith D14/411
D662,500 S * 6/2012 OQuin D14/411
D684,974 S * 6/2013 Blankenbaker, Jr. D14/411
D700,909 S * 3/2014 Bowser D14/432
D705,228 S * 5/2014 Peters D14/411
D718,311 S * 11/2014 Burke D14/411

* cited by examiner

Primary Examiner — Austin Murphy

(74) *Attorney, Agent, or Firm* — Steven L. Fisher-Stawinski; Robert W. Gray; The Gray Law Group, Ltd

(57) **CLAIM**

The ornamental design for a for a finger stylus for touch screen devices, as shown and described.

DESCRIPTION

FIG. 1 is a left side profile view of a finger stylus for touch screen devices showing my new design.

FIG. 2 is a rear view of a finger stylus for touch screen devices showing my new design.

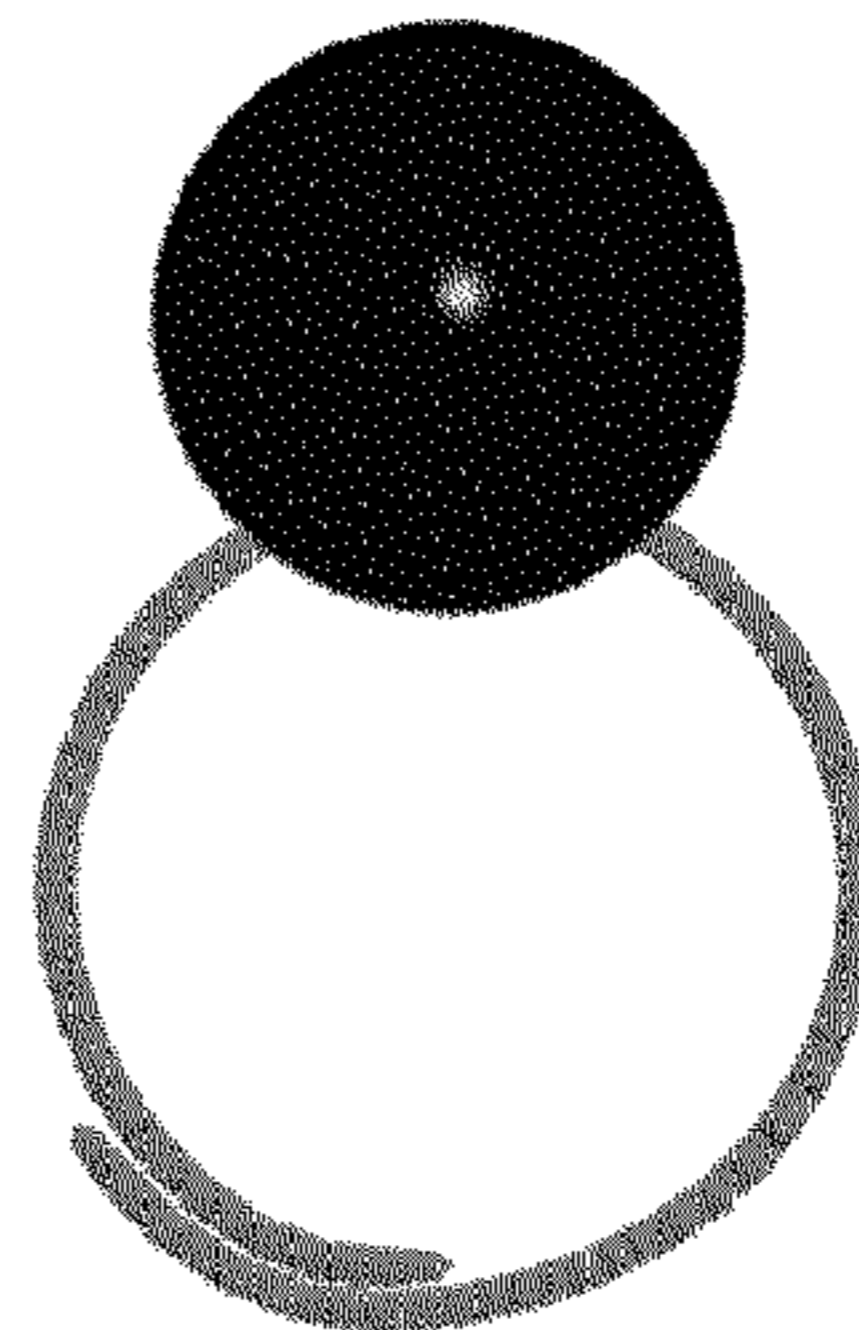
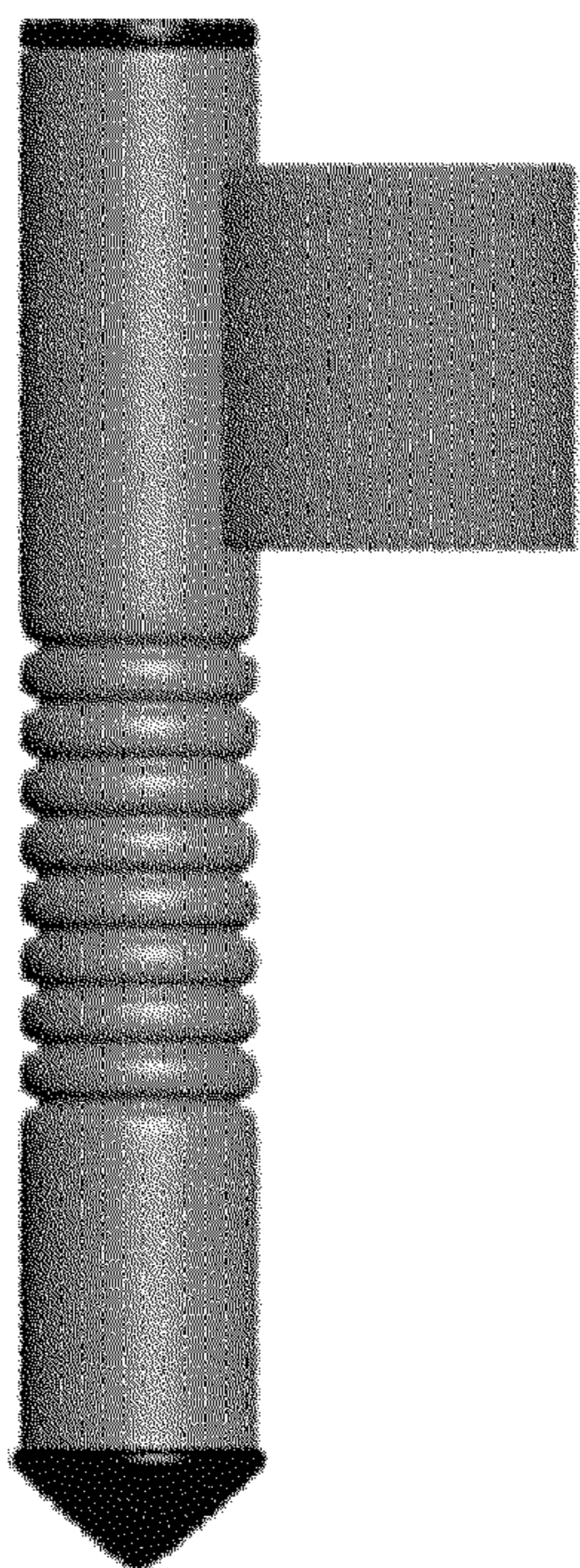
FIG. 3 is a right side profile view of a finger stylus for touch screen devices showing my new design.

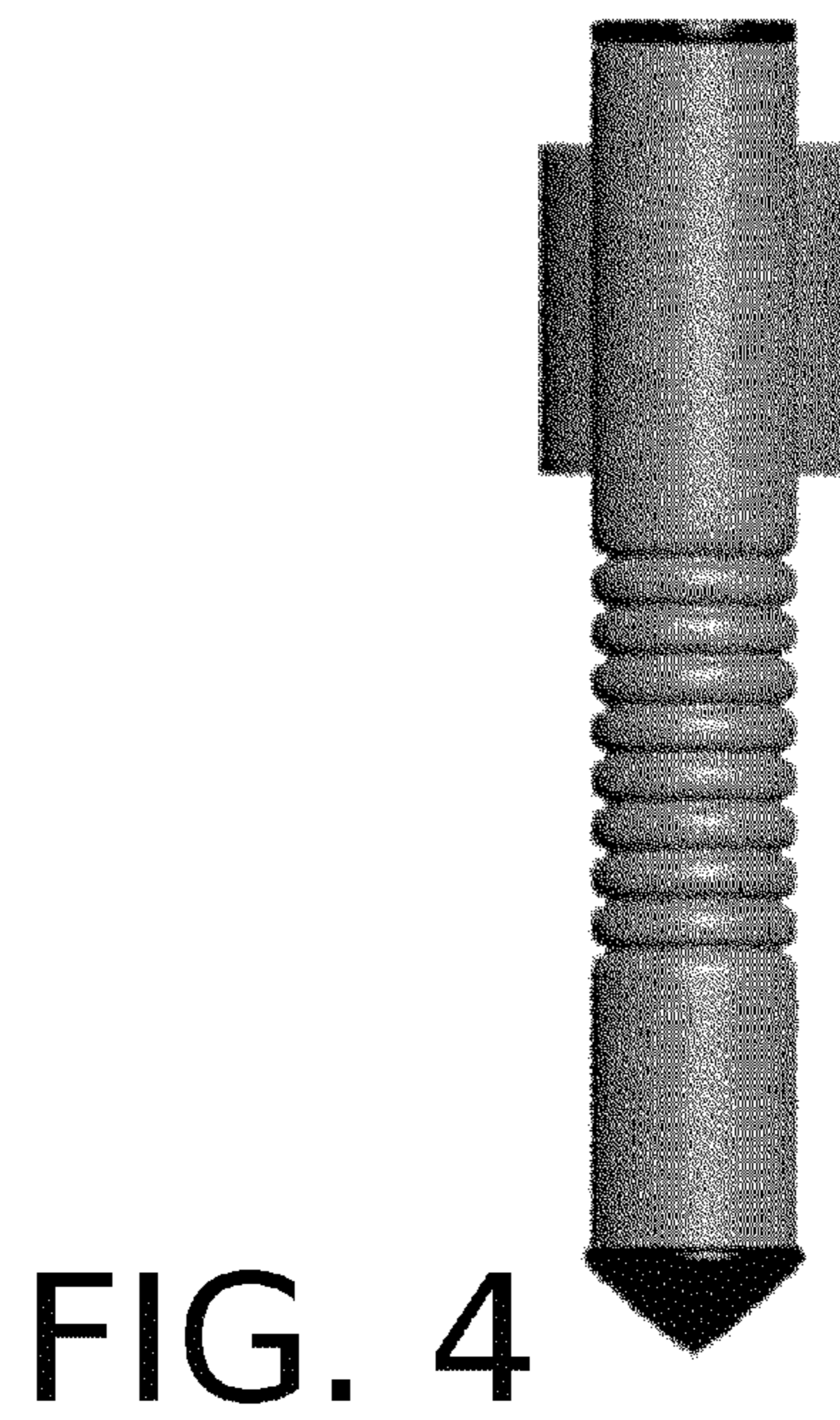
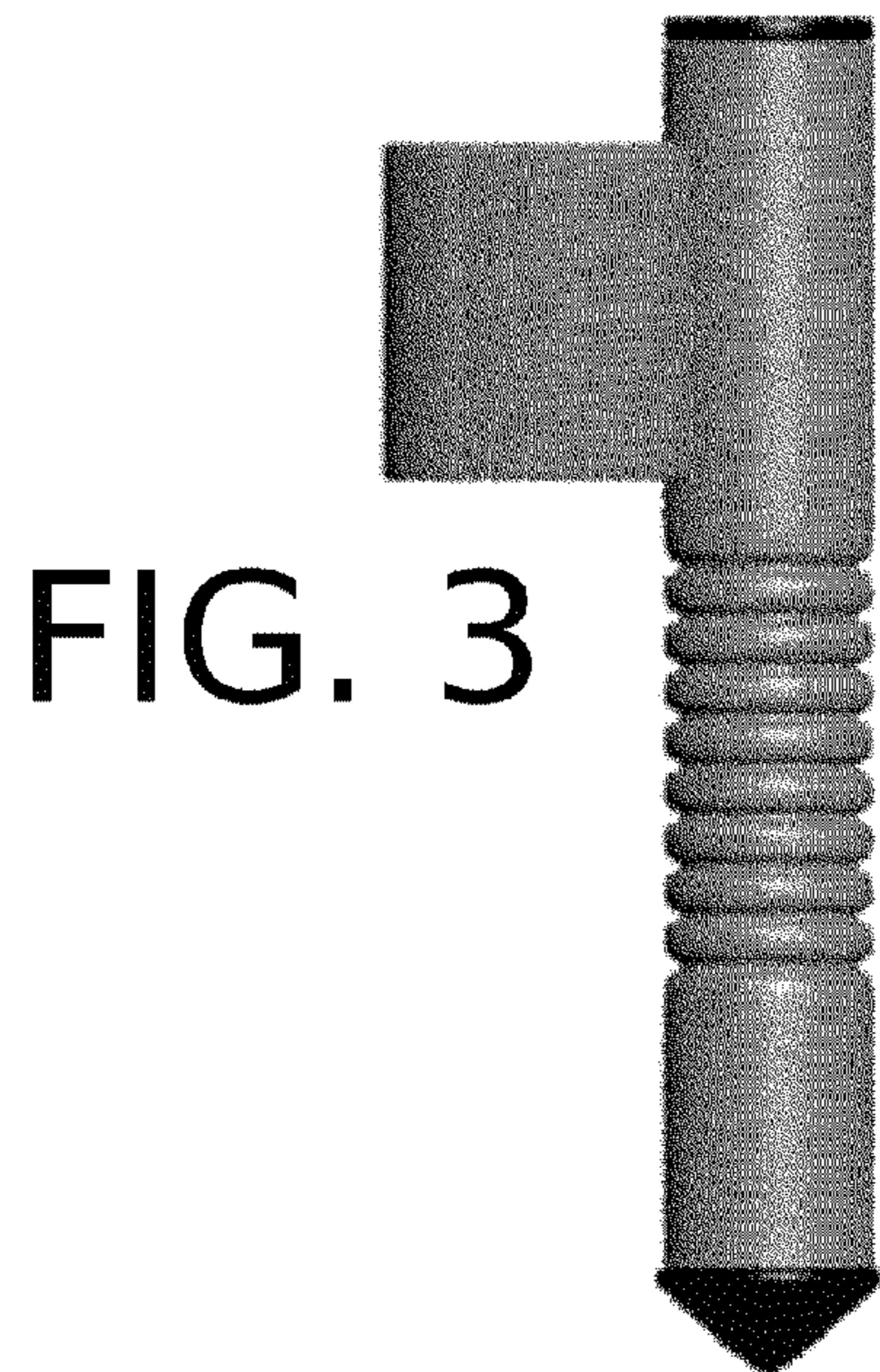
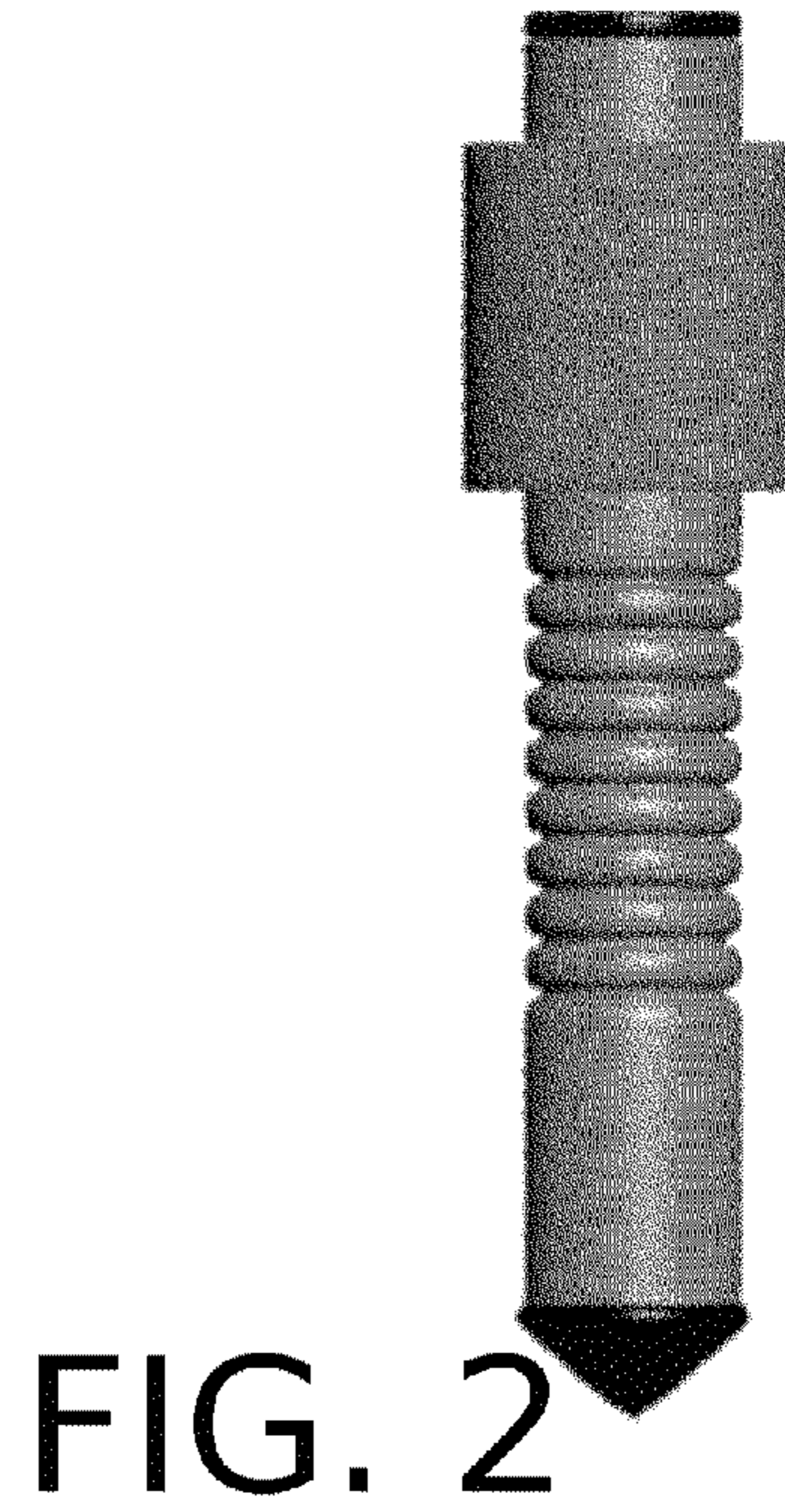
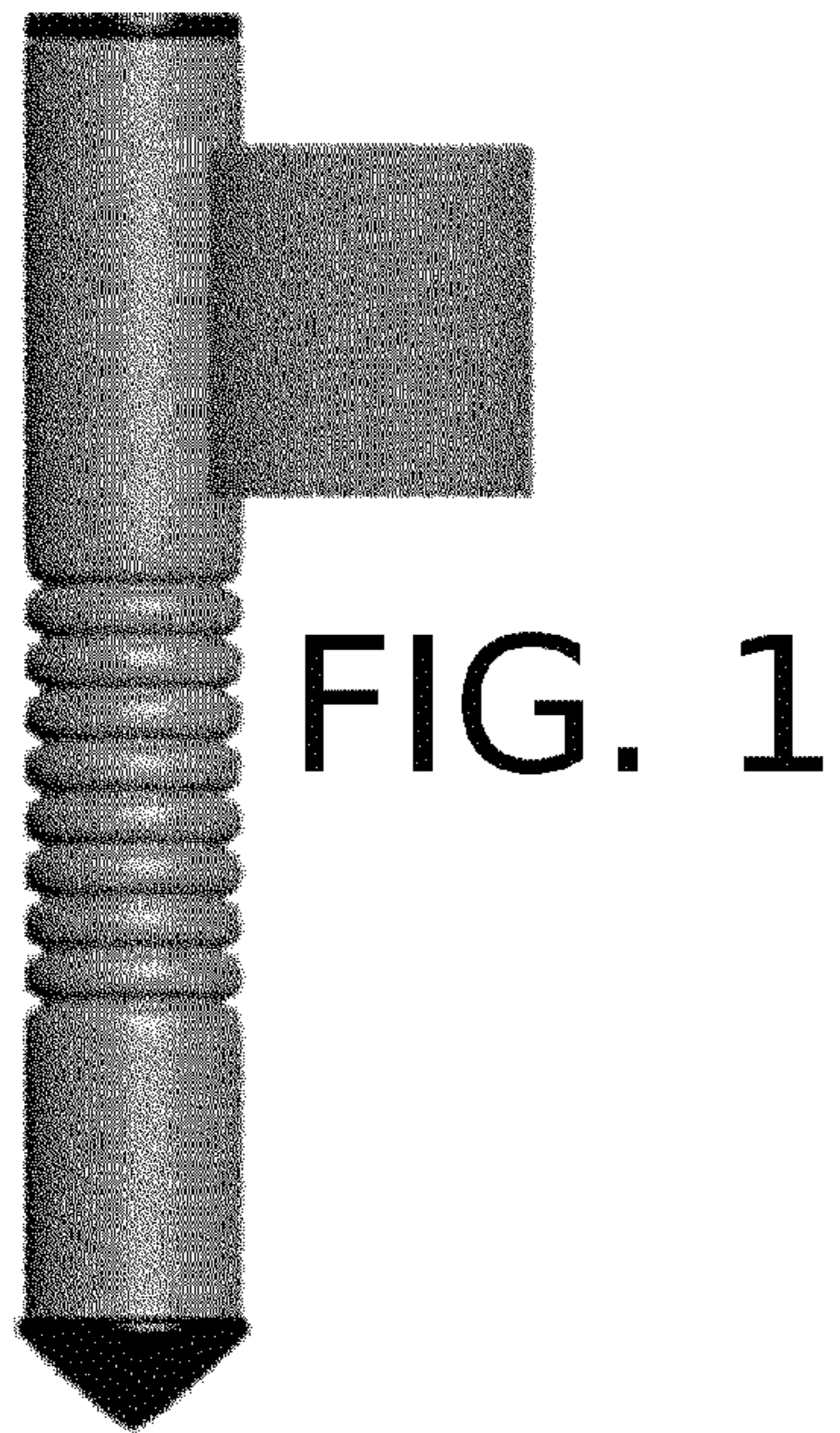
FIG. 4 is a front view of a finger stylus for touch screen devices showing my new design.

FIG. 5 is a top view of a finger stylus for touch screen devices showing my new design; and,

FIG. 6 is a bottom view of a finger stylus for touch screen devices showing my new design.

1 Claim, 2 Drawing Sheets





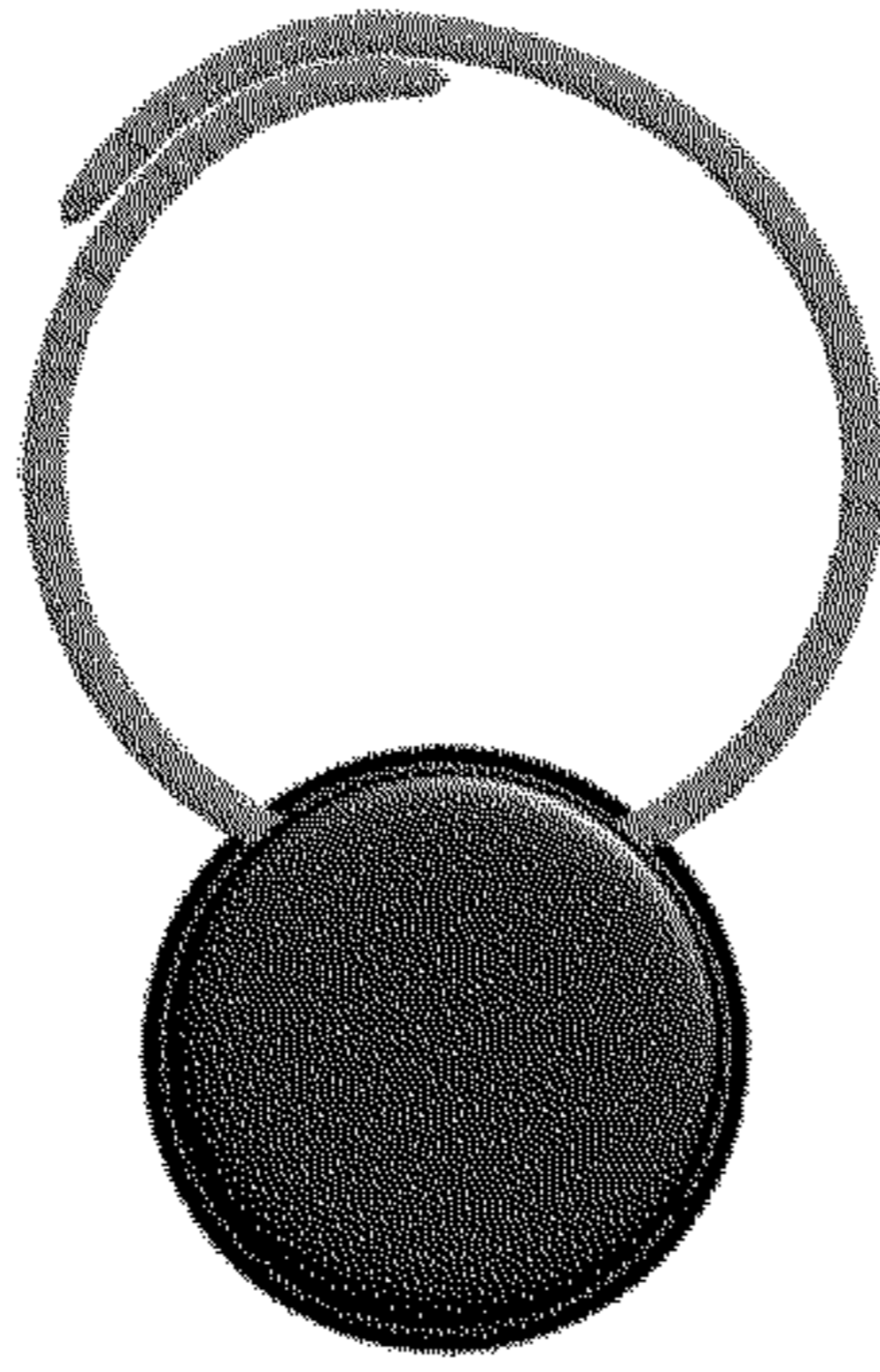


FIG. 5

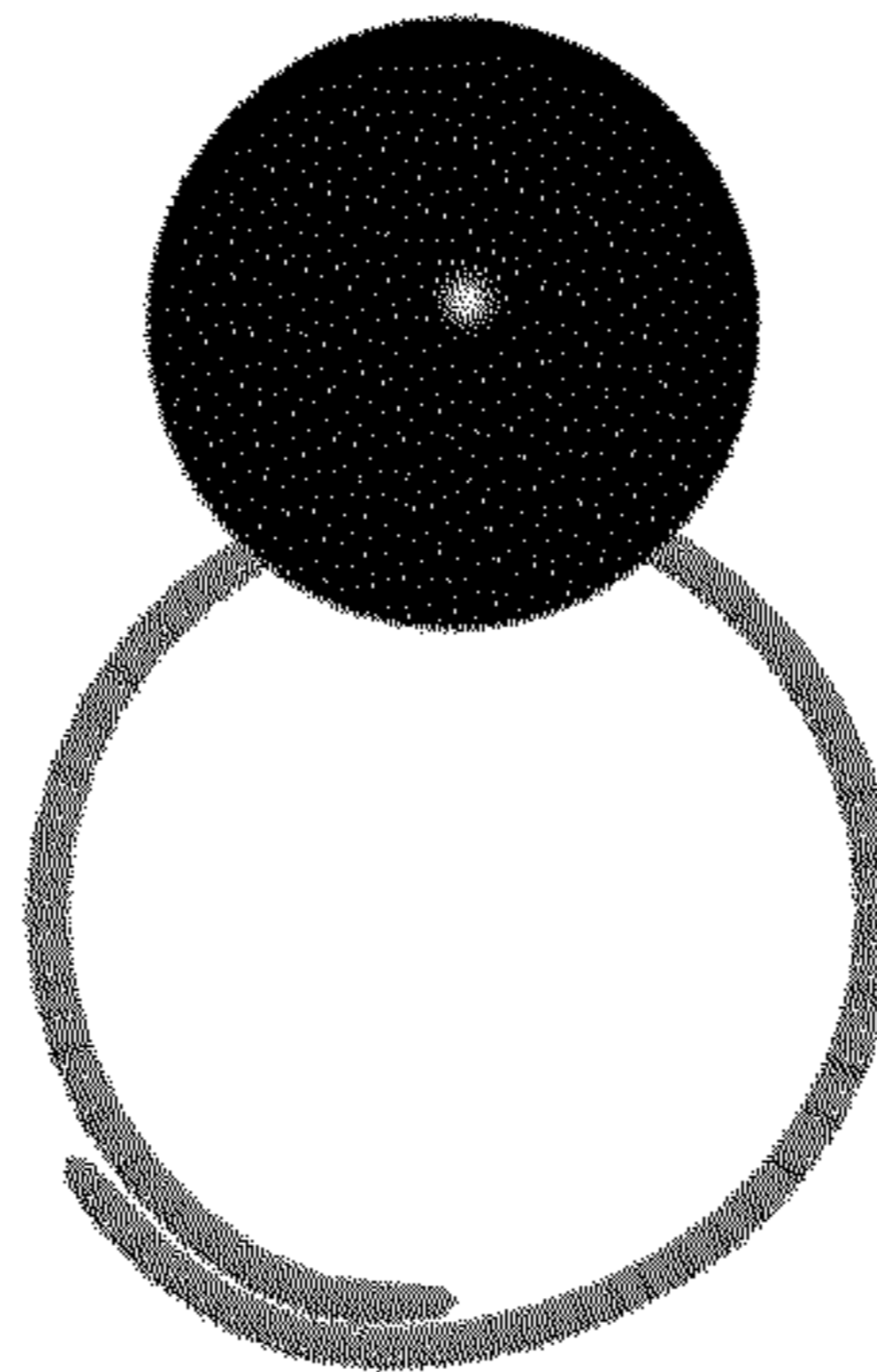


FIG. 6