

US00D727902S

(12) **United States Design Patent**
Saulnier, III

(10) **Patent No.:** **US D727,902 S**
(45) **Date of Patent:** **** Apr. 28, 2015**

(54) **TOUCH SCREEN MEDICAL CARD READER**

(71) Applicant: **John Kenneth Saulnier, III**, Bullhead
City, AZ (US)

(72) Inventor: **John Kenneth Saulnier, III**, Bullhead
City, AZ (US)

(**) Term: **14 Years**

(21) Appl. No.: **29/502,632**

(22) Filed: **Sep. 18, 2014**

(51) **LOC (10) Cl.** **14-02**

(52) **U.S. Cl.**
USPC **D14/385**

(58) **Field of Classification Search**
USPC D13/107, 108, 133, 146, 147, 152, 154,
D13/156, 158, 162; D14/371, 373-376,
D14/382, 385-387, 394, 399; D21/324,
D21/329, 332, 333; D99/28, 34-36, 43;
235/375, 380, 439, 441, 451, 492;
361/600, 679.01, 679.02, 679.31
See application file for complete search history.

(56) **References Cited**

U.S. PATENT DOCUMENTS

3,852,572 A	12/1974	Nicoud
D332,833 S	1/1993	Lauks et al.
D339,807 S	9/1993	Tattari et al.
D390,204 S	2/1998	De La Fuenie Monge
D394,427 S	5/1998	Copeland et al.
5,955,722 A	9/1999	Kurz et al.
D414,870 S	10/1999	Saltzstein et al.
D426,833 S	6/2000	Vanelli
D512,898 S	12/2005	Metivier et al.
D551,350 S	9/2007	Lorimer et al.

D571,805 S *	6/2008	Leung et al.	D14/385
D595,252 S *	6/2009	Schuler Thorne et al. ...	D14/129
D675,617 S	2/2013	Daniel	
D681,639 S *	5/2013	Cruz et al.	D14/385
D682,830 S *	5/2013	Taunay Da Graca Couto	D14/385
D689,856 S *	9/2013	Shen	D14/341
D692,885 S *	11/2013	Cruz	D14/385
D696,255 S *	12/2013	Bousfield et al.	D14/385
D698,384 S *	1/2014	Cruz	D18/4.4
D707,676 S *	6/2014	Azuma	D14/385
D707,677 S *	6/2014	Azuma	D14/385
D707,678 S *	6/2014	Azuma	D14/385
D709,069 S *	7/2014	Cruz et al.	D14/385
D716,300 S *	10/2014	Cruz et al.	D14/385

* cited by examiner

Primary Examiner — Austin Murphy

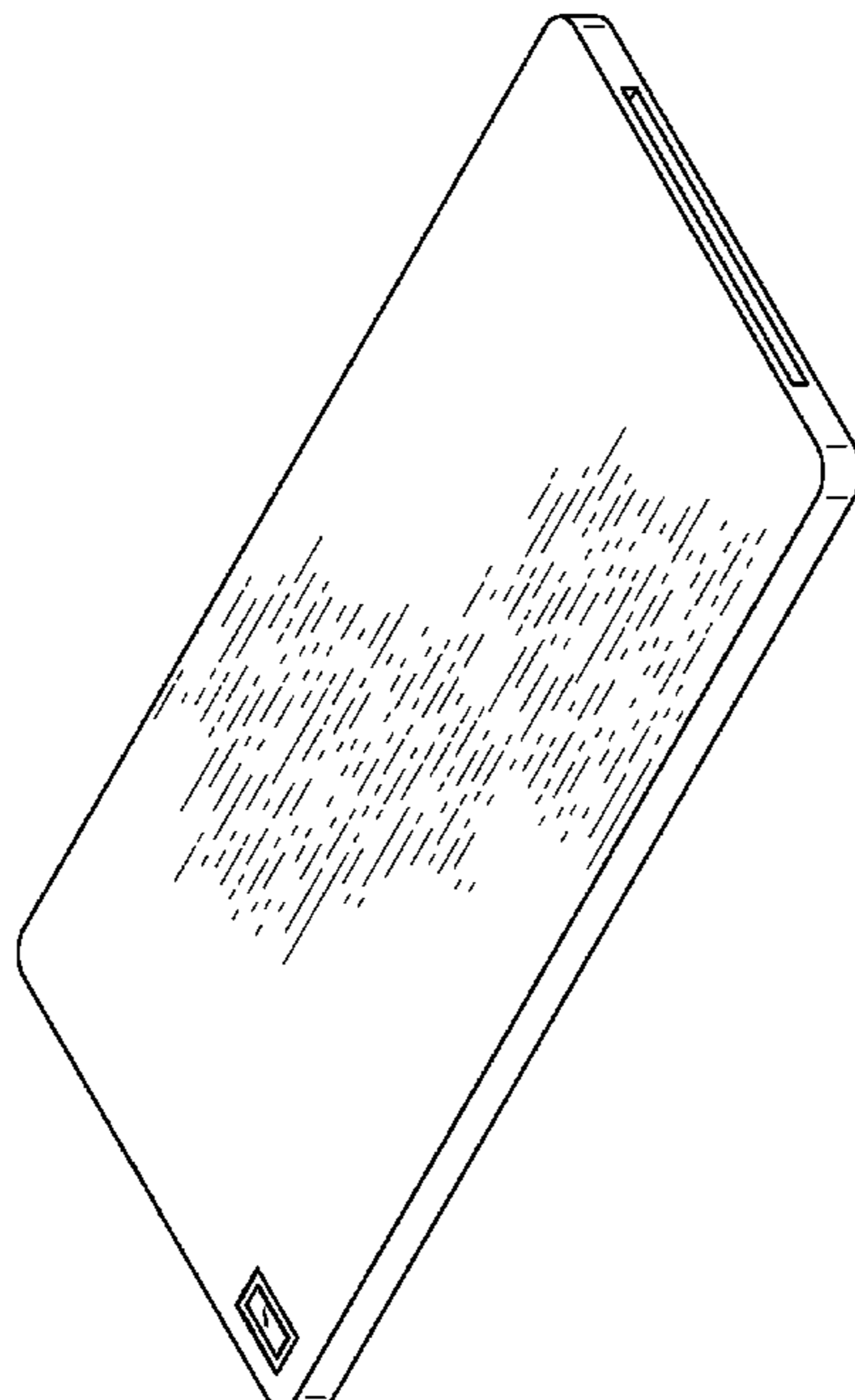
(57) **CLAIM**

The ornamental design for a touch screen medical card reader, as shown and described.

DESCRIPTION

FIG. 1 is a top perspective view for a touch screen medical card reader showing my new design; FIG. 2 is a front side view thereof; FIG. 3 is a back side view thereof; FIG. 4 is a left side view thereof; FIG. 5 is a right side view thereof; FIG. 6 is a bottom side view thereof; FIG. 7 is a top side view thereof; FIG. 8 is a bottom rear perspective view; and, FIG. 9 is a top rear perspective view. The broken lines in FIG. 1 is a medical information card shown in broken lines for illustrative purposes only and forms no part of the claimed design.

1 Claim, 5 Drawing Sheets



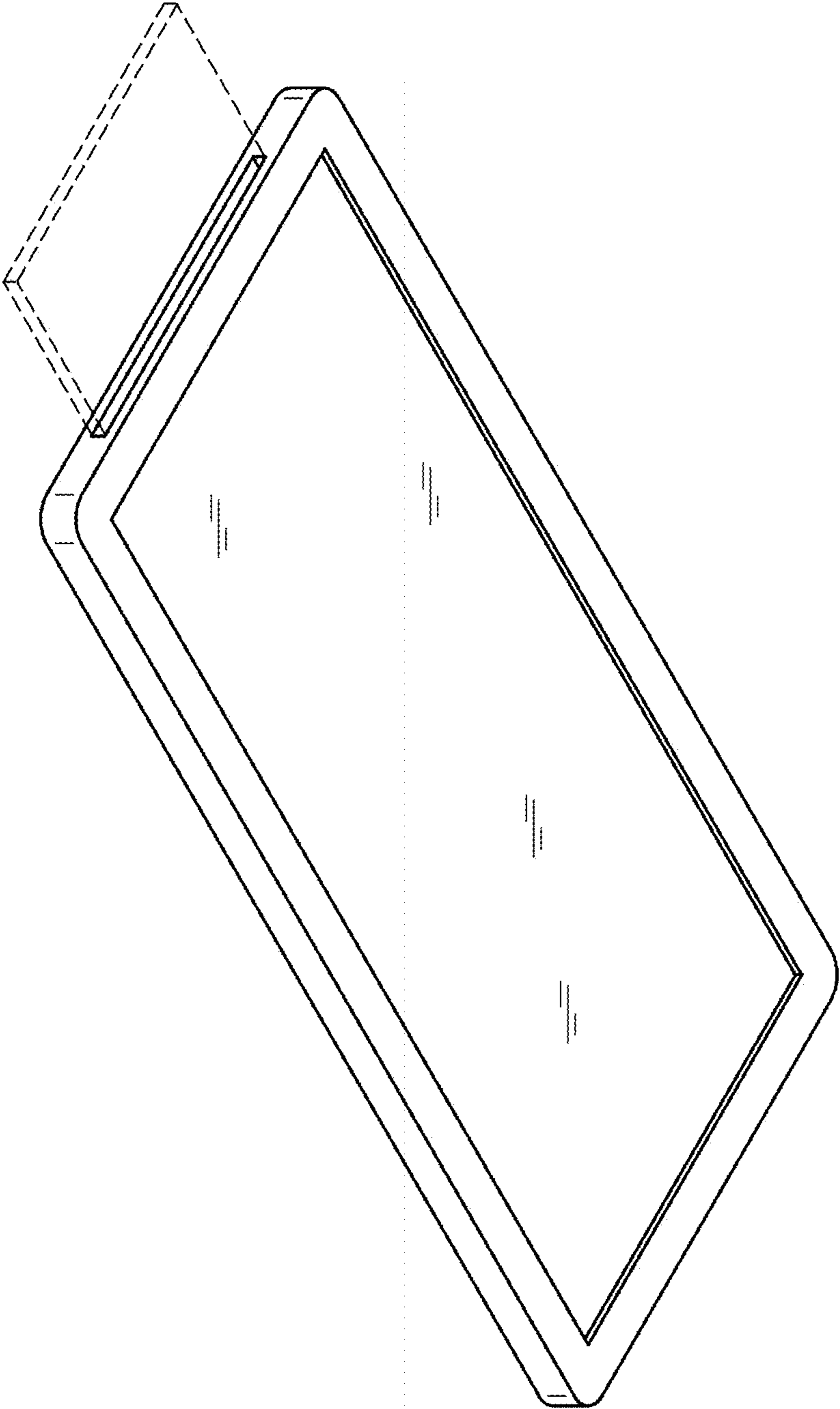


FIG. 1

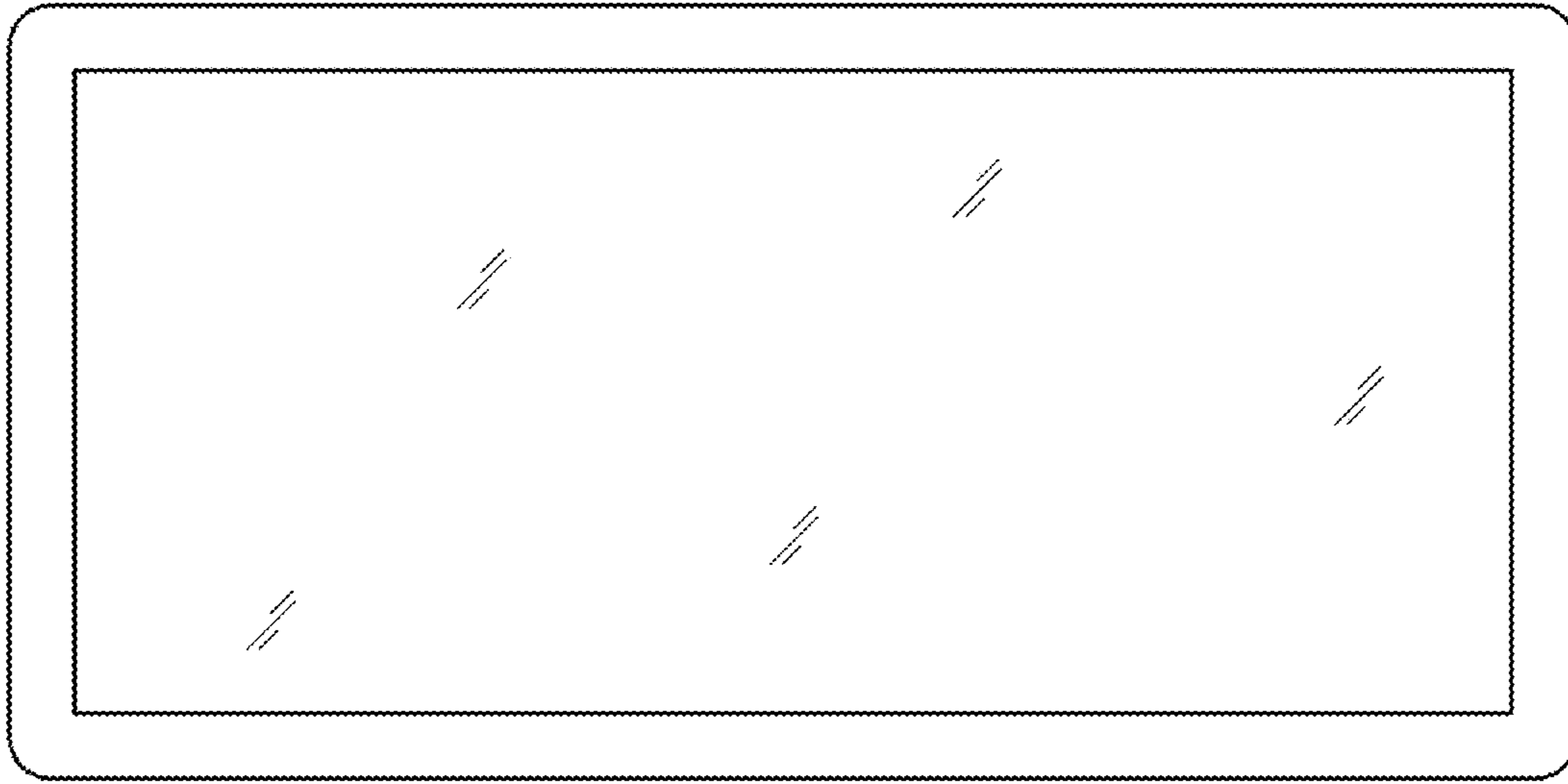


FIG. 2

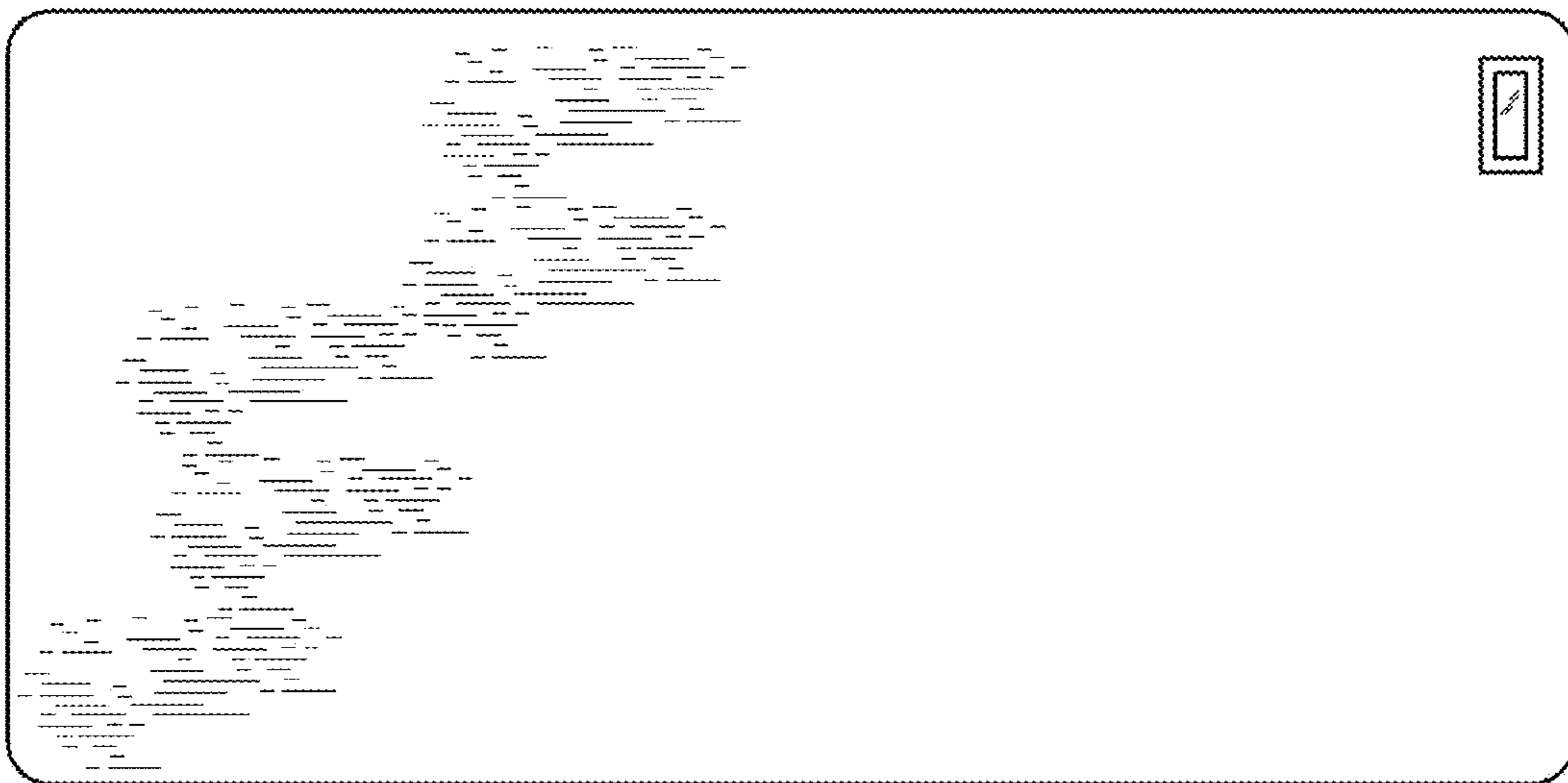


FIG. 3



FIG. 4



FIG. 5

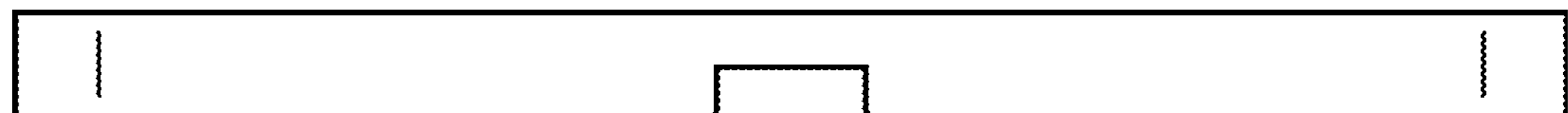


FIG. 6

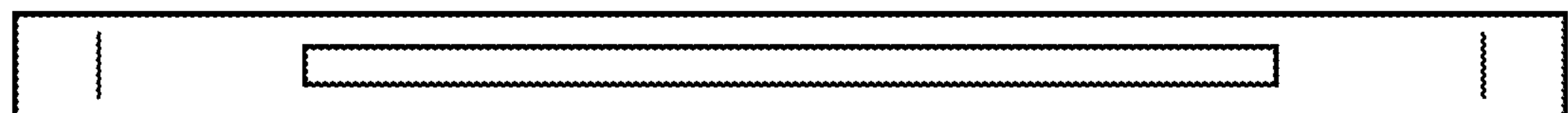


FIG. 7

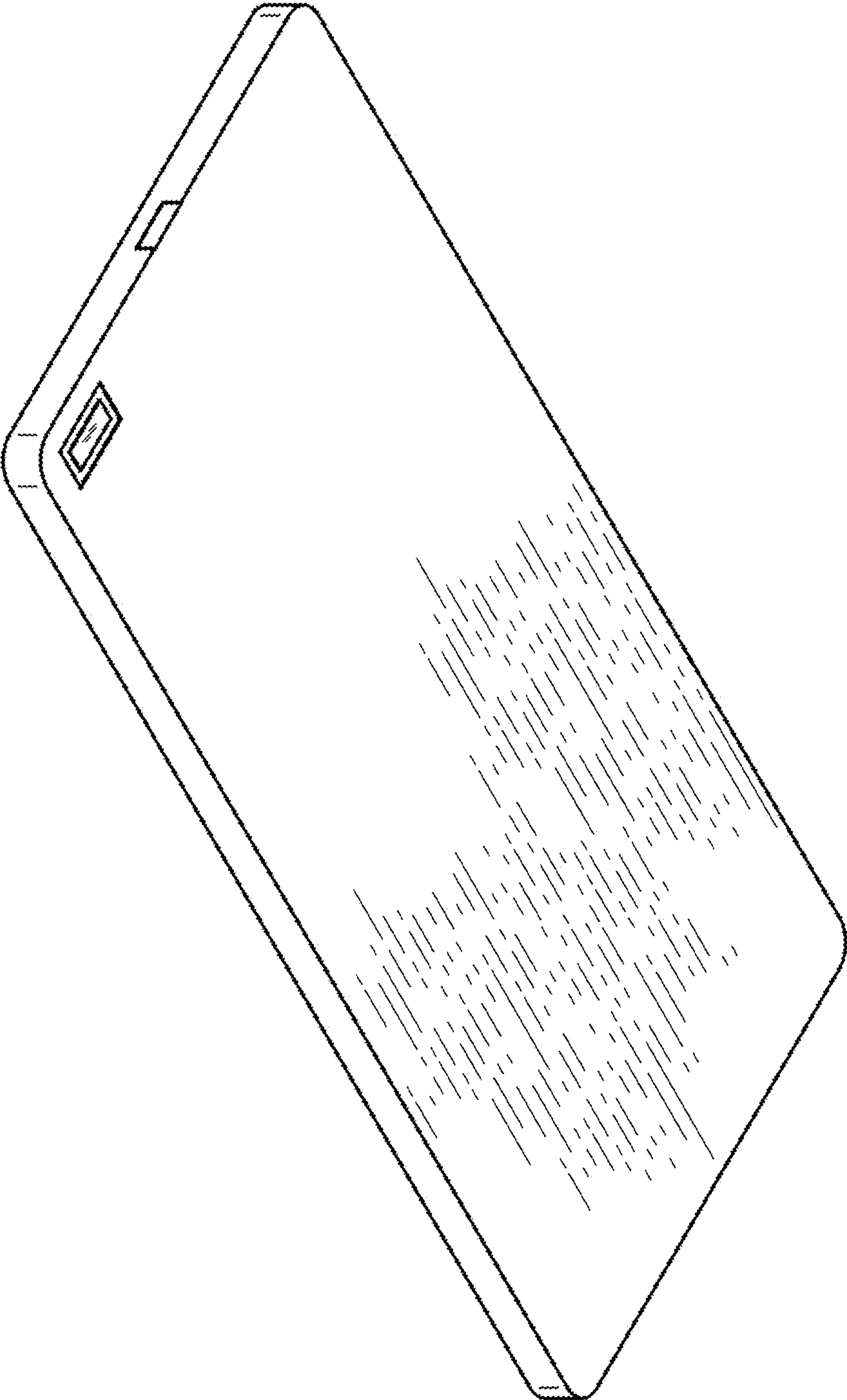


FIG. 8

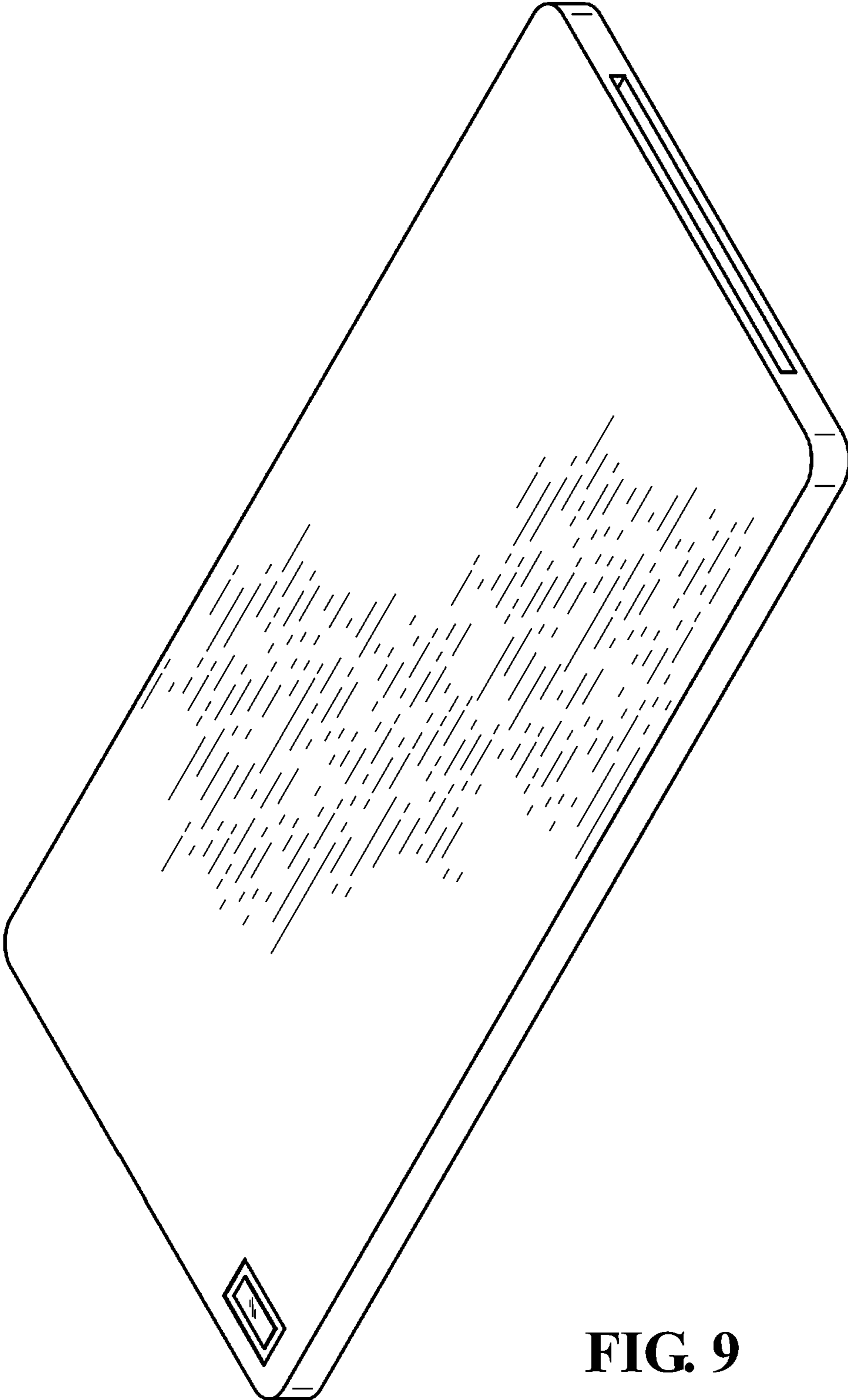


FIG. 9