



US00D727901S

(12) **United States Design Patent**
Nishimura et al.

(10) **Patent No.:** **US D727,901 S**
(45) **Date of Patent:** **** Apr. 28, 2015**

(54) **VEIN READER**

(71) Applicant: **Fujitsu Frontech Limited**, Tokyo (JP)

(72) Inventors: **Satoru Nishimura**, Tokyo (JP); **Asami Nishimura**, Tokyo (JP); **Toshimi Munakata**, Tokyo (JP)

(73) Assignee: **Fujitsu Frontech Limited** (JP)

(**) Term: **14 Years**

(21) Appl. No.: **29/434,699**

(22) Filed: **Oct. 16, 2012**

(30) **Foreign Application Priority Data**

Apr. 25, 2012 (JP) 2012-009670

(51) **LOC (10) Cl.** **14-02**

(52) **U.S. Cl.**
USPC **D14/383**

(58) **Field of Classification Search**
USPC D14/383, 159, 155, 167, 154, 168, 188,
D14/496, 165, 158, 137; 455/351, 350, 353;
D10/104.1, 78, 106.1–106.7; D9/414,
D9/424

See application file for complete search history.

(56) **References Cited**

U.S. PATENT DOCUMENTS

D303,638 S * 9/1989 Andrews et al. D10/106.1
D313,362 S * 1/1991 Reich et al. D10/106.1
D457,144 S * 5/2002 Suen D13/162
D478,832 S * 8/2003 Dipple D10/106.1
D480,725 S * 10/2003 Funato D14/383
D558,790 S * 1/2008 Yu et al. D14/496
D566,710 S * 4/2008 Chun et al. D14/358
D592,661 S * 5/2009 Woo et al. D14/358

D642,165 S * 7/2011 Kyriakides et al. D14/240
D658,647 S * 5/2012 Tsai D14/356
D661,211 S * 6/2012 Hou D10/104.1
D682,806 S * 5/2013 Smith et al. D14/155
D693,805 S * 11/2013 Sip et al. D14/358

* cited by examiner

Primary Examiner — George D Kirschbaum

Assistant Examiner — Kendra L Hamilton

(74) *Attorney, Agent, or Firm* — Schwegman Lundberg & Woessner, P.A.

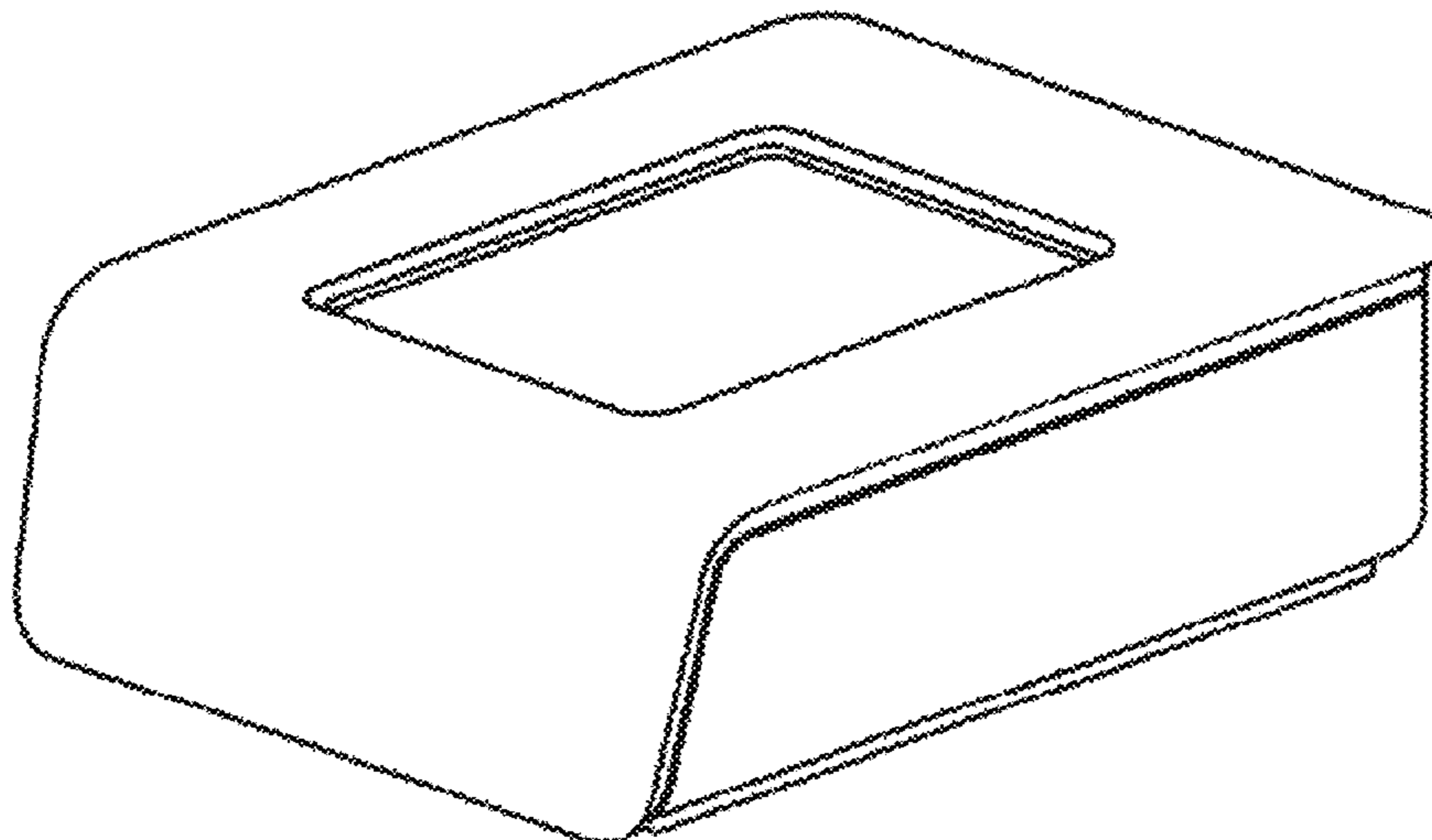
(57) **CLAIM**

The ornamental design for a vein reader, as shown and described.

DESCRIPTION

FIG. 1 is a front view of a vein reader;
FIG. 2 is a rear view of the vein reader;
FIG. 3 is a right side view of the vein reader;
FIG. 4 is a left side view of the vein reader;
FIG. 5 is a top view of the vein reader;
FIG. 6 is a bottom view of the vein reader;
FIG. 7 is a front perspective view of the vein reader;
FIG. 8 is a rear perspective view of the vein reader;
FIG. 9 is a cross-section end view taken along line A-A of FIG. 5; and,
FIG. 10 is a right-side view of the vein reader, showing the vein reader in an example use condition.
The broken lines illustrate environment and portions of the vein reader which form no part of the claimed design.
In an example use of the vein reader, a read sensor is provided on the top face that reads palm veins; and a connection is provided on the back face that is connected to, for example, a connector. The present article can be used together with a guide including a top end on which a hand is placed (see FIG. 10) or is used without the guide. The guide shown in FIG. 10 is not part of the present design.

1 Claim, 6 Drawing Sheets



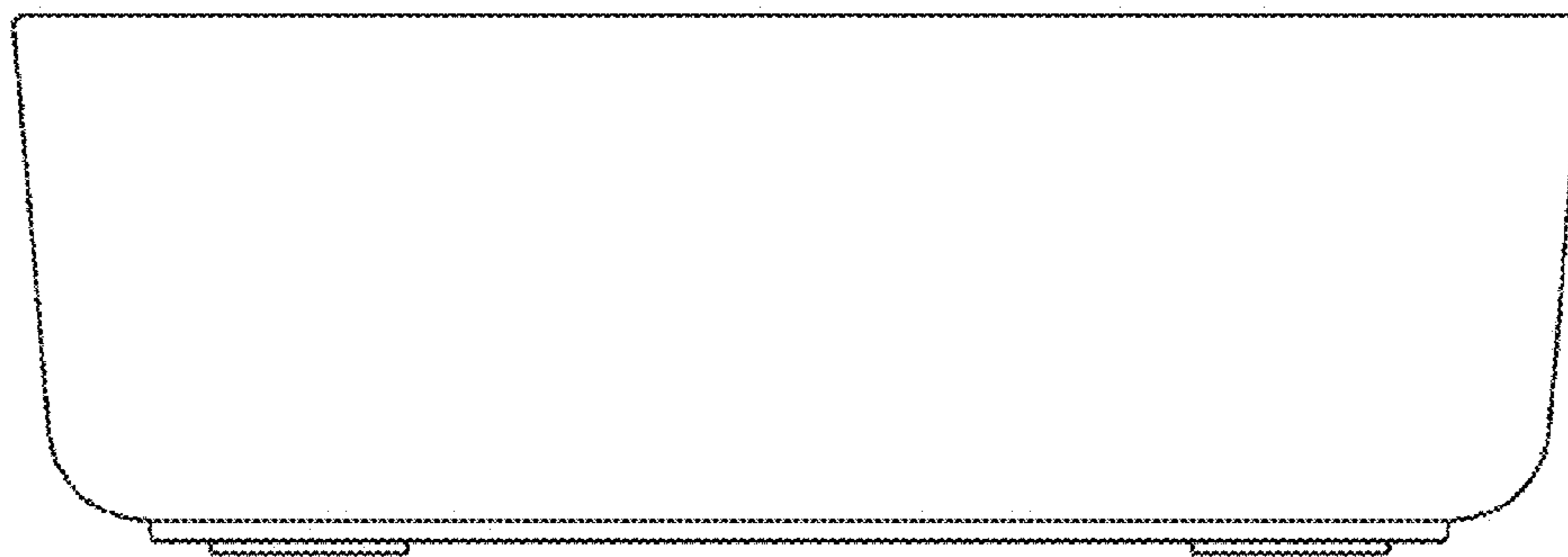


FIG. 1

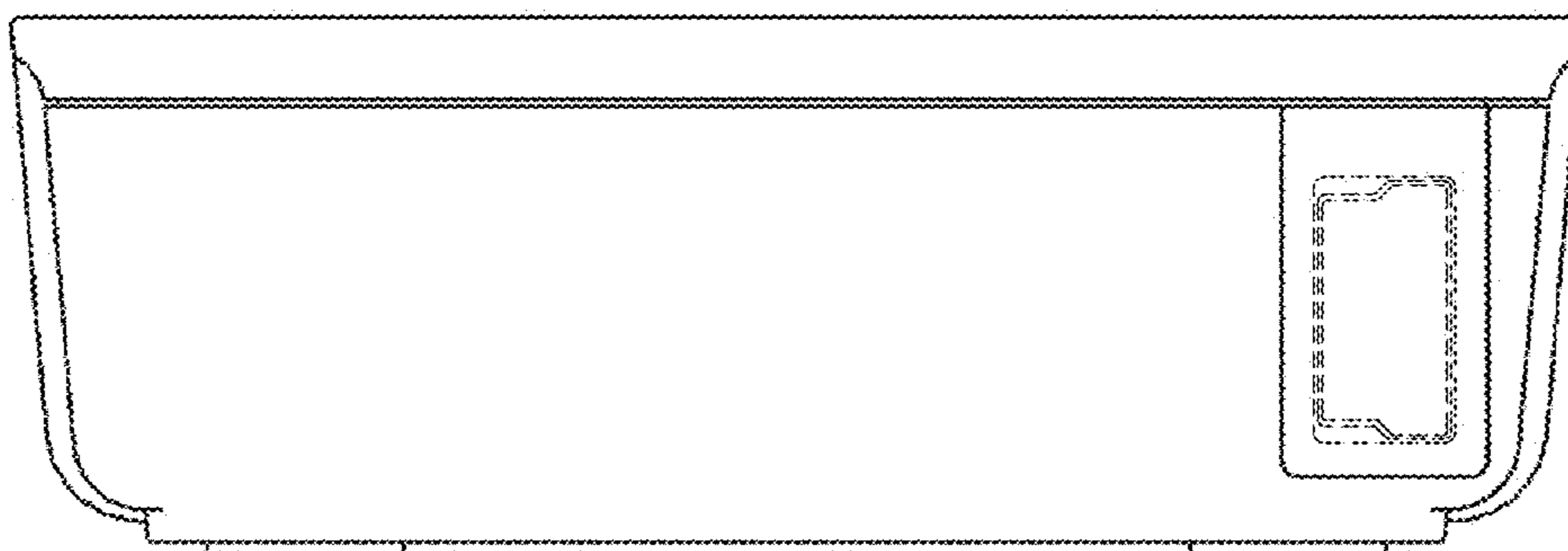


FIG. 2

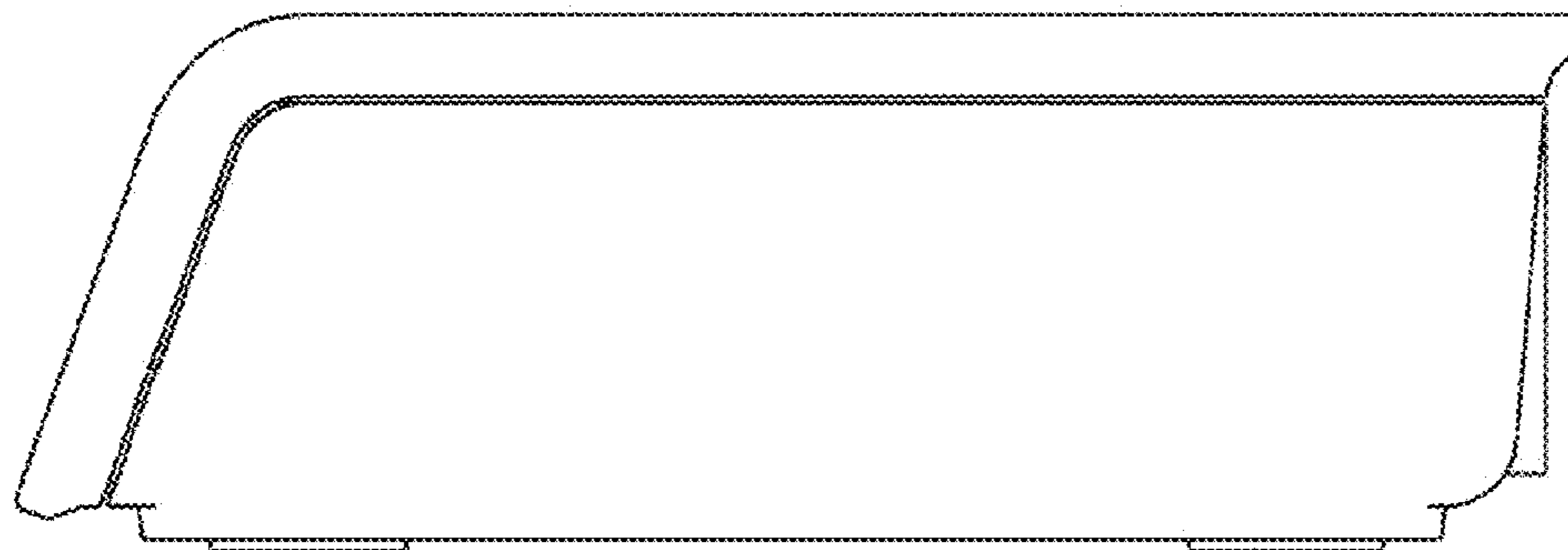


FIG. 3

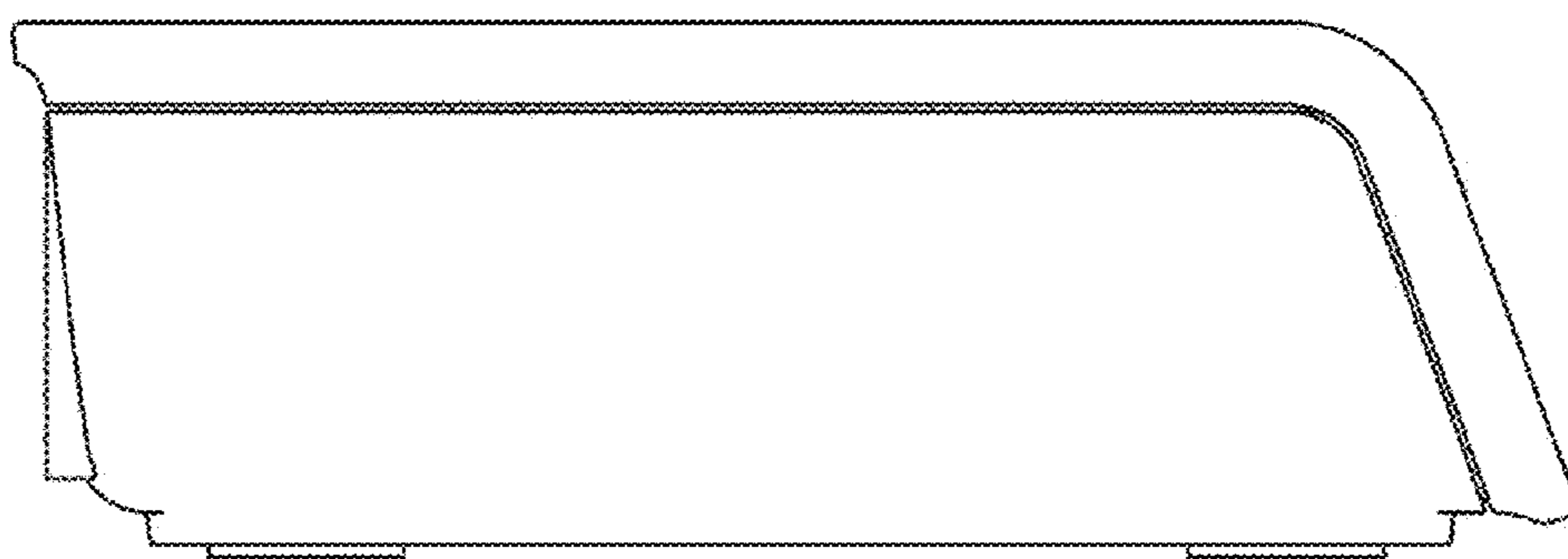


FIG. 4

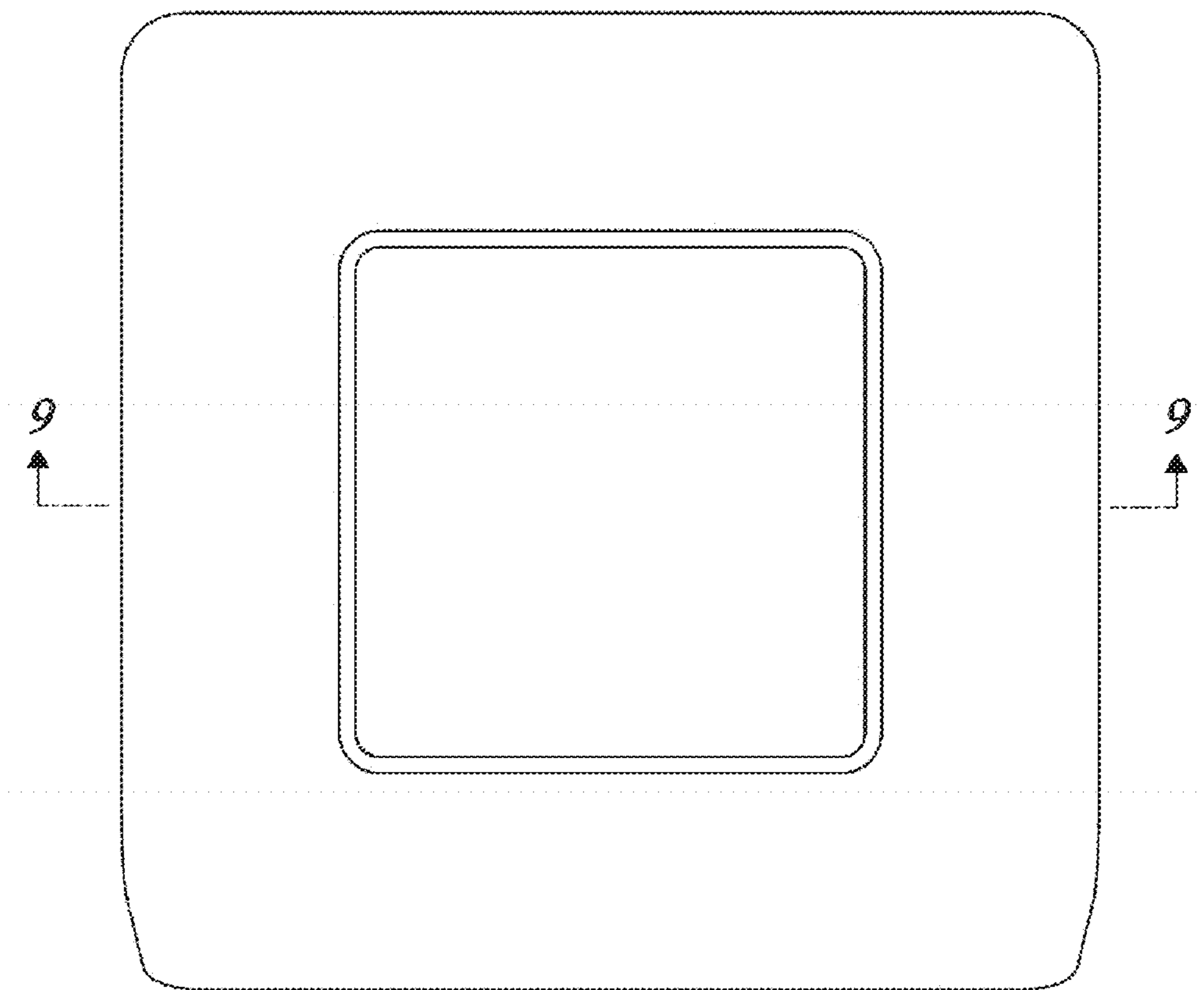


FIG. 5

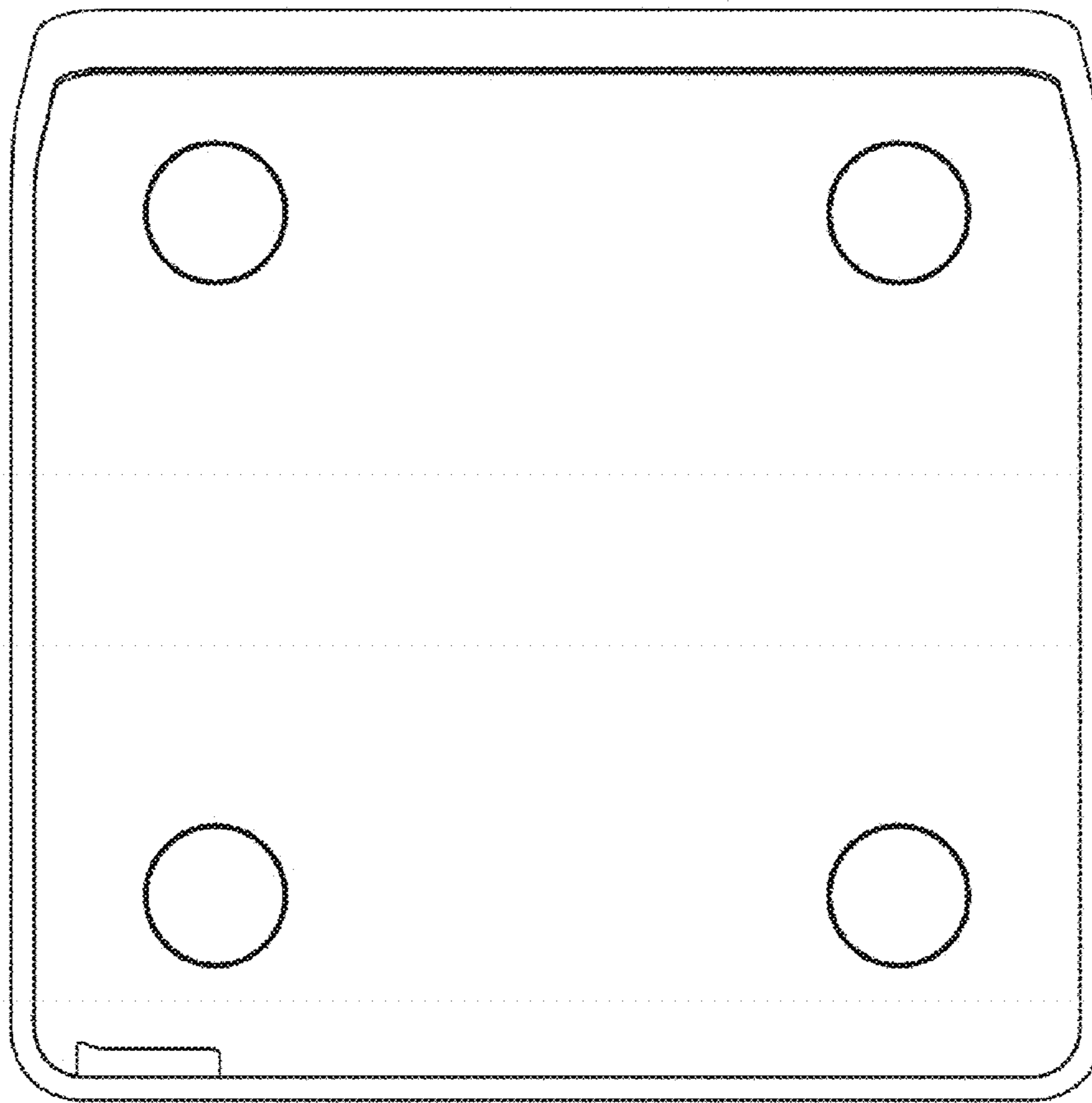


FIG. 6

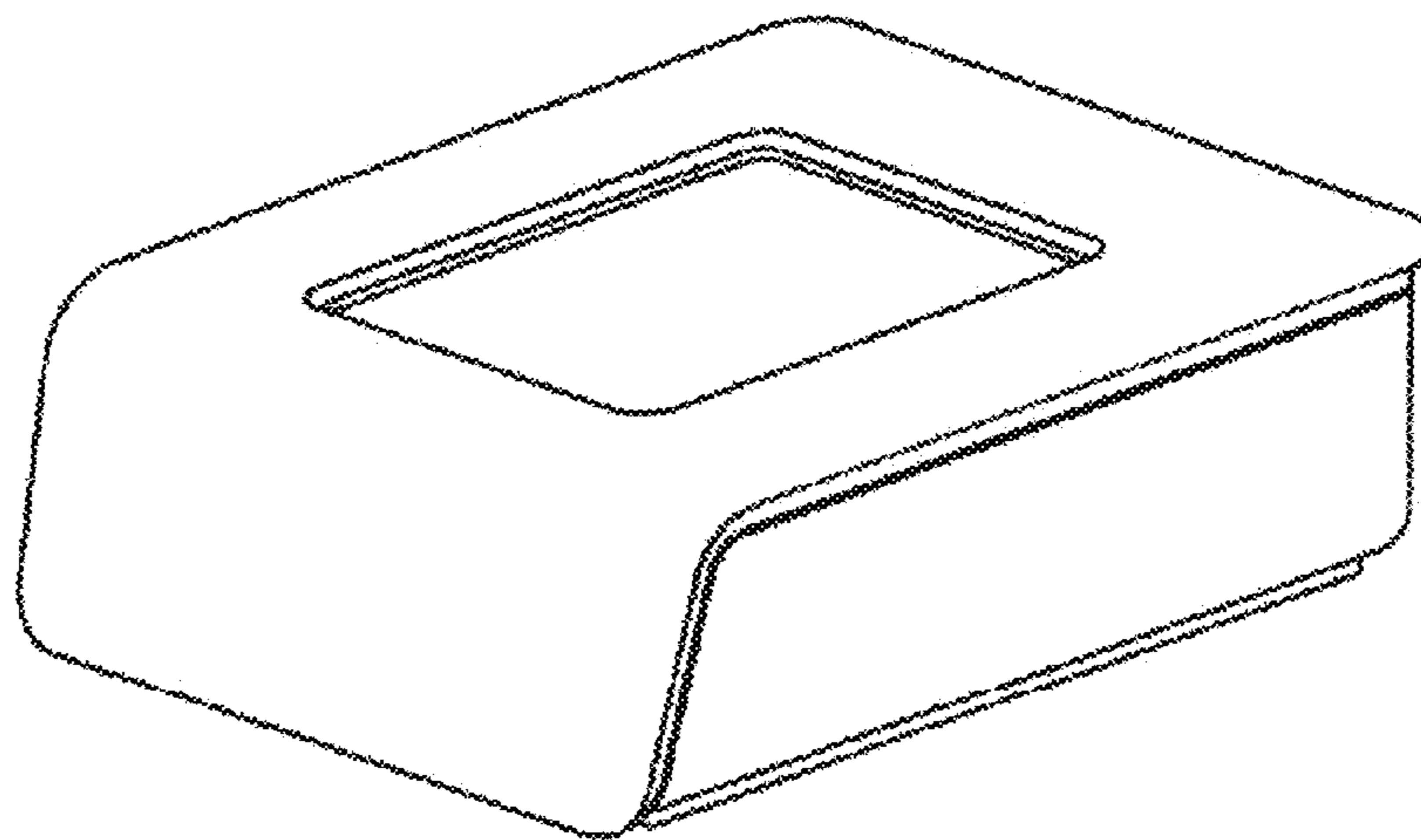


FIG. 7

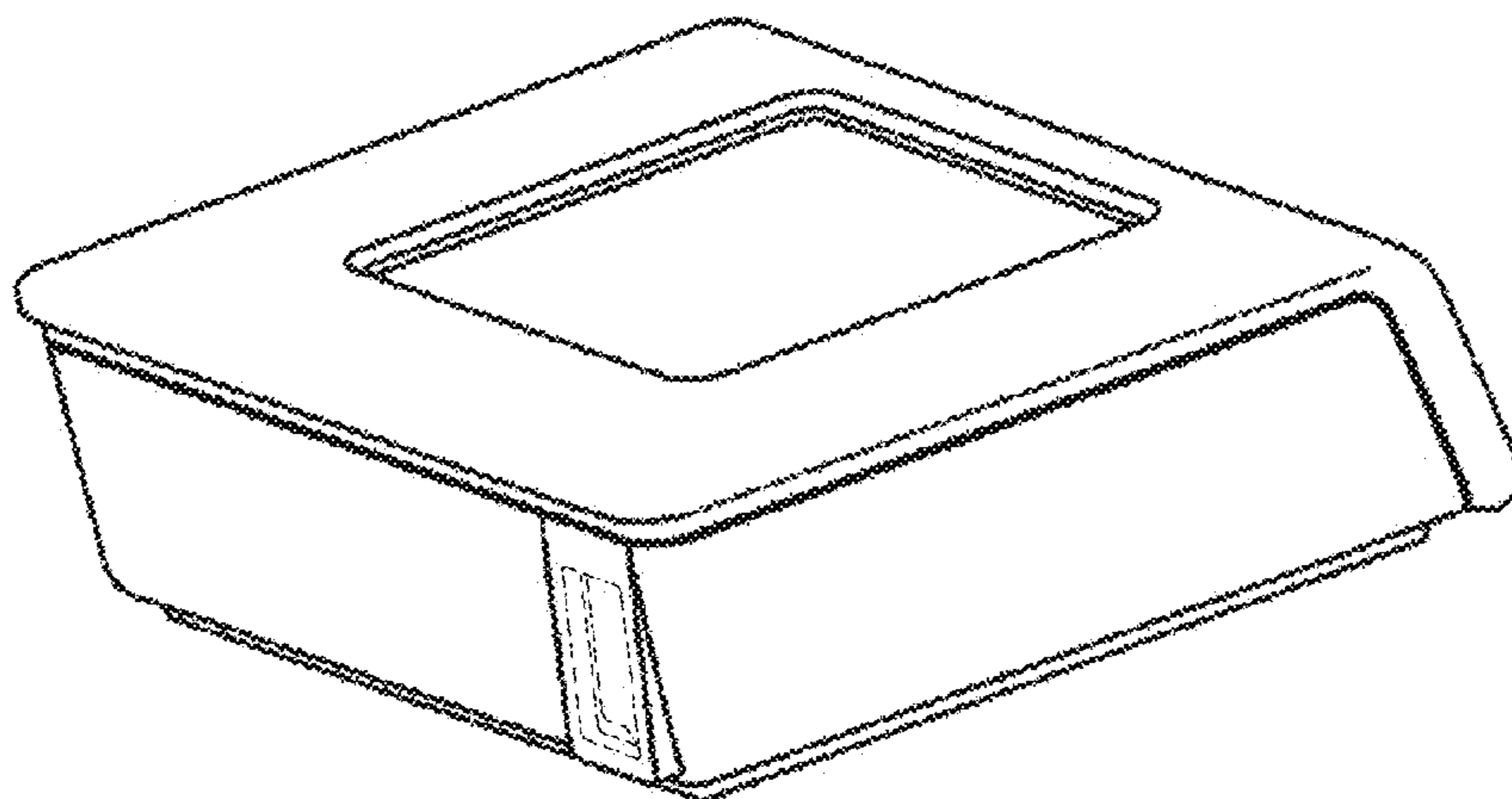


FIG. 8

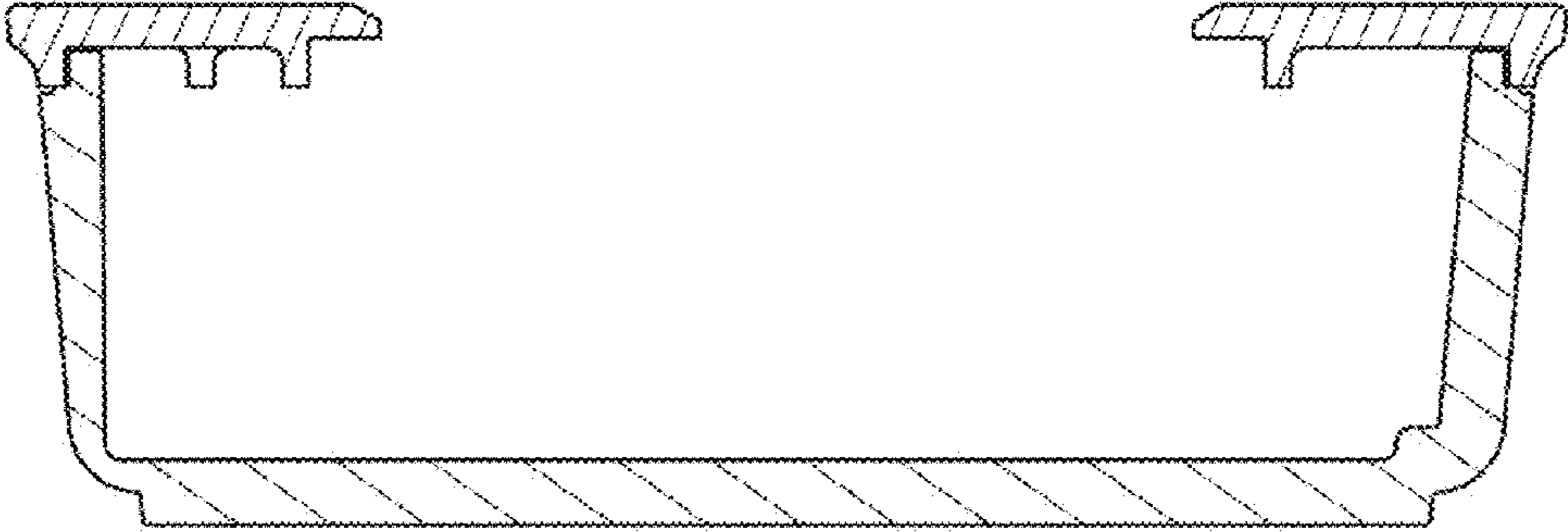


FIG. 9

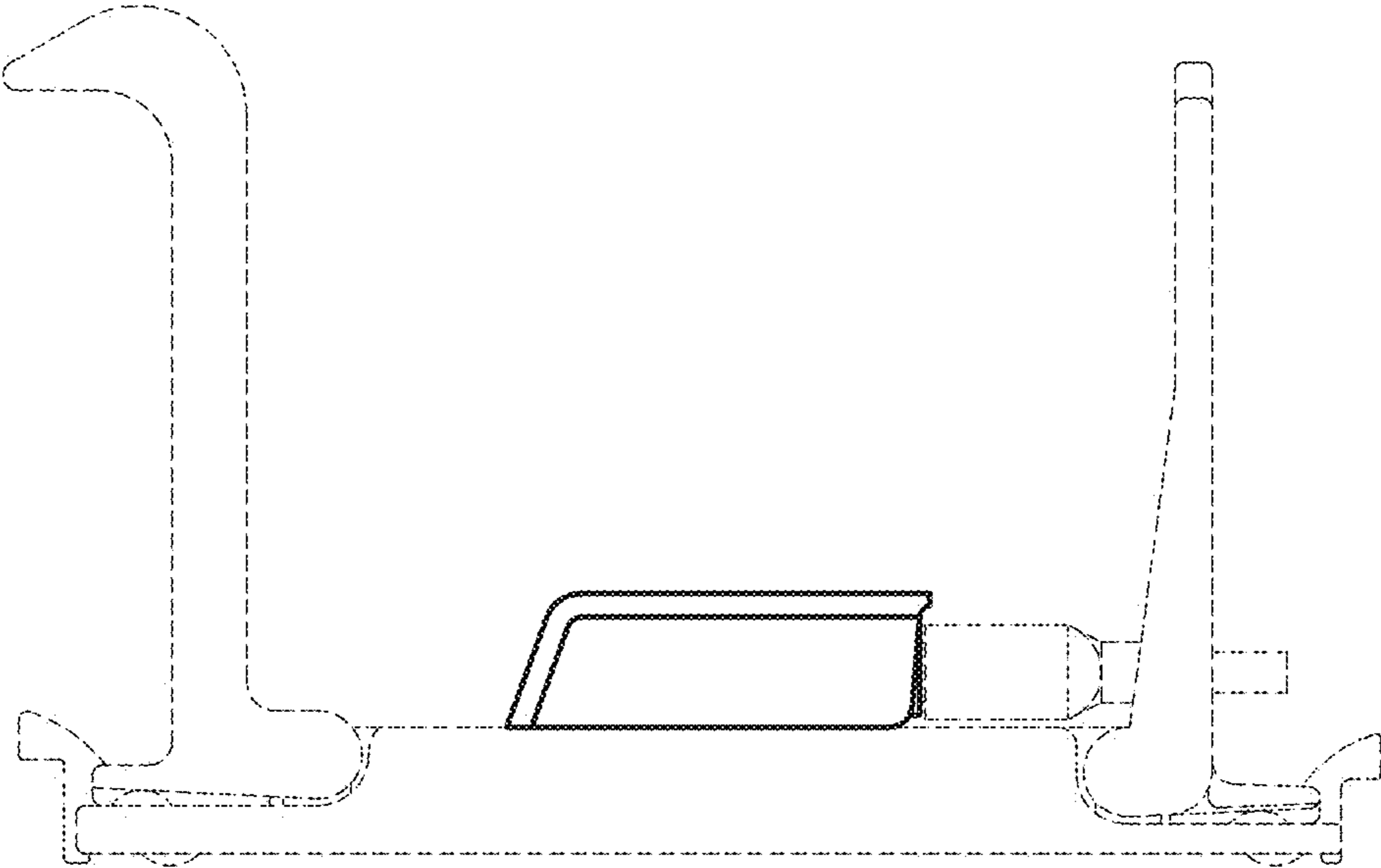


FIG. 10