



US00D727900S

(12) **United States Design Patent**  
**Lee et al.**

(10) **Patent No.:** **US D727,900 S**  
(45) **Date of Patent:** **\*\* Apr. 28, 2015**

(54) **ALL-IN-ONE COMPUTER**

(56) **References Cited**

(71) Applicant: **Samsung Electronics Co., Ltd.**,  
Suwon-si (KR)

U.S. PATENT DOCUMENTS

(72) Inventors: **Sang-Eun Lee**, Seoul (KR); **Sung-Chul Yang**, Munich (DE)

D496,044	S	*	9/2004	Yong	.....	D14/375
D502,179	S	*	2/2005	Cha et al.	.....	D14/375
D525,974	S	*	8/2006	Yu et al.	.....	D14/375
D539,245	S	*	3/2007	Bischoff	.....	D14/126
D645,044	S	*	9/2011	Chang	.....	D14/375
D680,547	S	*	4/2013	Williams et al.	.....	D14/447

(73) Assignee: **Samsung Electronics Co., Ltd.** (KR)

\* cited by examiner

(\*\*) Term: **14 Years**

*Primary Examiner* — Freda S Nunn

(21) Appl. No.: **29/469,216**

(74) *Attorney, Agent, or Firm* — Cantor Colburn LLP

(22) Filed: **Oct. 8, 2013**

(57) **CLAIM**

The ornamental design for an all-in-one computer, as shown and described.

(30) **Foreign Application Priority Data**

**DESCRIPTION**

Apr. 8, 2013 (KR) ..... 30-2013-0018004

(51) **LOC (10) Cl.** ..... **14-02**

(52) **U.S. Cl.**  
USPC ..... **D14/374**

(58) **Field of Classification Search**  
USPC ..... D14/371–375, 125–129, 336, 337;  
341/12; 345/104, 156, 168, 173;  
348/180, 184, 325, 739; 349/1, 2, 11,  
349/62; 361/679.05–679.07, 679.21;  
D6/300, 308

FIG. 1 is a top front perspective view of an all-in-one computer showing our new design;  
FIG. 2 is a front view thereof;  
FIG. 3 is a rear view thereof;  
FIG. 4 is a side view thereof;  
FIG. 5 is another side view thereof;  
FIG. 6 is a top view thereof;  
FIG. 7 is a bottom view thereof; and,  
FIG. 8 is a top rear perspective view thereof.  
The broken lines illustrating portions of the all-in-one computer are for environmental purposes only and form no part of the claimed design.

See application file for complete search history.

**1 Claim, 5 Drawing Sheets**

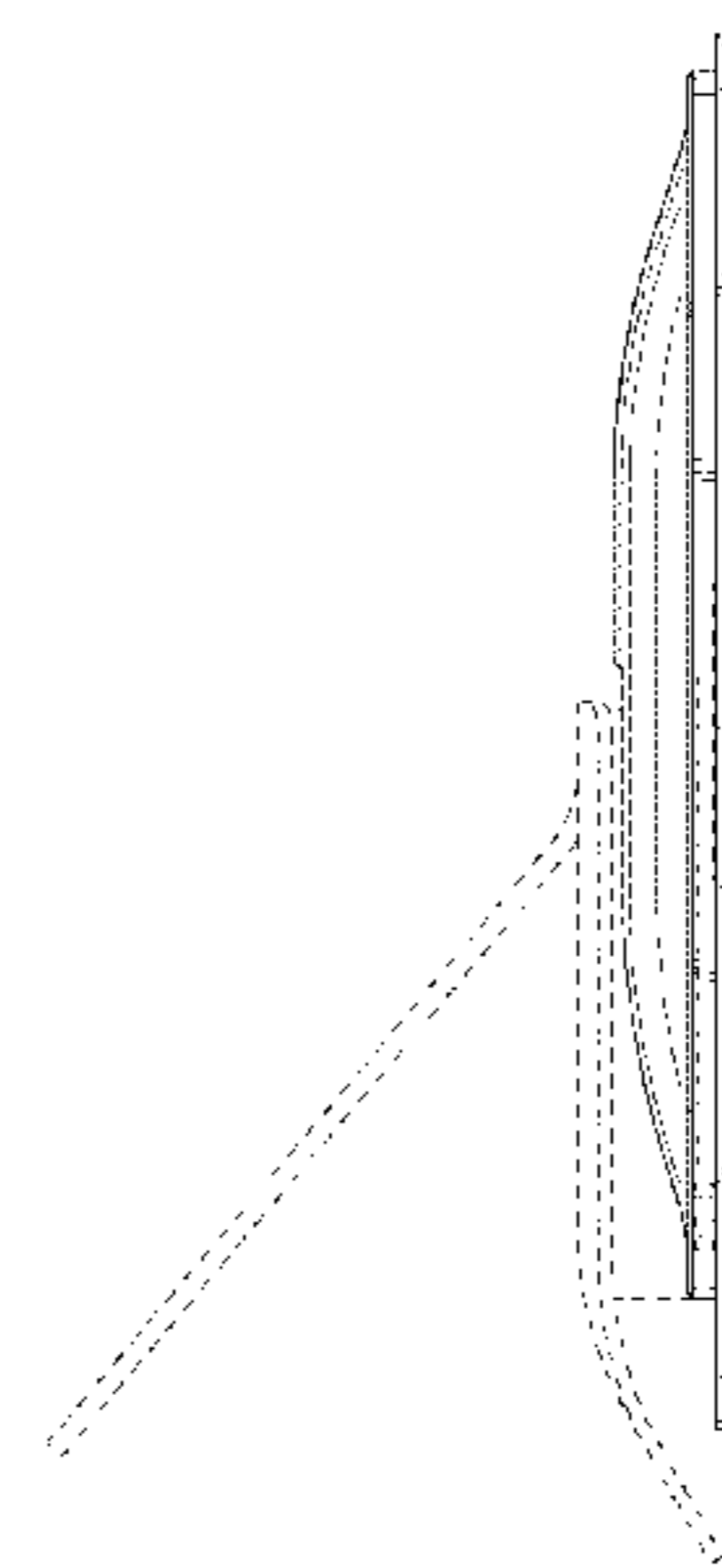
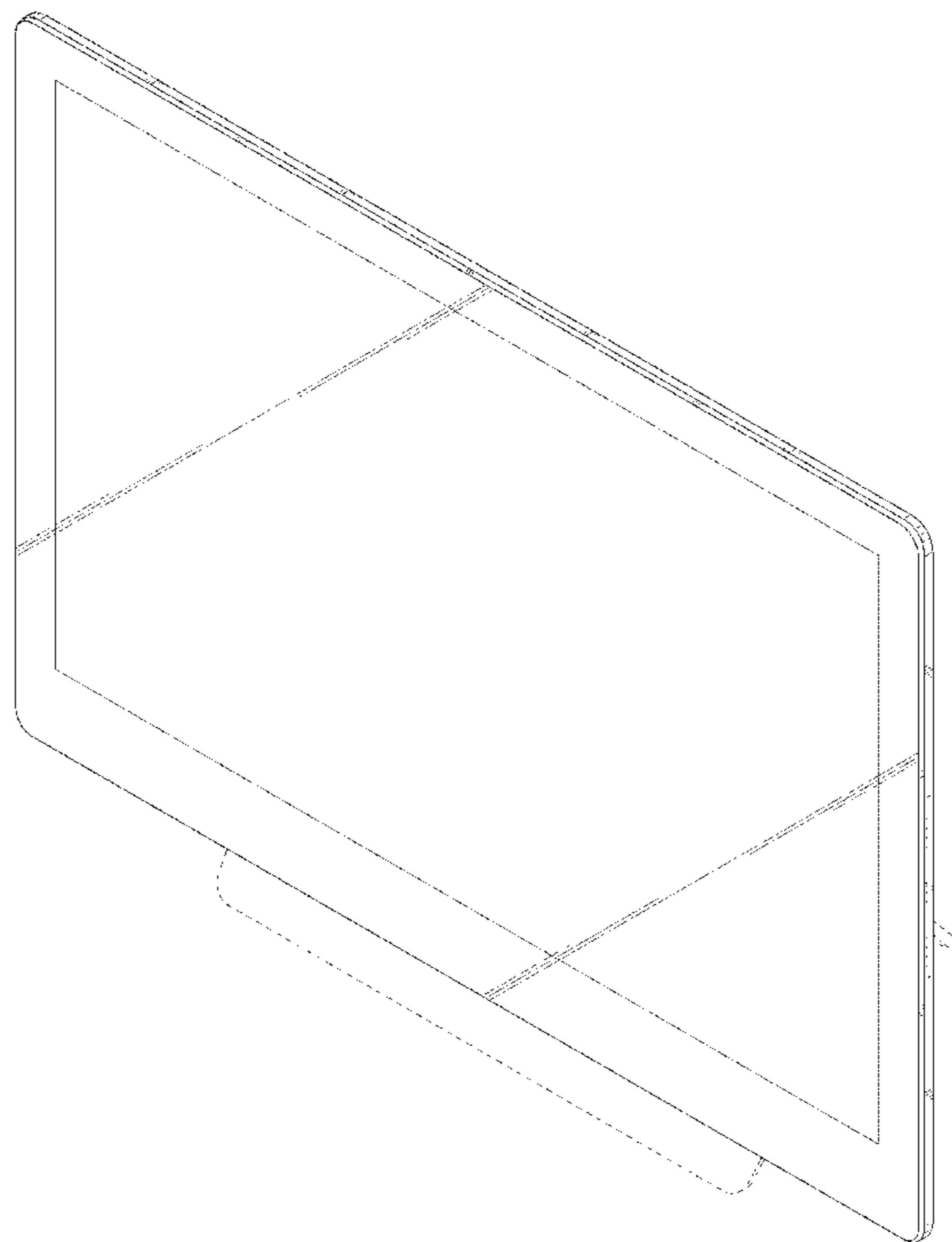


FIG. 1

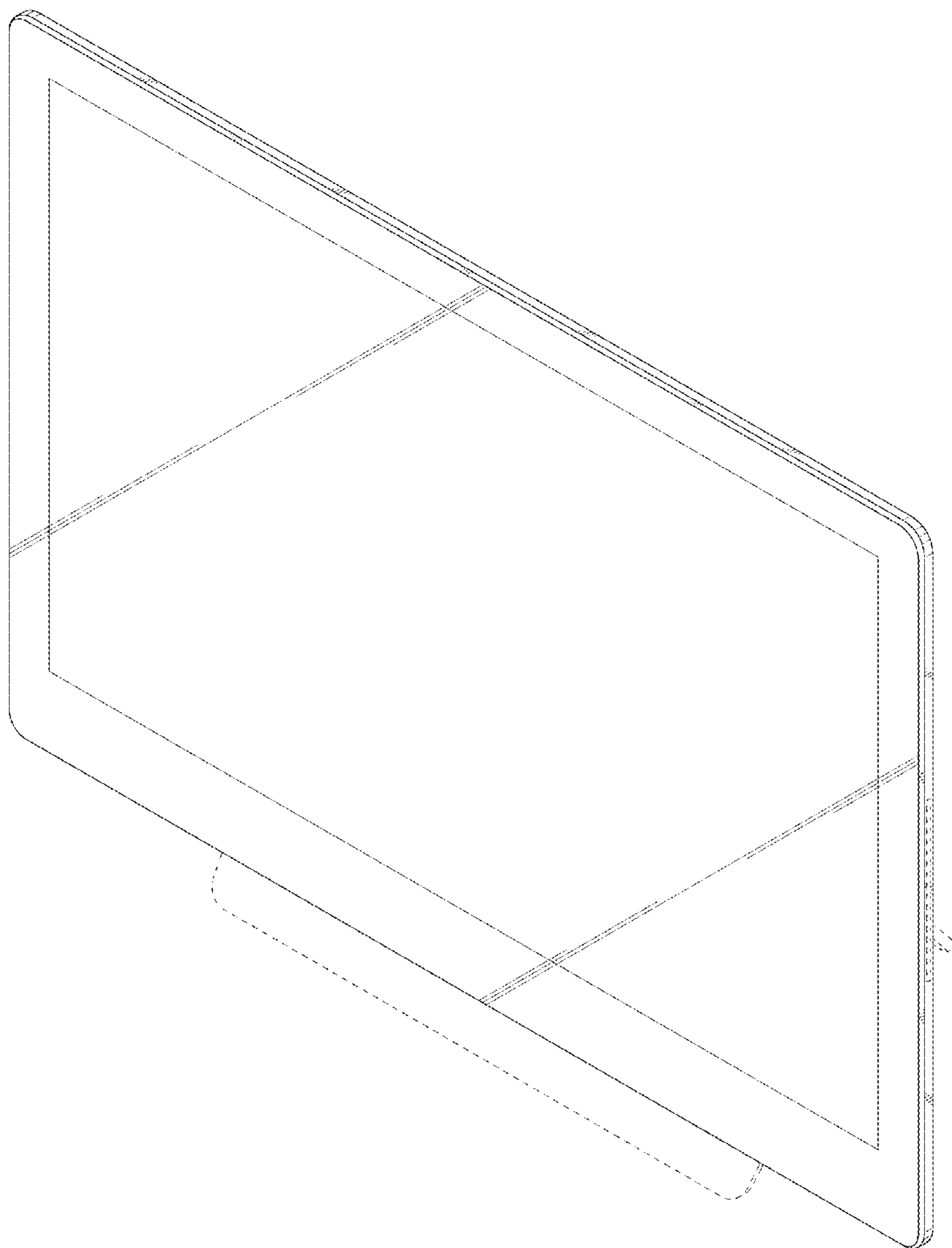


FIG.2

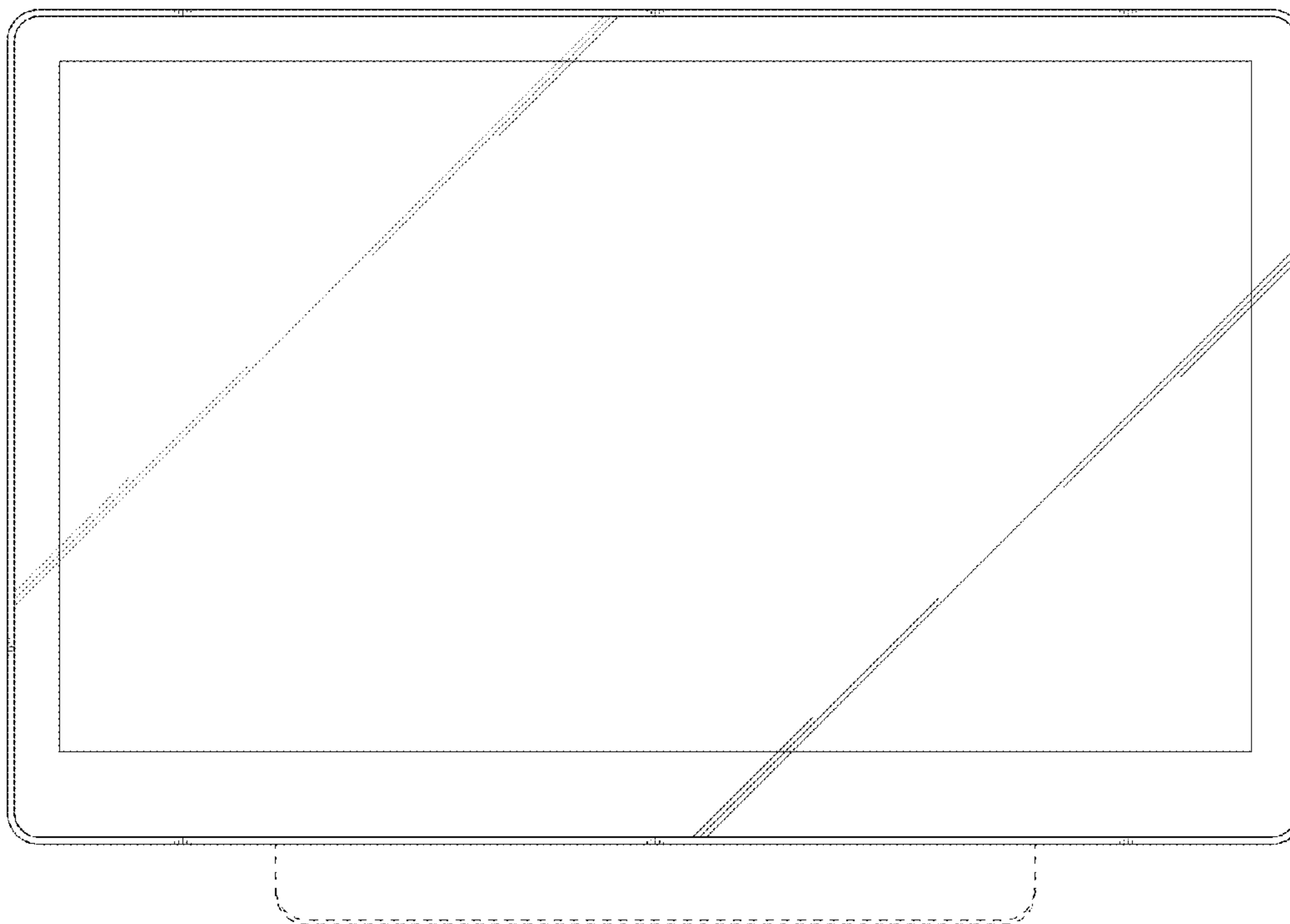


FIG.3

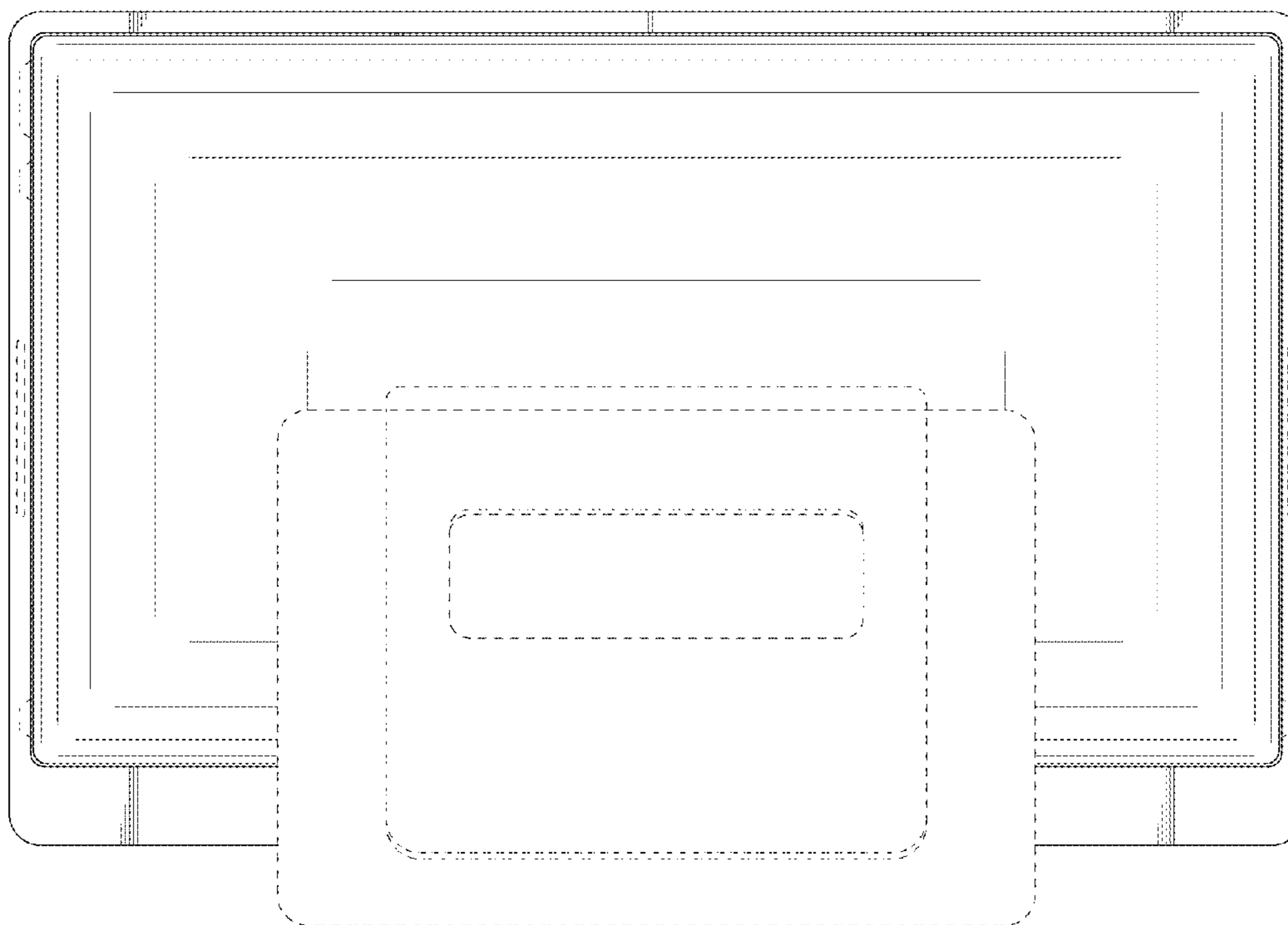


FIG.4

FIG.5

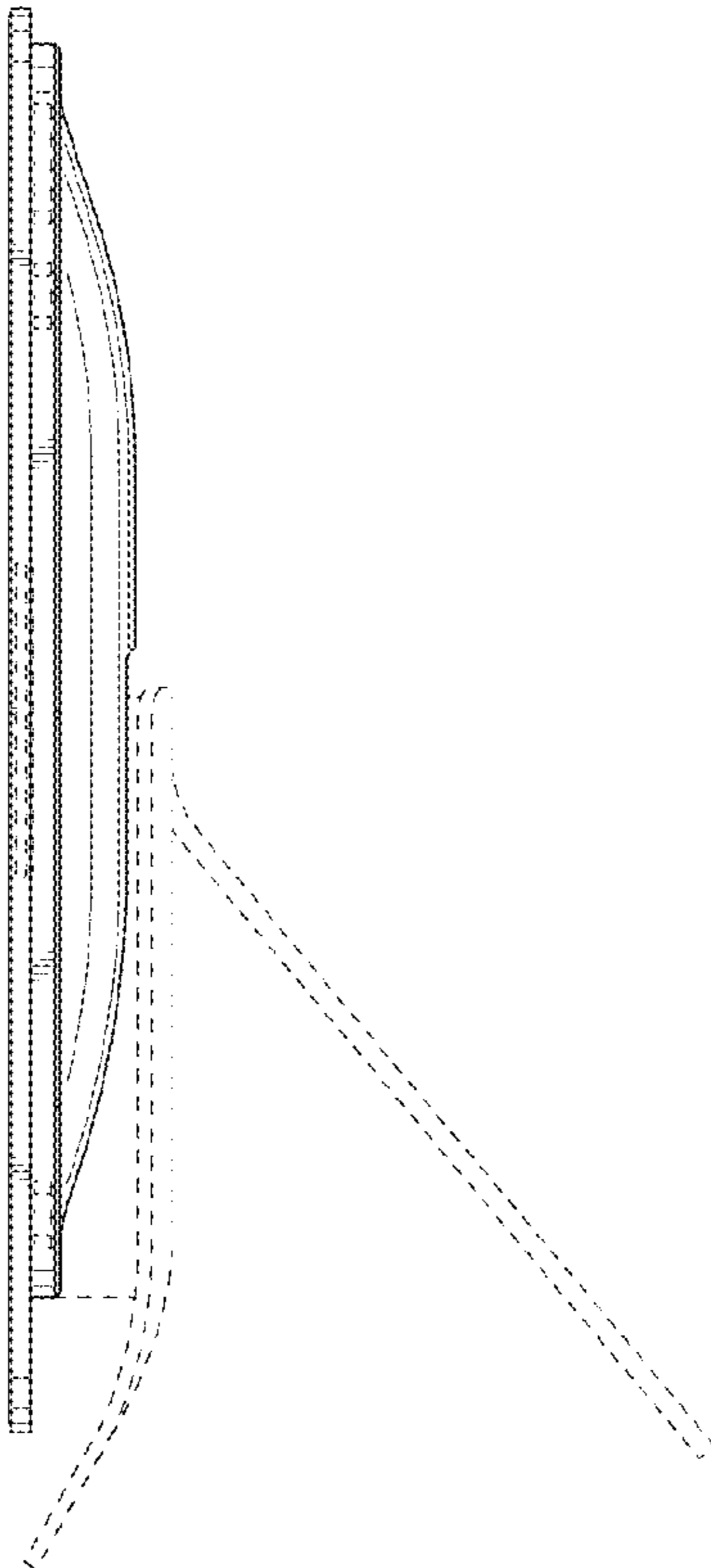
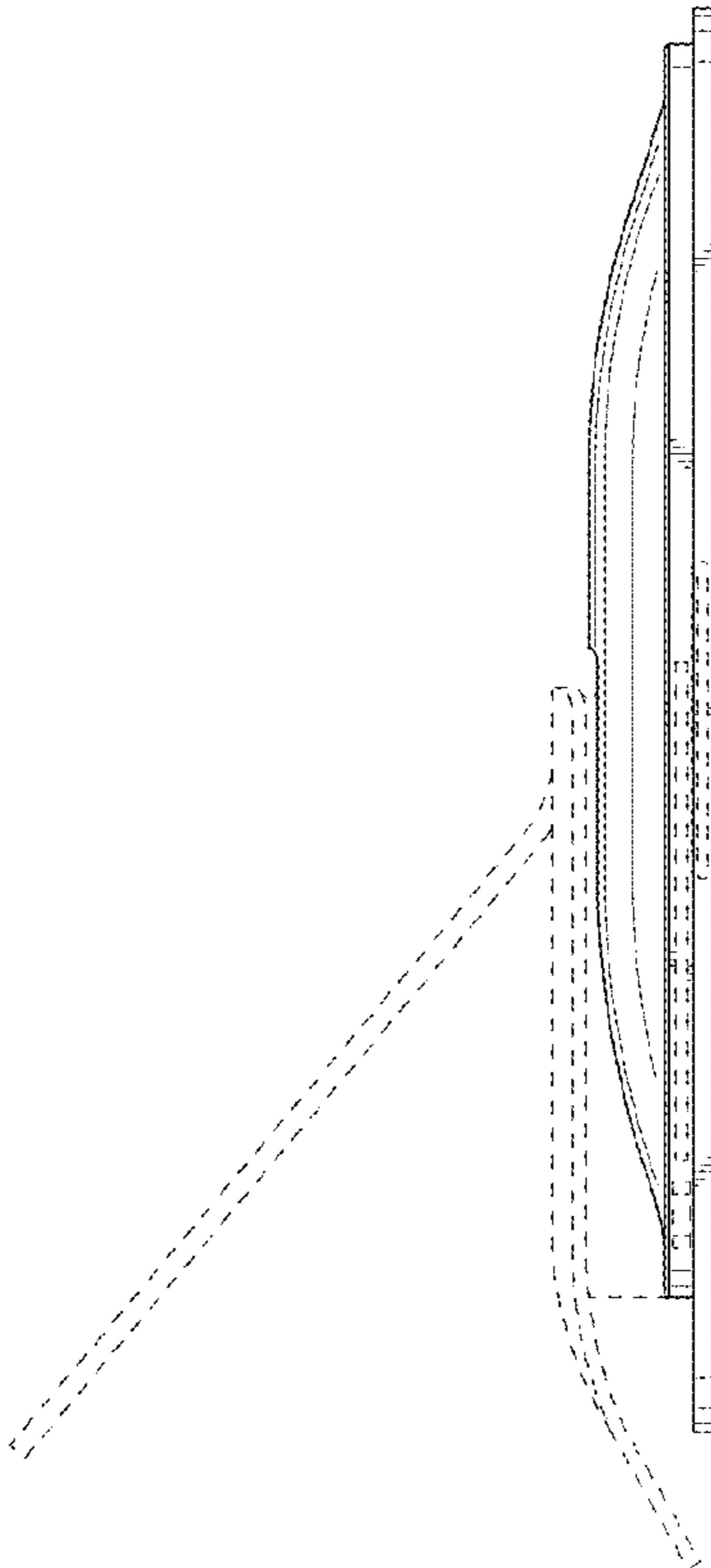


FIG.6

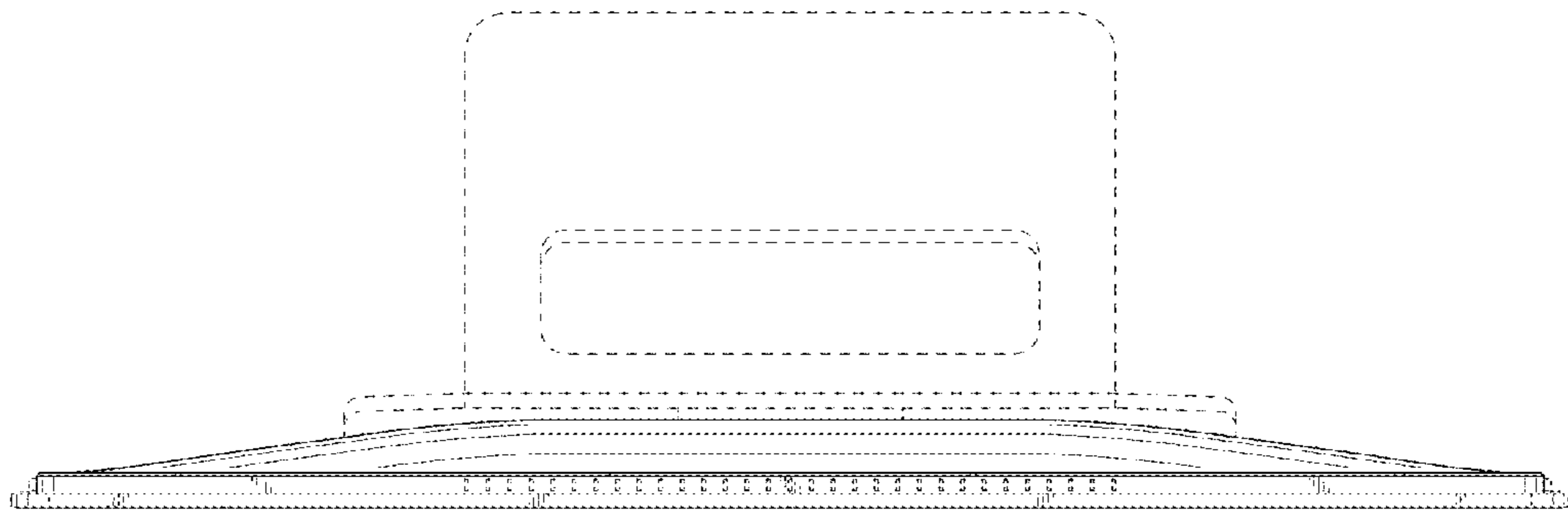


FIG.7

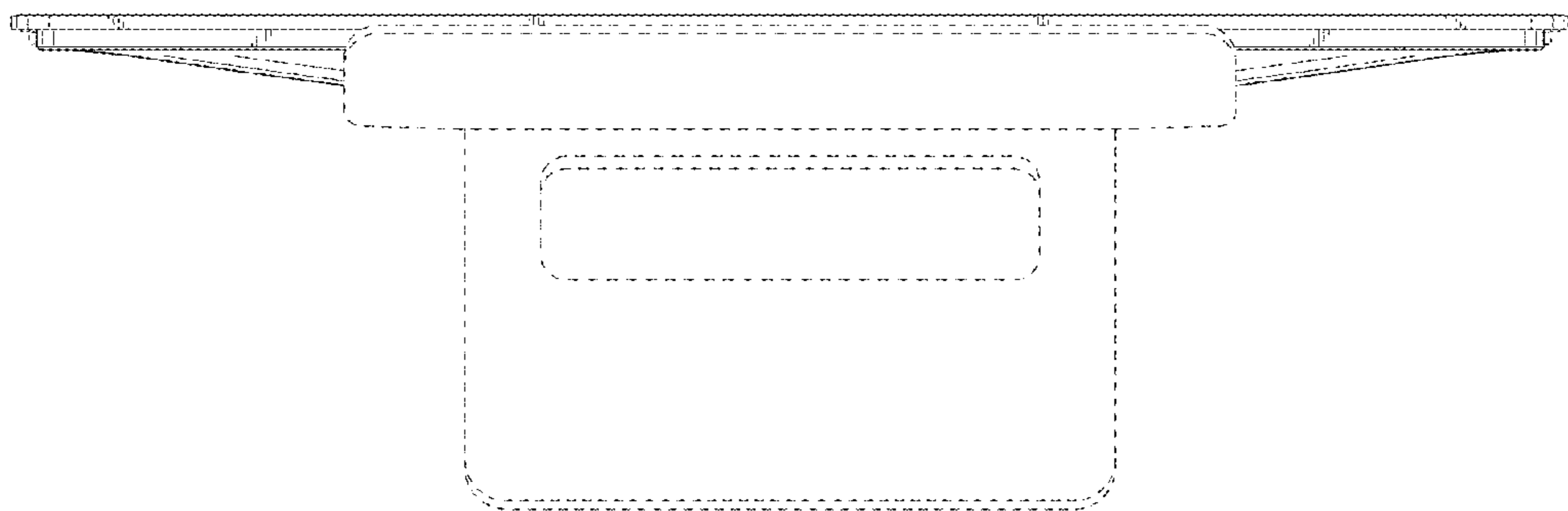


FIG.8

