



US00D727896S

(12) **United States Design Patent**  
**Laluque**

(10) **Patent No.:** **US D727,896 S**  
(45) **Date of Patent:** **\*\* Apr. 28, 2015**

(54) **HEAD WORN DISPLAY**  
(71) Applicant: **Thales Avionics Sas**, Meudon-la-Forêt (FR)  
(72) Inventor: **Laurent Laluque**, Bordeaux (FR)  
(\*\*) Term: **14 Years**  
(21) Appl. No.: **29/507,132**  
(22) Filed: **Oct. 24, 2014**  
(51) **LOC (10) Cl.** ..... **14-02**  
(52) **U.S. Cl.**  
USPC ..... **D14/372**  
(58) **Field of Classification Search**  
CPC ..... G02B 27/017; G02B 27/0158; G02B 27/0161; G02B 27/0181; G02B 27/0185; G02B 27/0189  
USPC ..... D14/372, 496, 432, 371, 125, 126, 129, D14/299; D16/300-342; 351/158, 153, 144; 345/7-9, 905; 455/344; 348/115, 53, 348/121, 739  
See application file for complete search history.

D394,649 S \* 5/1998 Pombo ..... D14/372  
D415,146 S \* 10/1999 Hori ..... D14/372  
D417,666 S \* 12/1999 Morooka ..... D14/372  
D424,553 S \* 5/2000 Larian ..... D14/372  
D427,982 S \* 7/2000 Ishii ..... D14/372  
D440,967 S \* 4/2001 Jung ..... D14/372  
D517,066 S \* 3/2006 Travers et al. .... D14/372  
D645,862 S \* 9/2011 Paul ..... D14/372  
D687,434 S \* 8/2013 Serota ..... D14/372  
D698,749 S \* 2/2014 Brunner et al. .... D14/206  
D702,234 S \* 4/2014 Pombo et al. .... D14/372  
D704,706 S \* 5/2014 Serota ..... D14/372  
D709,880 S \* 7/2014 Kim et al. .... D14/372  
D714,786 S \* 10/2014 Pombo et al. .... D14/372  
D719,953 S \* 12/2014 Nokuo et al. .... D14/372  
2010/0107292 A1 \* 5/2010 Chevallier et al. .... 2/6.2

\* cited by examiner

*Primary Examiner* — Austin Murphy  
(74) *Attorney, Agent, or Firm* — John C. Laurence; David D. Rodrigues

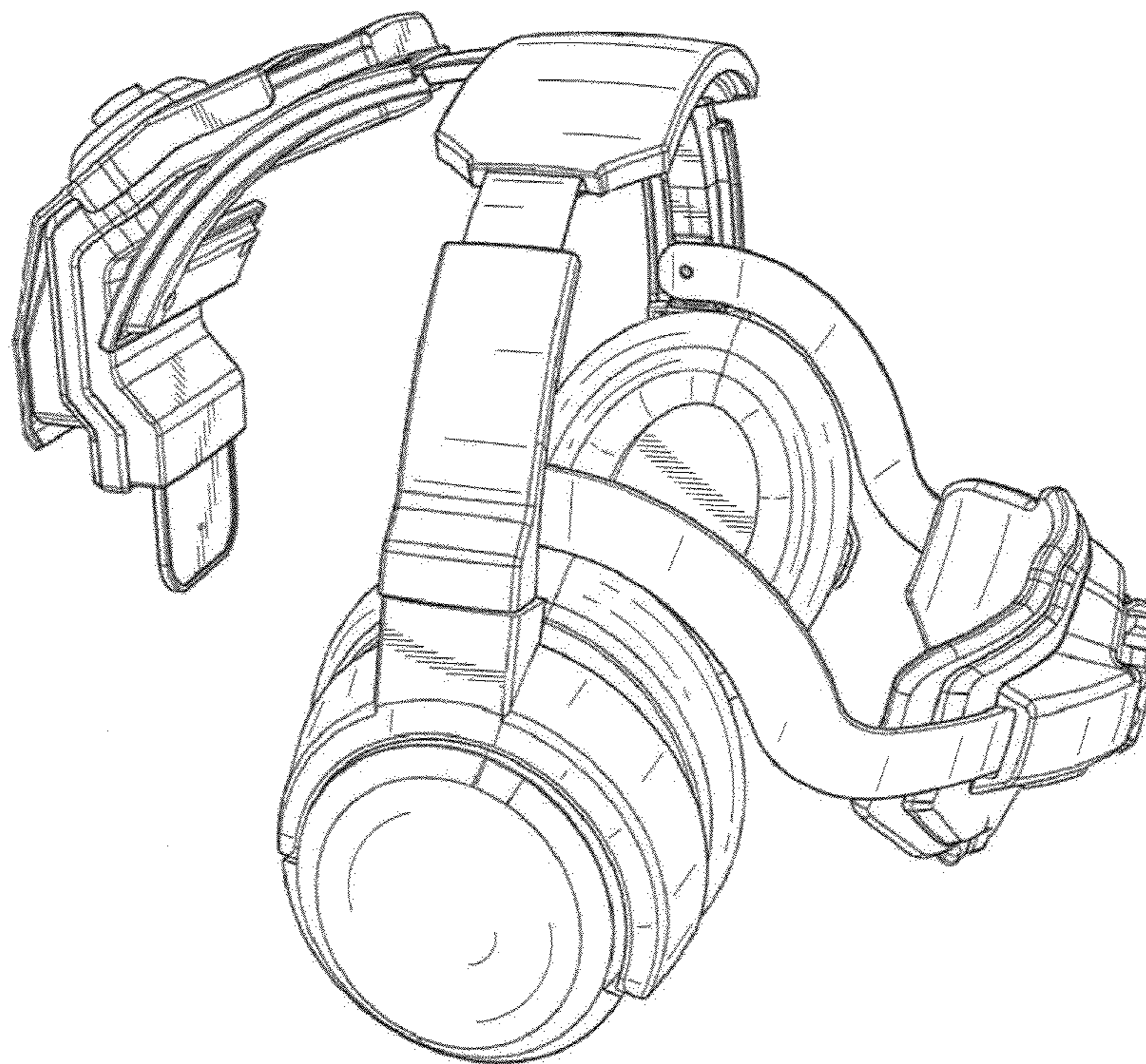
(57) **CLAIM**  
The ornamental design for a head worn display, as shown.

**DESCRIPTION**

FIG. 1 is a perspective view;  
FIG. 2 is a front view;  
FIG. 3 is a left side view;  
FIG. 4 is a right side view;  
FIG. 5 is a rear view;  
FIG. 6 is an overhead view; and,  
FIG. 7 is a bottom view.

**1 Claim, 7 Drawing Sheets**

(56) **References Cited**  
U.S. PATENT DOCUMENTS  
D338,514 S \* 8/1993 Holmes ..... D14/372  
D363,482 S \* 10/1995 Robinson et al. .... D14/372  
D369,595 S \* 5/1996 Kober et al. .... D14/372  
D381,646 S \* 7/1997 Taylor et al. .... D14/372  
D388,426 S \* 12/1997 Pombo ..... D14/372  
D392,629 S \* 3/1998 Amafuji et al. .... D14/372



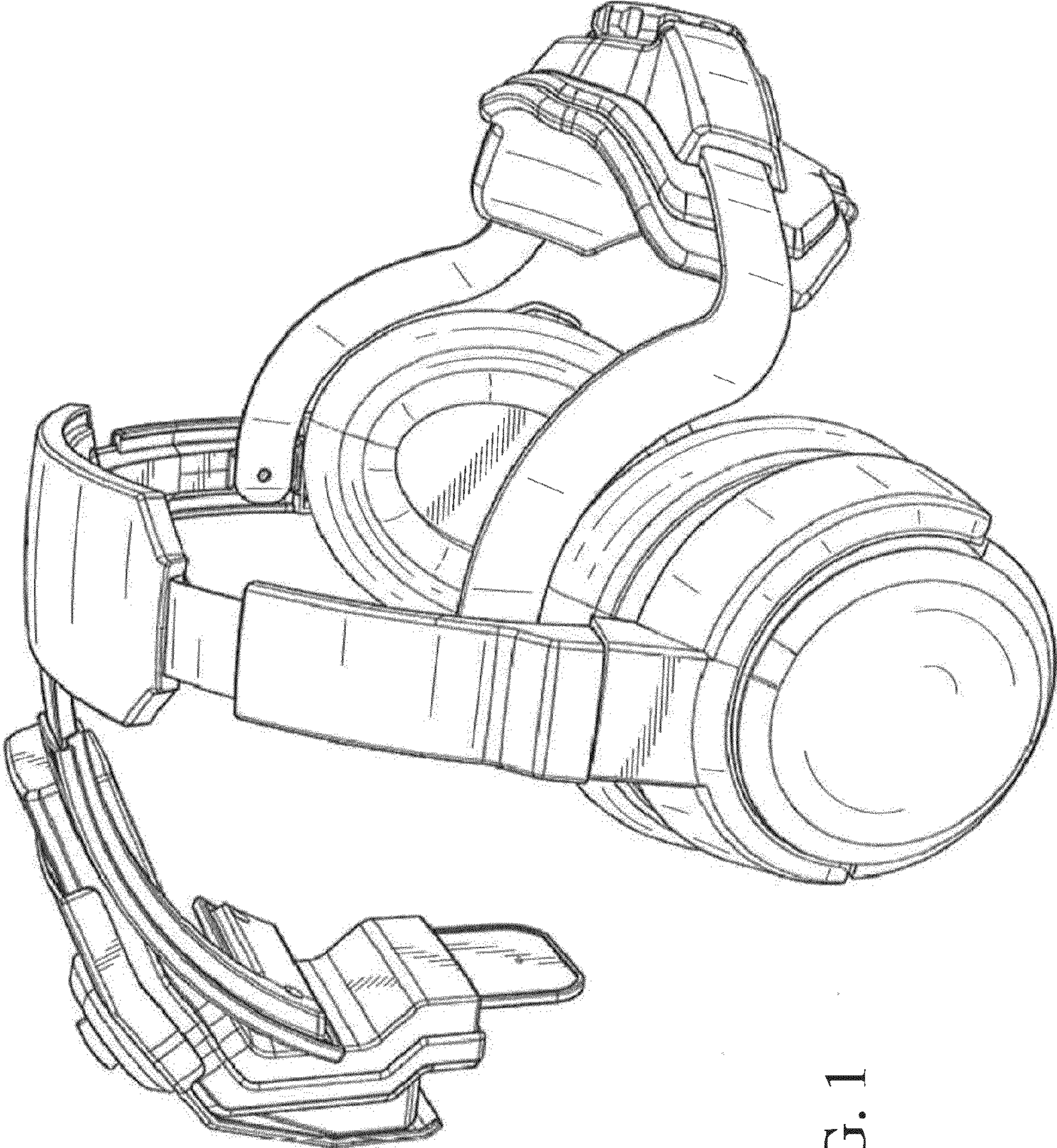


FIG. 1

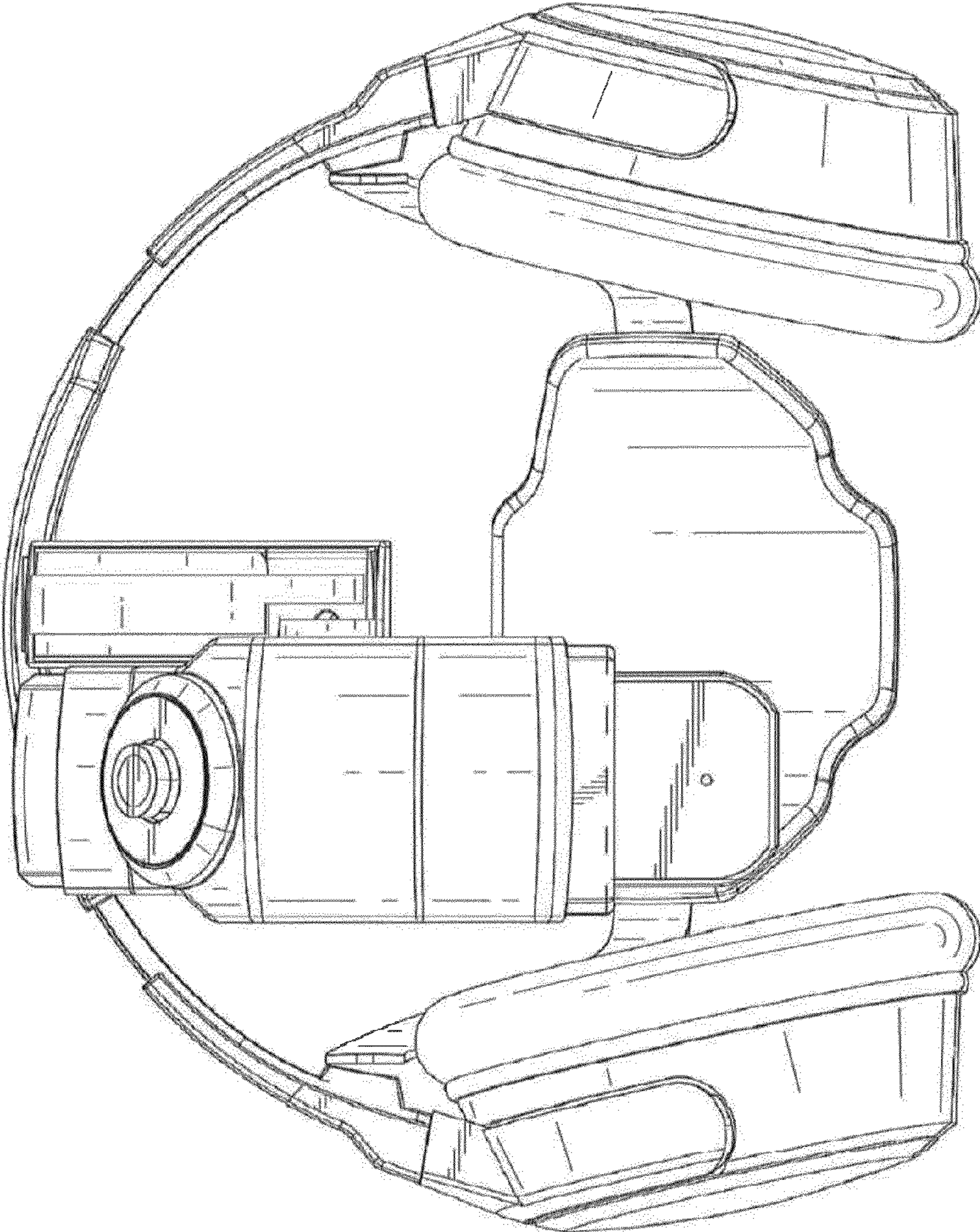


FIG. 2

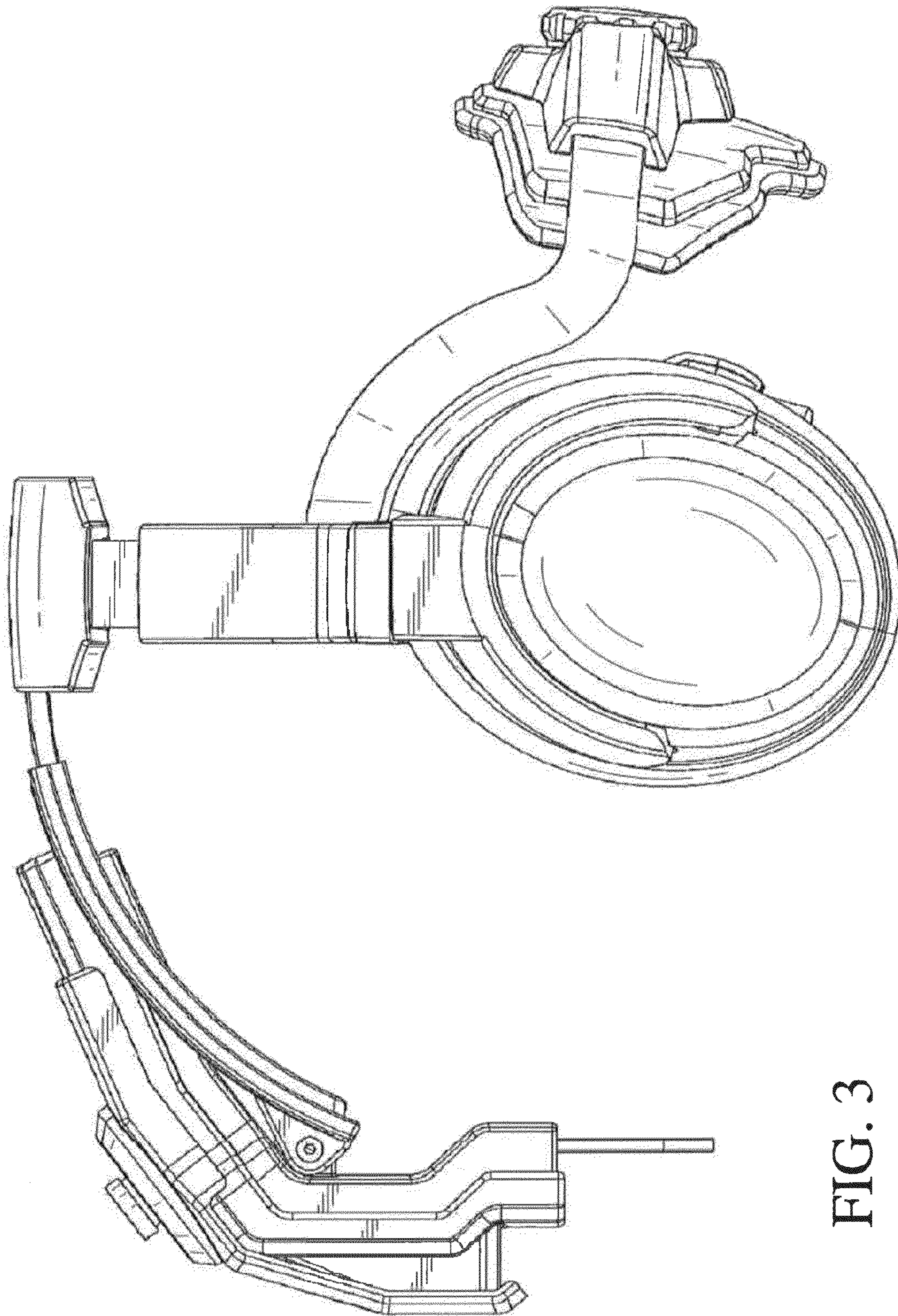


FIG. 3

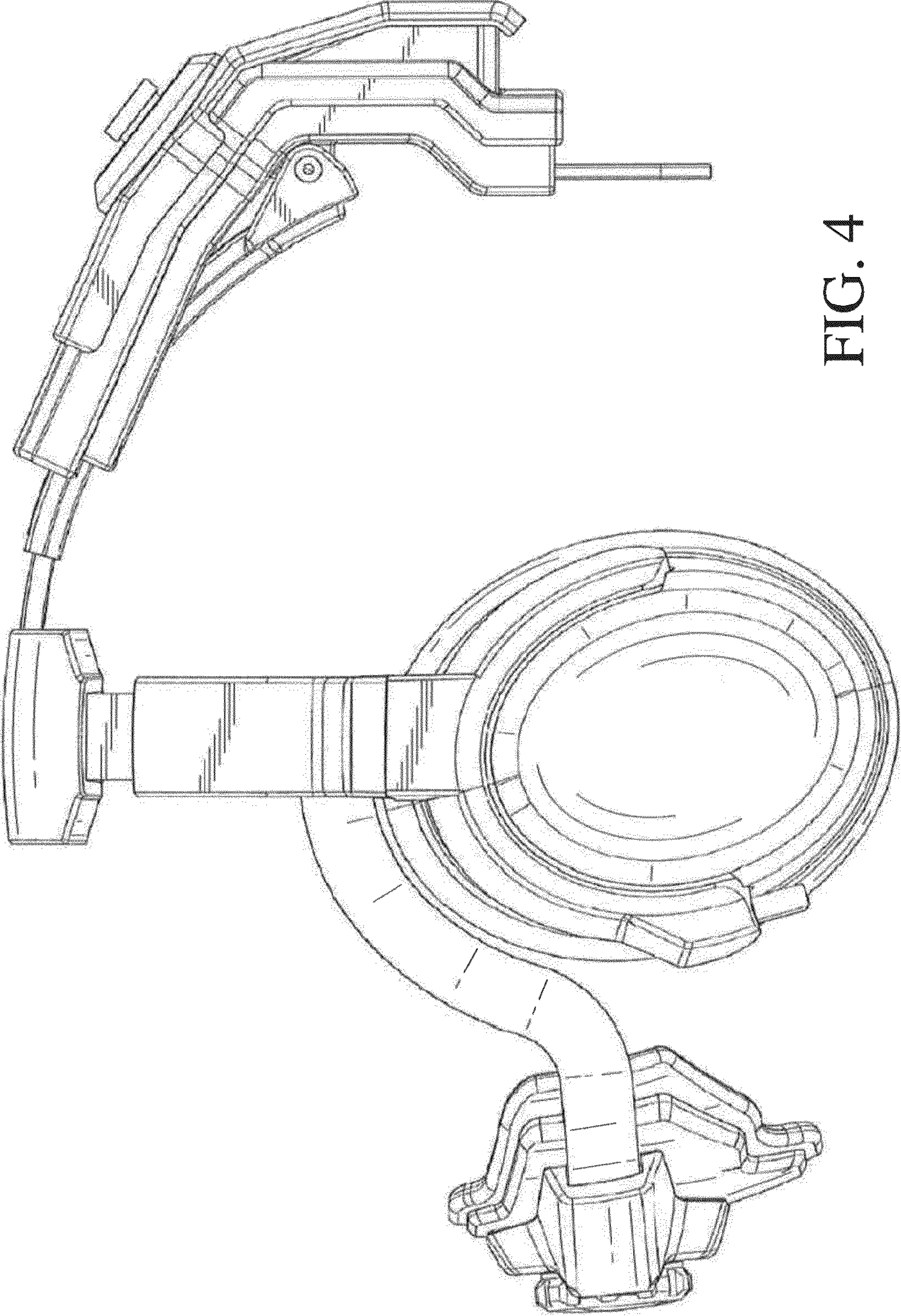


FIG. 4

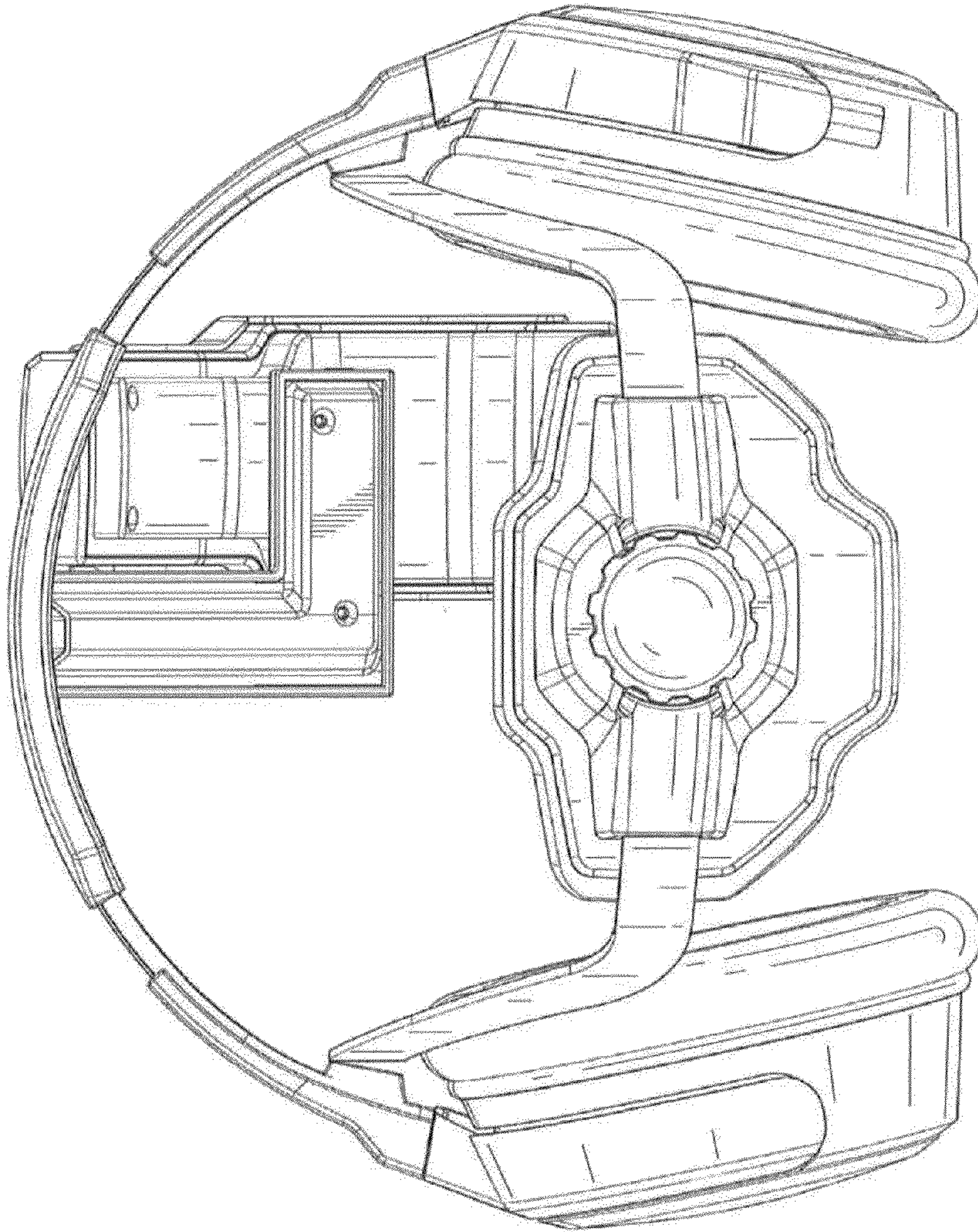


FIG. 5

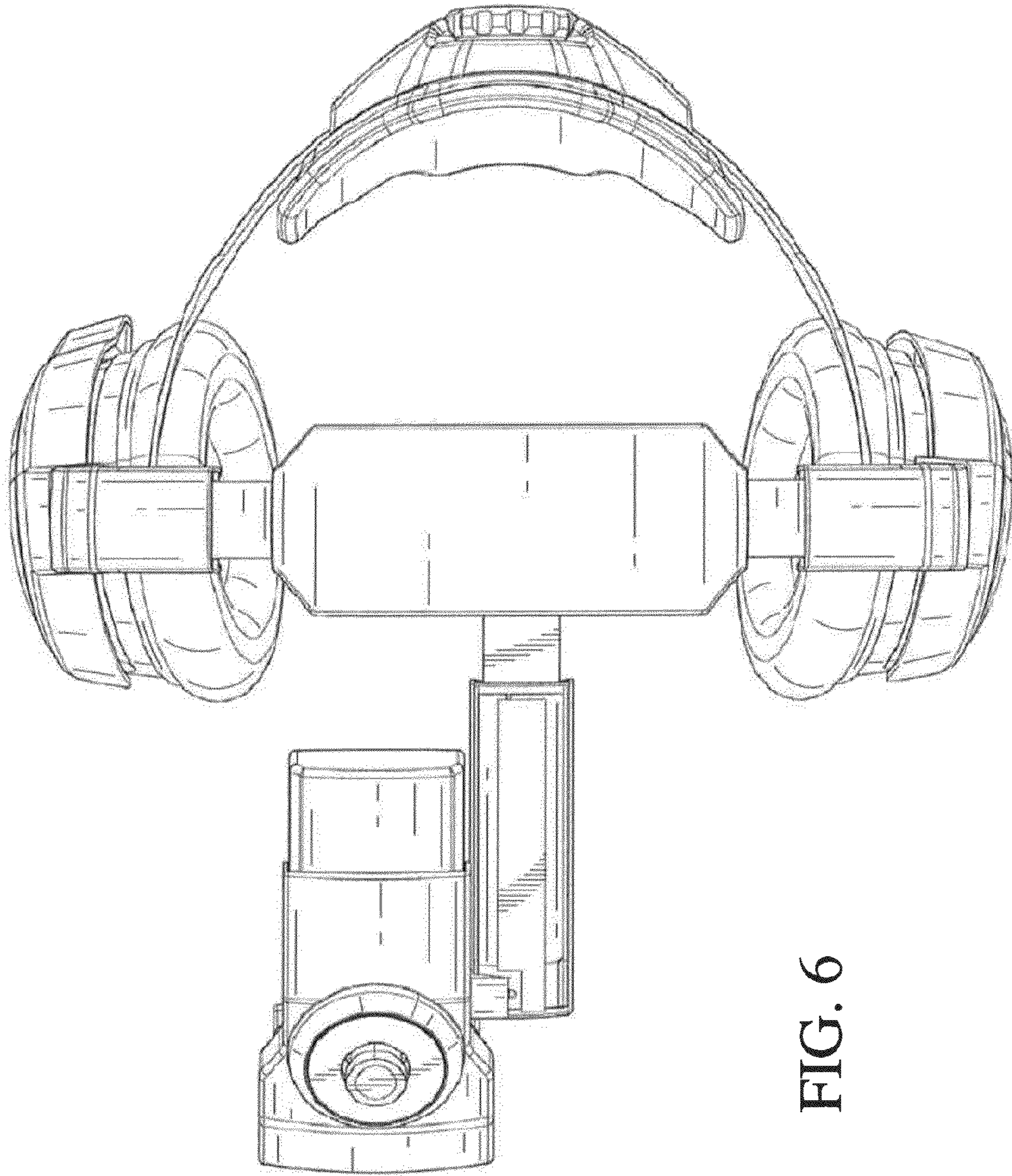


FIG. 6

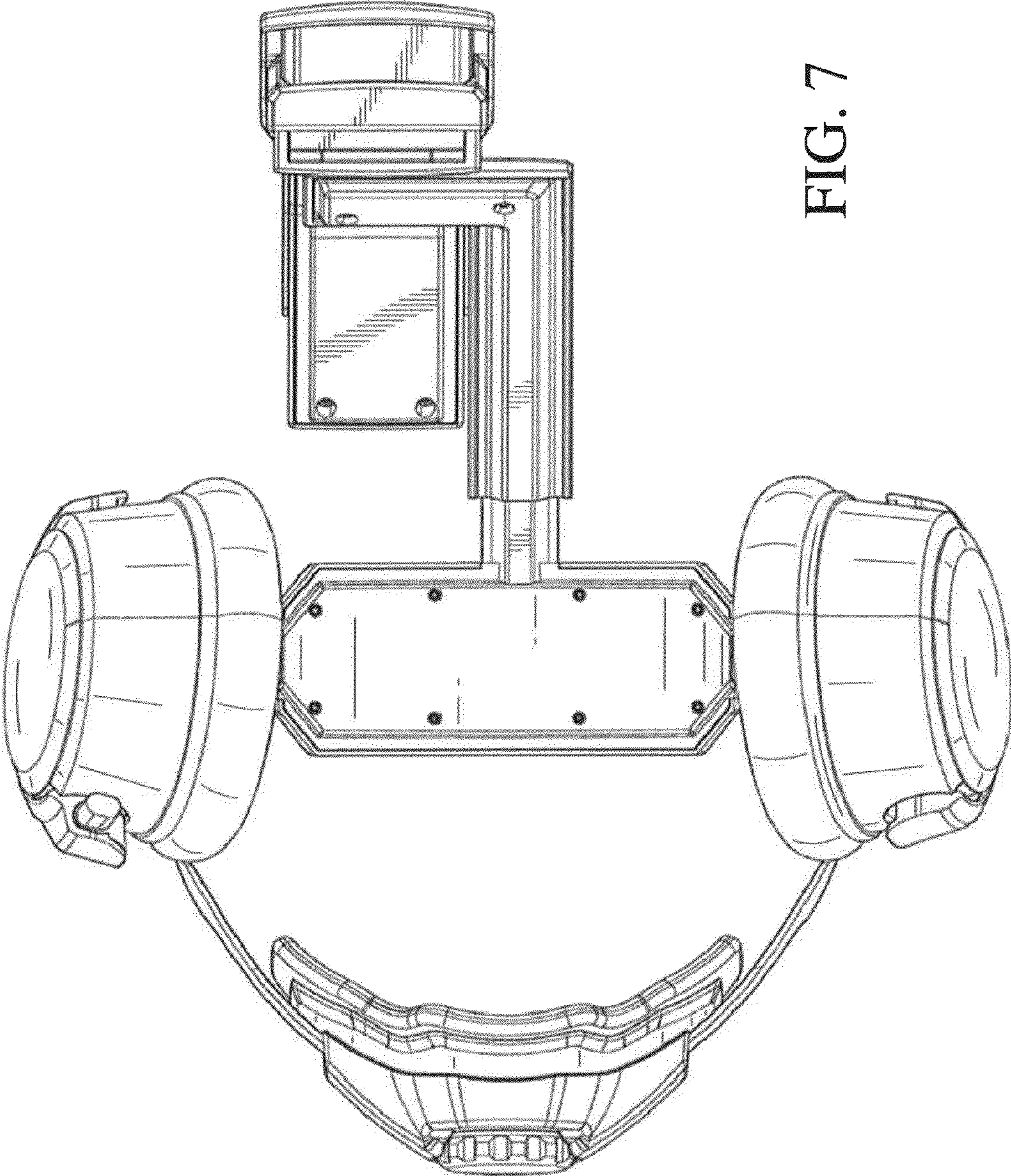


FIG. 7