



US00D727895S

(12) **United States Design Patent**
Aoki et al.

(10) **Patent No.:** **US D727,895 S**
(45) **Date of Patent:** **** Apr. 28, 2015**

(54) **DISPLAY DEVICE**

(71) Applicant: **Samsung Electronics Co., Ltd.**,
Suwon-si, Gyeonggi-do (KR)
(72) Inventors: **Takeo Aoki**, Tokyo (JP); **Byeong-Yong Song**, Goyang-si (KR); **Jin-Soo Ha**,
Seoul (KR)
(73) Assignee: **Samsung Electronics Co., Ltd.** (KR)
(**) Term: **14 Years**

(21) Appl. No.: **29/472,628**

(22) Filed: **Nov. 14, 2013**

(30) **Foreign Application Priority Data**

May 15, 2013 (KR) 30-2013-0025610

(51) **LOC (10) Cl.** **14-02**

(52) **U.S. Cl.**
USPC **D14/371**

(58) **Field of Classification Search**
USPC D14/371-375, 125-129, 336, 337, 432;
341/12; 345/104, 156, 168, 173, 1.1;
348/180, 184, 325, 739; 349/1, 2, 11,
349/62; 361/679.01, 679.04, 679.05,
361/679.07, 679.21, 679.27; D6/300, 308;
D19/65, 75, 135

See application file for complete search history.

(56) **References Cited**

U.S. PATENT DOCUMENTS

| | | | | | |
|--------------|------|---------|-----------------|-------|------------|
| 5,590,021 | A * | 12/1996 | Register | | 361/679.21 |
| D449,609 | S * | 10/2001 | Jung | | D14/374 |
| 6,667,877 | B2 * | 12/2003 | Duquette | | 361/679.04 |
| D489,342 | S * | 5/2004 | Campbell et al. | | D14/130 |
| D496,934 | S * | 10/2004 | Borsboom | | D14/371 |
| D543,960 | S * | 6/2007 | Bloem | | D14/126 |
| 7,375,954 | B2 * | 5/2008 | Yang | | 361/679.27 |
| D630,628 | S * | 1/2011 | Kovac | | D14/327 |
| D665,760 | S * | 8/2012 | Chiu | | D14/126 |
| 2004/0196209 | A1 * | 10/2004 | Chen et al. | | 345/1.1 |
| 2006/0214871 | A1 * | 9/2006 | Iwamura | | 345/1.1 |

* cited by examiner

Primary Examiner — Freda S Nunn

(74) *Attorney, Agent, or Firm* — Cantor Colburn LLP

(57) **CLAIM**

The ornamental design for a display device, as shown and described.

DESCRIPTION

FIG. 1 is a front perspective view of a display device showing our new design;
FIG. 2 is a front view thereof;
FIG. 3 is a rear view thereof;
FIG. 4 is a side view thereof;
FIG. 5 is another side view thereof;
FIG. 6 is a top view thereof; and,
FIG. 7 is a bottom view thereof.
The broken lines illustrating portions of the display device are for environmental purposes only and form no part of the claimed design.

1 Claim, 4 Drawing Sheets

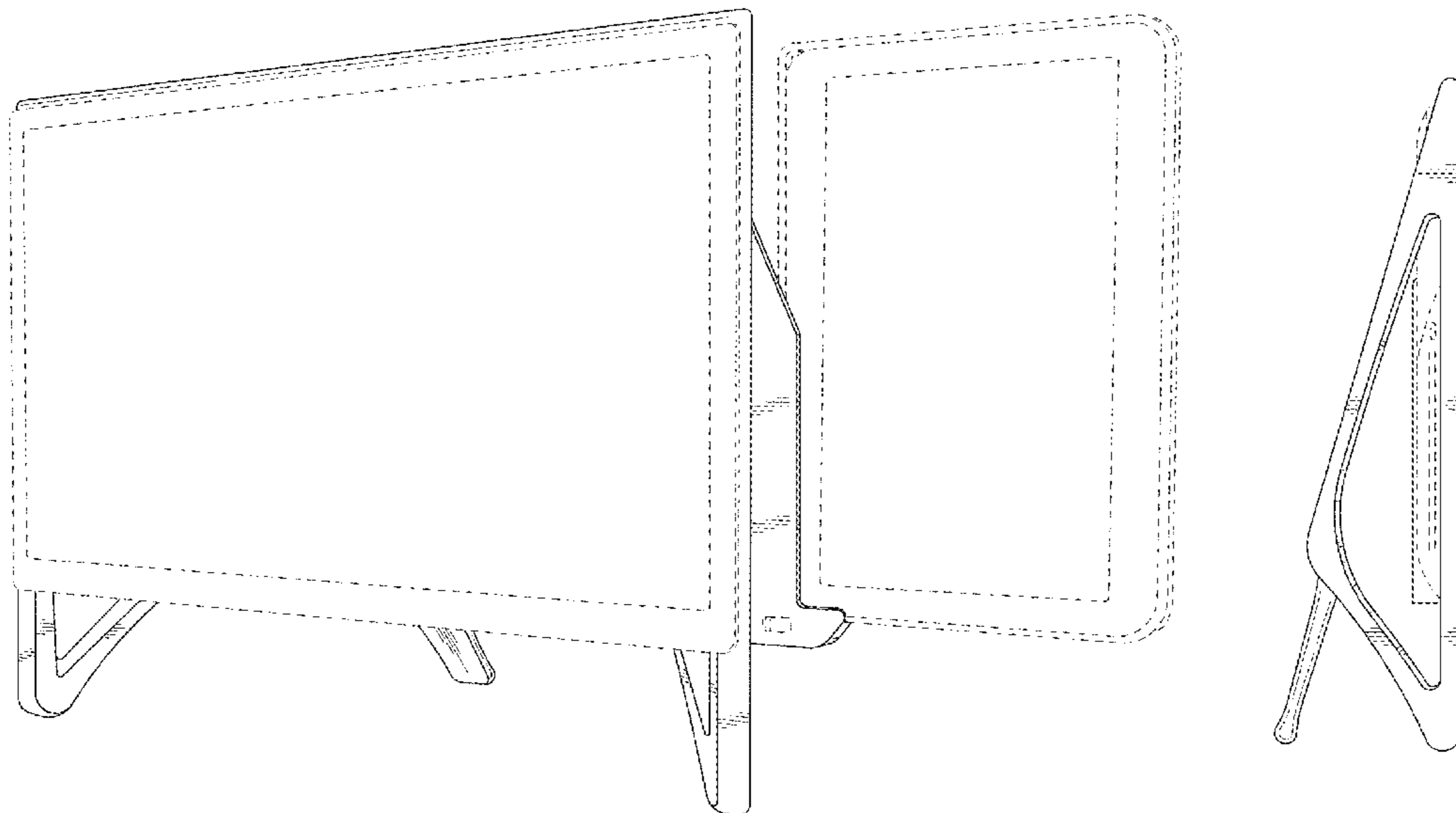


FIG.1

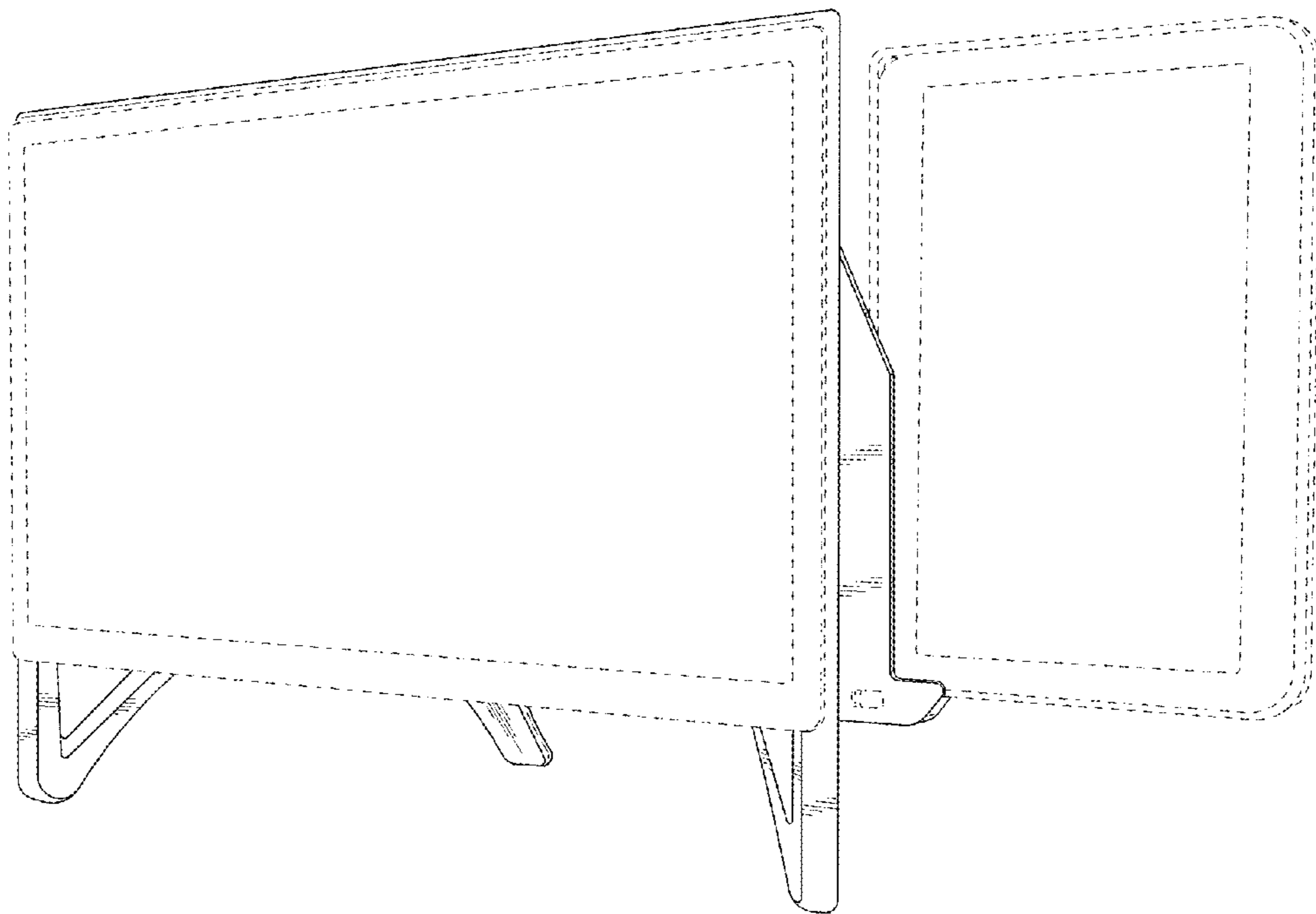


FIG.2

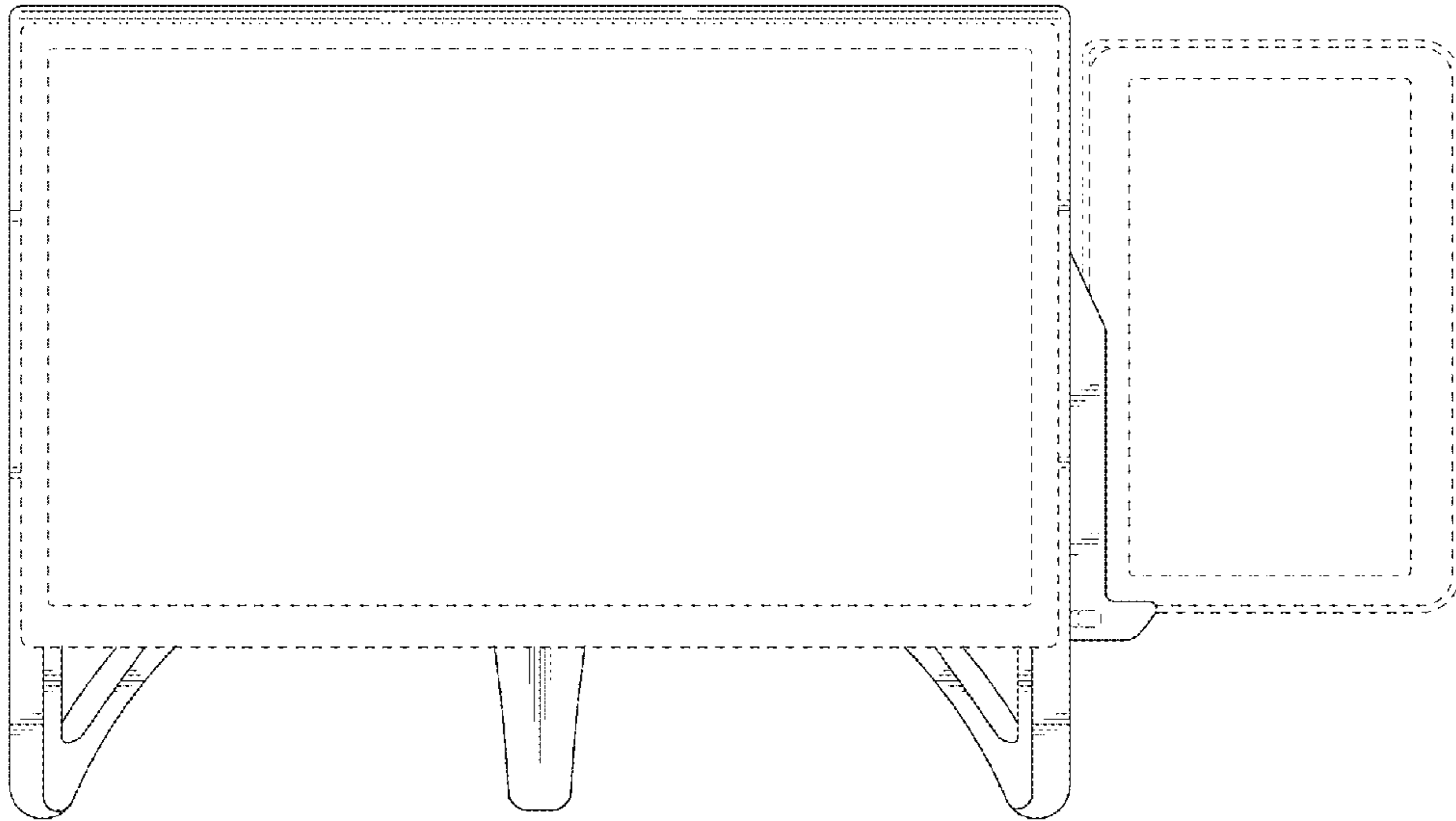


FIG.3

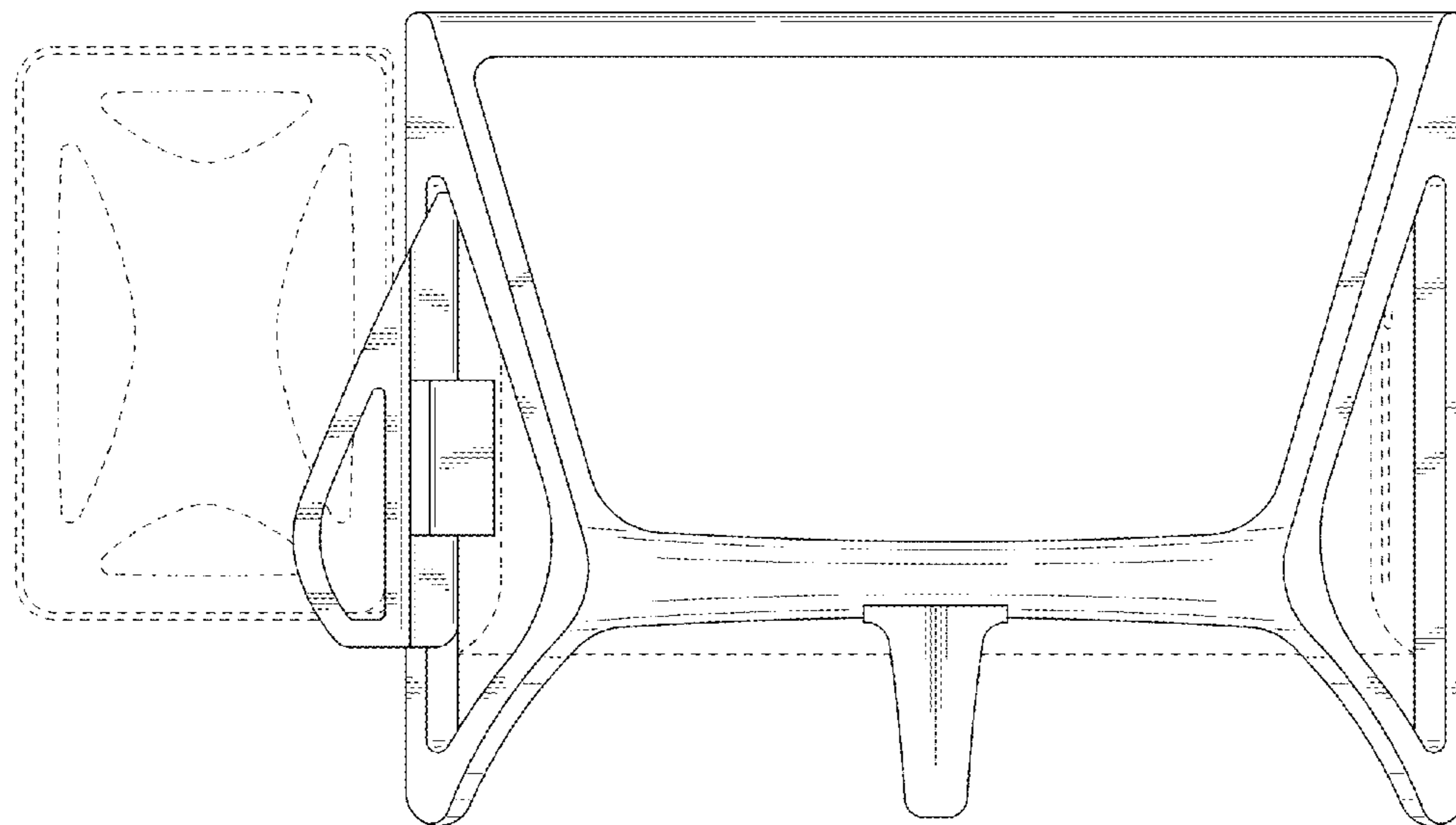


FIG.4

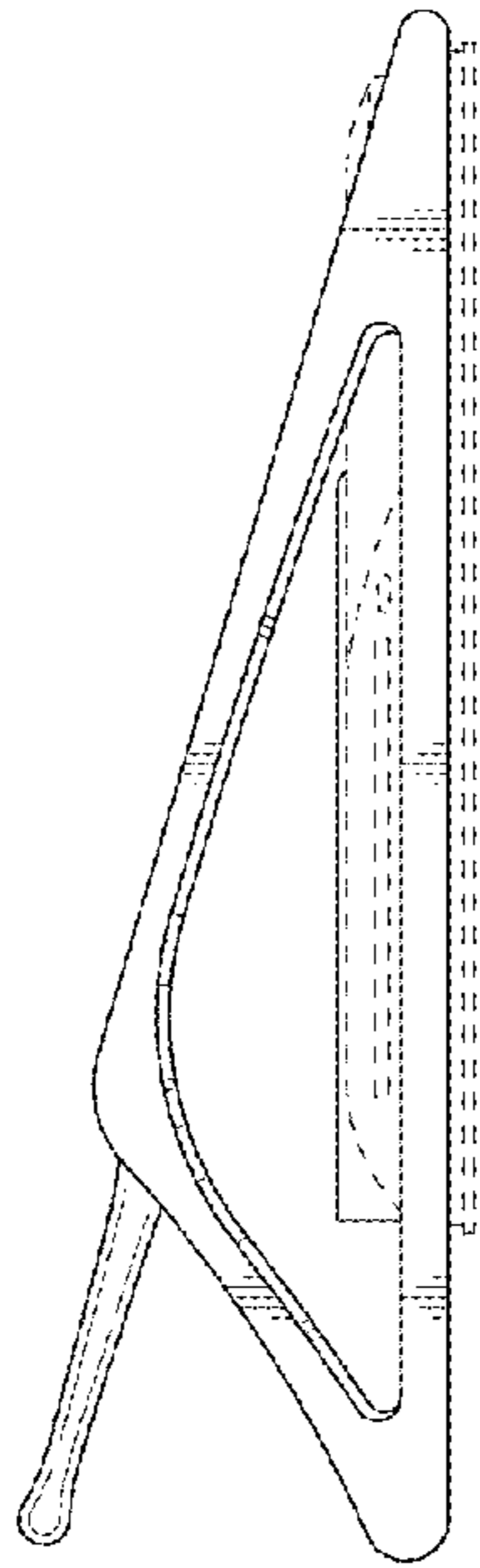


FIG.5

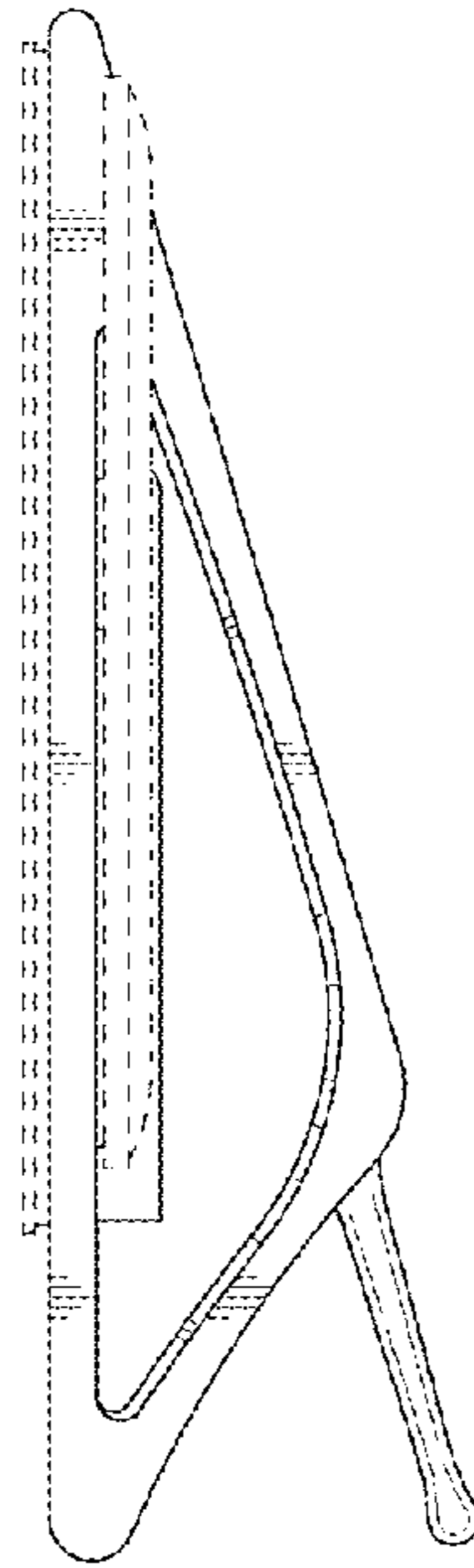


FIG.6

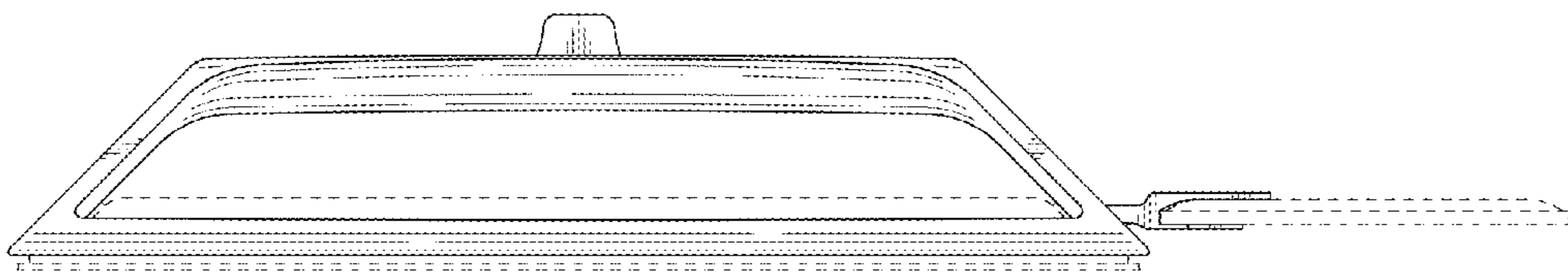


FIG.7

