



US00D727885S

(12) **United States Design Patent**
Requa

(10) **Patent No.:** **US D727,885 S**
(45) **Date of Patent:** **** Apr. 28, 2015**

(54) **ATTACHABLE STUDED JACKET**

(71) Applicant: **James Requa**, Los Angeles, CA (US)

(72) Inventor: **James Requa**, Los Angeles, CA (US)

(**) Term: **14 Years**

(21) Appl. No.: **29/452,832**

(22) Filed: **Apr. 22, 2013**

(51) **LOC (10) Cl.** **14-03**

(52) **U.S. Cl.**
USPC **D14/250**

(58) **Field of Classification Search**
USPC D14/250, 138 AA, 138 AB, 138 AD,
D14/138 G, 217, 238.1, 248, 251–253, 346,
D14/356, 440, 496, 203.5, 203.8; D13/103,
D13/107, 108; D3/201, 218, 247, 269, 273,
D3/301, 303; 455/575.1, 575.8; 206/305,
206/320, 251, 45.2

See application file for complete search history.

(56) **References Cited**

U.S. PATENT DOCUMENTS

D19,155 S *	6/1889	Sagendorph	D25/160
D144,114 S *	3/1946	Kaphan	D3/245
D606,532 S *	12/2009	de Jong et al.	D14/250
D609,230 S *	2/2010	Ferrari et al.	D14/250
D623,180 S *	9/2010	Diebel	D14/250
D655,281 S *	3/2012	Turocy	D14/250
D662,923 S *	7/2012	Piedra et al.	D14/250
D669,062 S *	10/2012	Rothbaum et al.	D14/250
D669,458 S *	10/2012	Wilson et al.	D14/250
D671,102 S *	11/2012	Rothbaum et al.	D14/250

D671,105 S *	11/2012	Rothbaum et al.	D14/250
D671,107 S *	11/2012	Rothbaum et al.	D14/250
D671,745 S *	12/2012	Wyner	D3/301
D678,869 S *	3/2013	Diebel	D14/250
D679,699 S *	4/2013	Piedra et al.	D14/250
D680,107 S *	4/2013	Piedra et al.	D14/250
D694,222 S *	11/2013	Thompson et al.	D14/238.1
D696,513 S *	12/2013	Louboutin	D3/247
8,695,798 B2 *	4/2014	Simmer	206/320
2012/0103844 A1 *	5/2012	Piedra et al.	206/320
2012/0261289 A1 *	10/2012	Wyner et al.	206/320
2013/0045782 A1 *	2/2013	Simmer	455/575.8
2014/0028162 A1 *	1/2014	Carlson	312/223.1
2014/0078671 A1 *	3/2014	Hong	361/679.56

* cited by examiner

Primary Examiner — Barbara Fox

Assistant Examiner — Lilyana Bekic

(74) *Attorney, Agent, or Firm* — QuickPatents; Kevin Prince

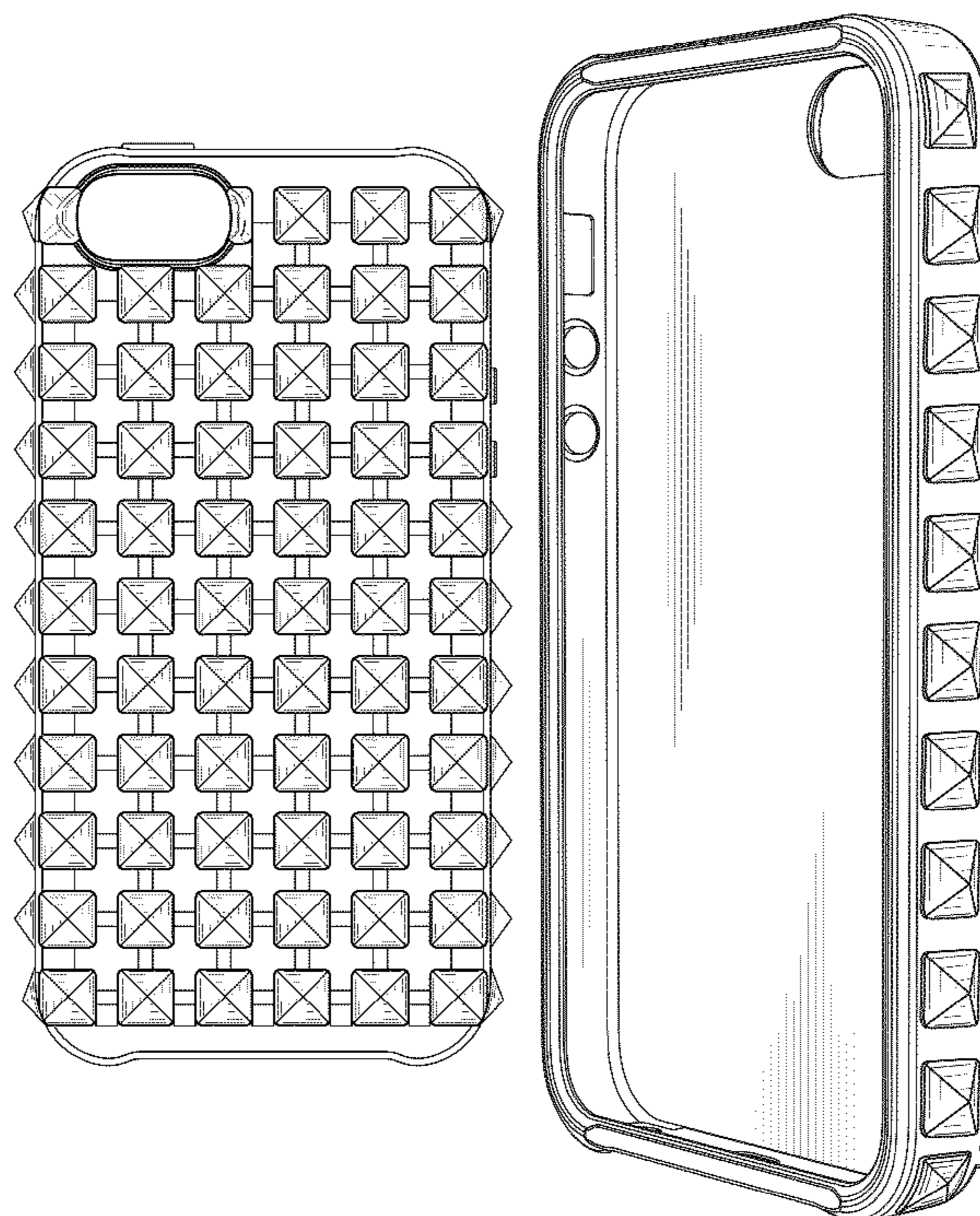
(57) **CLAIM**

I claim the ornamental design for a attachable studded jacket, as shown and described.

DESCRIPTION

FIG. 1 is a rear perspective view of a attachable studded jacket, showing my new design;
FIG. 2 is a rear elevational view thereof;
FIG. 3 is a front elevational view thereof;
FIG. 4 is a right-side elevational view thereof;
FIG. 5 is a left-side elevational view thereof;
FIG. 6 is a top plan view thereof;
FIG. 7 is a bottom plan view thereof; and,
FIG. 8 is a front perspective view thereof.

1 Claim, 4 Drawing Sheets



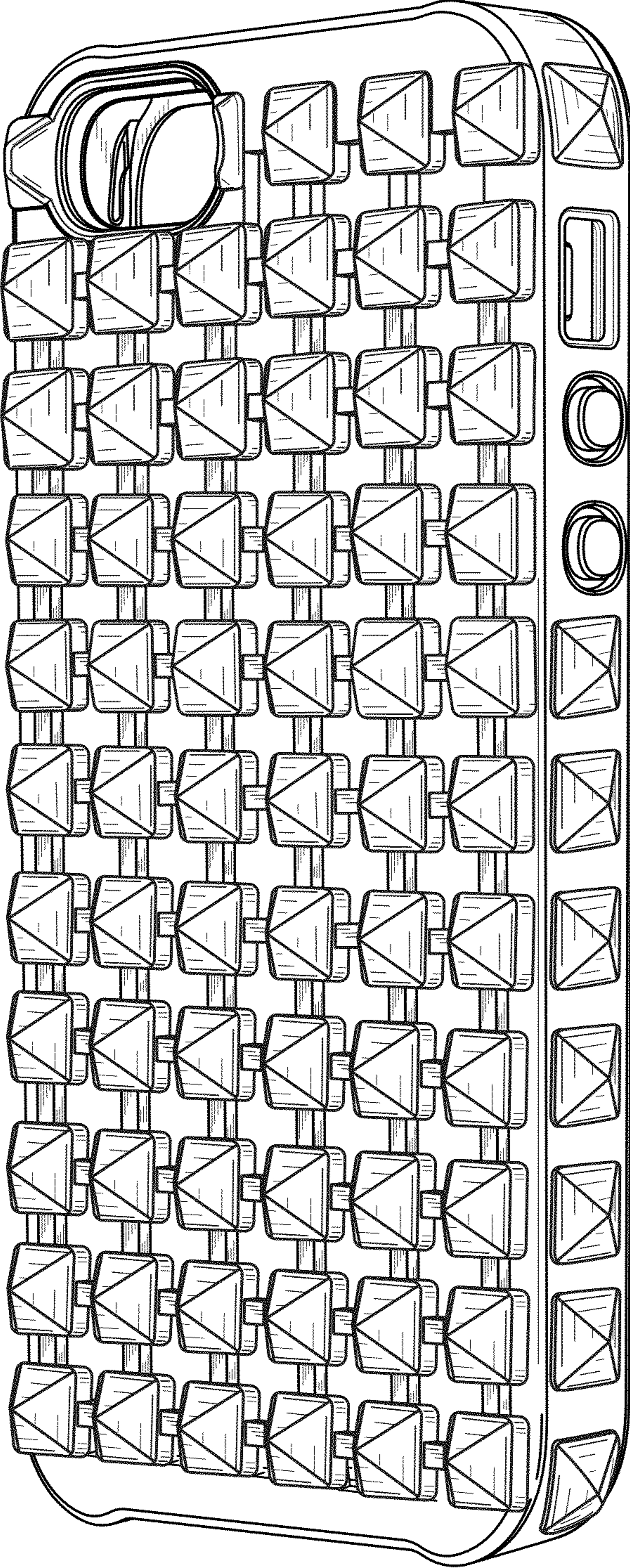


FIG. 1

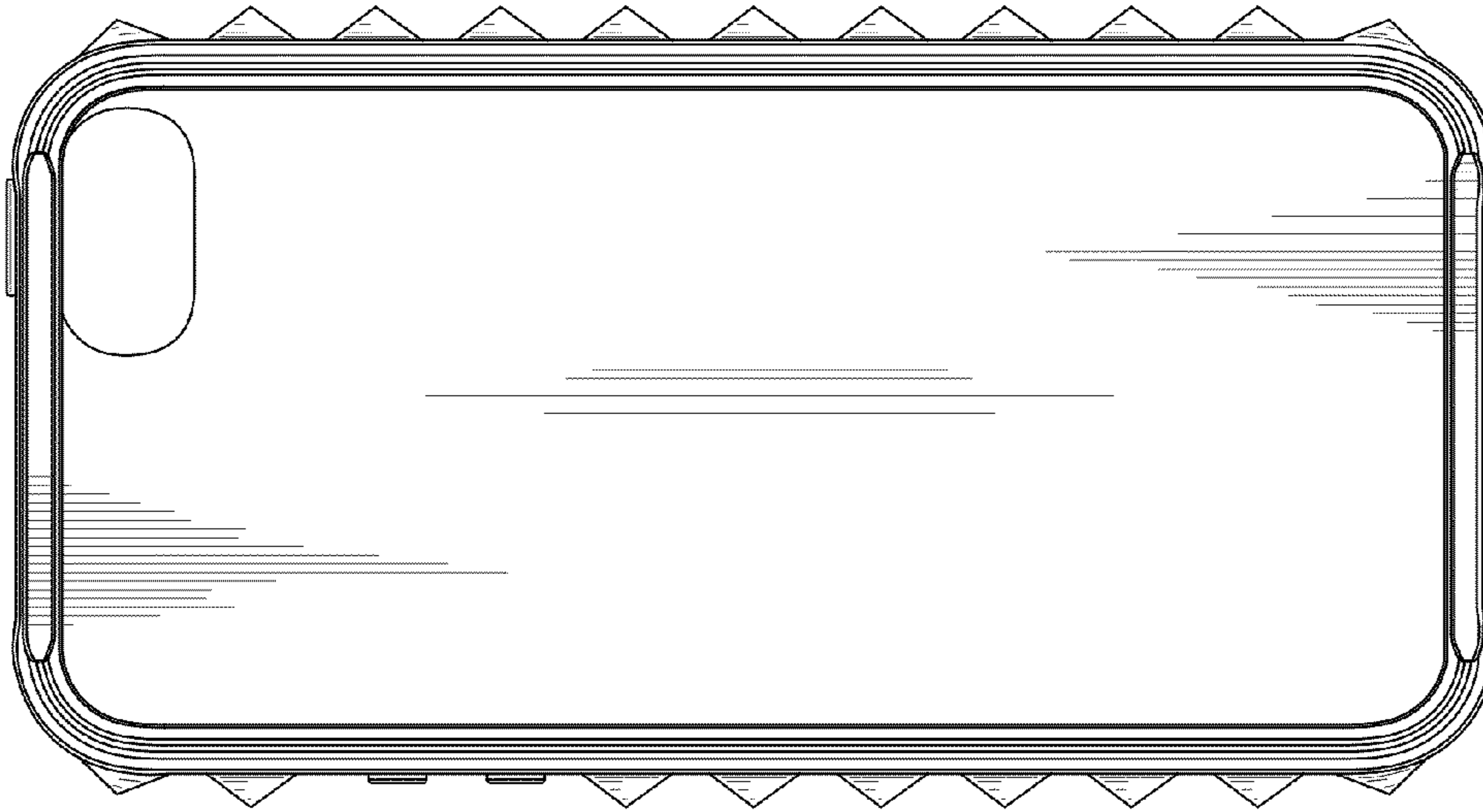


FIG. 3

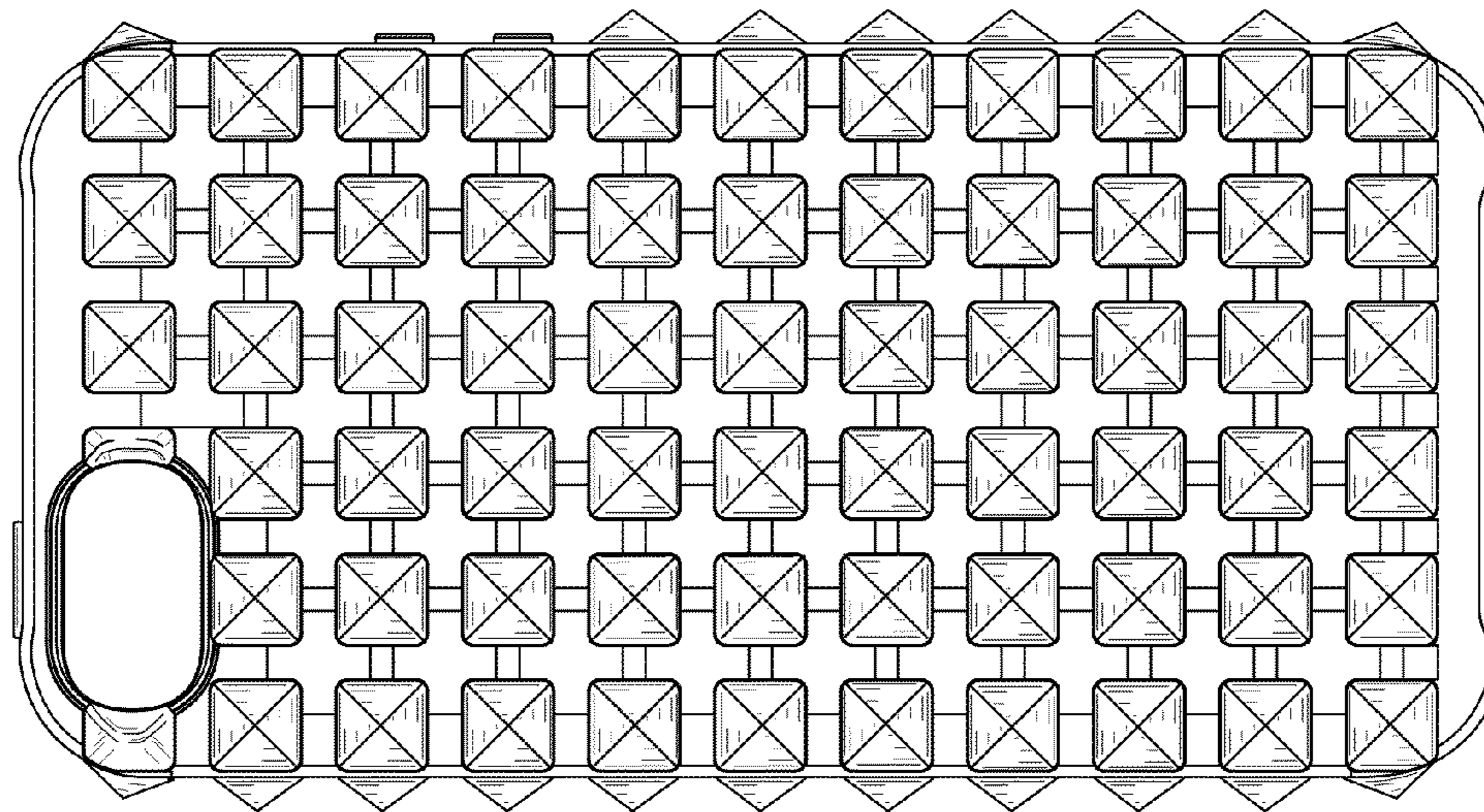


FIG. 2

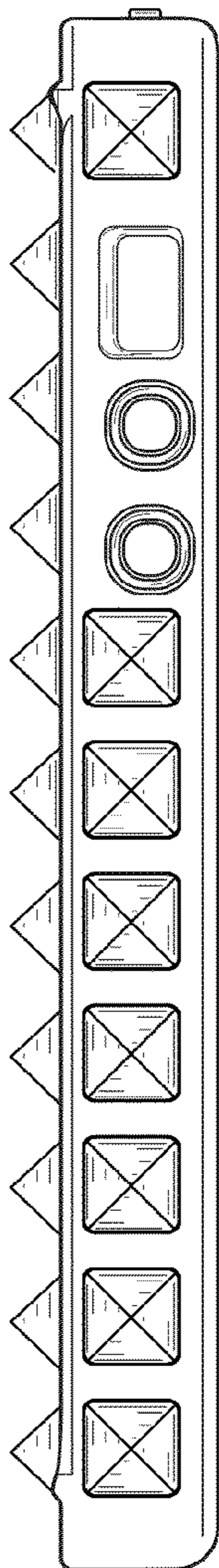


FIG. 4

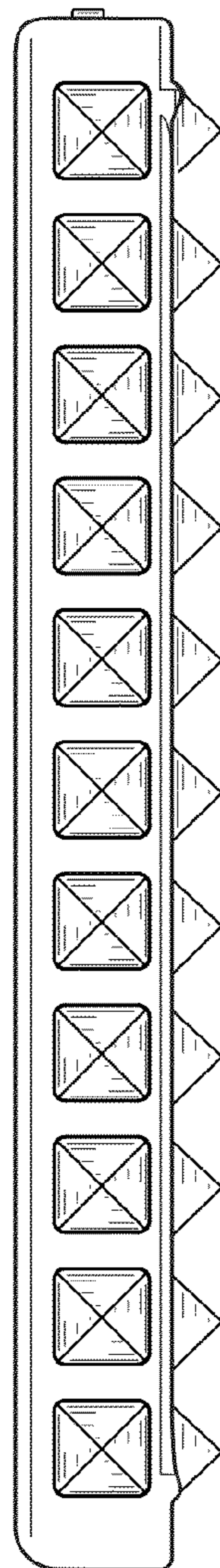


FIG. 5

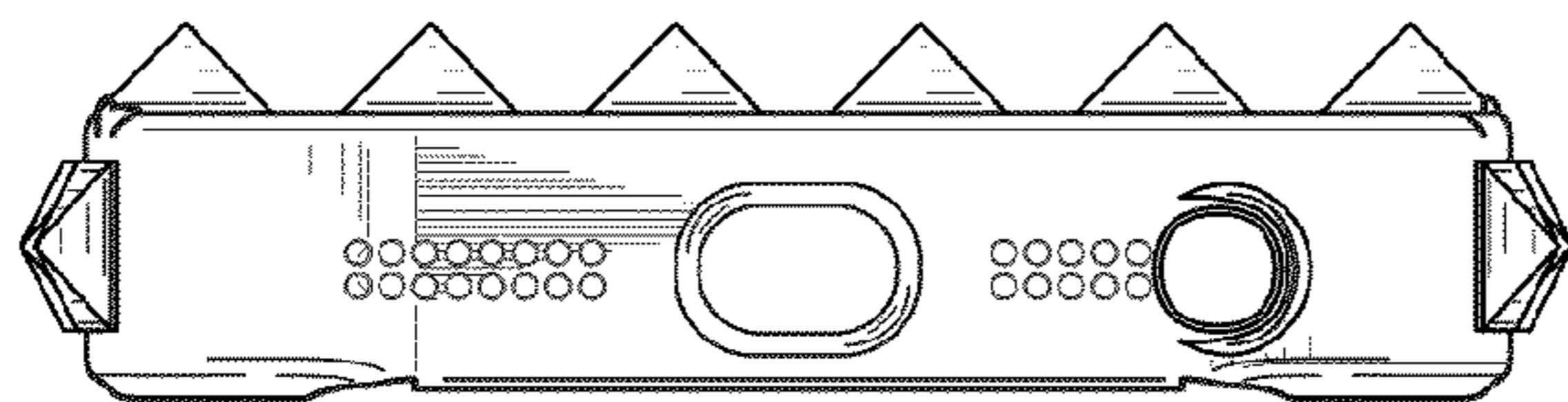
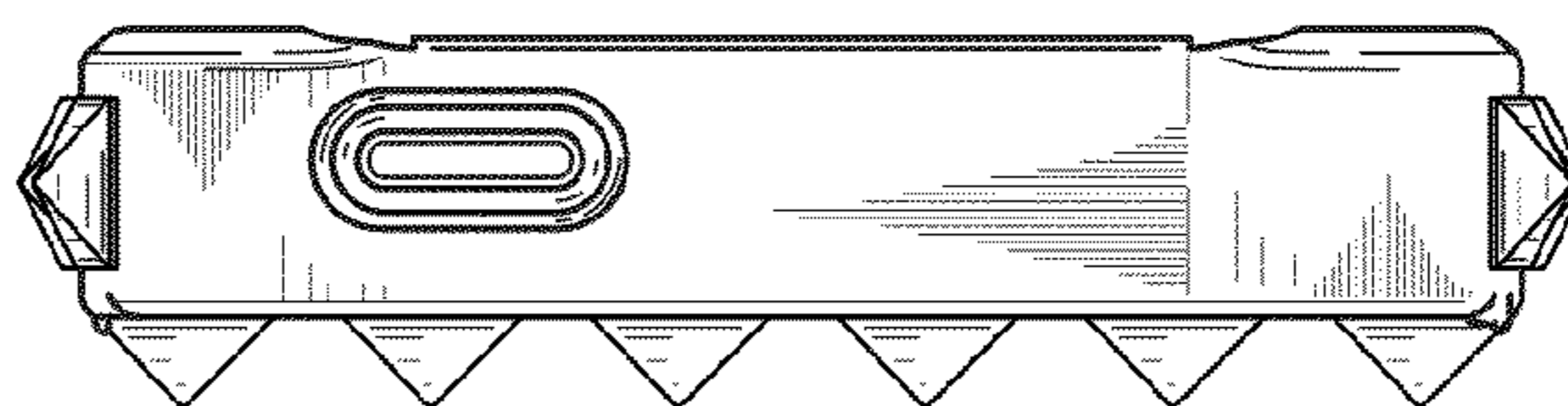


FIG. 6

FIG. 7



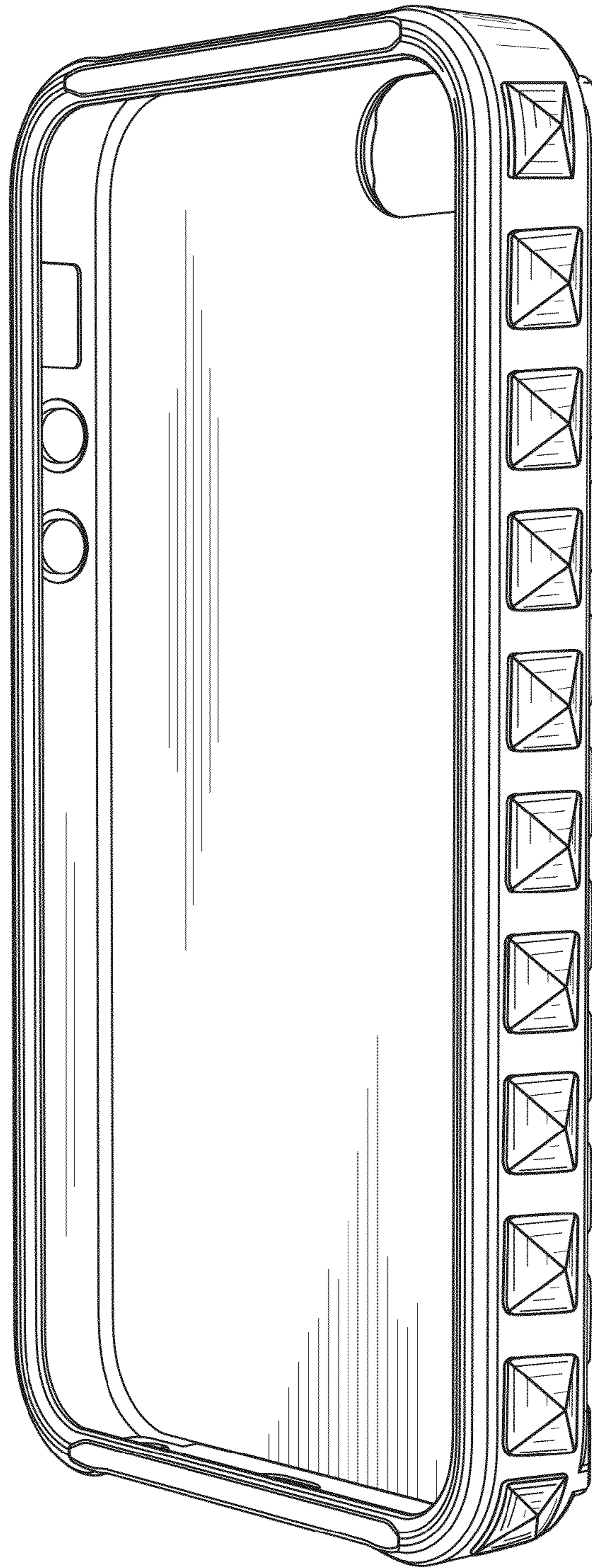


FIG. 8