



US00D727882S

(12) **United States Design Patent**  
**Jeon et al.**

(10) **Patent No.:** **US D727,882 S**

(45) **Date of Patent:** **\*\* Apr. 28, 2015**

(54) **TELEPHONE RECEIVER**

(71) Applicant: **Samsung Electronics Co., Ltd.**,  
Suwon-si, Gyeonggi-do (KR)  
(72) Inventors: **So-Yoon Jeon**, Guri-si (KR); **Eun-Ae Shally Lee**, Seoul (KR); **Bum-Ho Chun**, Seoul (KR)

(73) Assignee: **Samsung Electronics Co., Ltd.** (KR)

(\*\*) Term: **14 Years**

(21) Appl. No.: **29/479,289**

(22) Filed: **Jan. 14, 2014**

(30) **Foreign Application Priority Data**

Jul. 19, 2013 (KR) ..... 30-2013-0037425

(51) **LOC (10) Cl.** ..... **14-03**

(52) **U.S. Cl.**  
USPC ..... **D14/248**

(58) **Field of Classification Search**  
CPC ..... H04R 2499/11; H04R 1/2811; H04R 1/00  
USPC ... D14/138 A, 138 R, 138 AD, 138 AC, 496,  
D14/248, 218, 439, 434, 250, 191, 138 C,  
D14/138 AA, 138 AB, 203.1–203.8, 238.1,  
D14/247, 137, 341–347, 440; D18/7;  
D21/517, 333; D10/65, 78, 104.1;  
D13/168, 107–108, 119; 455/575.1,  
455/556.2, 575.3, 575.4; 361/679.3,  
361/679.56; 379/433.01, 433.04

See application file for complete search history.

(56) **References Cited**

U.S. PATENT DOCUMENTS

D297,009 S *	8/1988	Grambush et al. ....	D14/138 R
D298,317 S *	11/1988	Watanabe .....	D14/138 R
D316,857 S *	5/1991	Park .....	D14/138 R
D330,023 S *	10/1992	Kikuchi et al. ....	D14/138 G
D354,055 S *	1/1995	Nagele et al. ....	D14/138 R
D359,735 S *	6/1995	Lindeman .....	D14/147
D375,736 S *	11/1996	Nuttall et al. ....	D14/147
D375,738 S *	11/1996	Nuttall et al. ....	D14/147
D377,792 S *	2/1997	Lindeman .....	D14/148
D390,844 S *	2/1998	Tung .....	D14/148
D415,756 S *	10/1999	Delhaes .....	D14/151
D643,398 S *	8/2011	Zakarias et al. ....	D14/148
D672,326 S *	12/2012	Mazzeo .....	D14/138 R

\* cited by examiner

*Primary Examiner* — Carla Jobe Wright

*Assistant Examiner* — Holly E Thurman

(74) *Attorney, Agent, or Firm* — Cantor Colburn LLP

(57) **CLAIM**

We claim, the ornamental design for a telephone receiver, as shown and described.

**DESCRIPTION**

FIG. 1 is a front perspective view of a telephone receiver showing our new design;  
FIG. 2 is a front view thereof;  
FIG. 3 is a rear view thereof;  
FIG. 4 is a side view thereof;  
FIG. 5 is another side view thereof.  
FIG. 6 is a top view thereof;  
FIG. 7 is a bottom view thereof; and,  
FIG. 8 is a rear perspective view thereof.  
The broken lines illustrating portions of the telephone receiver are for environmental purposes only and form no part of the claimed design.

**1 Claim, 5 Drawing Sheets**

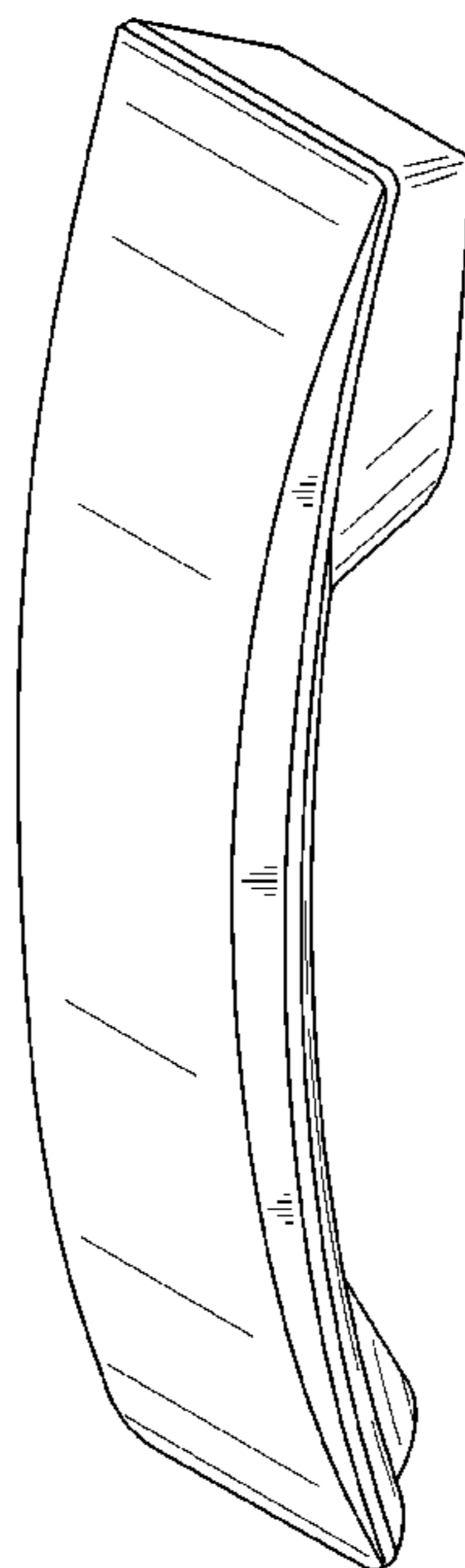


FIG. 1

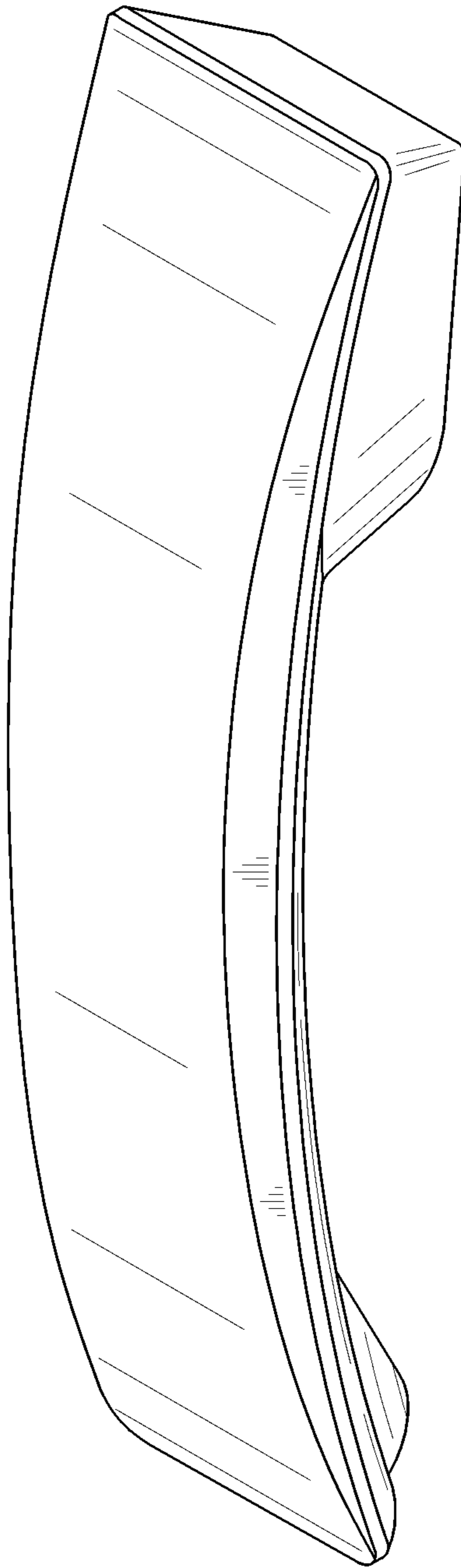


FIG.2

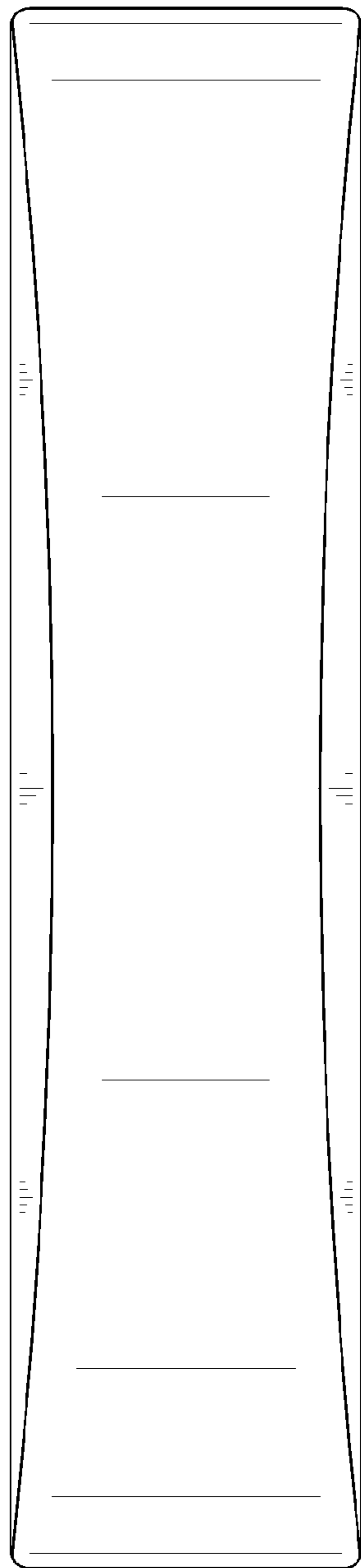


FIG.3

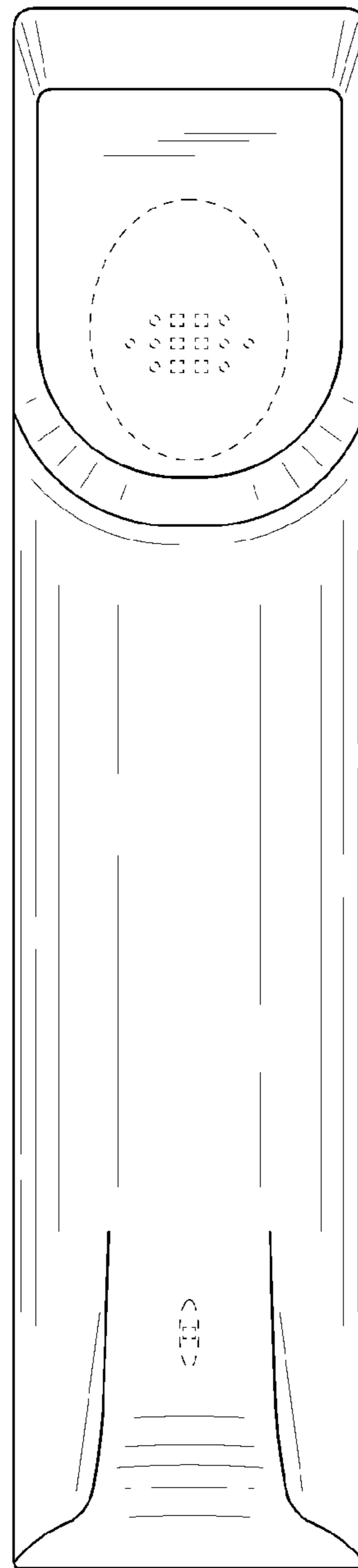


FIG.4

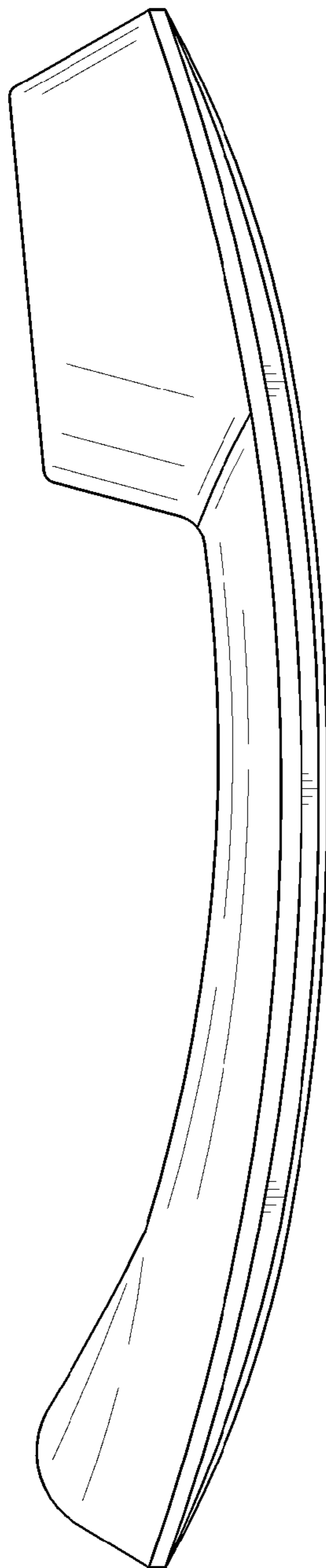


FIG.5

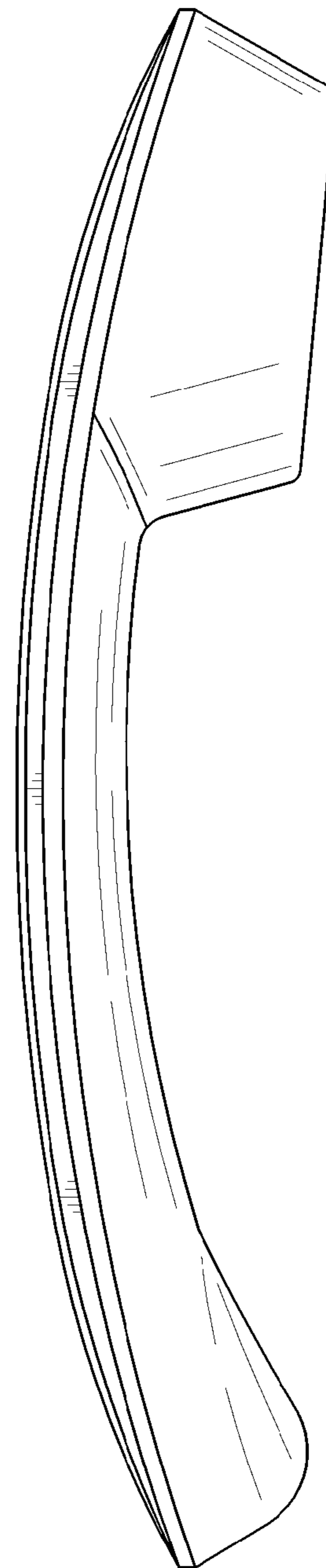


FIG.6

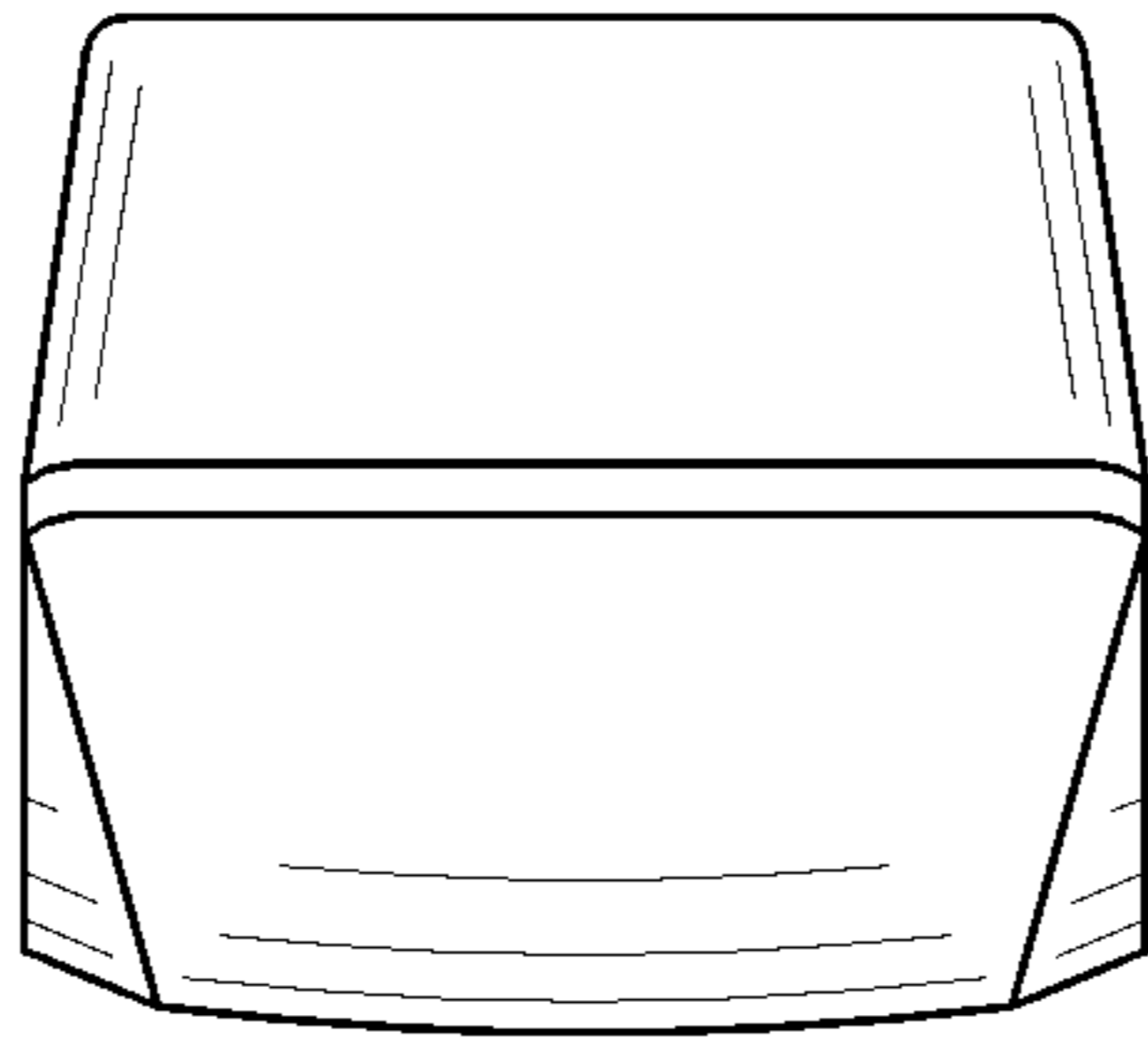


FIG.7

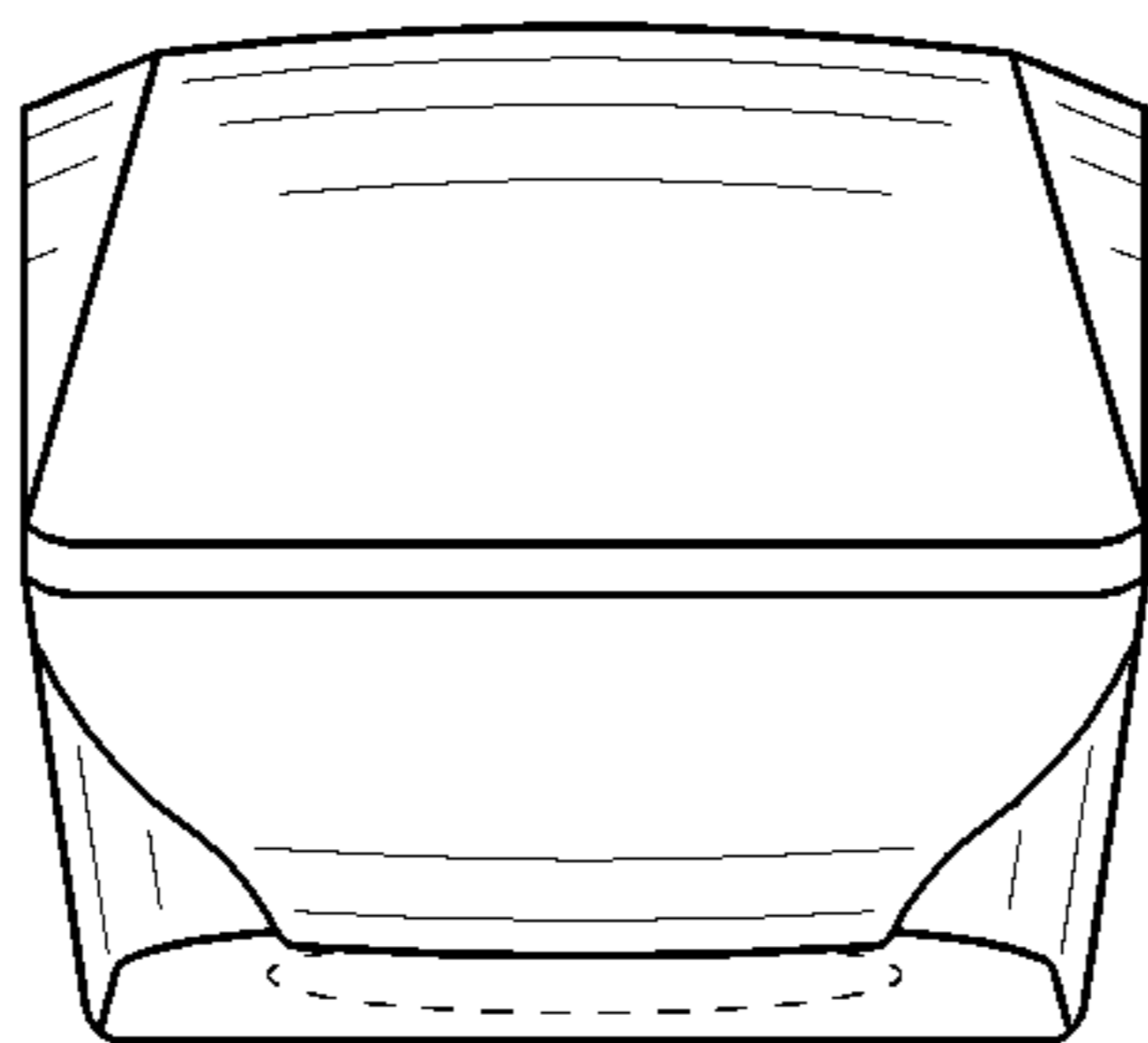


FIG.8

