



US00D727877S

(12) **United States Design Patent**
Seoc

(10) **Patent No.:** **US D727,877 S**

(45) **Date of Patent:** **** Apr. 28, 2015**

(54) **DOCKING SPEAKER**

(71) Applicant: **Ho-Young Seoc**, Yongin (KR)

(72) Inventor: **Ho-Young Seoc**, Yongin (KR)

(73) Assignee: **Samsung Electronics Co., Ltd.**,
Suwon-si, Gyeonggi-do (KR)

(**) Term: **14 Years**

(21) Appl. No.: **29/450,856**

(22) Filed: **Mar. 25, 2013**

(30) **Foreign Application Priority Data**

Nov. 23, 2012 (KR) 30-2012-0056046

(51) **LOC (10) Cl.** **14-03**

(52) **U.S. Cl.**
USPC **D14/216; D14/209.1**

(58) **Field of Classification Search**
USPC D14/167, 168, 170–172, 188, 194–196,
D14/204, 207, 209.1, 210–216, 219, 221,
D14/222, 224, 496, 434, 217, 203.8;
181/143, 144, 147, 148, 150, 153, 157,
181/198, 199; 381/300–303, 306, 332, 333,
381/336, 345, 361–364, 386–388;
369/6–12

See application file for complete search history.

(56) **References Cited**

U.S. PATENT DOCUMENTS

D452,509 S * 12/2001 Allsop D14/458
D553,122 S * 10/2007 Solland D14/217
D594,404 S * 6/2009 Kuo et al. D13/107
D628,203 S * 11/2010 Noble D14/447
D662,939 S * 7/2012 Akana et al. D14/447
D687,809 S * 8/2013 Bergmann et al. D14/209.1
D693,814 S * 11/2013 Park D14/434

D695,701 S * 12/2013 Lee et al. D14/126
D697,051 S * 1/2014 Adams et al. D14/209.1
D703,237 S * 4/2014 Choi et al. D14/502

* cited by examiner

Primary Examiner — Keli L Hill

(74) *Attorney, Agent, or Firm* — Flynn, Thiel, Boutell &
Tanis, P.C.

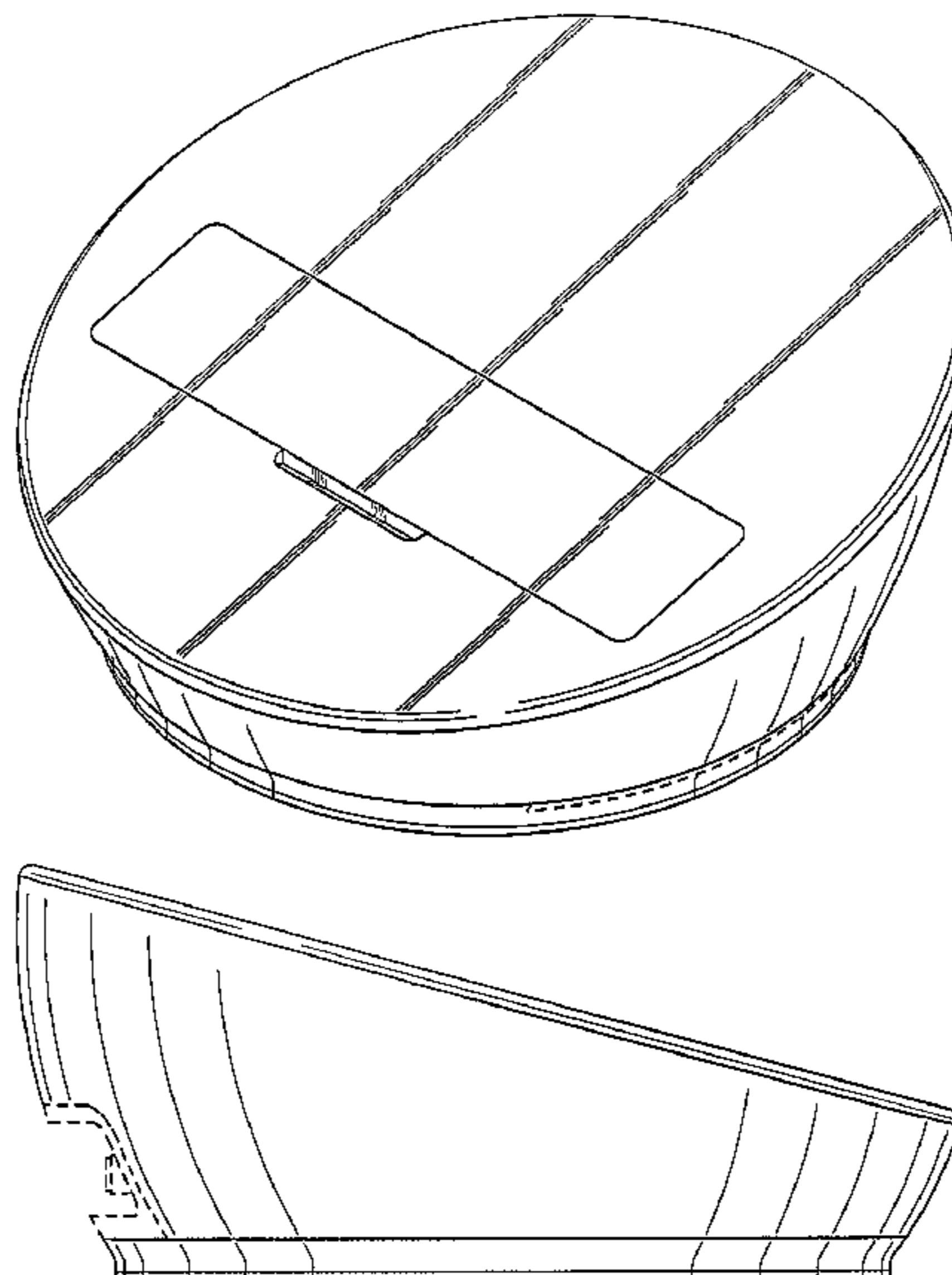
(57) **CLAIM**

The ornamental design for a docking speaker, as shown and described.

DESCRIPTION

FIG. 1 is a top front perspective view of a docking speaker showing my new design;
FIG. 2 is a front elevational view thereof;
FIG. 3 is a rear elevational view thereof;
FIG. 4 is a left side elevational view thereof;
FIG. 5 is a right side elevational view thereof;
FIG. 6 is a top plan view thereof;
FIG. 7 is a bottom plan view thereof;
FIG. 8 is a top front perspective view thereof showing the present docking speaker with its connector exposed;
FIG. 9 is a front elevational view thereof showing the present docking speaker with its connector exposed;
FIG. 10 is a rear elevational view thereof showing the present docking speaker with its connector exposed;
FIG. 11 is a left side elevational view thereof showing the present docking speaker with its connector exposed;
FIG. 12 is a right side elevational view thereof showing the present docking speaker with its connector exposed;
FIG. 13 is a top plan view thereof showing the present docking speaker with its connector exposed; and,
FIG. 14 is a bottom plan view thereof showing the present docking speaker with its connector exposed.
The broken lines depict environmental subject matter only and form no part of the claimed design.

1 Claim, 10 Drawing Sheets



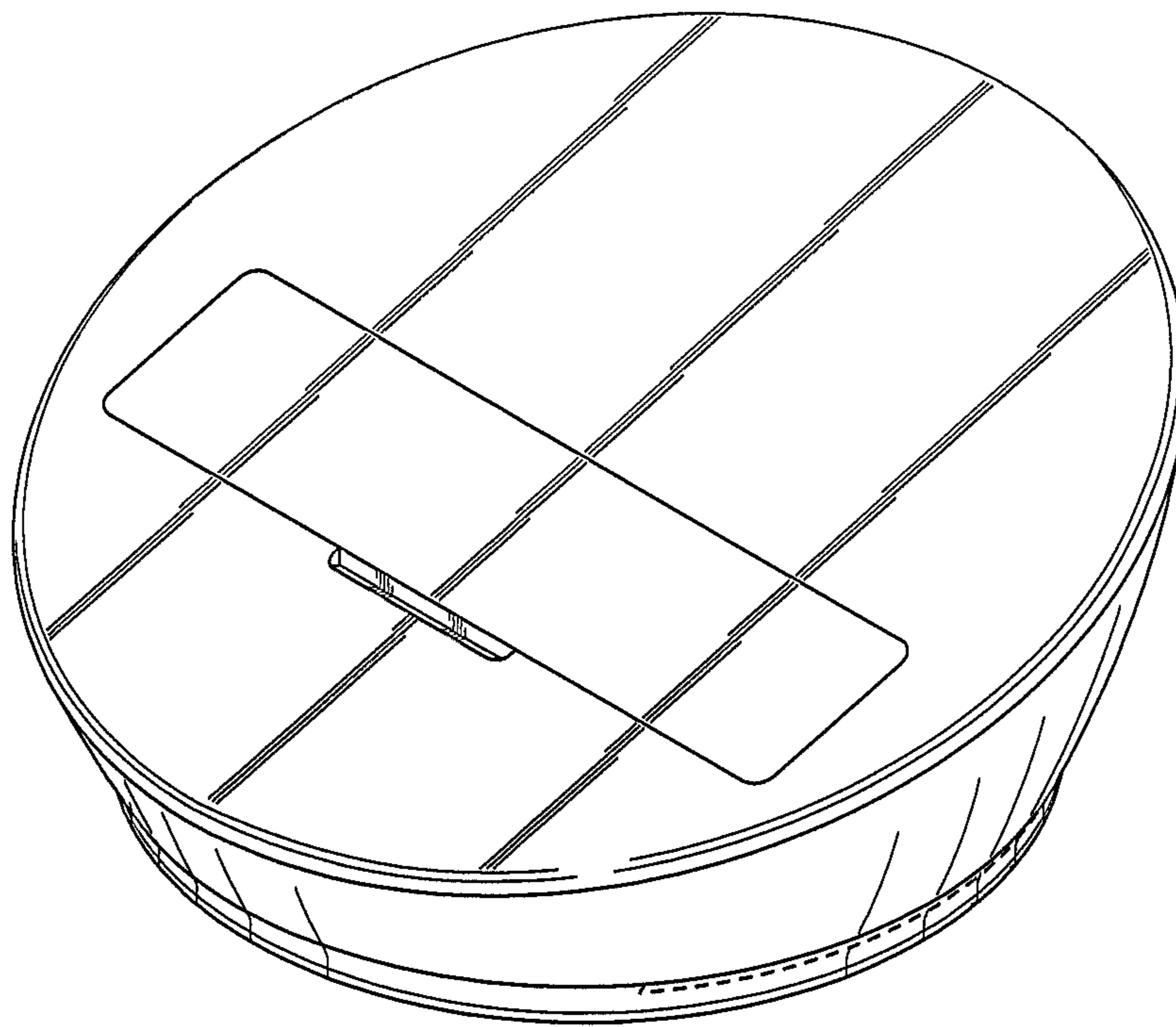


FIG. 1

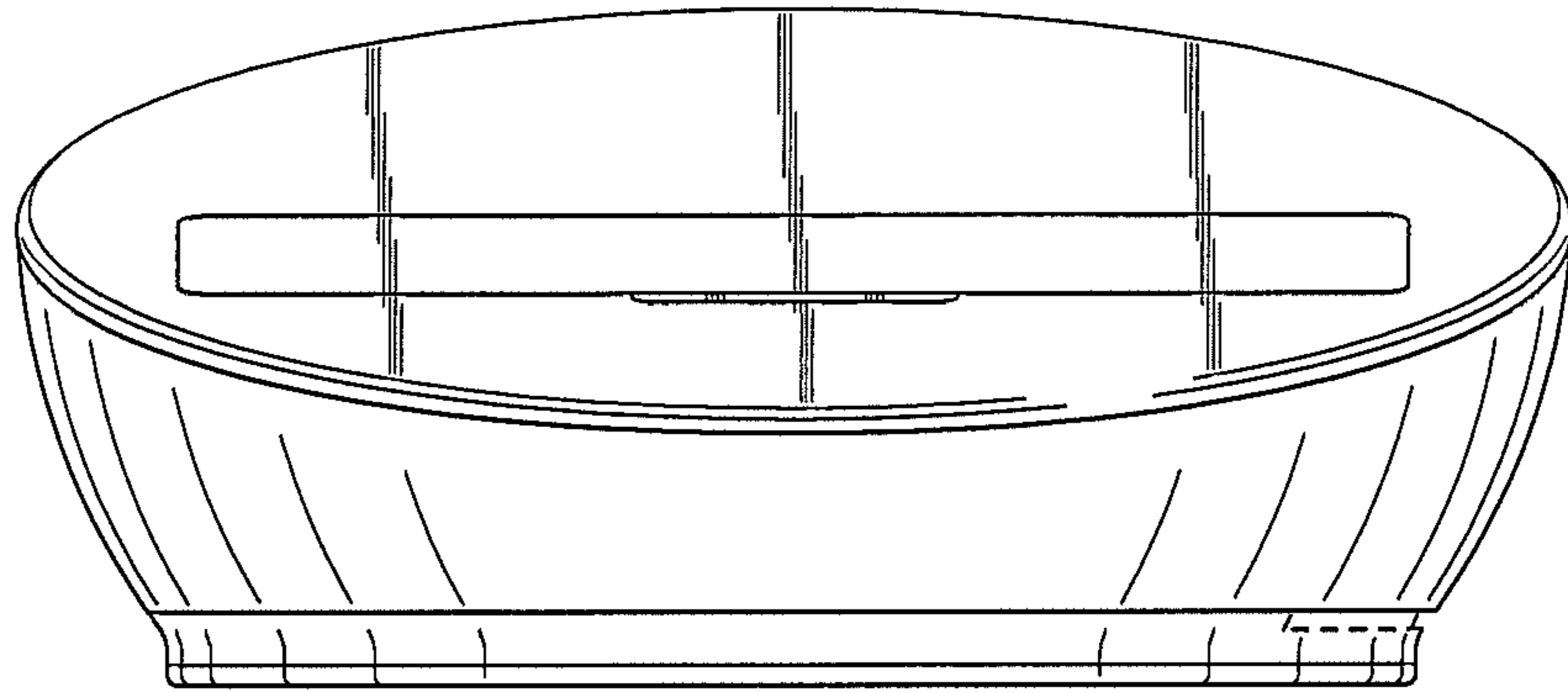


FIG. 2

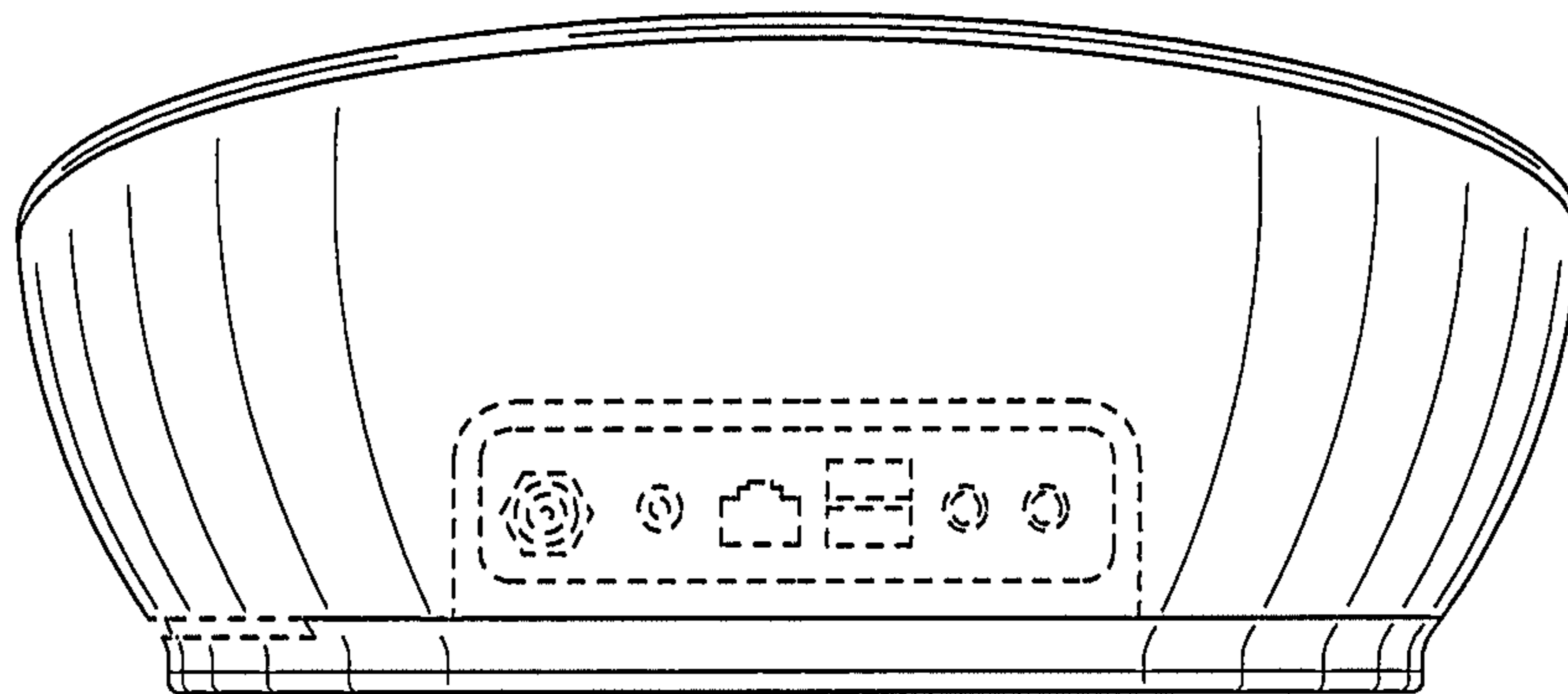


FIG. 3

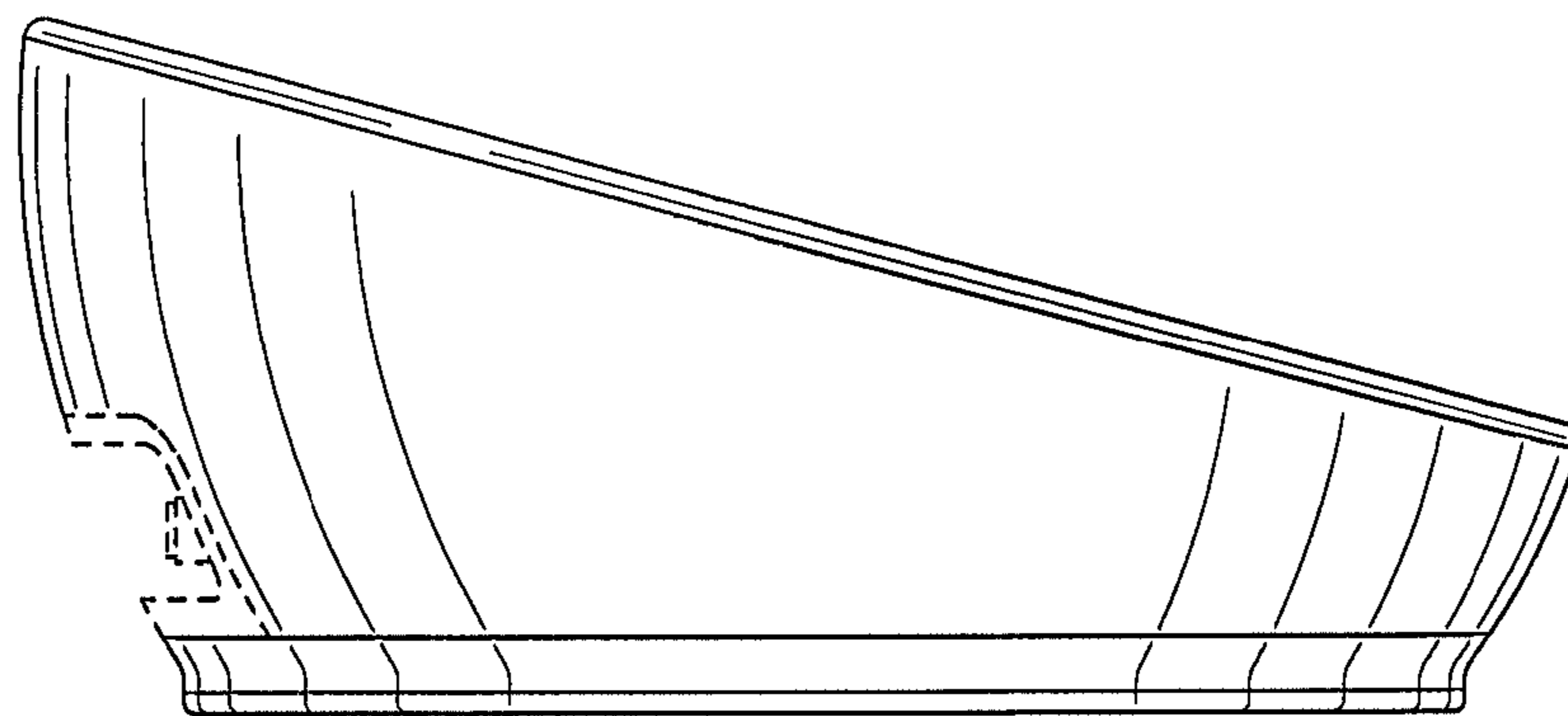


FIG. 4

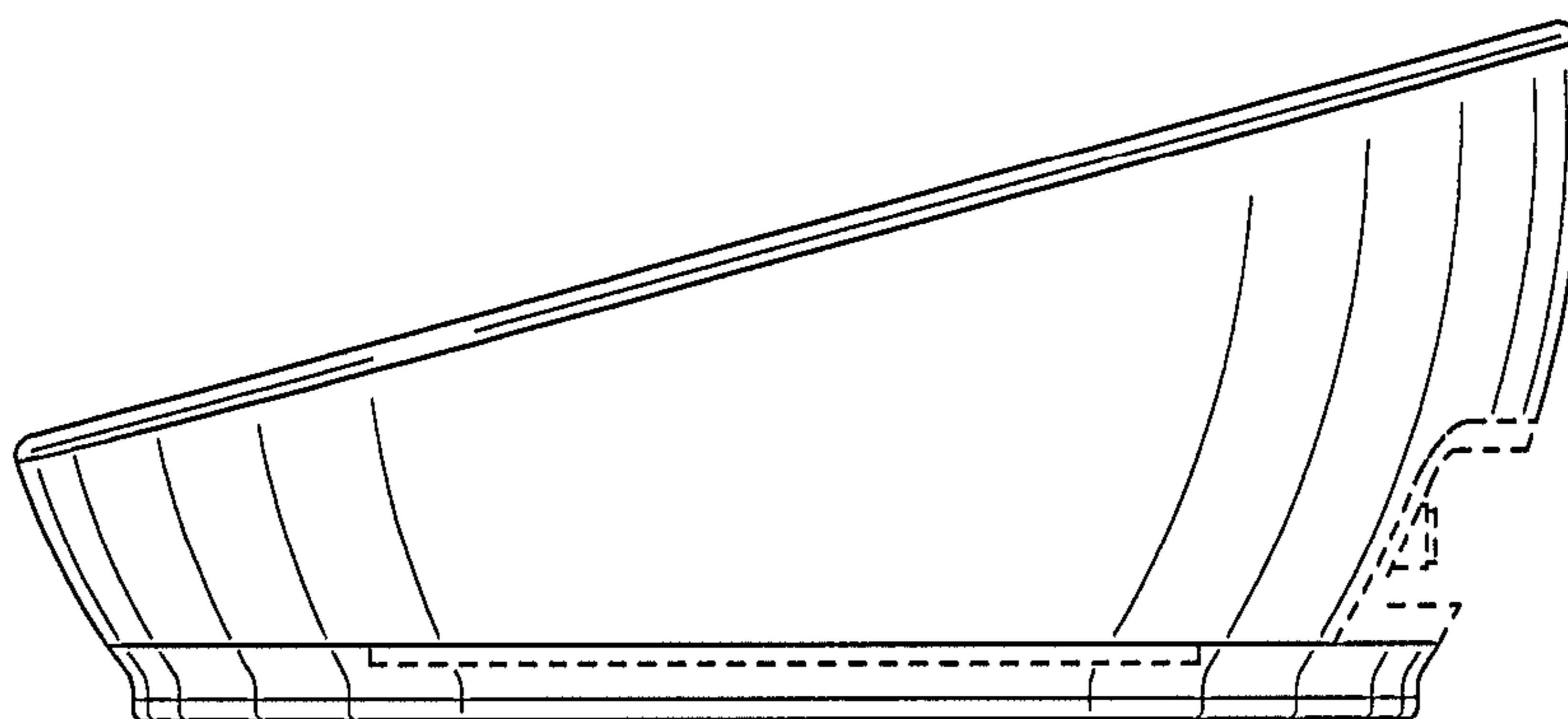


FIG. 5

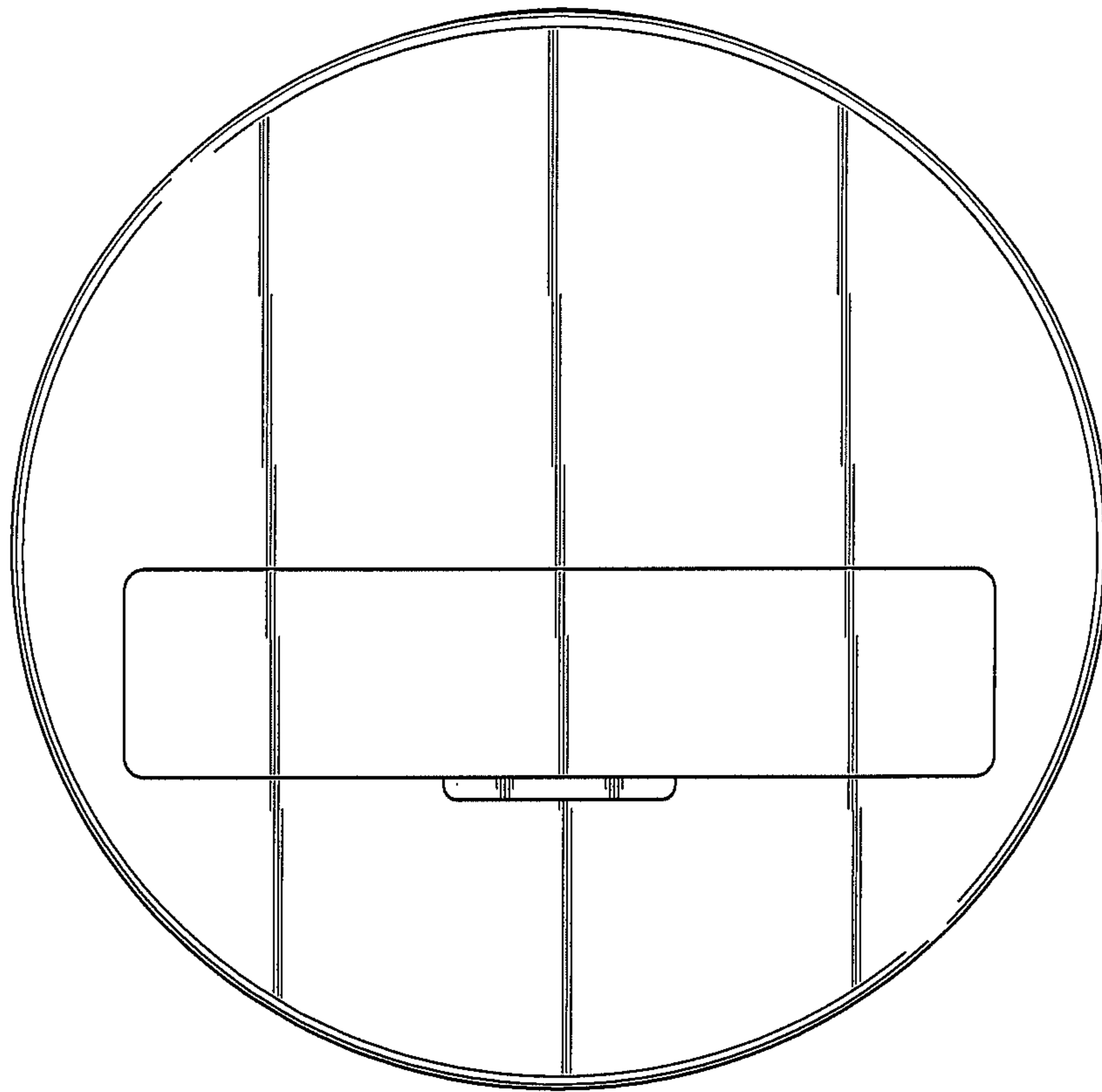


FIG. 6

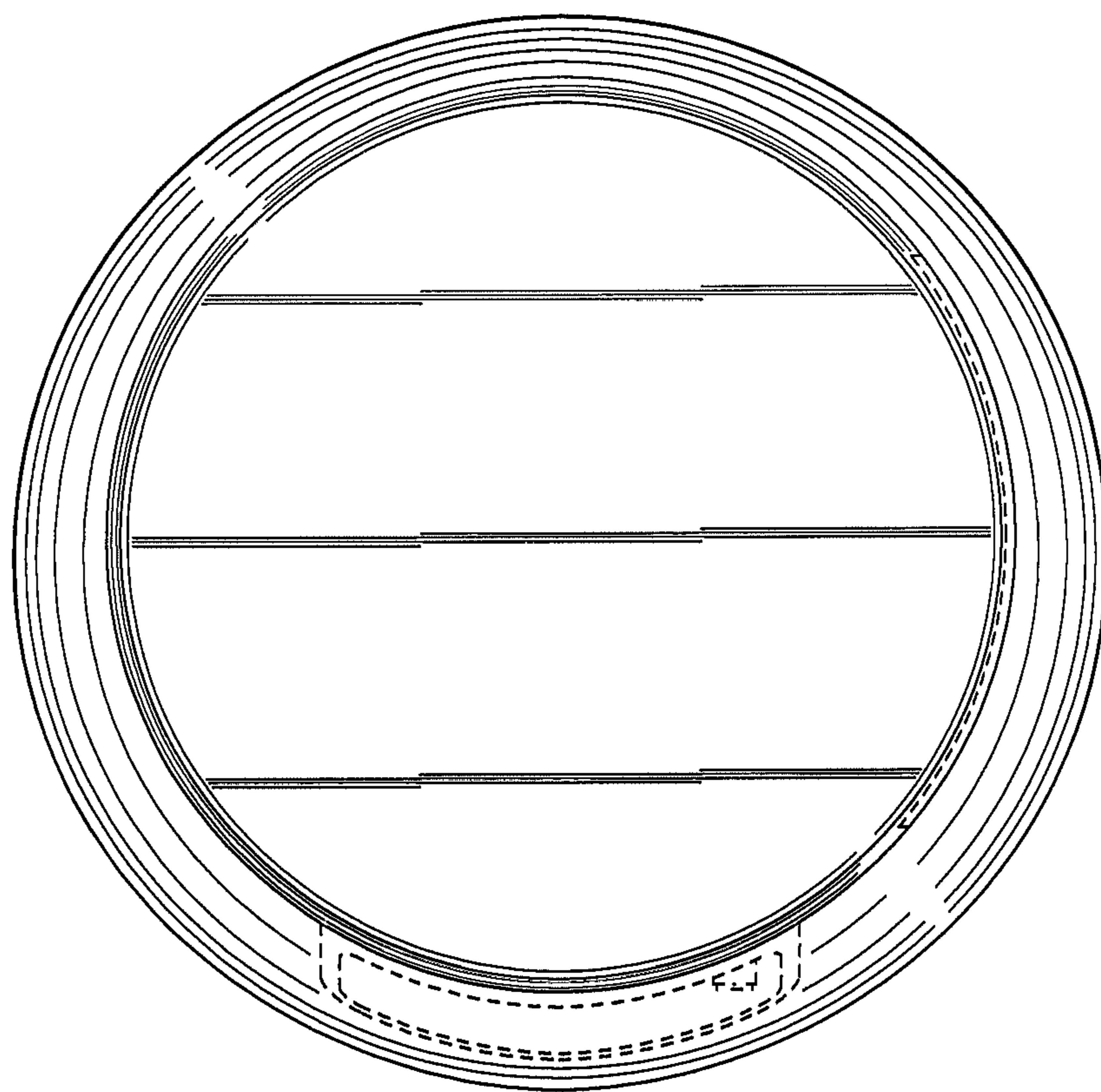


FIG. 7

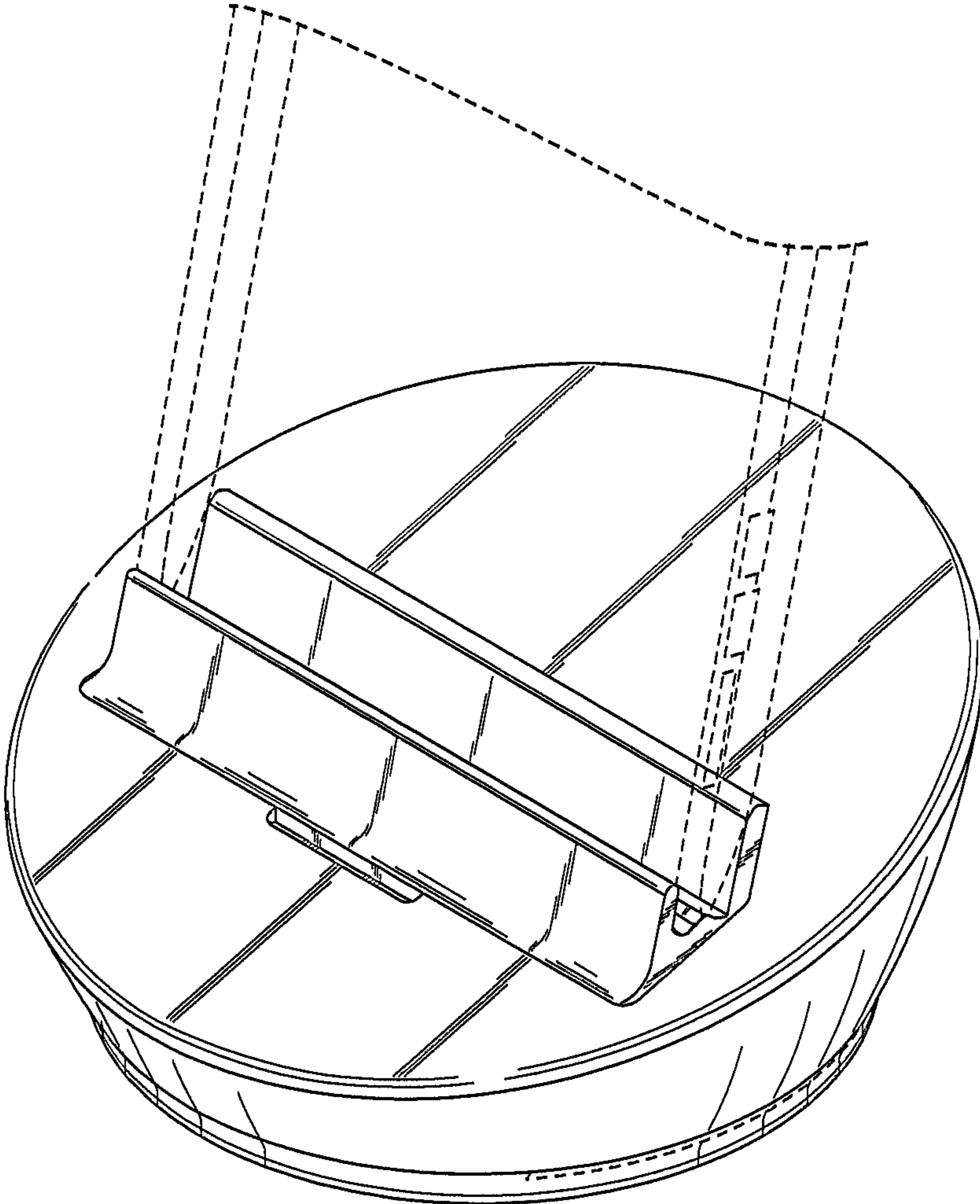


FIG. 8

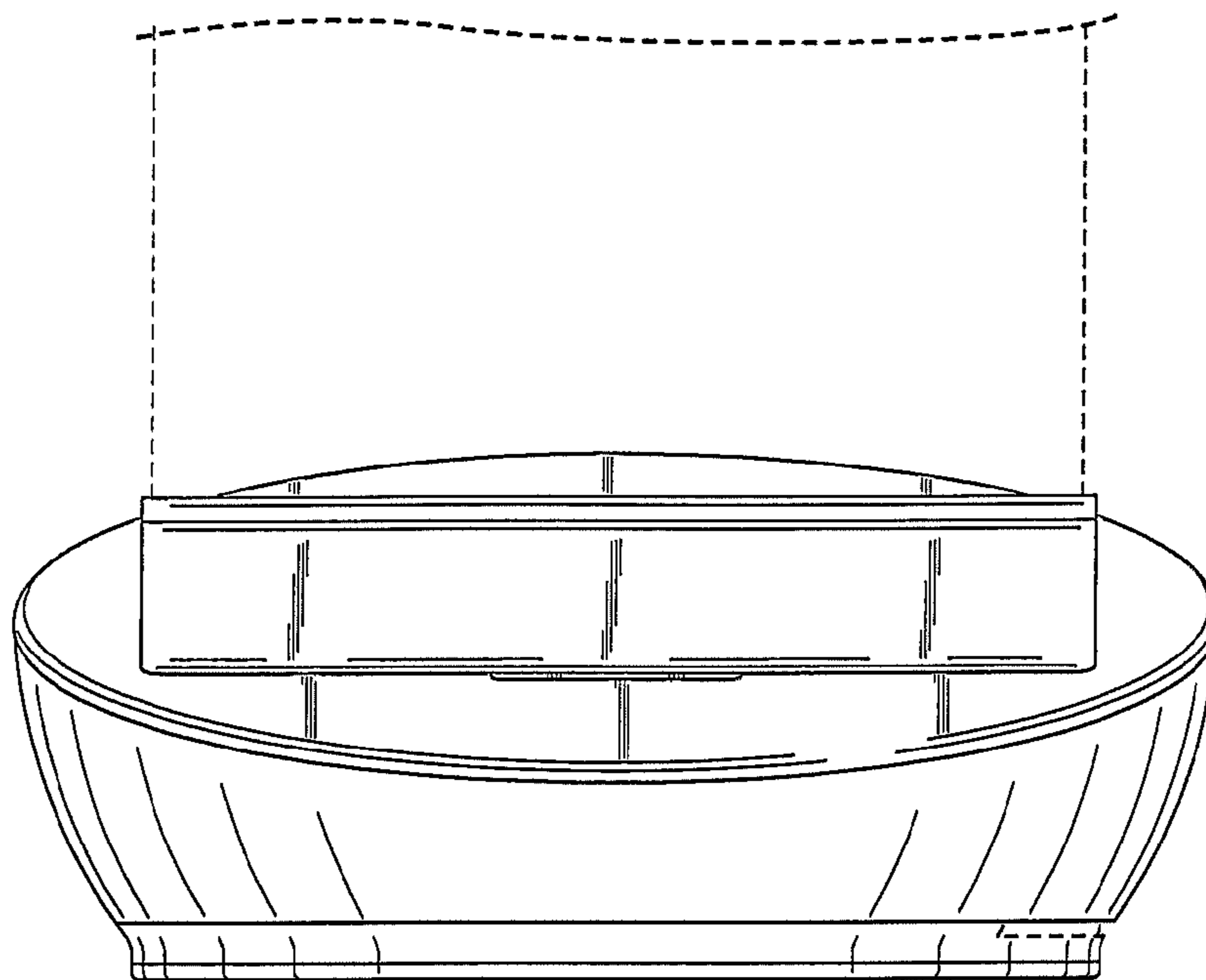


FIG. 9

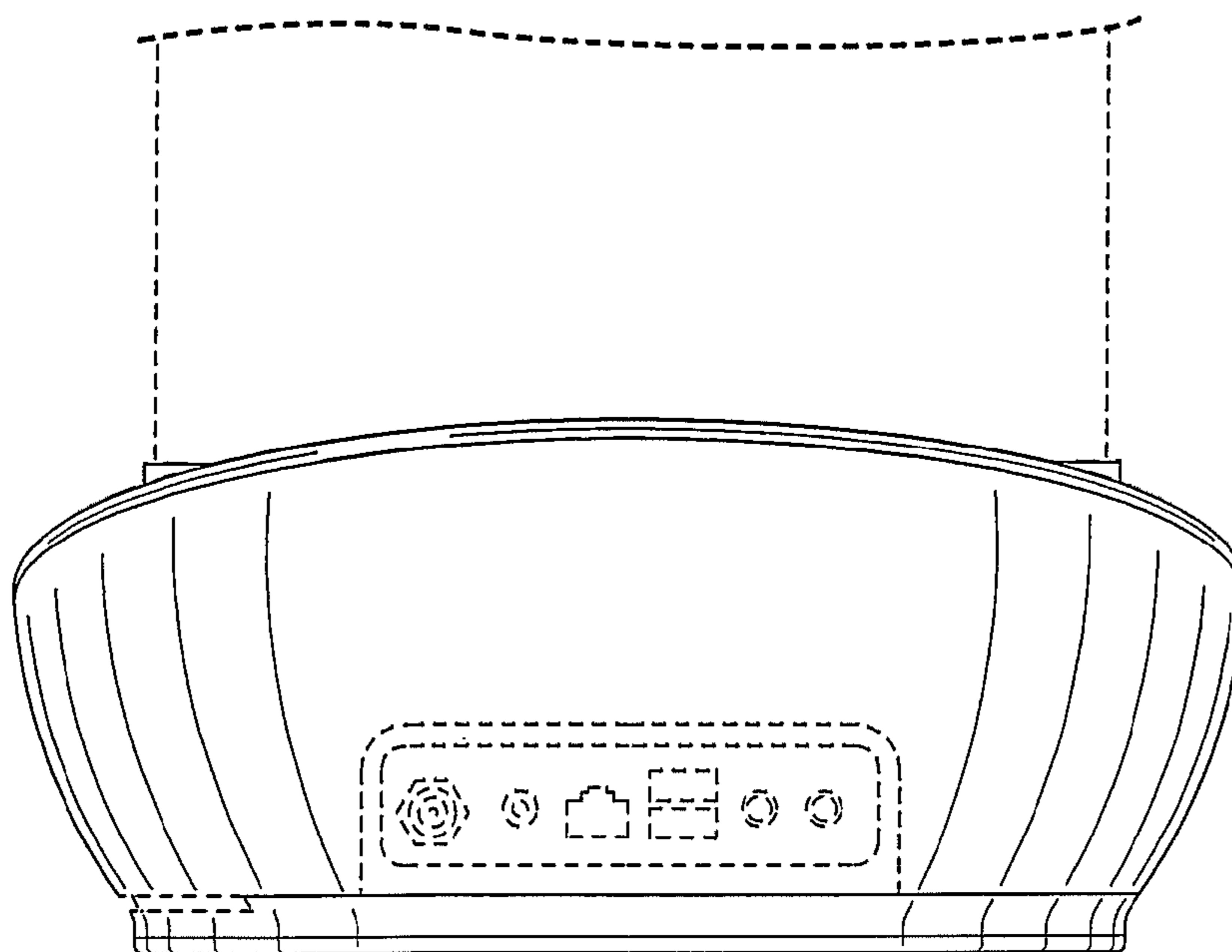


FIG. 10

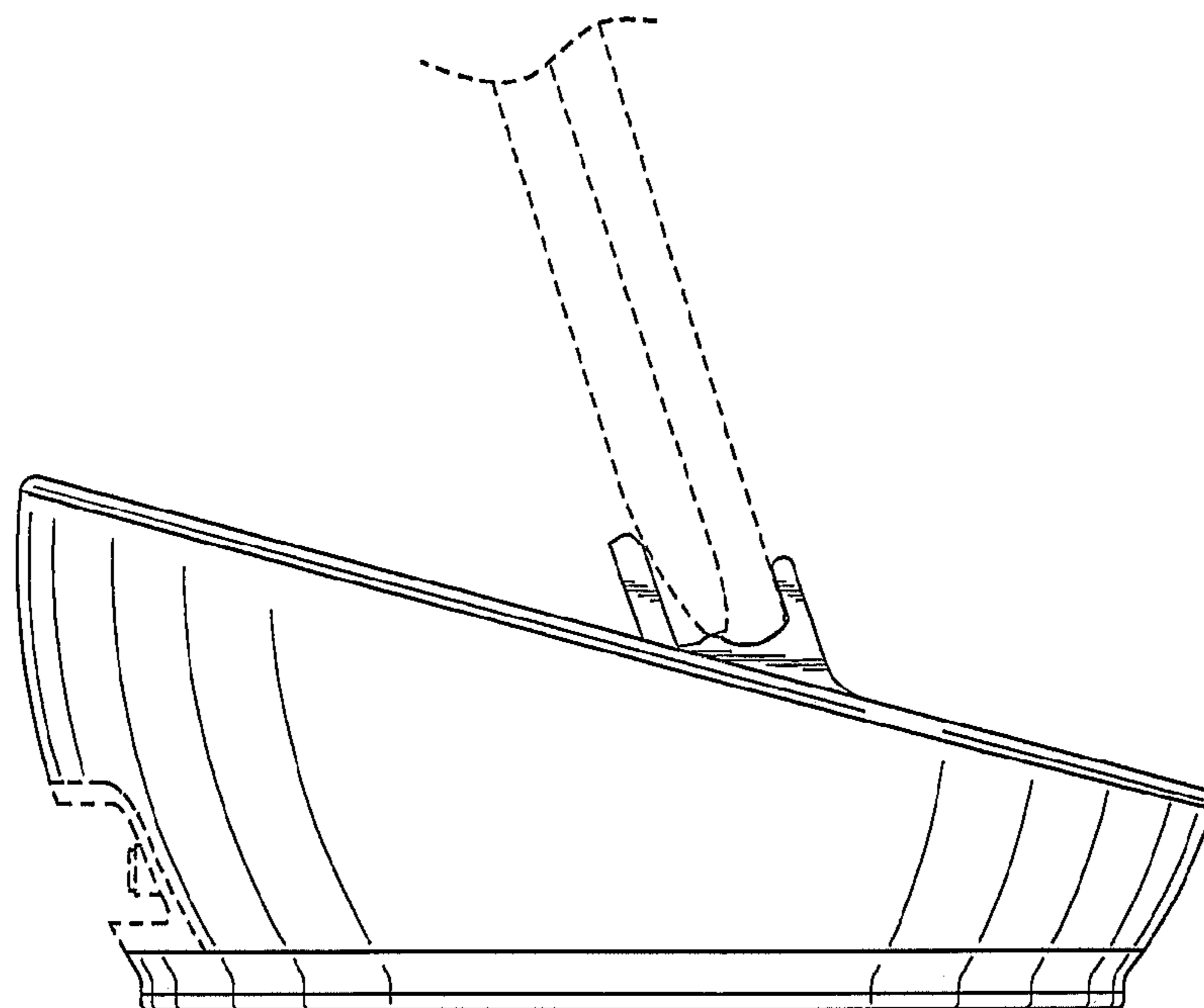


FIG. 11

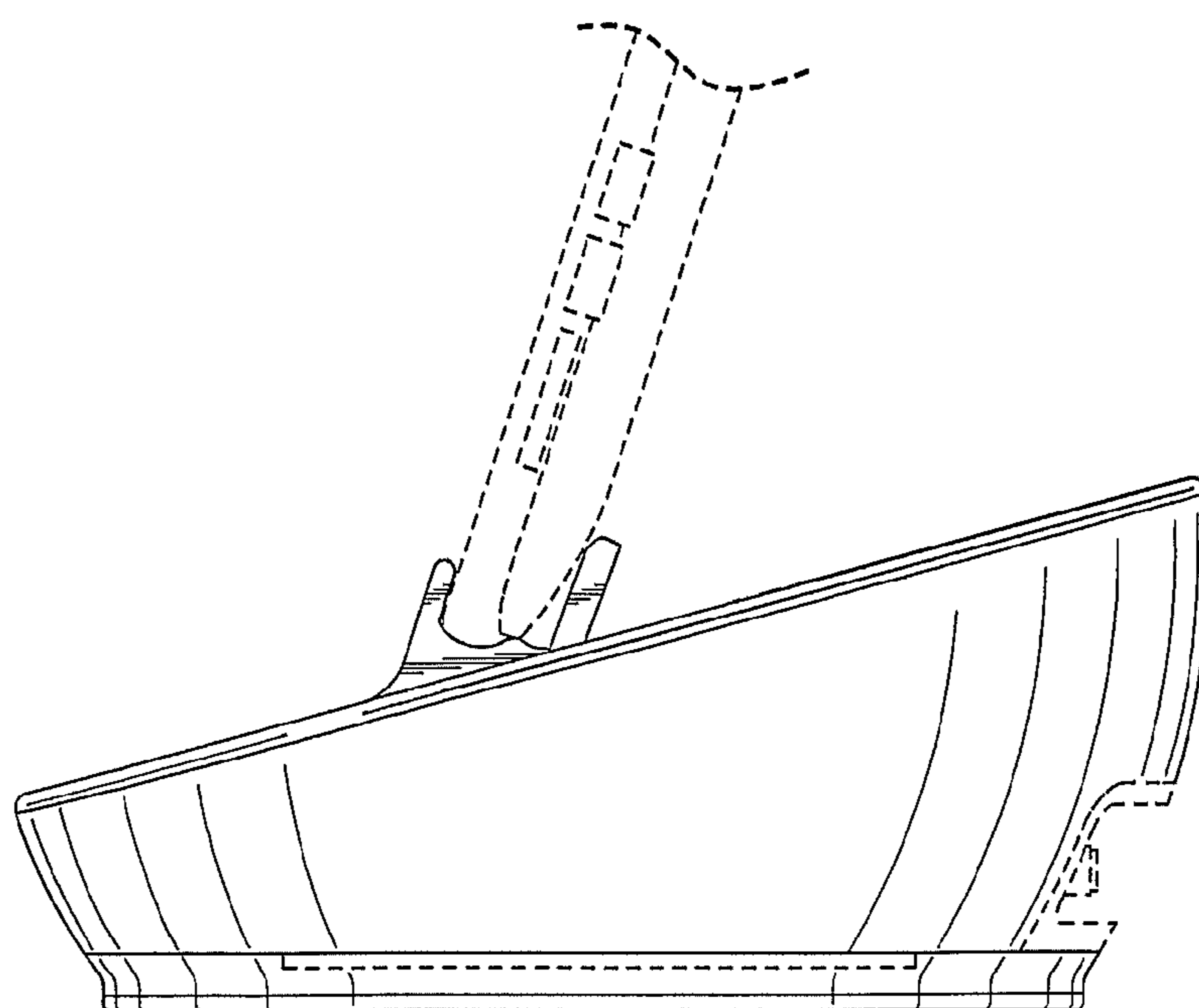


FIG. 12

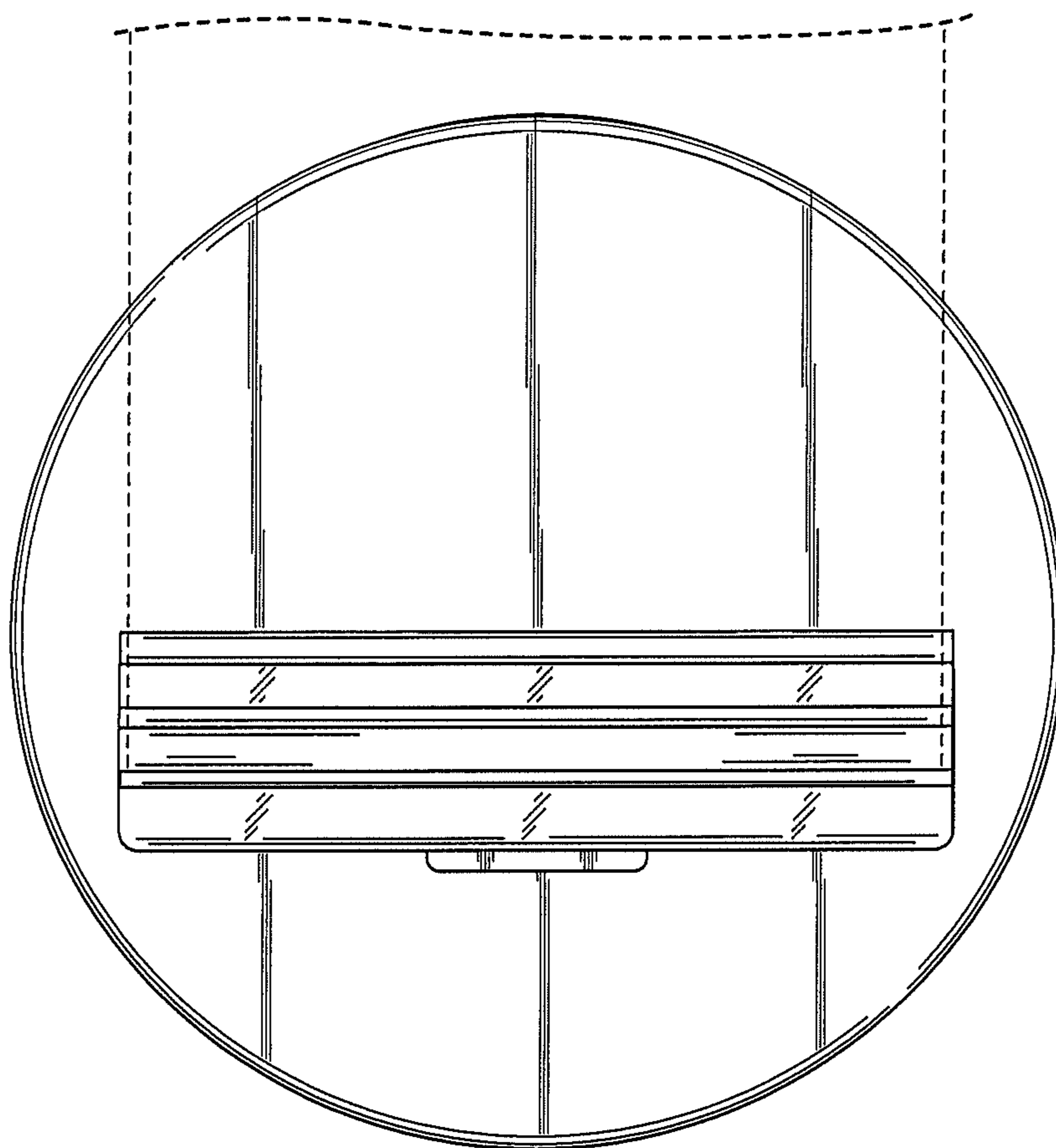


FIG. 13

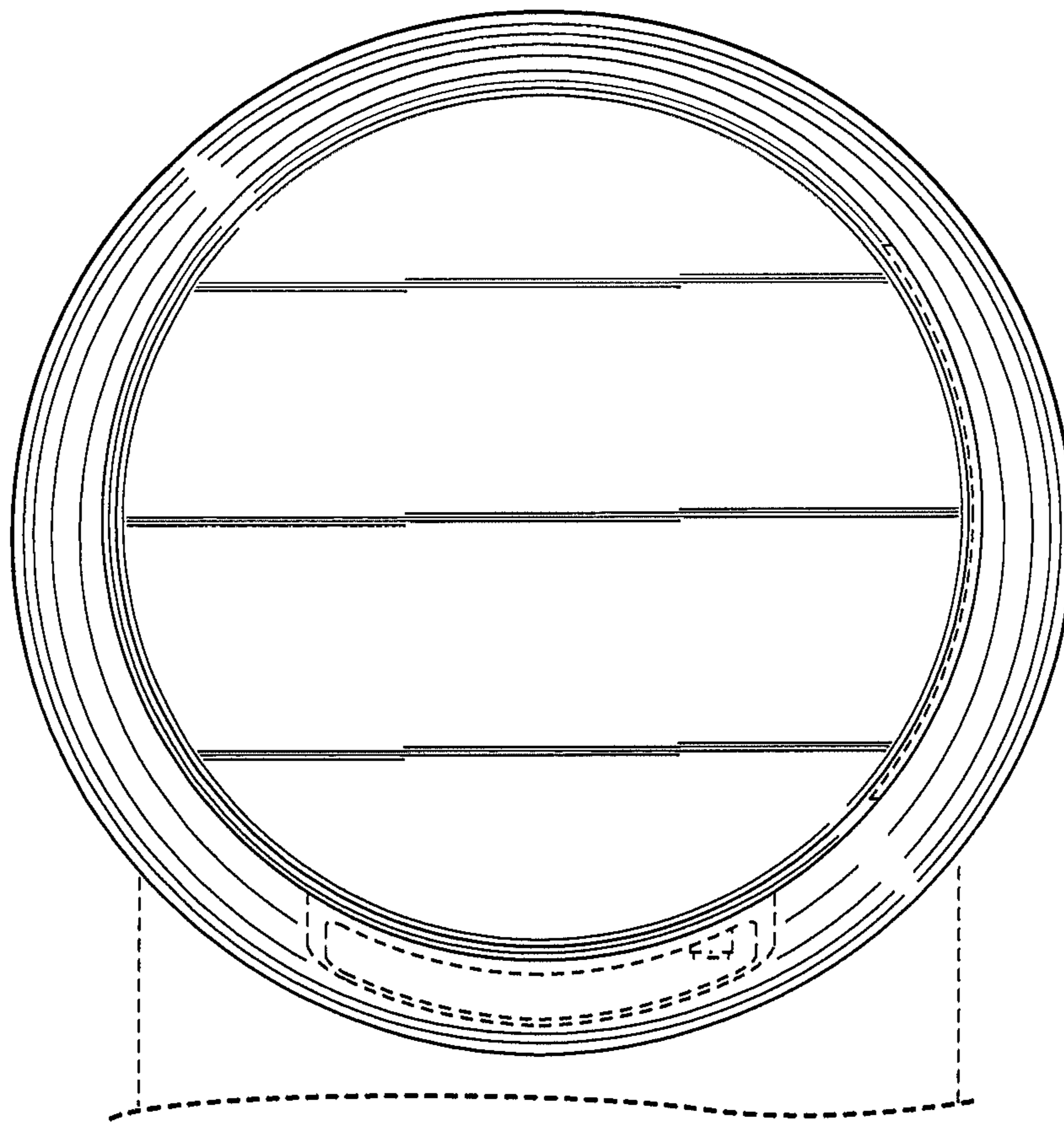


FIG. 14