



US00D727874S

(12) **United States Design Patent**
Christner

(10) **Patent No.:** **US D727,874 S**

(45) **Date of Patent:** **** Apr. 28, 2015**

(54) **SPEAKER BOX**

(75) Inventor: **Matthias Christner**, Ludwigsburg (DE)

(73) Assignee: **d&b Audiotechnik GmbH**, Backnang (DE)

(**) Term: **14 Years**

(21) Appl. No.: **29/427,348**

(22) Filed: **Jul. 17, 2012**

(51) **LOC (10) Cl.** **14-01**

(52) **U.S. Cl.**
USPC **D14/210**

(58) **Field of Classification Search**
USPC D13/103; D14/135, 137, 155, 158, 160,
D14/161, 168, 181, 188, 191, 193-198,
D14/203.6, 204, 209, 209.1, 210, 211, 215,
D14/216, 257, 258, 314, 353, 354, 358, 440,
D14/441, 498, 509; D26/26, 28, 60-62, 72,
D26/73, 93, 94, 97, 118, 124

See application file for complete search history.

(56) **References Cited**

U.S. PATENT DOCUMENTS

D358,818 S * 5/1995 Rozier et al. D14/214
D401,583 S * 11/1998 Shin et al. D14/214
D460,750 S * 7/2002 Matsuoka D14/214

D480,708 S * 10/2003 Bothe D14/214
D637,581 S * 5/2011 Lee et al. D14/214
D655,275 S * 3/2012 Won et al. D14/214
D684,948 S * 6/2013 Burlingame et al. D14/204
2004/0069561 A1* 4/2004 Cox et al. 181/199
2007/0000719 A1* 1/2007 Bothe 181/150

* cited by examiner

Primary Examiner — Stella Reid

Assistant Examiner — Janice Lim

(74) *Attorney, Agent, or Firm* — Baker & Hostetler LLP

(57) **CLAIM**

The ornamental design for a speaker box, as shown and described.

DESCRIPTION

FIG. 1 is a front view of a speaker box, showing my new design;

FIG. 2 is a perspective view of FIG. 1;

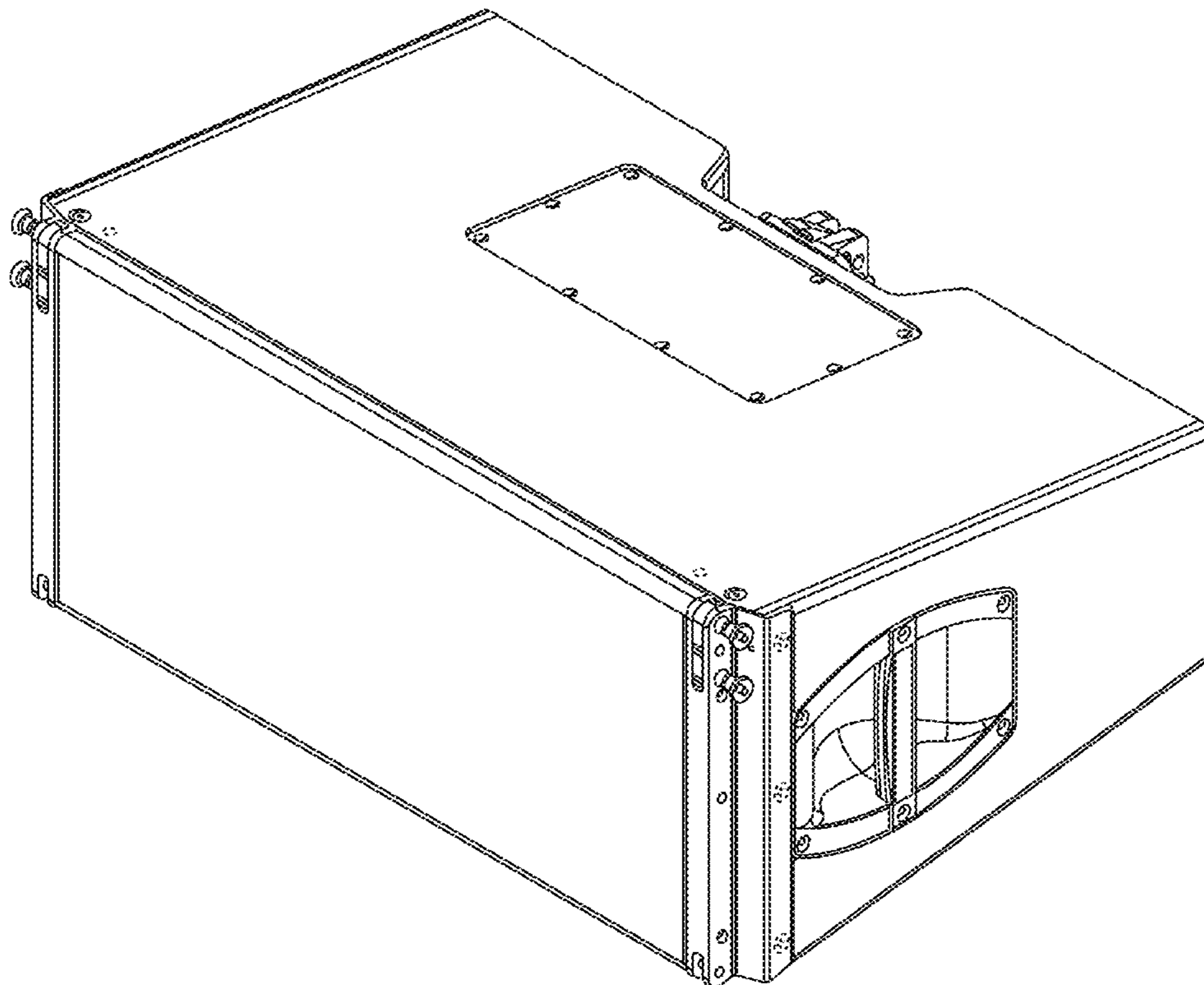
FIG. 3 is a rear side view of FIG. 1;

FIG. 4 is a left side view of FIG. 1, the right side being a mirror image thereof; and,

FIG. 5 is a top view of FIG. 1.

The subject matter shown in dashed lines, and any surfaces of the design not shown, including interior surfaces, form no part of the claimed invention. Moreover, all sides not shown in the application form no part of the claimed design.

1 Claim, 5 Drawing Sheets



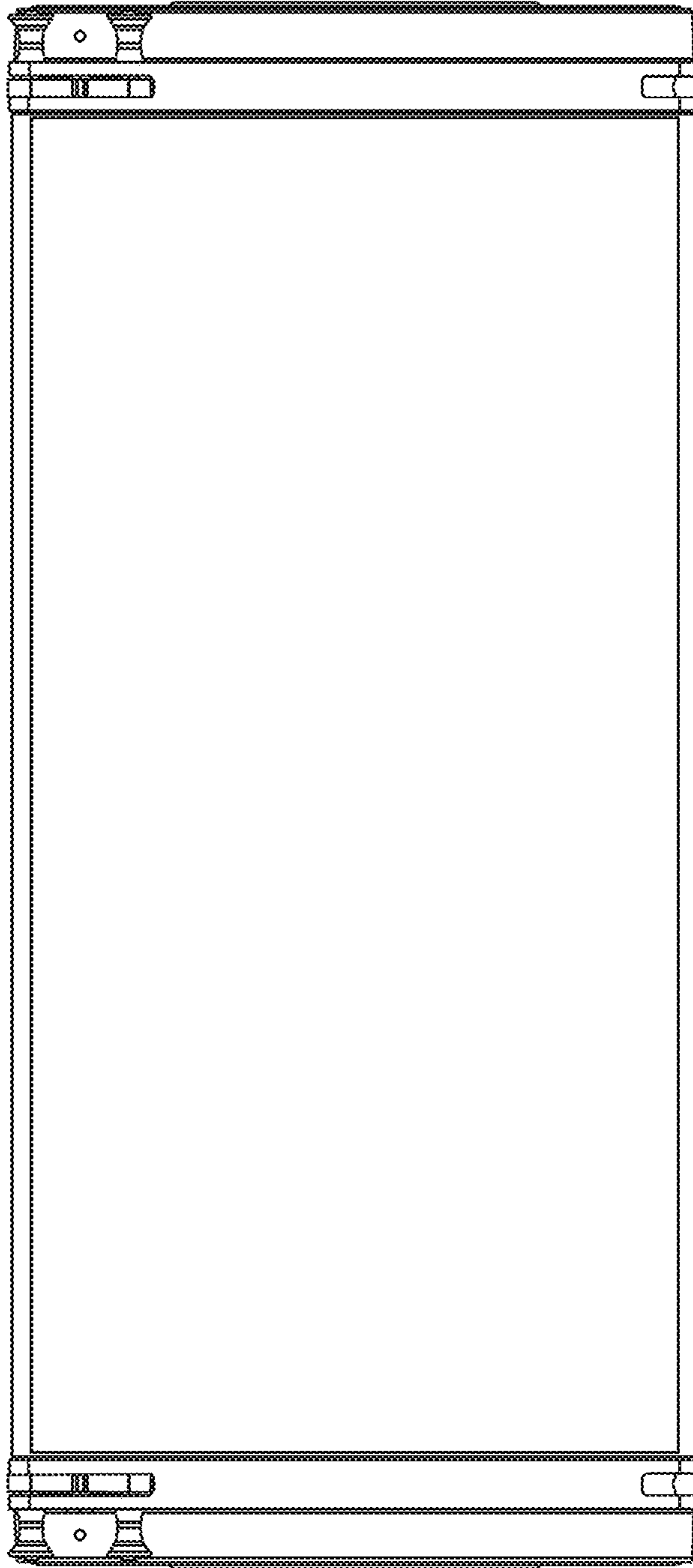


FIG. 1

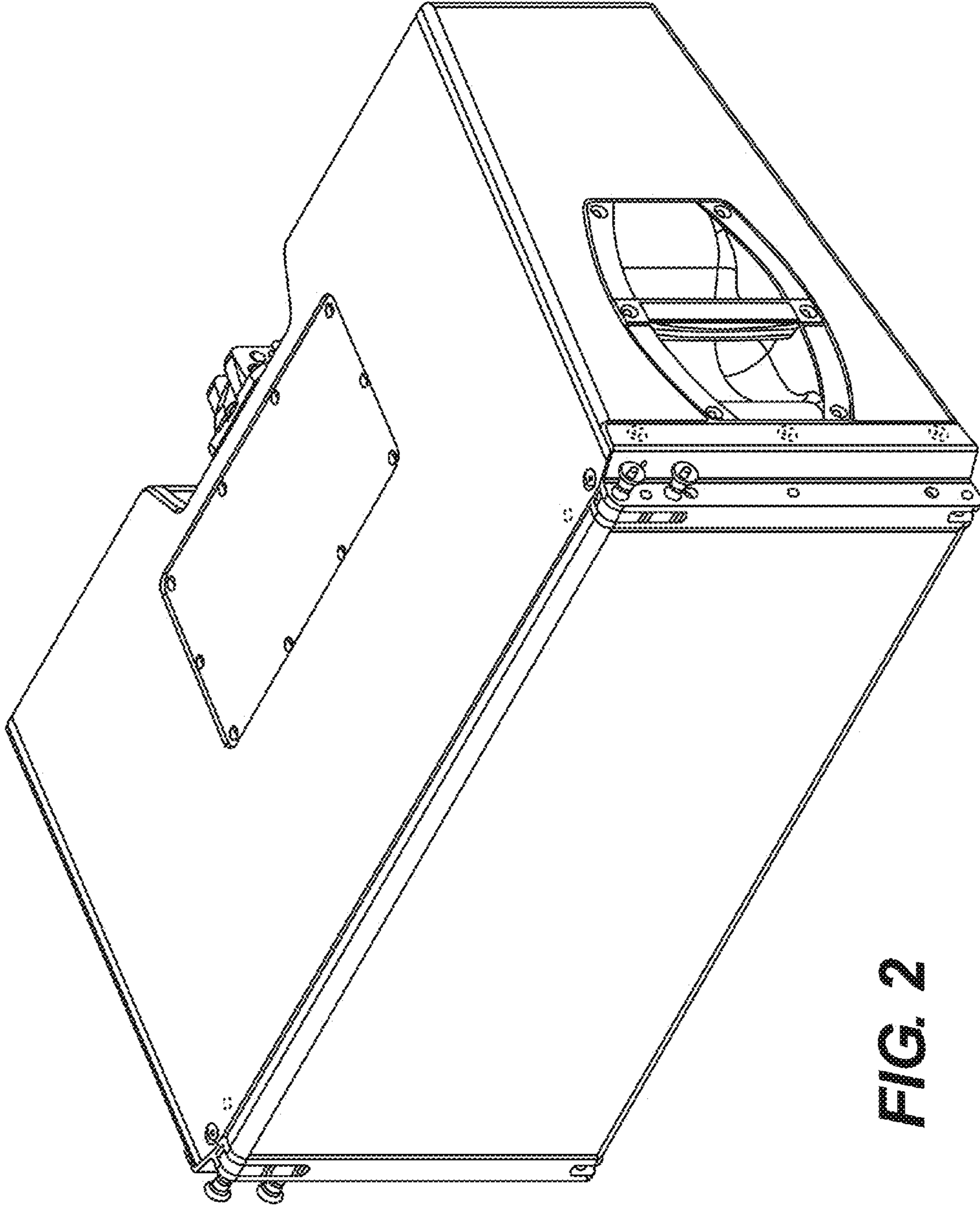


FIG. 2

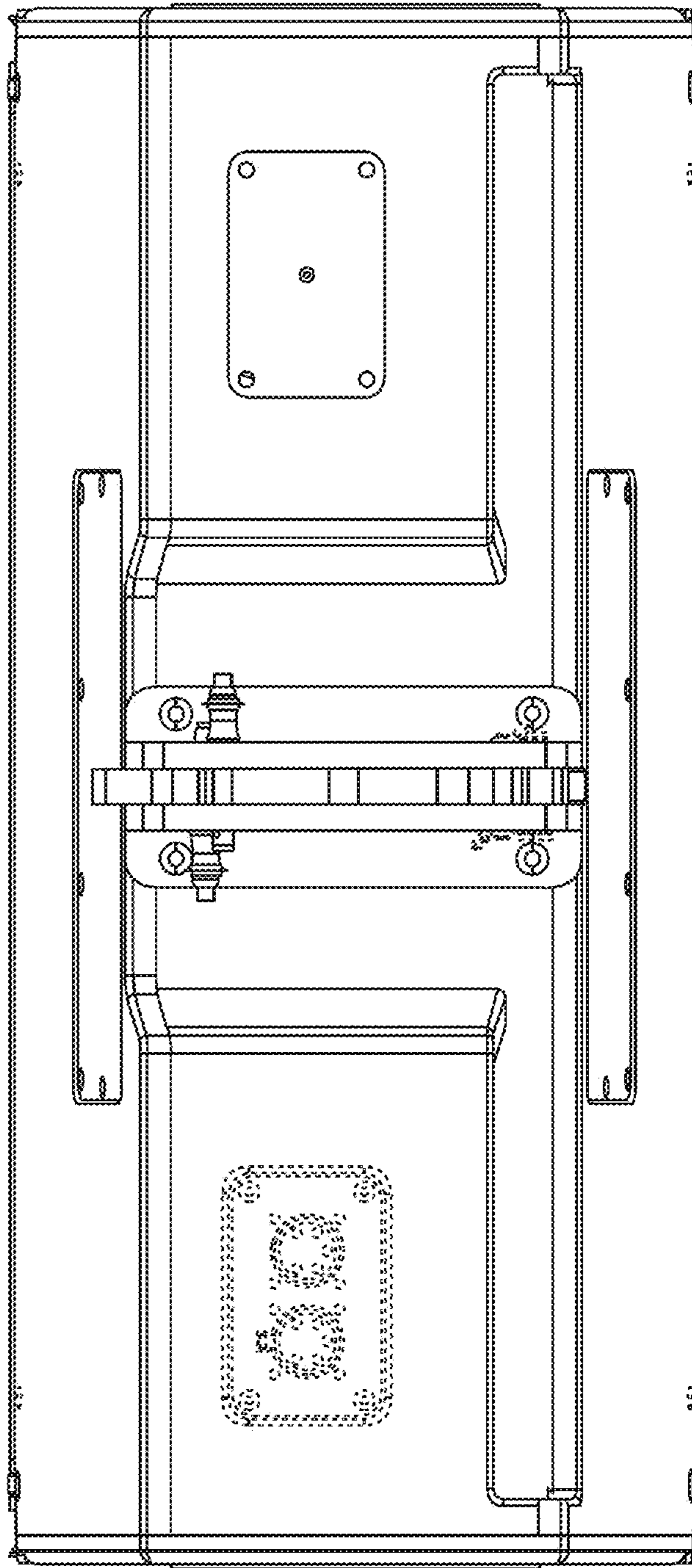


FIG. 3

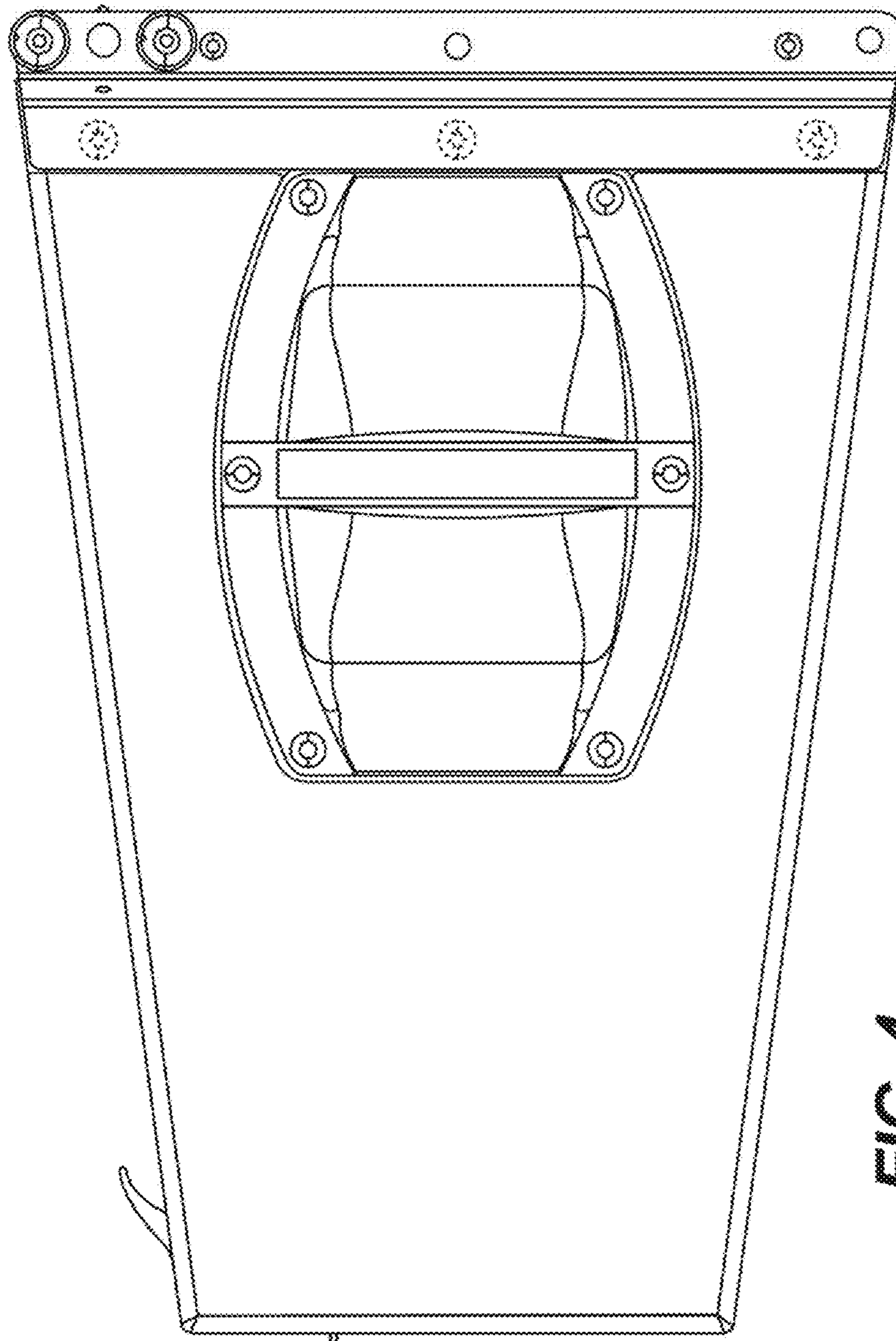


FIG. 4

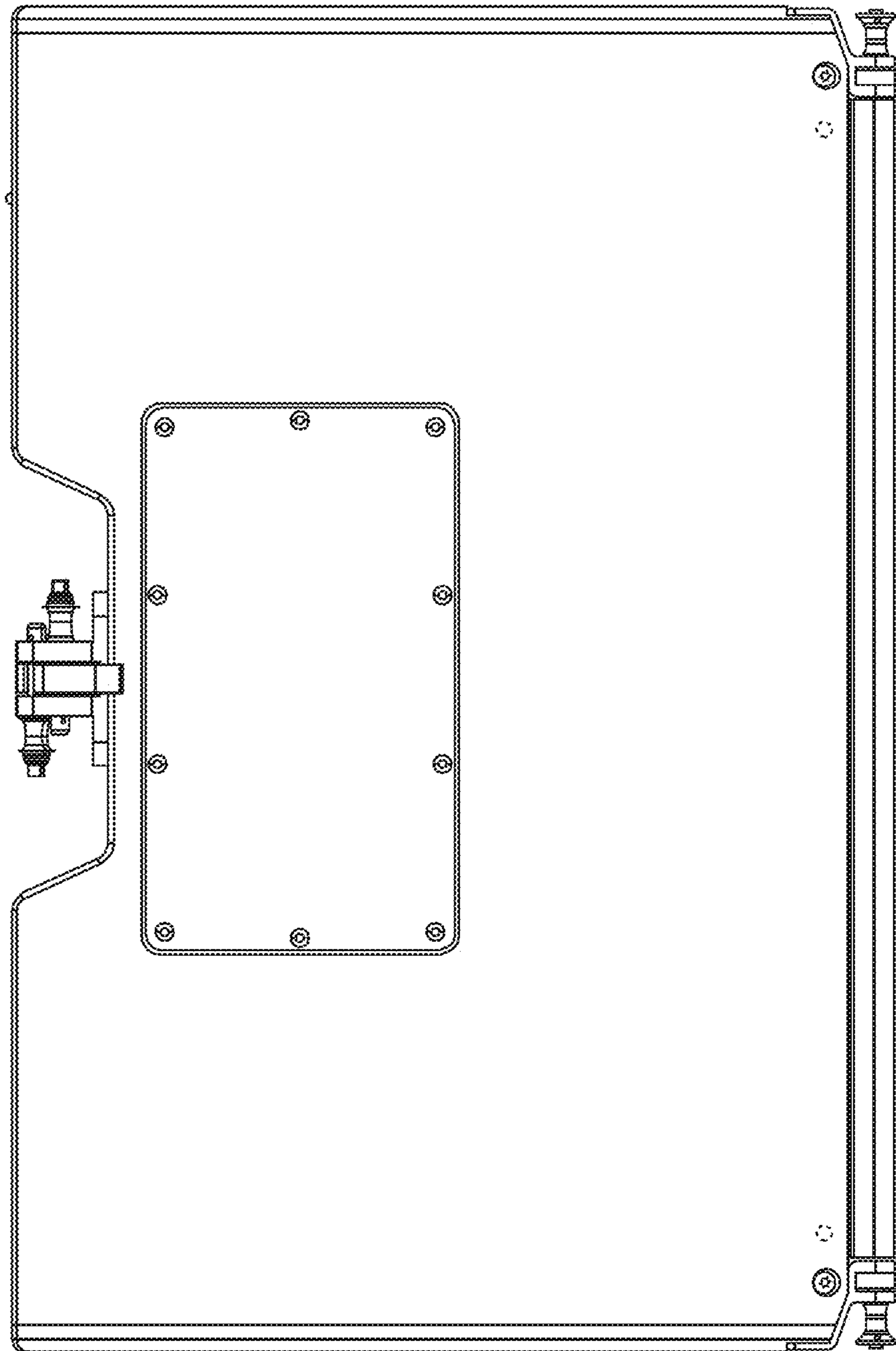


FIG. 5