



US00D727871S

(12) **United States Design Patent**
Orbach

(10) **Patent No.:** **US D727,871 S**
(45) **Date of Patent:** **** Apr. 28, 2015**

(54) **HEADPHONES**

(71) Applicant: **Nathan Orbach**, Melbourne (AU)
(72) Inventor: **Nathan Orbach**, Melbourne (AU)
(73) Assignee: **Tympanix IP Pty Ltd**, Victoria (AU)
(**) Term: **14 Years**
(21) Appl. No.: **29/461,870**
(22) Filed: **Jul. 29, 2013**

(30) **Foreign Application Priority Data**

Jan. 29, 2013 (AU) 201310416

(51) **LOC (10) Cl.** **14-01**

(52) **U.S. Cl.**
USPC **D14/205**

(58) **Field of Classification Search**
CPC H04R 1/10
USPC D14/205, 223; 181/129, 130, 135;
379/430, 431; 381/380, 381; 455/90.3,
455/575.1
See application file for complete search history.

(56) **References Cited**

U.S. PATENT DOCUMENTS

2,430,229	A *	11/1947	Kelsey	381/338
D531,169	S *	10/2006	Tokioka et al.	D14/223
D539,268	S *	3/2007	Suzuki	D14/206
D578,507	S *	10/2008	Ando	D14/205
D599,778	S *	9/2009	Ando	D14/205
D607,875	S *	1/2010	Pedersen, II	D14/206
D621,389	S *	8/2010	Nagayama et al.	D14/223
D626,117	S *	10/2010	Lowry	D14/223
D636,756	S *	4/2011	Fahrendorff et al.	D14/205
D637,999	S *	5/2011	Brunner et al.	D14/205
D642,163	S *	7/2011	Lee et al.	D14/223
D643,414	S *	8/2011	Lee et al.	D14/223

D648,316	S *	11/2011	Lee et al.	D14/205
8,073,181	B2 *	12/2011	Bakalos et al.	381/384
D662,079	S *	6/2012	Fahrendorff et al.	D14/205
D666,581	S *	9/2012	Perez	D14/223
D674,373	S *	1/2013	Combs et al.	D14/205
8,391,536	B2 *	3/2013	Hashimoto	381/380
8,422,717	B2 *	4/2013	Lin et al.	381/372
D685,761	S *	7/2013	Fletcher et al.	D14/205
D687,410	S *	8/2013	Fletcher et al.	D14/205
D699,226	S *	2/2014	Yoon	D14/223
2007/0098201	A1 *	5/2007	Chen	381/380
2007/0189570	A1 *	8/2007	Matsuo et al.	381/382
2011/0249856	A1 *	10/2011	Takei	381/380
2012/0243725	A1 *	9/2012	Takai et al.	381/380
2013/0170692	A1 *	7/2013	Kaneko et al.	381/380

* cited by examiner

Primary Examiner — Paula Greene

(74) *Attorney, Agent, or Firm* — Nutter McClennen & Fish LLP; John J. Penny, Jr.

(57) **CLAIM**

The ornamental design for headphones, as shown and described.

DESCRIPTION

FIG. 1 is a left side view of the headphones of the present invention;

FIG. 2 is a front view of the headphones of the present invention; and

FIG. 3 is a right side view of the headphones of the present invention;

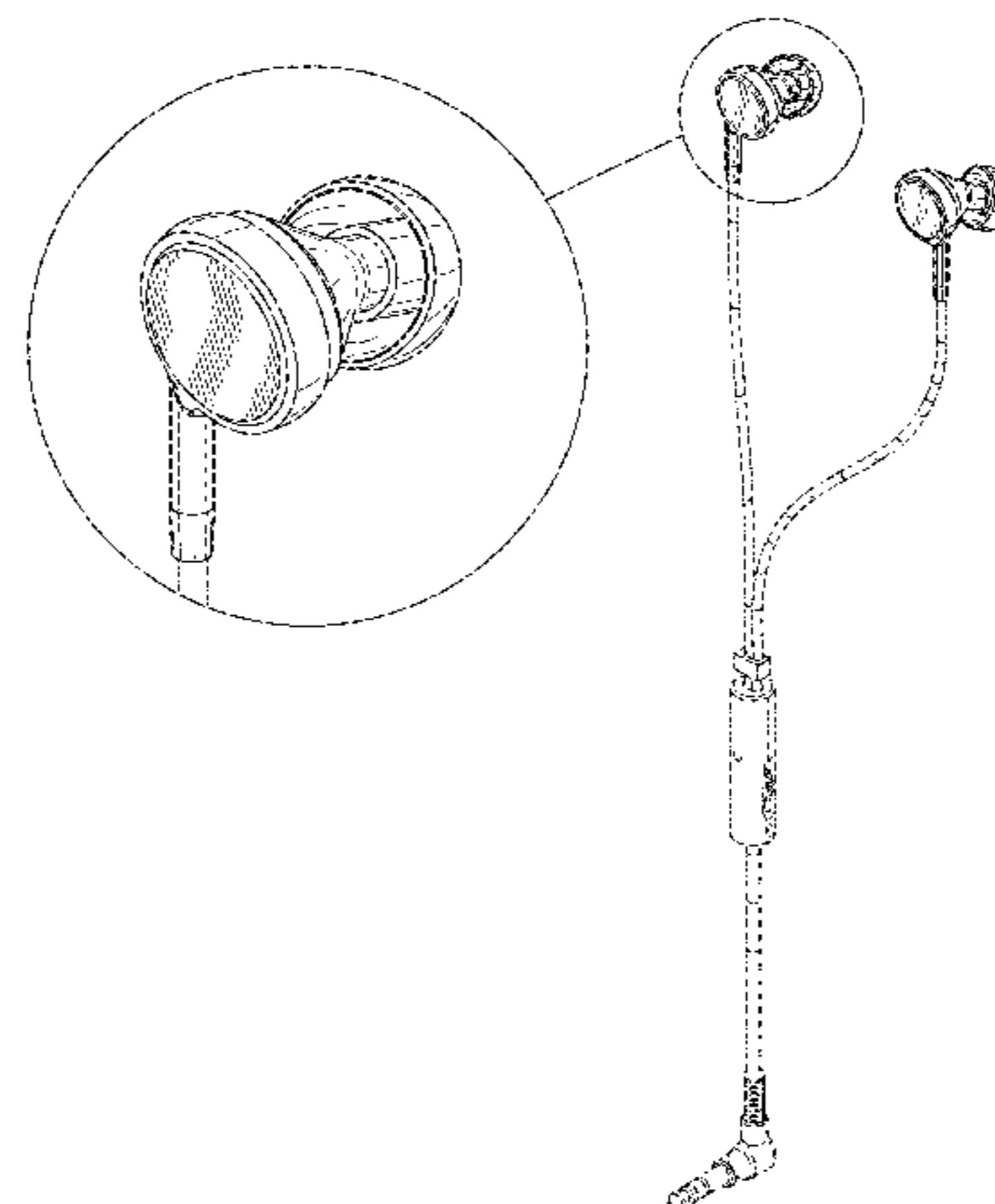
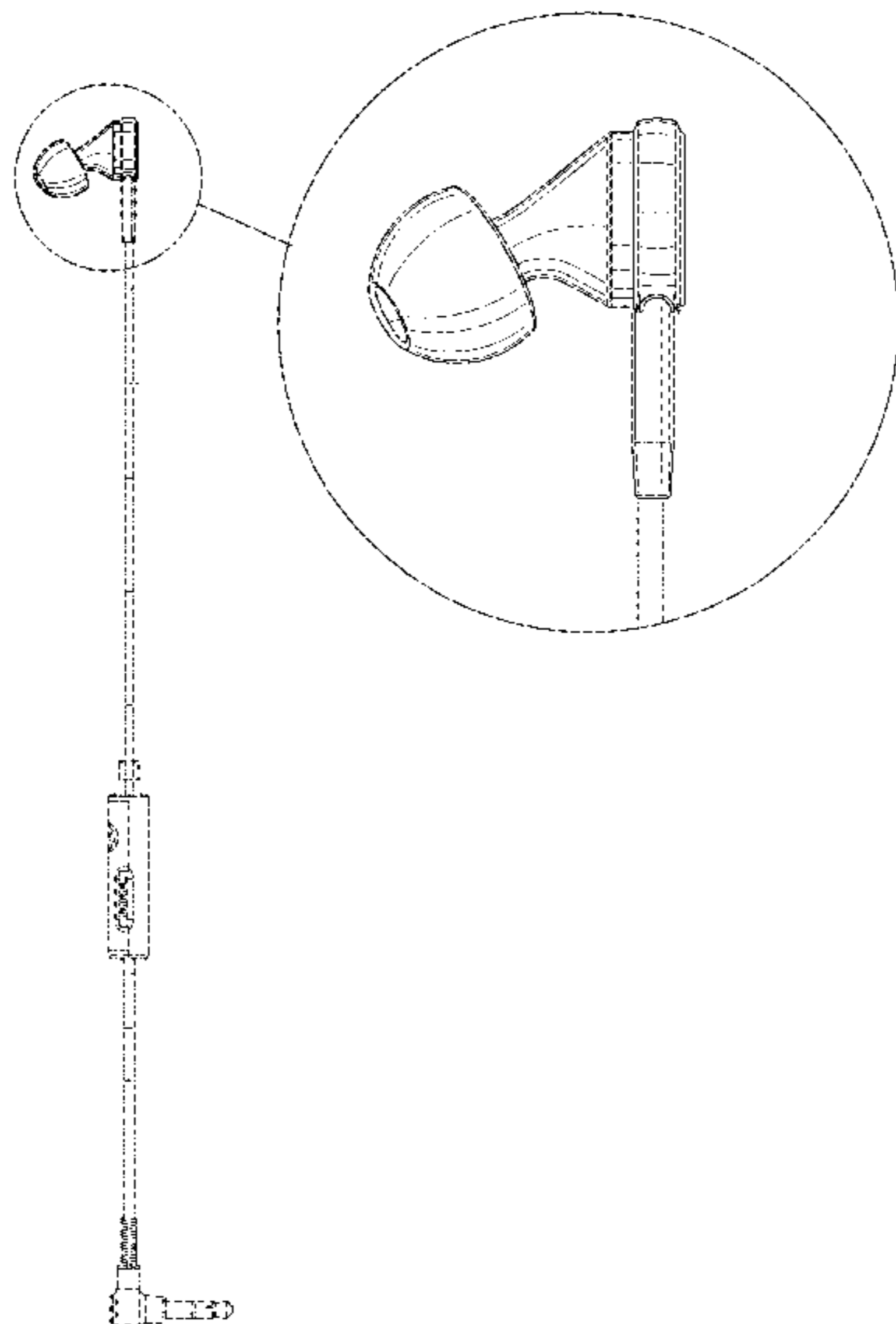
FIG. 4 is a back view of the headphones of the present invention;

FIG. 5 is a top view of the headphones of the present invention; and,

FIG. 6 is a front perspective view of the headphones of the present invention.

The lines shown in phantom are for illustrative purposes only and do not form part of the claimed invention.

1 Claim, 6 Drawing Sheets



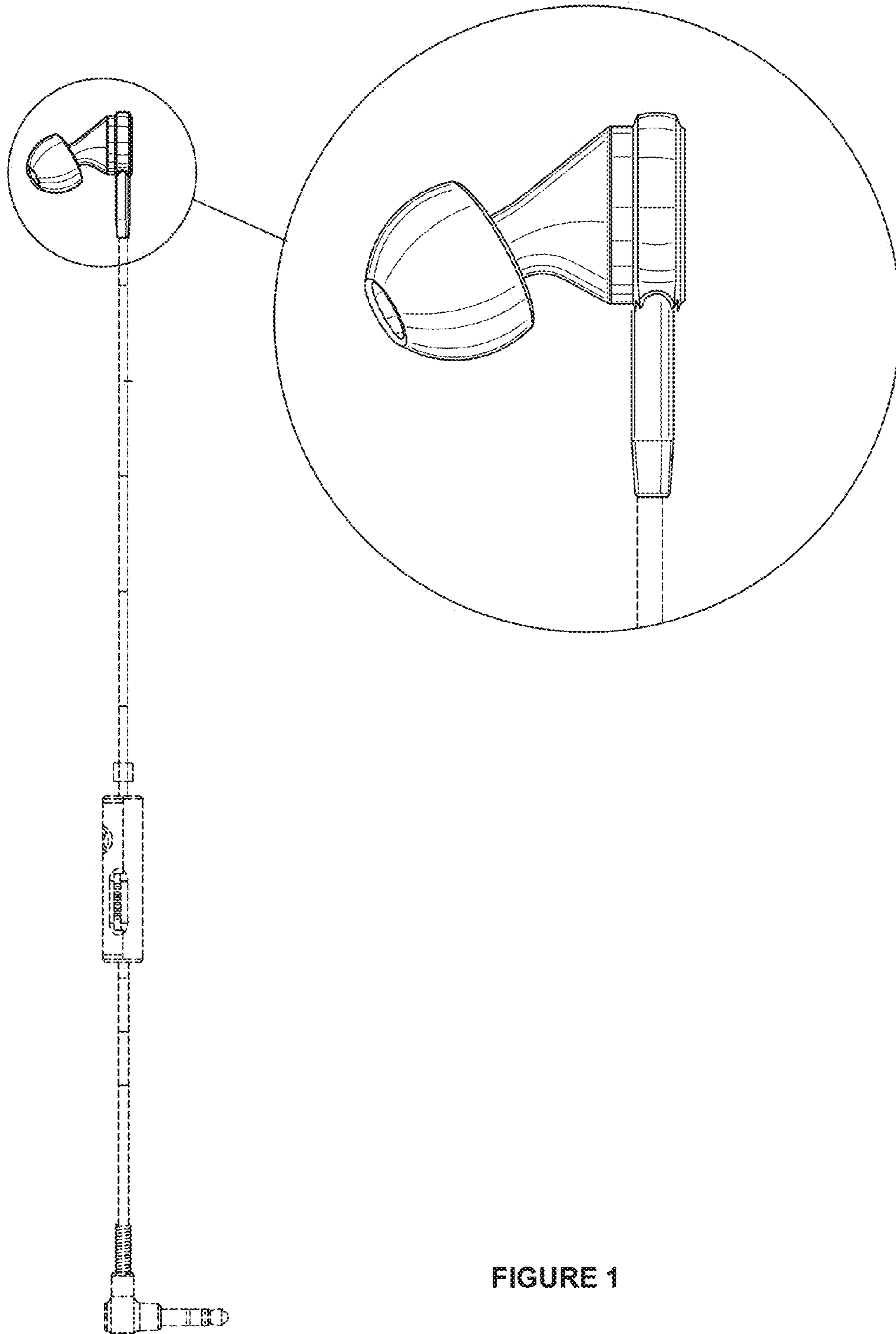


FIGURE 1

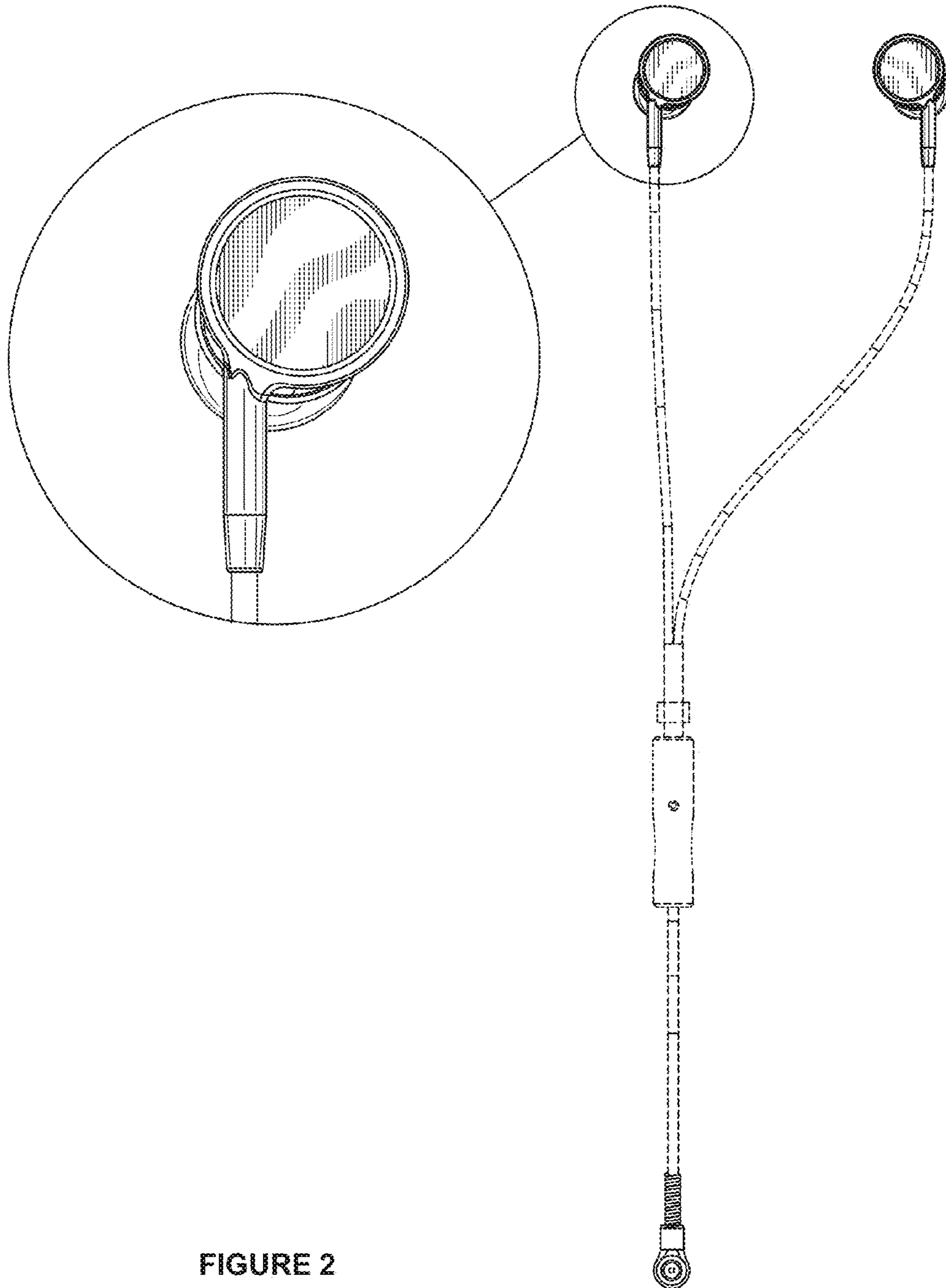


FIGURE 2

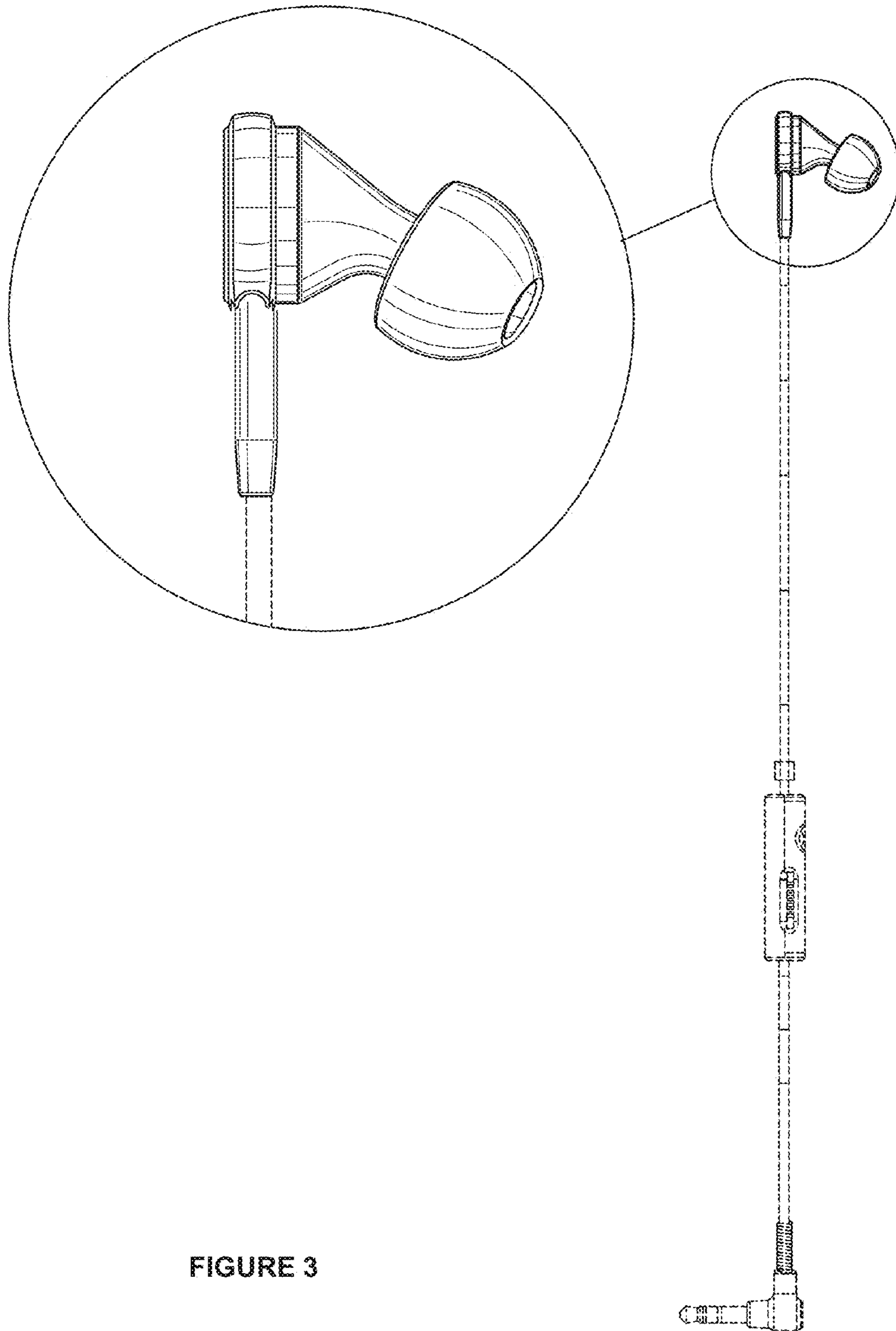


FIGURE 3

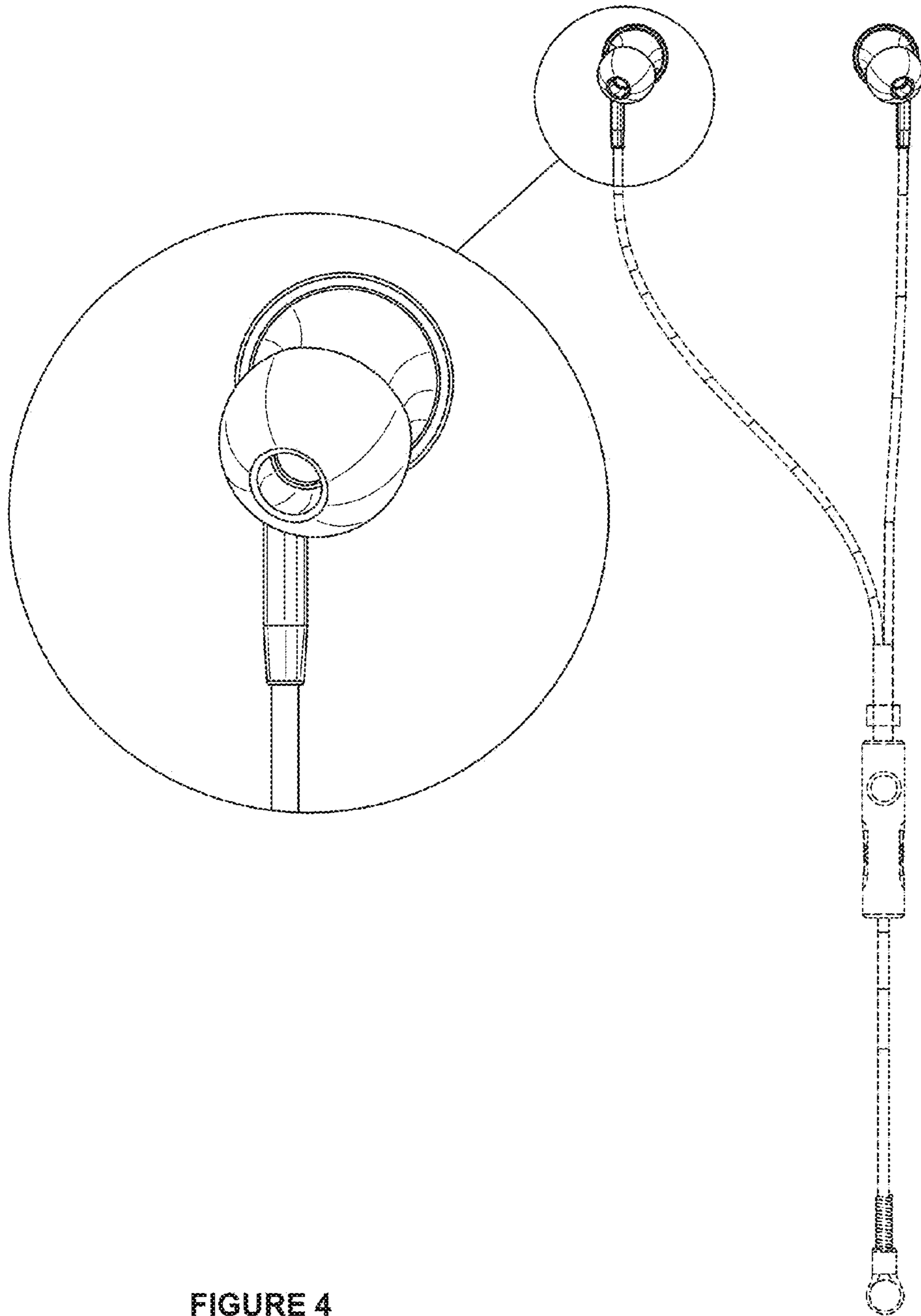


FIGURE 4

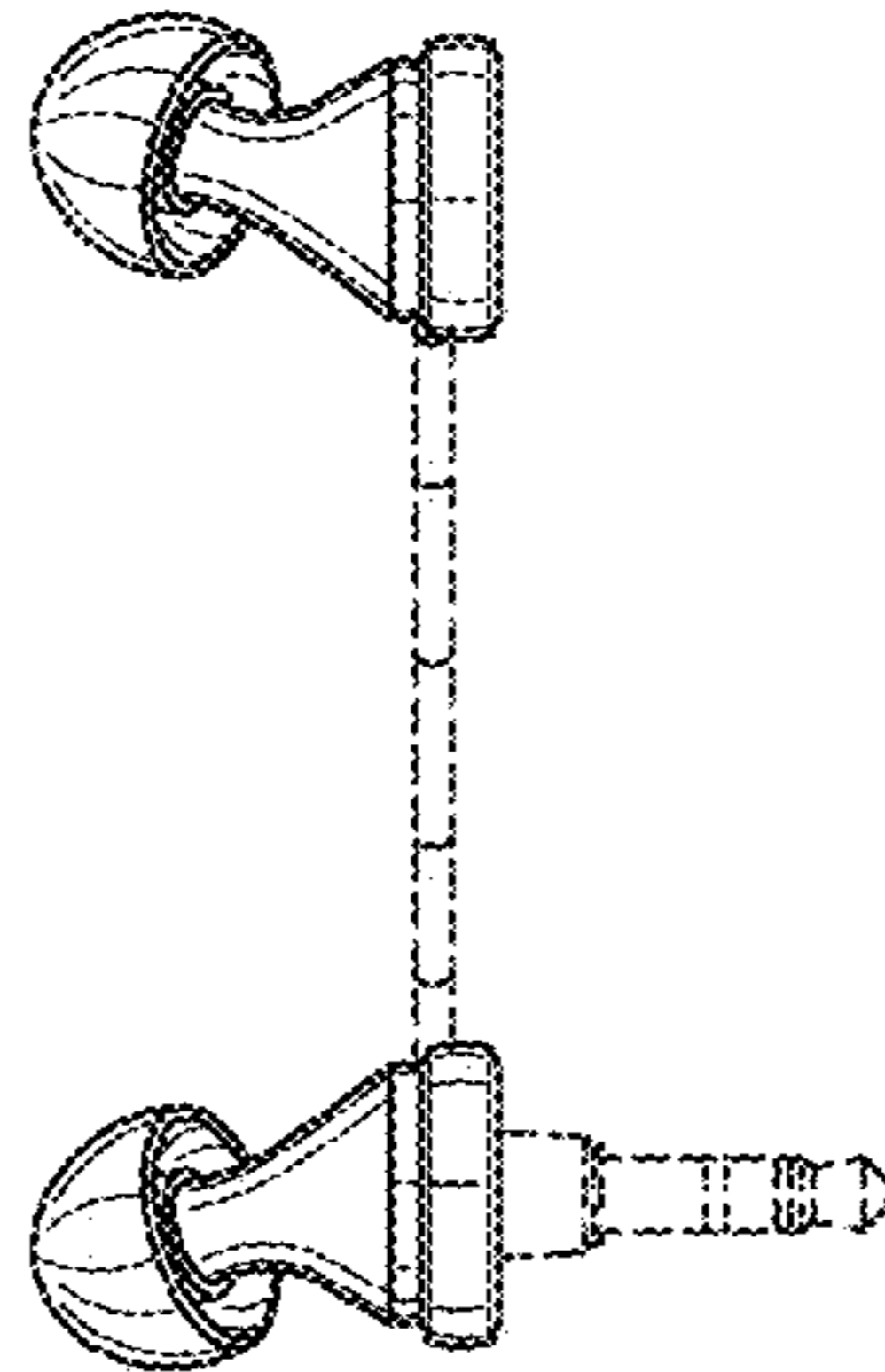


FIGURE 5

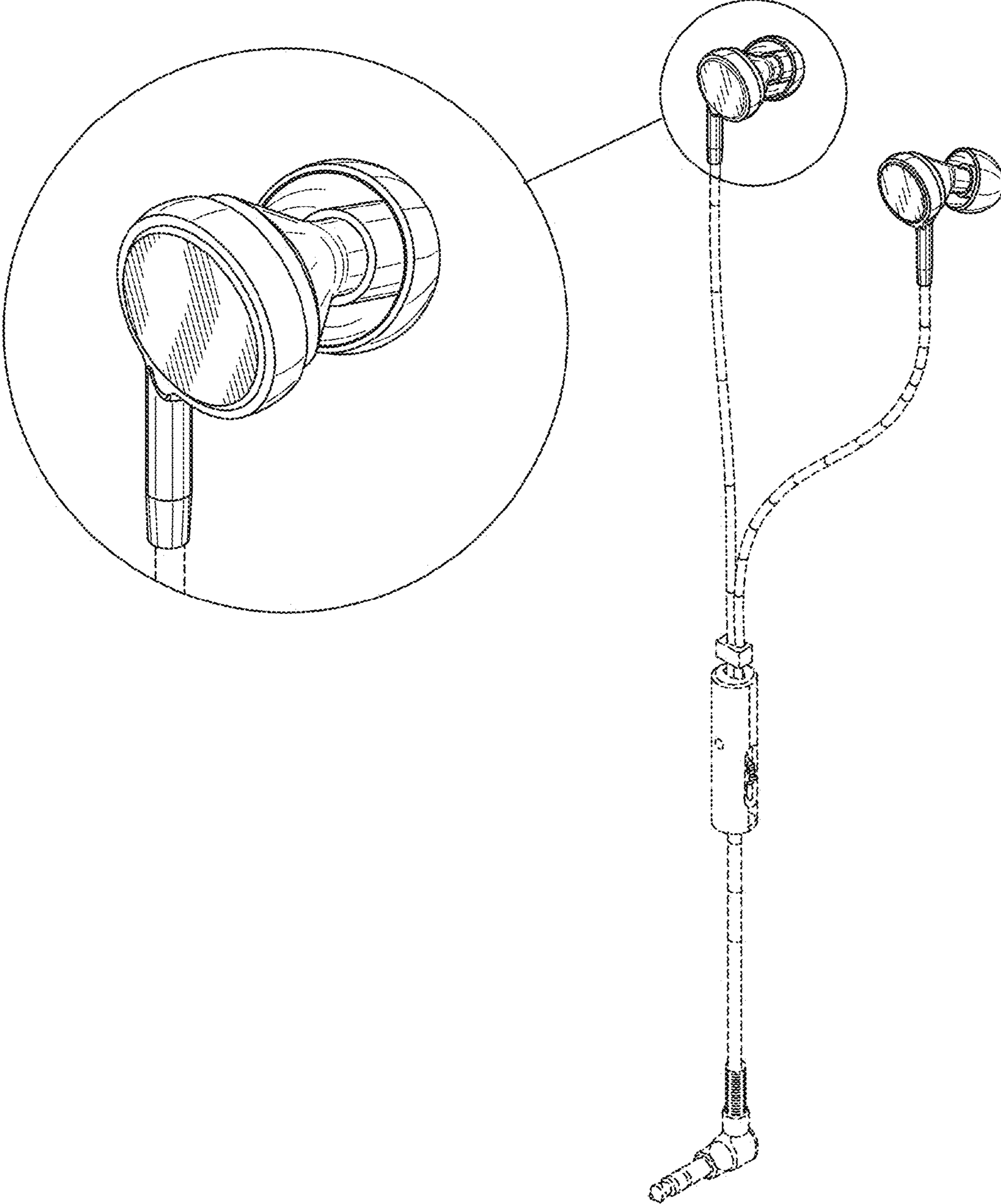


FIGURE 6