



US00D727870S

(12) **United States Design Patent**
Muramoto

(10) **Patent No.:** **US D727,870 S**
(45) **Date of Patent:** **** Apr. 28, 2015**

(54) **AMPLIFIER**

(71) Applicant: **Alpine Electronics, Inc.**, Tokyo (JP)

(72) Inventor: **Masatada Muramoto**, Tokyo (JP)

(73) Assignee: **Alpine Electronics, Inc.**, Tokyo (JP)

(**) Term: **14 Years**

(21) Appl. No.: **29/492,977**

(22) Filed: **Jun. 4, 2014**

(30) **Foreign Application Priority Data**

Dec. 12, 2013 (JP) 2013-029098

(51) **LOC (10) Cl.** **14-03**

(52) **U.S. Cl.**
USPC **D14/188**

(58) **Field of Classification Search**
CPC H04B 1/06; H04B 1/08; H04M 1/04;
H04M 1/21; H04W 4/02; H04W 4/06
USPC D14/496, 498-511, 157, 168-171,
D14/188-198, 203.1-203.7, 210, 214-216;
312/7.1; 369/6-12; 370/342-344;
455/90.1-90.3, 344-355; 381/120

See application file for complete search history.

(56) **References Cited**

U.S. PATENT DOCUMENTS

D415,493 S *	10/1999	Shieber	D14/188
D422,589 S *	4/2000	Jeon	D14/188
D423,503 S *	4/2000	Abdo	D14/188
D571,352 S *	6/2008	Yamamoto et al.	D14/188
D594,846 S *	6/2009	Teulie	D14/188
D655,687 S *	3/2012	Miyawaki	D14/188
D699,211 S *	2/2014	Koiwa	D14/188

* cited by examiner

Primary Examiner — Sandra Morris

(74) *Attorney, Agent, or Firm* — Brinks Gilson & Lione

(57) **CLAIM**

The ornamental design of the amplifier, as shown and described.

DESCRIPTION

FIG. 1 is a perspective view of an amplifier showing the new design;

FIG. 2 is a front view thereof;

FIG. 3 is a rear view thereof;

FIG. 4 is a top view thereof;

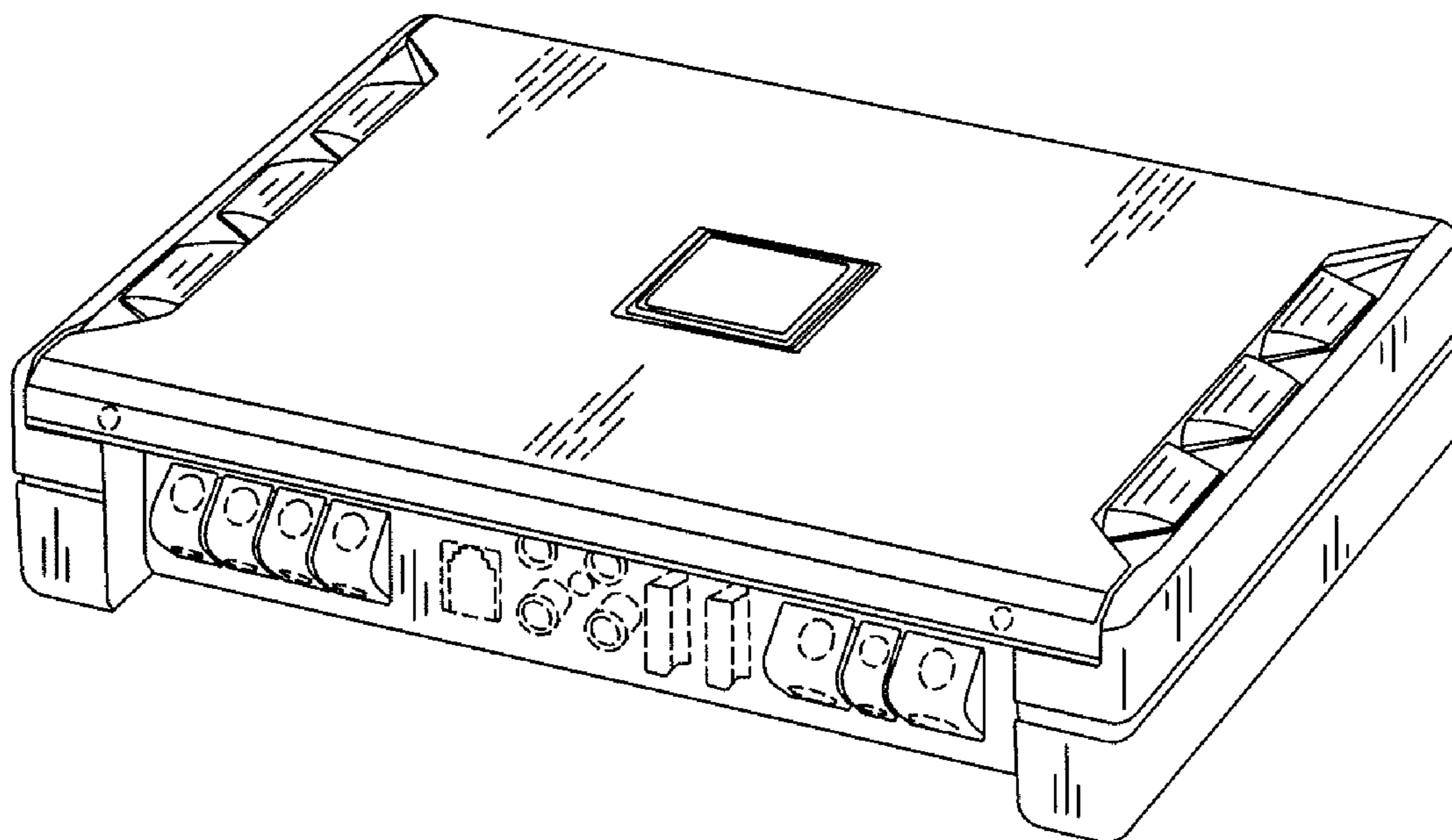
FIG. 5 is a bottom view thereof;

FIG. 6 is a left-side view thereof; and,

FIG. 7 is a right-side view thereof.

The broken lines are for environmental purposes only and do not form any part of the claimed design.

1 Claim, 7 Drawing Sheets



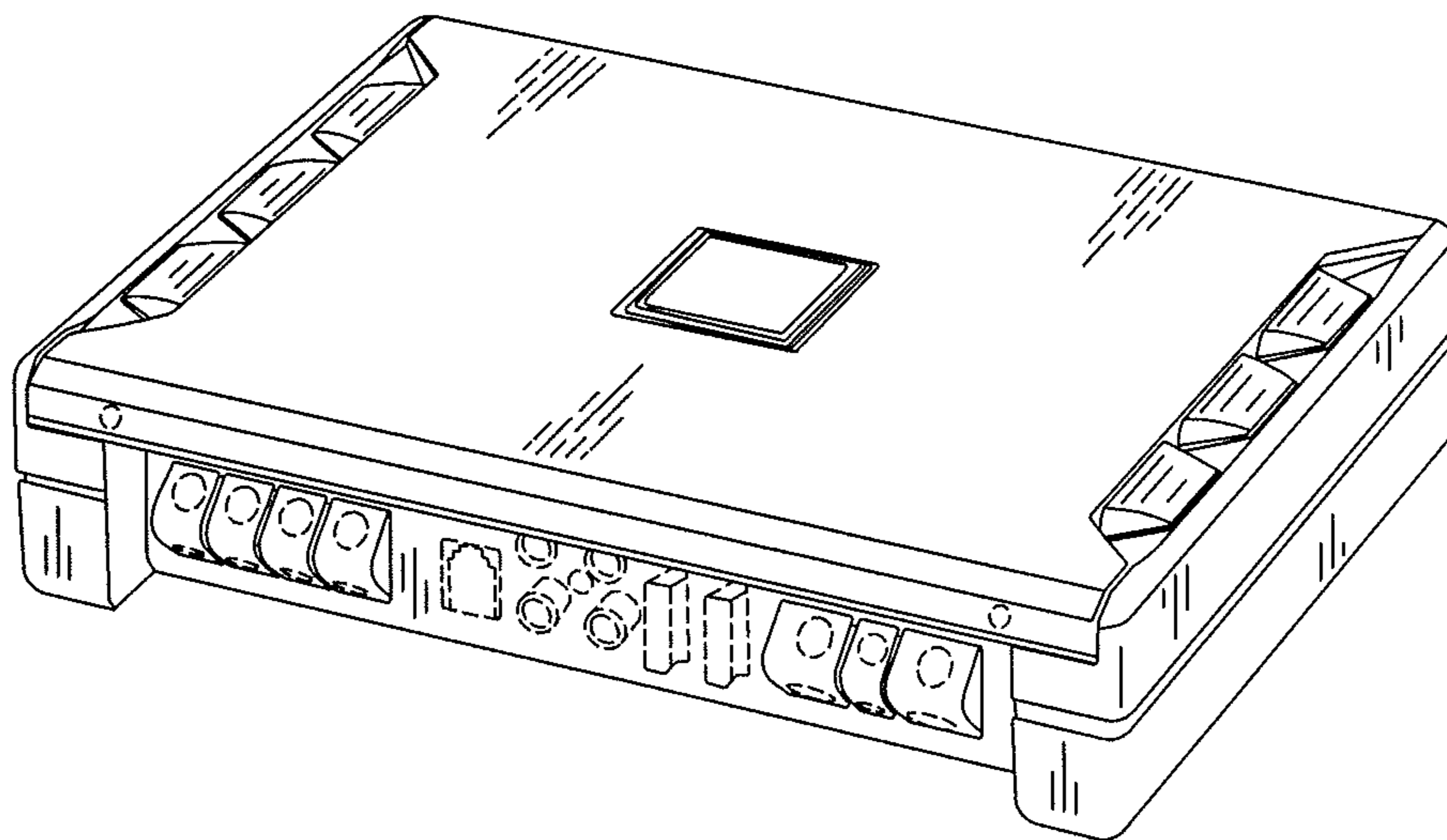


FIG. 1

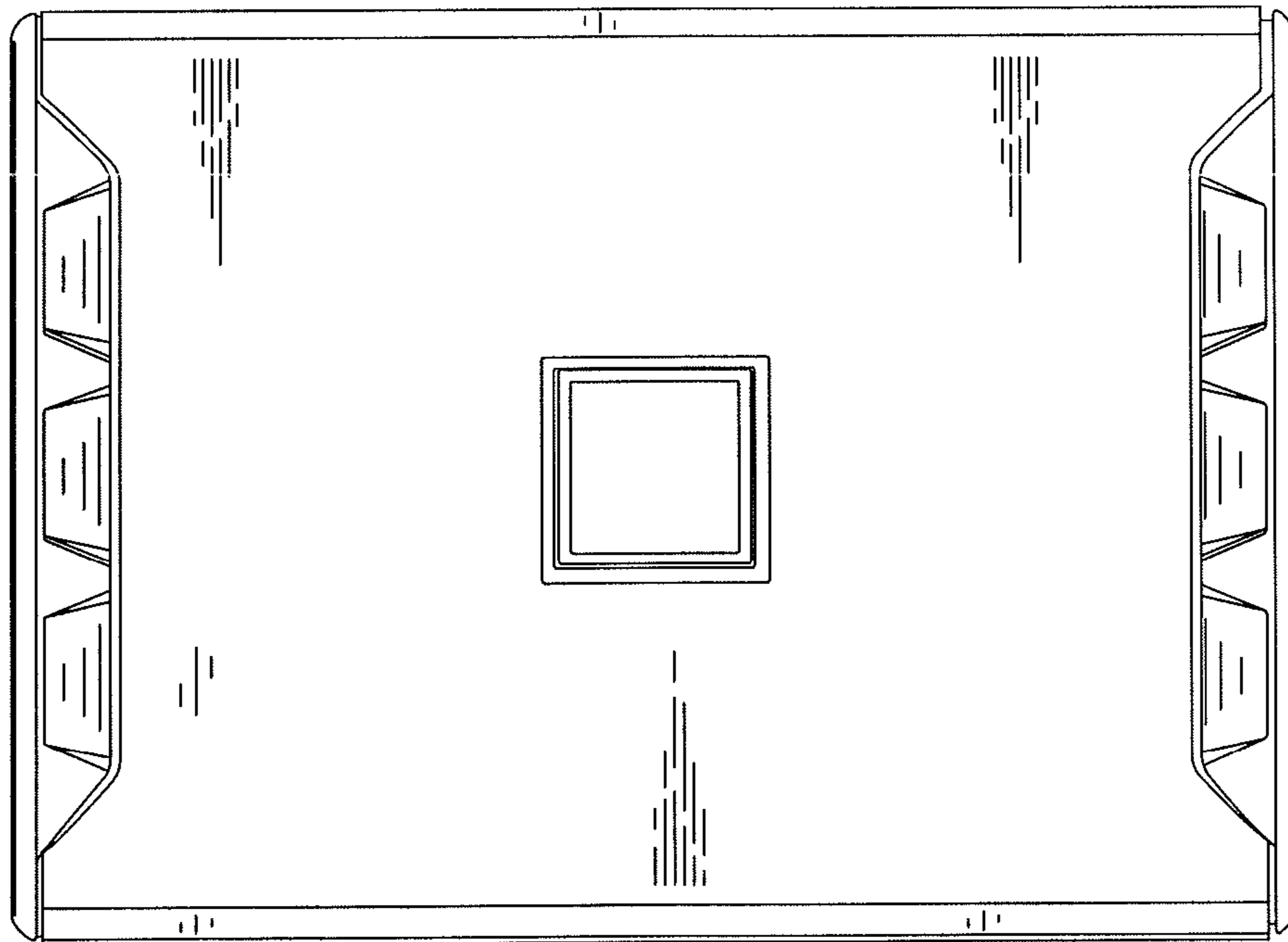


FIG. 2

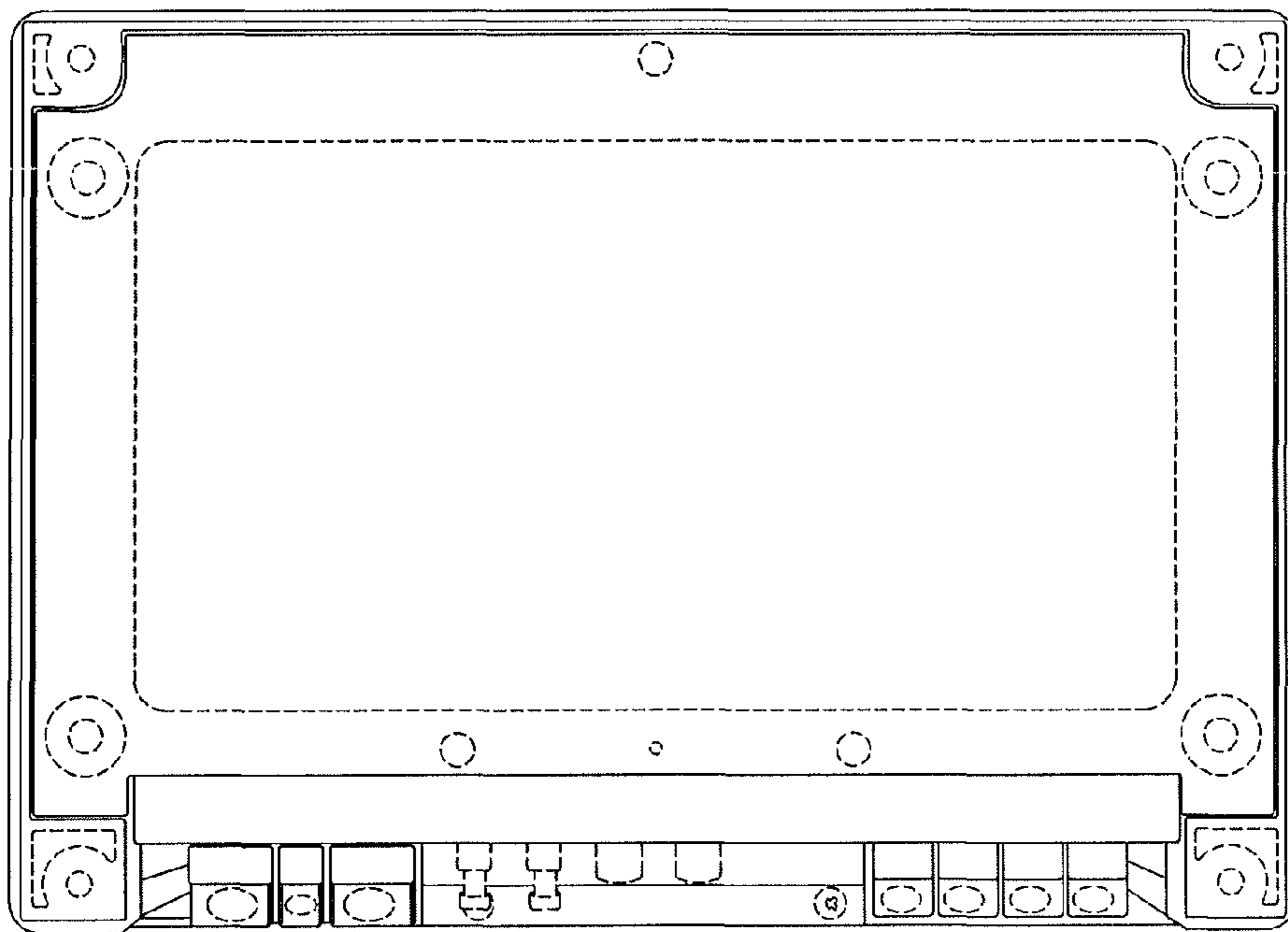


FIG. 3

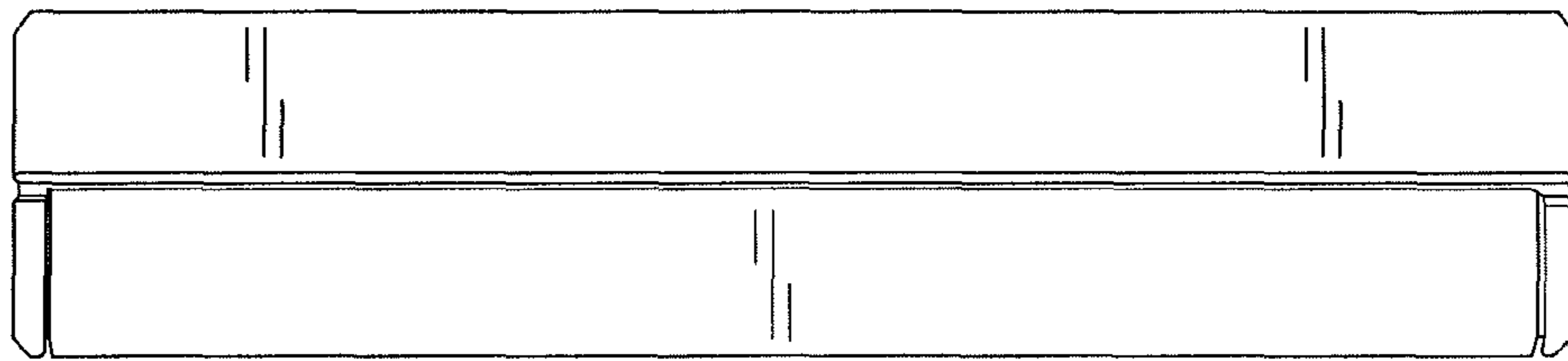


FIG. 4

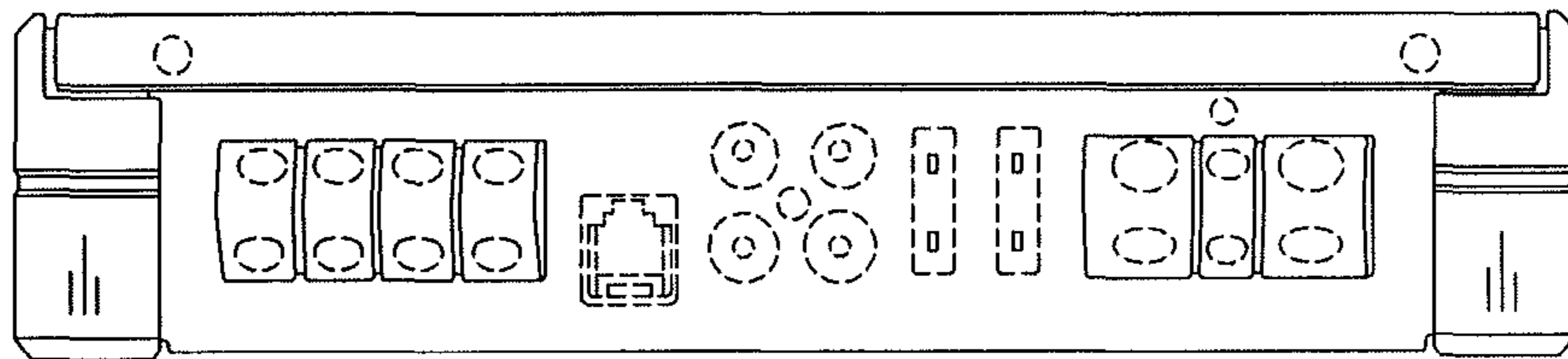


FIG. 5

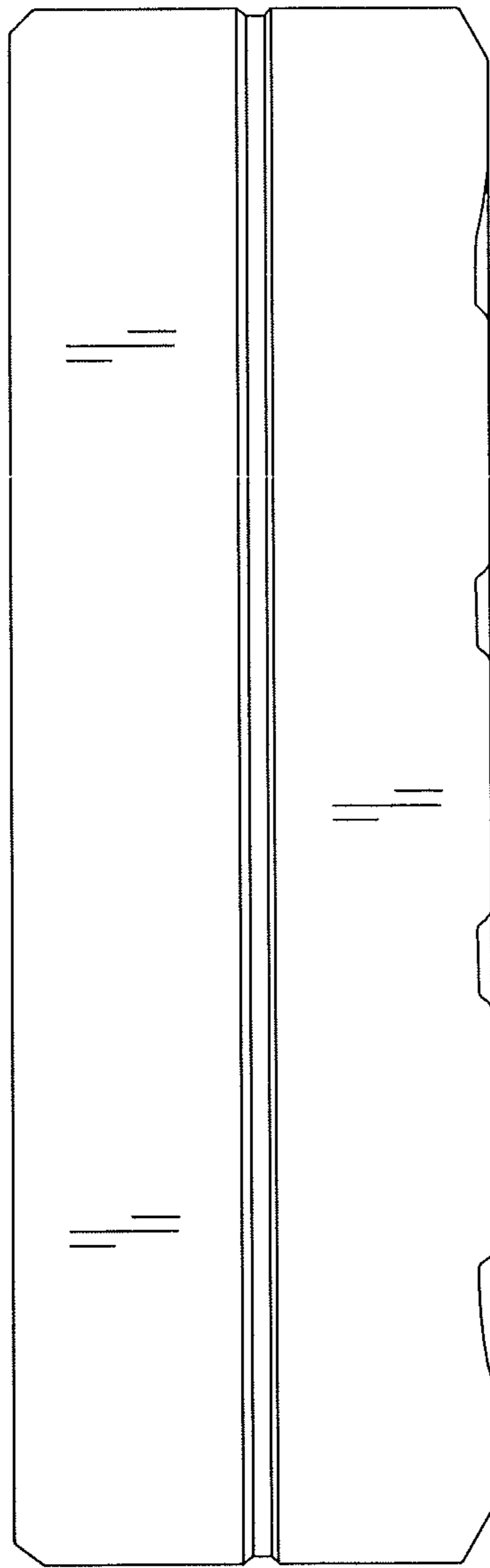


FIG. 6

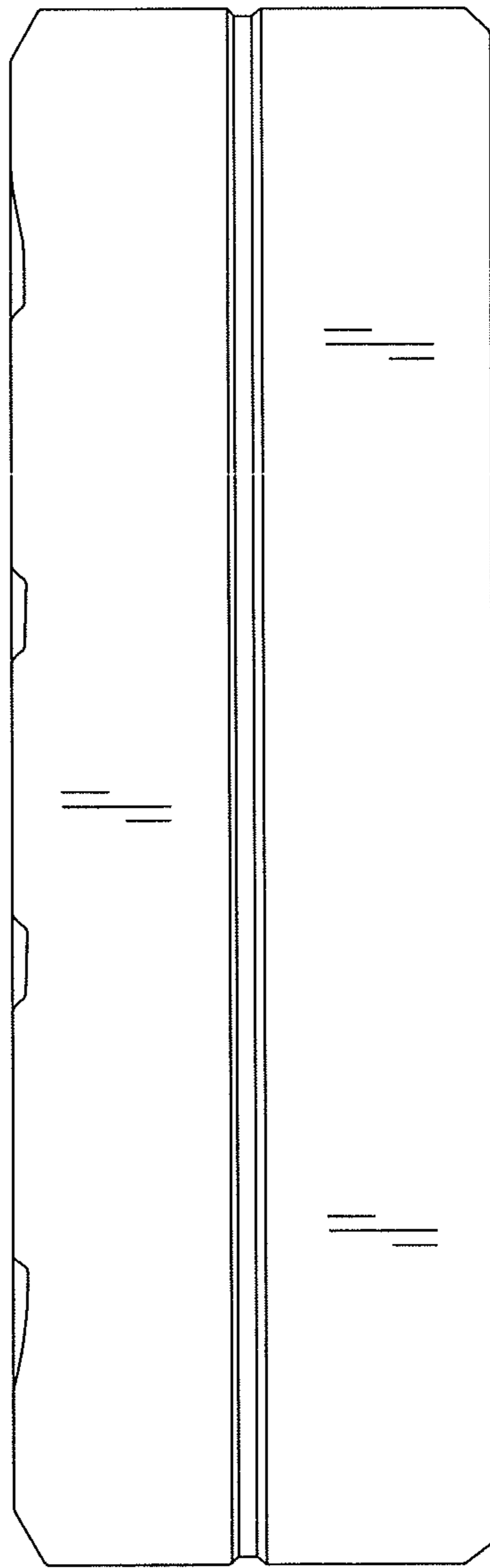


FIG. 7