



US00D727869S

(12) **United States Design Patent**
Jarema, III et al.

(10) **Patent No.:** **US D727,869 S**
(45) **Date of Patent:** **** Apr. 28, 2015**

- (54) **JUKEBOX**
- (71) Applicant: **AMI Entertainment Network, Inc.**,
Trevose, PA (US)
- (72) Inventors: **Stephen Jarema, III**, Pittsgrove, NJ
(US); **Michael G. Maas**, New Hope, PA
(US); **Daniel Massam**, Trevose, PA (US)
- (73) Assignee: **AMI Entertainment Network, LLC**,
Trevose, PA (US)
- (**) Term: **14 Years**
- (21) Appl. No.: **29/482,150**
- (22) Filed: **Feb. 14, 2014**
- (51) **LOC (10) Cl.** **14-01**
- (52) **U.S. Cl.**
USPC **D14/172; D21/325**
- (58) **Field of Classification Search**
CPC A63F 9/24; A63F 13/00; G06F 17/00;
G06F 19/00
USPC D14/172, 173, 203.1–203.7, 496, 188,
D14/265; D21/324, 325, 369; 273/148 B;
463/1, 28–35, 46, 47; 369/1, 6–12,
369/24.01, 30.06, 30.07, 30.08, 30.23;
710/1; 711/100, 111
See application file for complete search history.

6,708,812 B2 *	3/2004	Greim	194/350
6,714,489 B2 *	3/2004	Kalis et al.	369/30.06
6,779,904 B1 *	8/2004	Van Dyk	362/86
D560,651 S *	1/2008	Berkheimer et al.	D14/173
D616,414 S	5/2010	Nathan et al.		
7,937,724 B2	5/2011	Clark et al.		
D665,375 S	8/2012	Garneau et al.		
D670,675 S	11/2012	Garneau et al.		
D686,591 S	7/2013	Garneau et al.		
8,475,285 B2	7/2013	Jarema, III et al.		
D689,461 S	9/2013	Garneau et al.		
D695,706 S	12/2013	Garneau et al.		
8,641,497 B2	2/2014	Karn		
2011/0136572 A1	6/2011	Karn		
2012/0028711 A1	2/2012	Layne, IV et al.		
2012/0146893 A1	6/2012	Maas et al.		
2012/0220370 A1	8/2012	Layne, IV et al.		

* cited by examiner

Primary Examiner — Prabhakar Deshmukh

(74) *Attorney, Agent, or Firm* — Panitch Schwarze Belisario & Nadel LLP

(57) **CLAIM**

The ornamental design for a jukebox, as shown and described.

DESCRIPTION

FIG. 1 is a front perspective view of a jukebox showing our new design;

FIG. 2 is a front elevational view thereof;

FIG. 3 is a right side elevational view thereof;

FIG. 4 is a left side elevational view thereof;

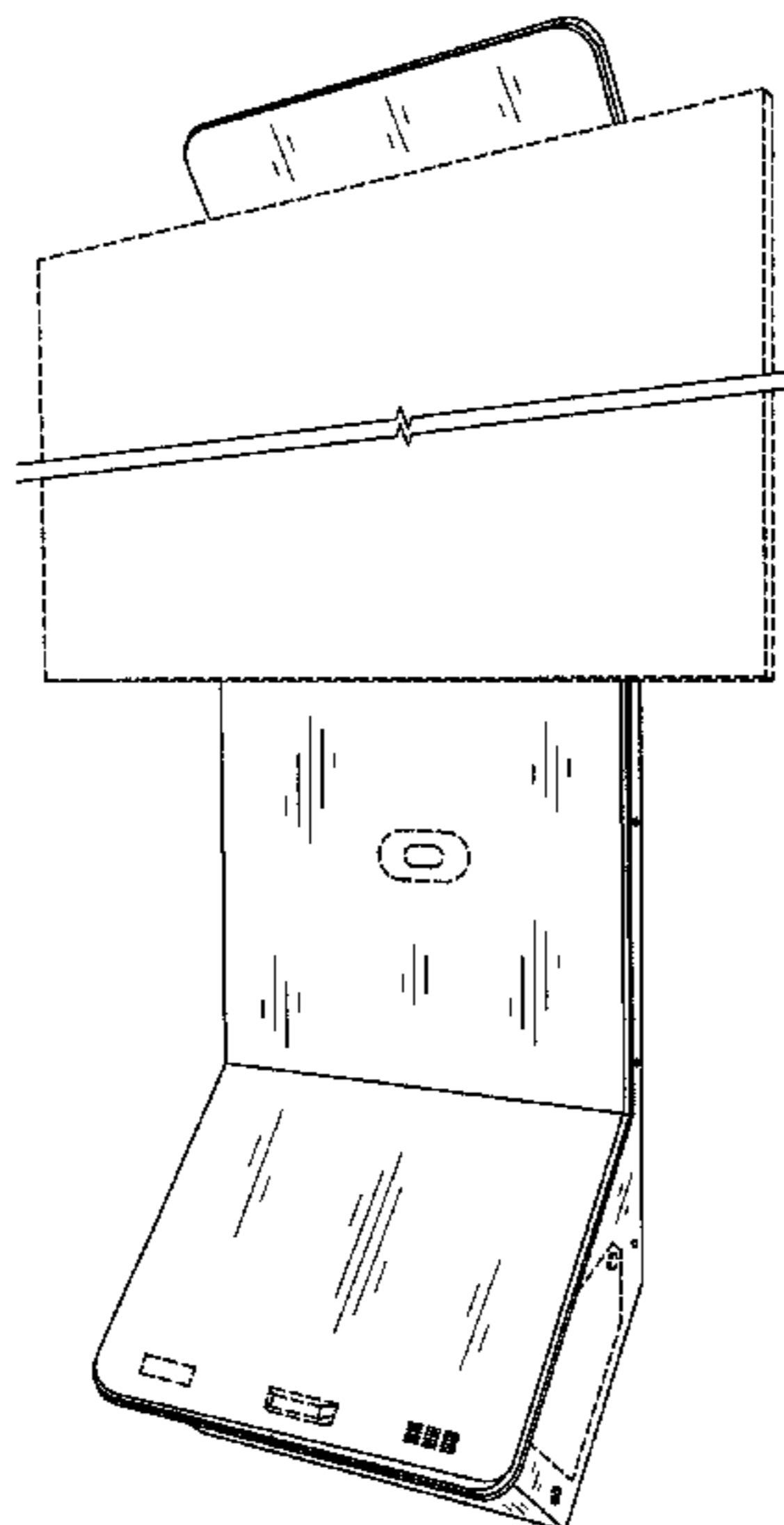
FIG. 5 is a top plan view thereof; and,

FIG. 6 is a bottom plan view thereof.

The rear side disclaimed and forms no part of the claimed design. The broken lines illustrate unclaimed portions and form no part of the claimed design. The portions between the broken away lines form no part of the claimed design. None of the broken lines form part of the claimed design.

1 Claim, 4 Drawing Sheets

- (56) **References Cited**
U.S. PATENT DOCUMENTS
D327,687 S * 7/1992 Arbiter D14/173
D332,096 S 12/1992 Wolff et al.
D337,771 S * 7/1993 Leung D21/405
D355,676 S * 2/1995 Wilson D20/10
5,704,146 A * 1/1998 Herring et al. 40/509
D405,791 S * 2/1999 Menke et al. D14/173
6,430,117 B2 * 8/2002 Zimmer 369/30.06
D475,029 S 5/2003 Nathan et al.



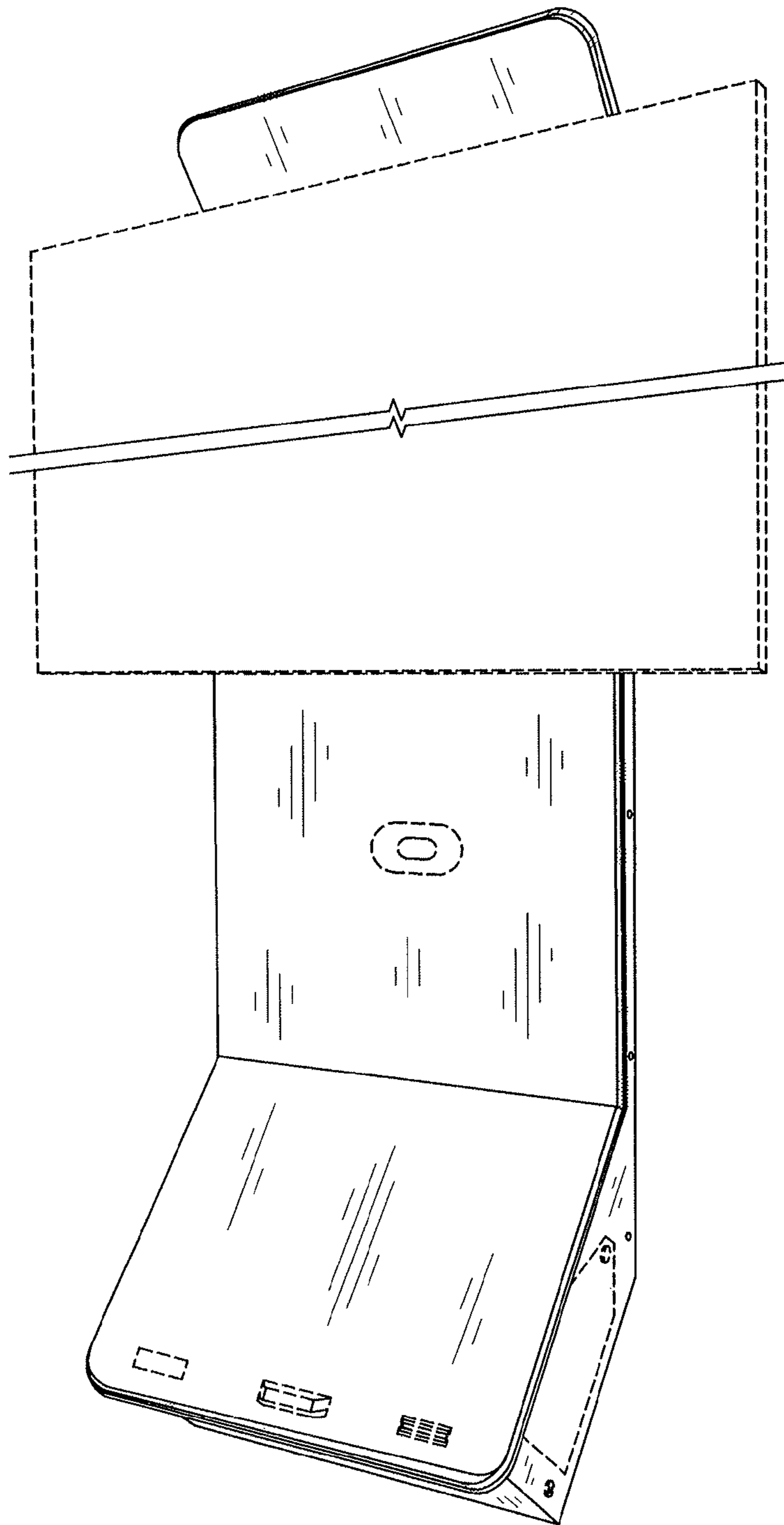


Fig. 1

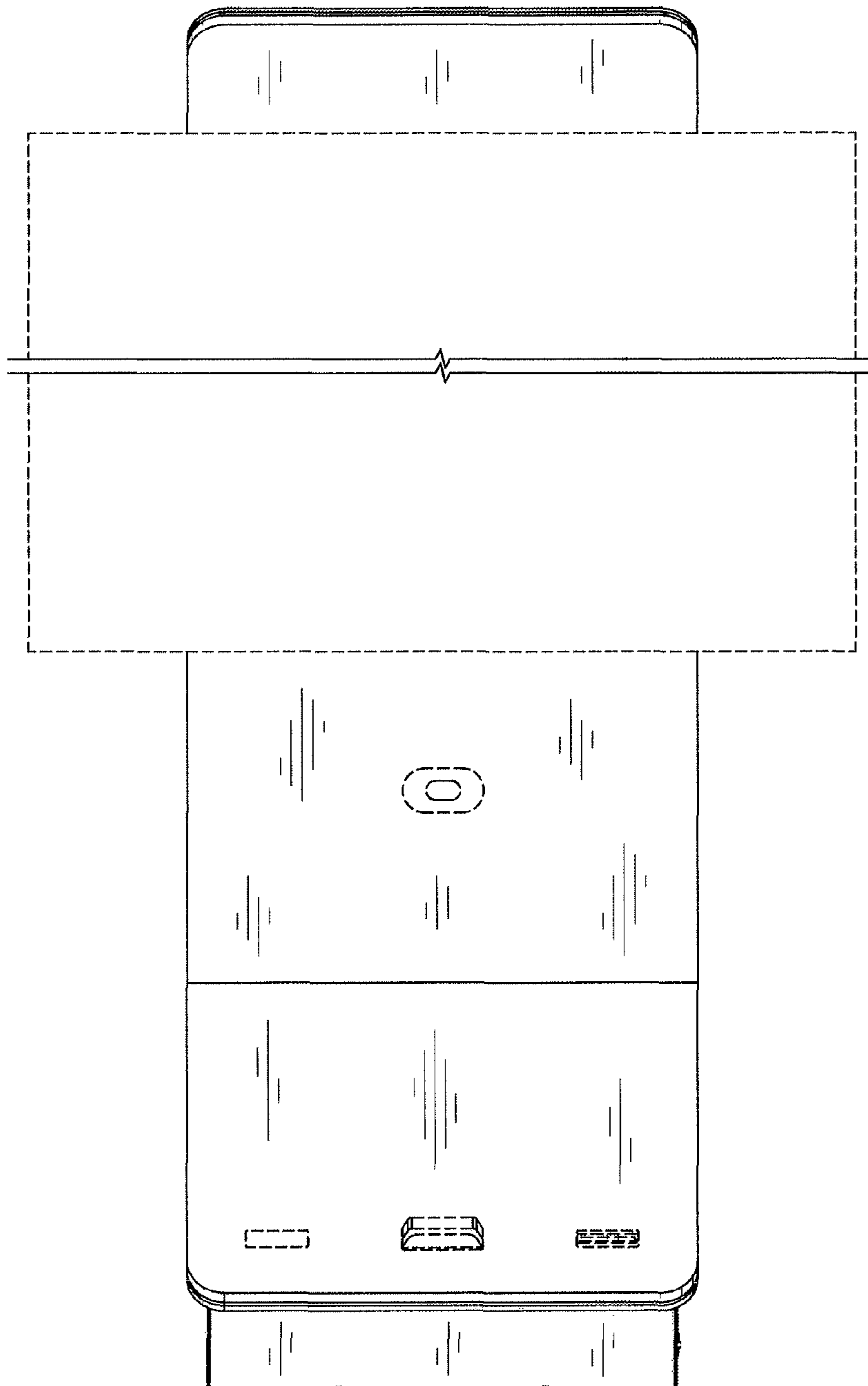


Fig. 2

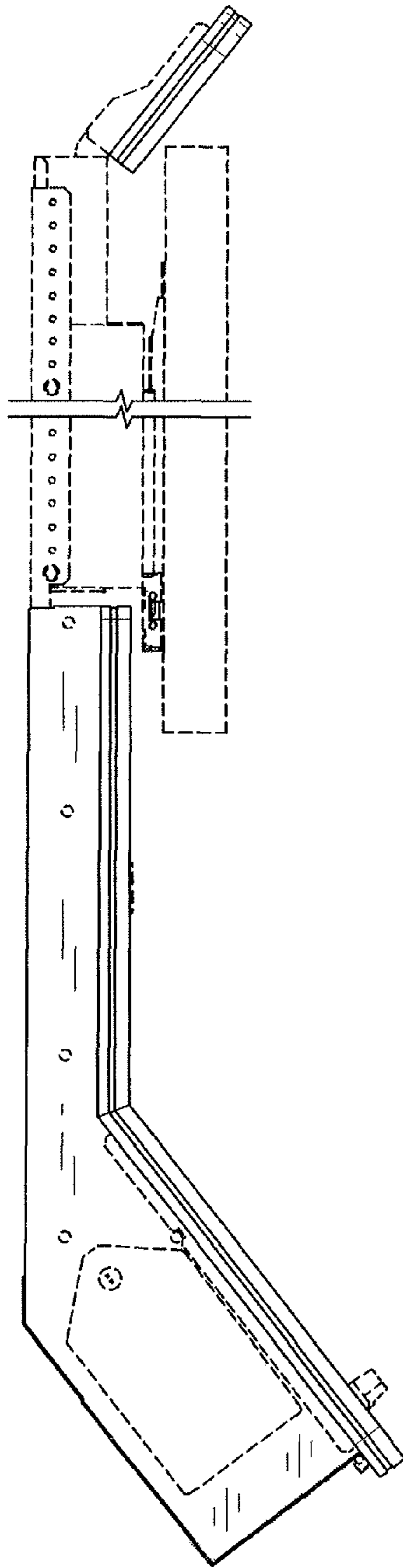


Fig. 3

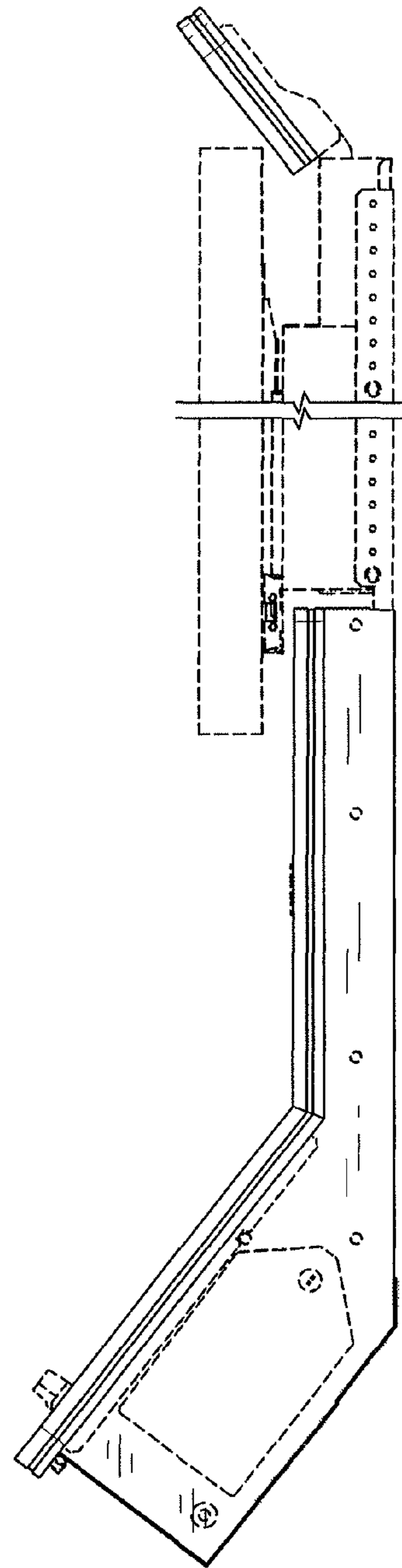


Fig. 4

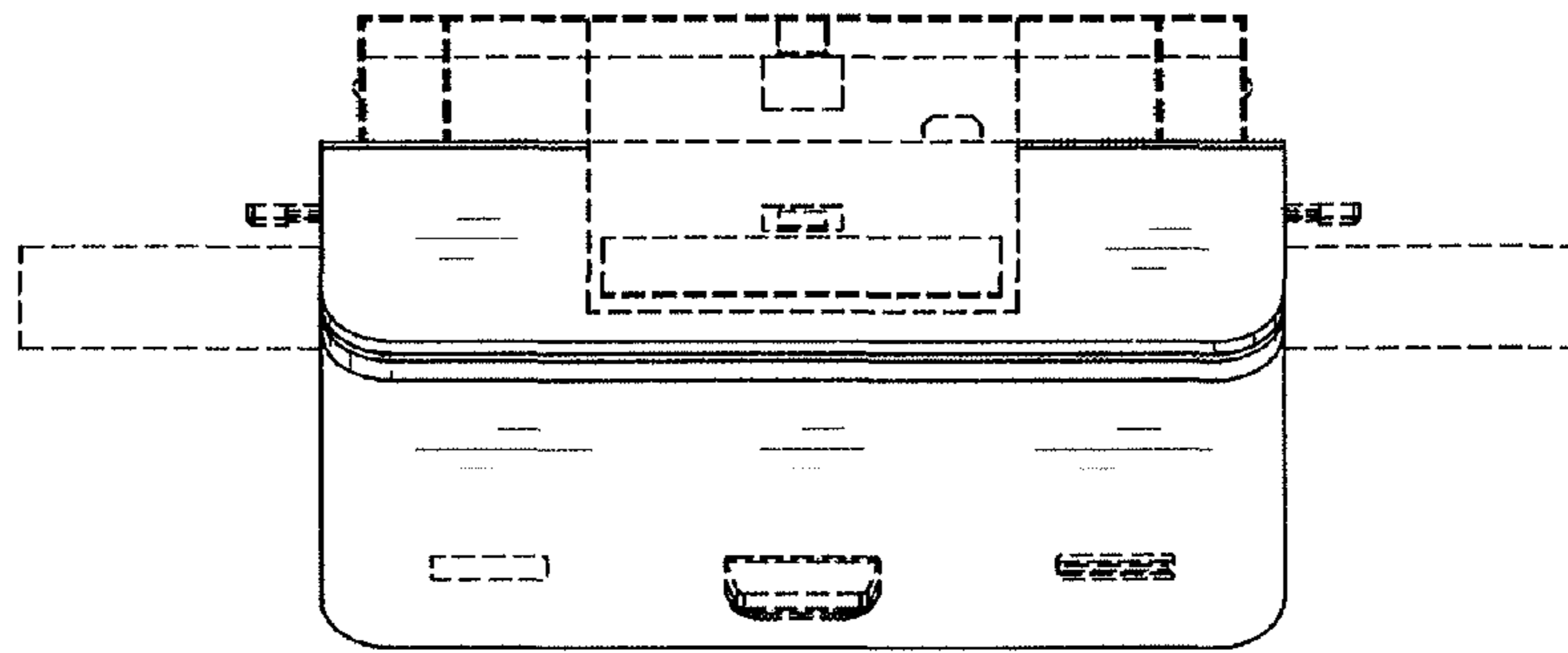


Fig. 5

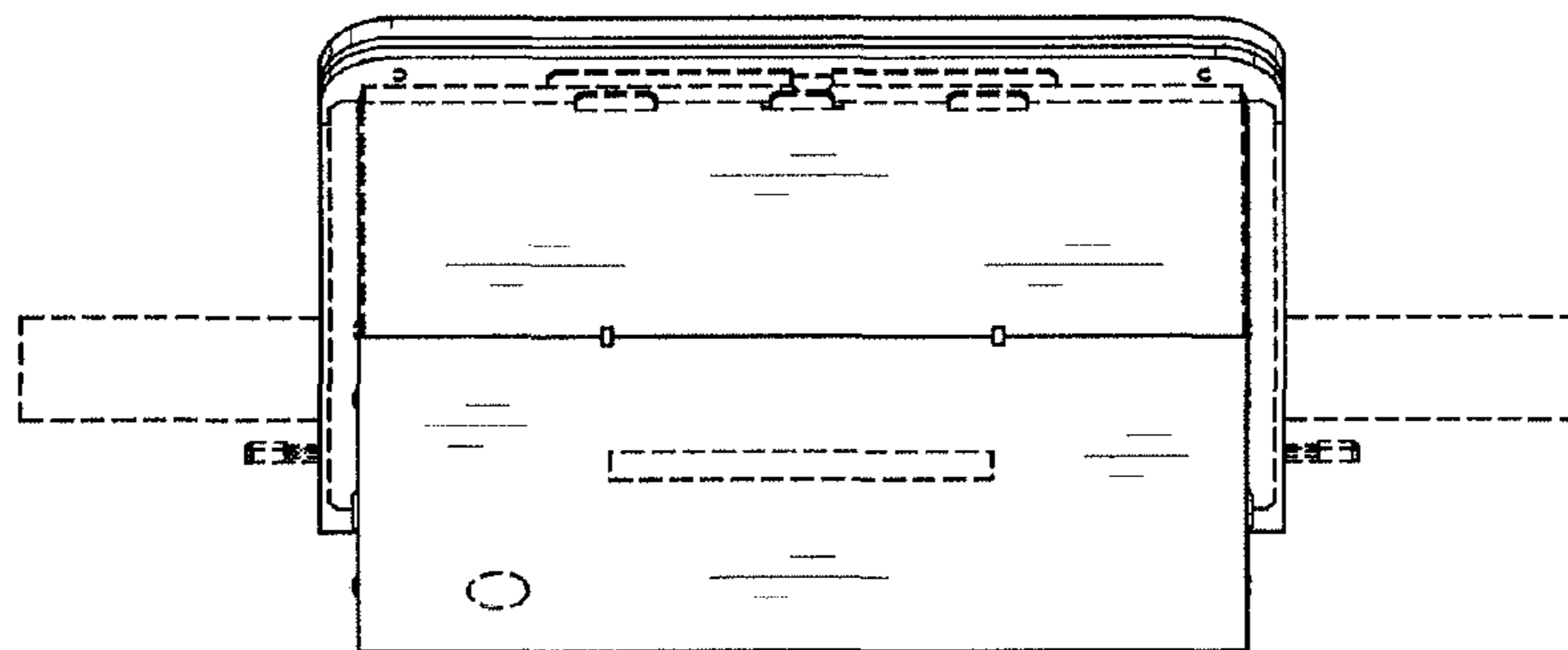


Fig. 6