



US00D727868S

(12) **United States Design Patent**
O'Neill et al.

(10) **Patent No.:** **US D727,868 S**
(45) **Date of Patent:** **** Apr. 28, 2015**

(54) **OPTICAL COMPONENT**

- (71) Applicant: **olloclip, LLC**, Huntington Beach, CA (US)
- (72) Inventors: **Patrick D. O'Neill**, Huntington Beach, CA (US); **Chong Pak**, Lakewood, CA (US)
- (73) Assignee: **olloclip, LLC**, Huntington Beach, CA (US)
- (**) Term: **14 Years**

(21) Appl. No.: **29/473,454**

(22) Filed: **Nov. 21, 2013**

(51) **LOC (10) Cl.** **16-06**

(52) **U.S. Cl.**

USPC **D14/134**

(58) **Field of Classification Search**

CPC **G02B 7/02**

USPC **D16/134, 130, 208; D14/432, 433, 251, D14/240, 358; 359/824, 827, 544, 811; 455/90.3, 575.1, 569.1, 567**

See application file for complete search history.

(56) **References Cited**

U.S. PATENT DOCUMENTS

971,798 A	10/1910	Somdal
D141,692 S	6/1945	Nemeth
2,428,719 A	10/1947	Nemeth
D148,816 S	2/1948	Pemstein
3,090,282 A	5/1963	Angenieux
3,133,140 A	5/1964	Winchell
3,138,060 A	6/1964	Eggert et al.
3,454,323 A	7/1969	Dierks et al.
3,620,149 A	11/1971	Ogihara

(Continued)

FOREIGN PATENT DOCUMENTS

CN 1797169 A 7/2006
CN 201173987 Y 12/2008

(Continued)

OTHER PUBLICATIONS

Design U.S. Appl. No. 29/452,461, filed Apr. 16, 2013, O'Neill et al.
(Continued)

Primary Examiner — Paula Greene

(74) *Attorney, Agent, or Firm* — Knobbe, Martens, Olson & Bear, LLP

(57) **CLAIM**

The ornamental design for an optical component, as shown and described.

DESCRIPTION

FIG. 1 is a front, top, right side perspective view of an optical component;

FIG. 2 is a back, bottom, and left side perspective view thereof;

FIG. 3 is a right side elevation view thereof;

FIG. 4 is a left side elevation view thereof;

FIG. 5 is a front side elevation view thereof;

FIG. 6 is a back side elevation view thereof;

FIG. 7 is a top plan view thereof;

FIG. 8 is a bottom plan view thereof;

FIG. 9 is a front, top, and right side perspective view of another embodiment of an optical component;

FIG. 10 is a back, bottom, and left side perspective view thereof;

FIG. 11 is a right side elevation view thereof;

FIG. 12 is a left side elevation view thereof;

FIG. 13 is a front side elevation view thereof;

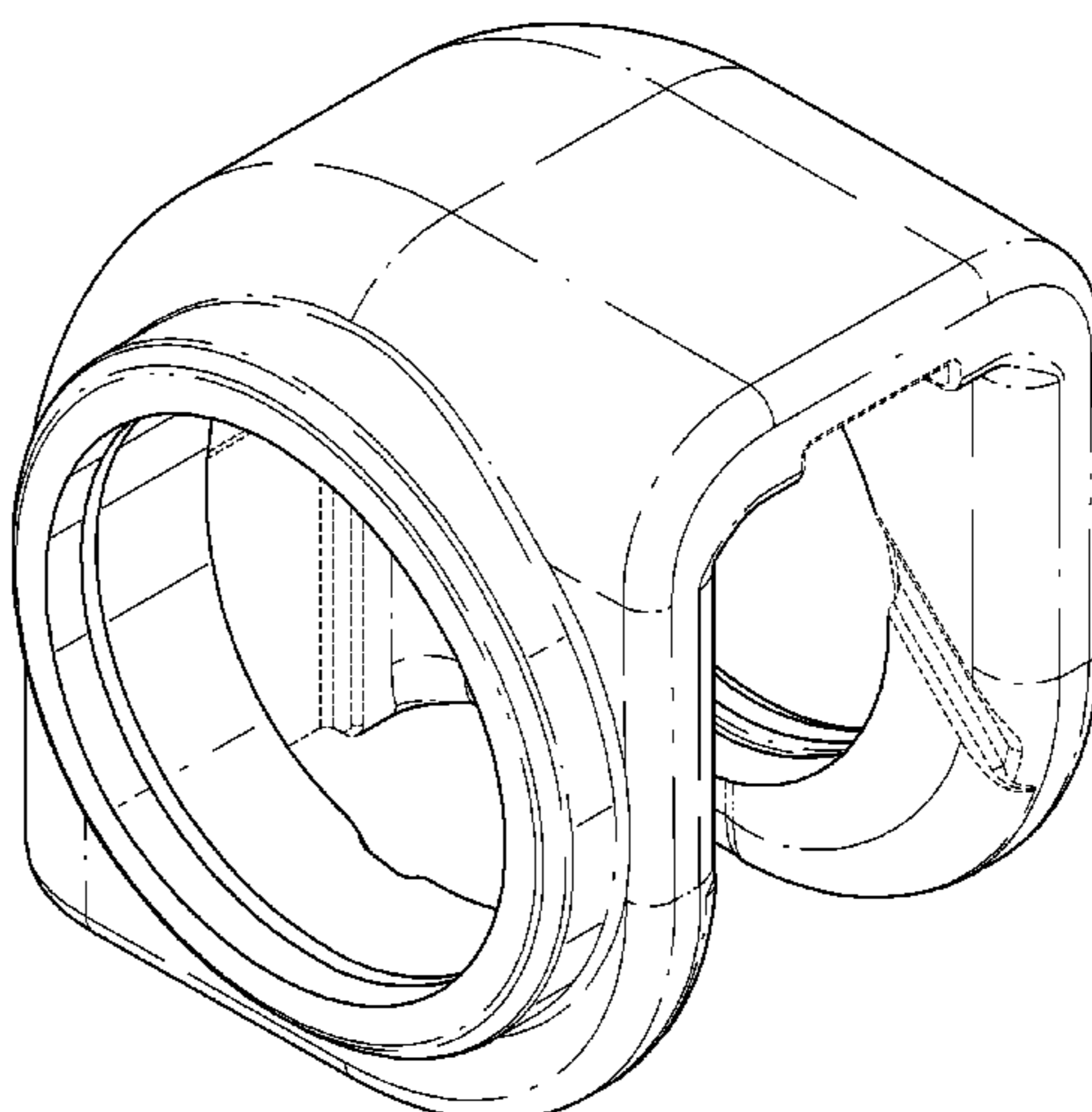
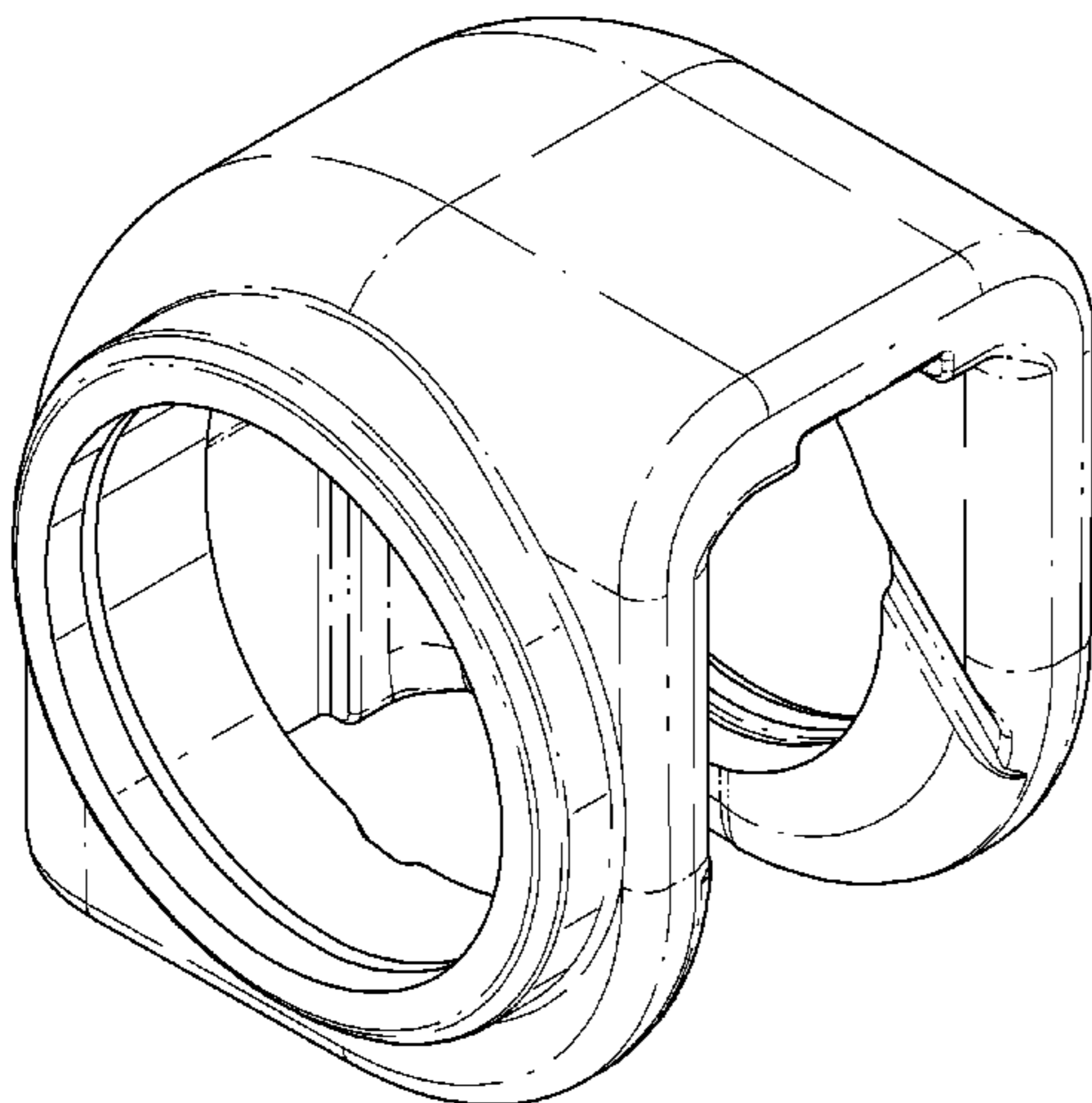
FIG. 14 is a back side elevation view thereof;

FIG. 15 is a top plan view thereof; and,

FIG. 16 is a bottom plan view thereof.

The features illustrated in phantom line form no part of the claimed design.

1 Claim, 16 Drawing Sheets



(56)

References Cited

U.S. PATENT DOCUMENTS

3,680,461 A 8/1972 Amesbury et al.
 3,796,489 A 3/1974 Sone et al.
 3,817,601 A 6/1974 Colaiace et al.
 3,828,991 A 8/1974 Moore
 D234,007 S 12/1974 Ritter
 D248,160 S 6/1978 Feinbloom et al.
 4,264,167 A 4/1981 Plummer
 4,305,386 A 12/1981 Tawara
 D264,048 S 4/1982 Magner
 D274,336 S 6/1984 Huckenbeck
 D274,691 S 7/1984 Wallace
 D275,766 S 10/1984 Suzuki
 D295,871 S 5/1988 Charles
 4,760,510 A 7/1988 Lahti
 4,864,333 A 9/1989 Barber
 4,893,143 A 1/1990 Sheng-Huei
 5,050,963 A 9/1991 Murakami
 5,054,886 A 10/1991 Ozaki et al.
 5,311,358 A 5/1994 Pederson et al.
 5,416,544 A 5/1995 Stapleton
 5,455,711 A 10/1995 Palmer
 D374,878 S 10/1996 Palmer
 D387,787 S 12/1997 Palmer
 5,831,778 A 11/1998 Chueh
 6,545,825 B2 4/2003 Shoji et al.
 6,752,516 B1 6/2004 Beadle
 6,889,006 B2 5/2005 Kobayashi
 D546,863 S 7/2007 Ito et al.
 D560,702 S 1/2008 Tokiwa et al.
 7,600,932 B2 10/2009 Senba et al.
 7,604,423 B2 10/2009 Nagata et al.

7,639,353 B2 12/2009 Rooke
 7,967,513 B2 6/2011 Zhang
 8,000,589 B2 8/2011 Chan
 8,040,621 B2 10/2011 Chang et al.
 D649,970 S 12/2011 Lyford et al.
 8,073,324 B2 12/2011 Tsai
 8,279,544 B1 10/2012 O'Neill
 D678,379 S 3/2013 O'Neill et al.
 D686,265 S * 7/2013 O'Neill et al. D16/134
 8,508,868 B2 8/2013 Weber et al.
 D695,295 S * 12/2013 Chumanov et al. D14/433
 D697,957 S * 1/2014 Glasse et al. D16/134
 D697,958 S * 1/2014 O'Neill et al. D16/134
 D700,228 S * 2/2014 O'Neill et al. D16/134
 2005/0088612 A1 4/2005 Smith et al.
 2007/0053682 A1 3/2007 Chang
 2007/0275763 A1 11/2007 Sawadski et al.
 2007/0280677 A1 12/2007 Drake et al.
 2009/0109558 A1 4/2009 Schaefer
 2009/0181729 A1 7/2009 Griffin, Jr. et al.
 2010/0048243 A1 2/2010 Fourquin et al.
 2010/0328420 A1 12/2010 Roman
 2011/0110654 A1 5/2011 Maki

FOREIGN PATENT DOCUMENTS

JP 2006 251150 9/2006
 JP 2007 206137 8/2007
 WO WO 2006 002674 1/2006

OTHER PUBLICATIONS

Design U.S. Appl. No. 29/435,906, filed Oct. 30, 2013, O'Neill et al.

* cited by examiner

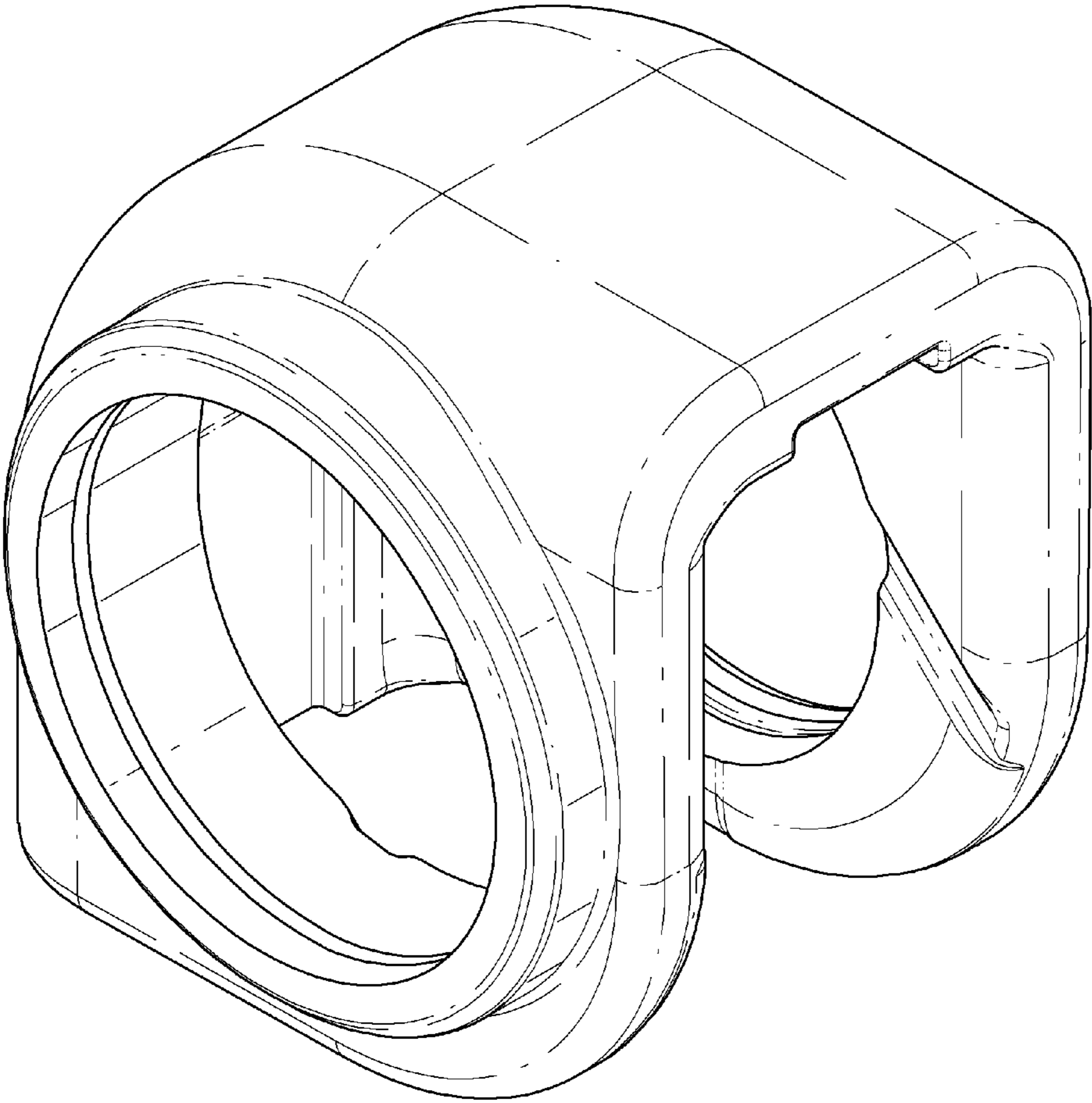


FIG. 1

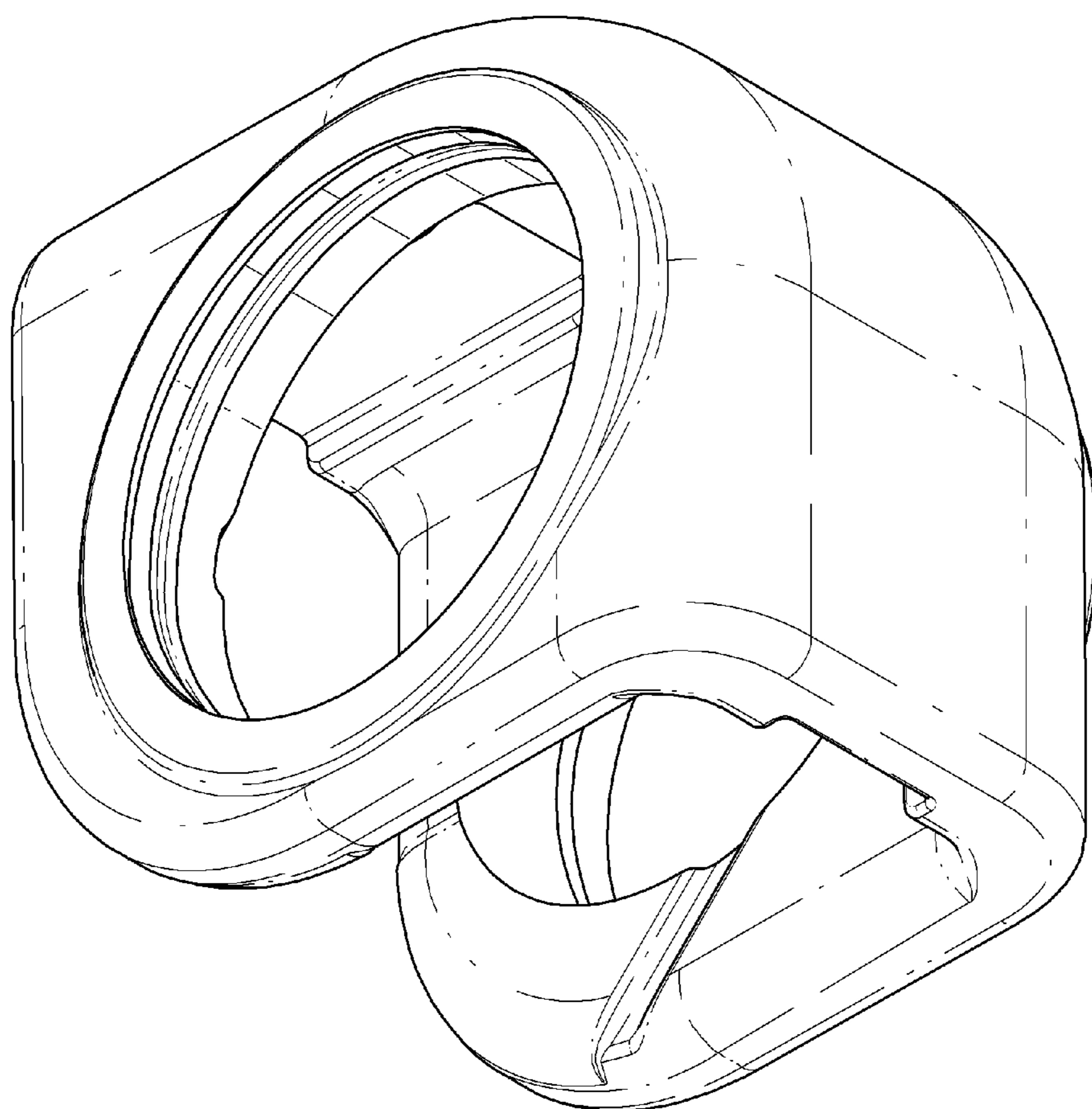


FIG. 2

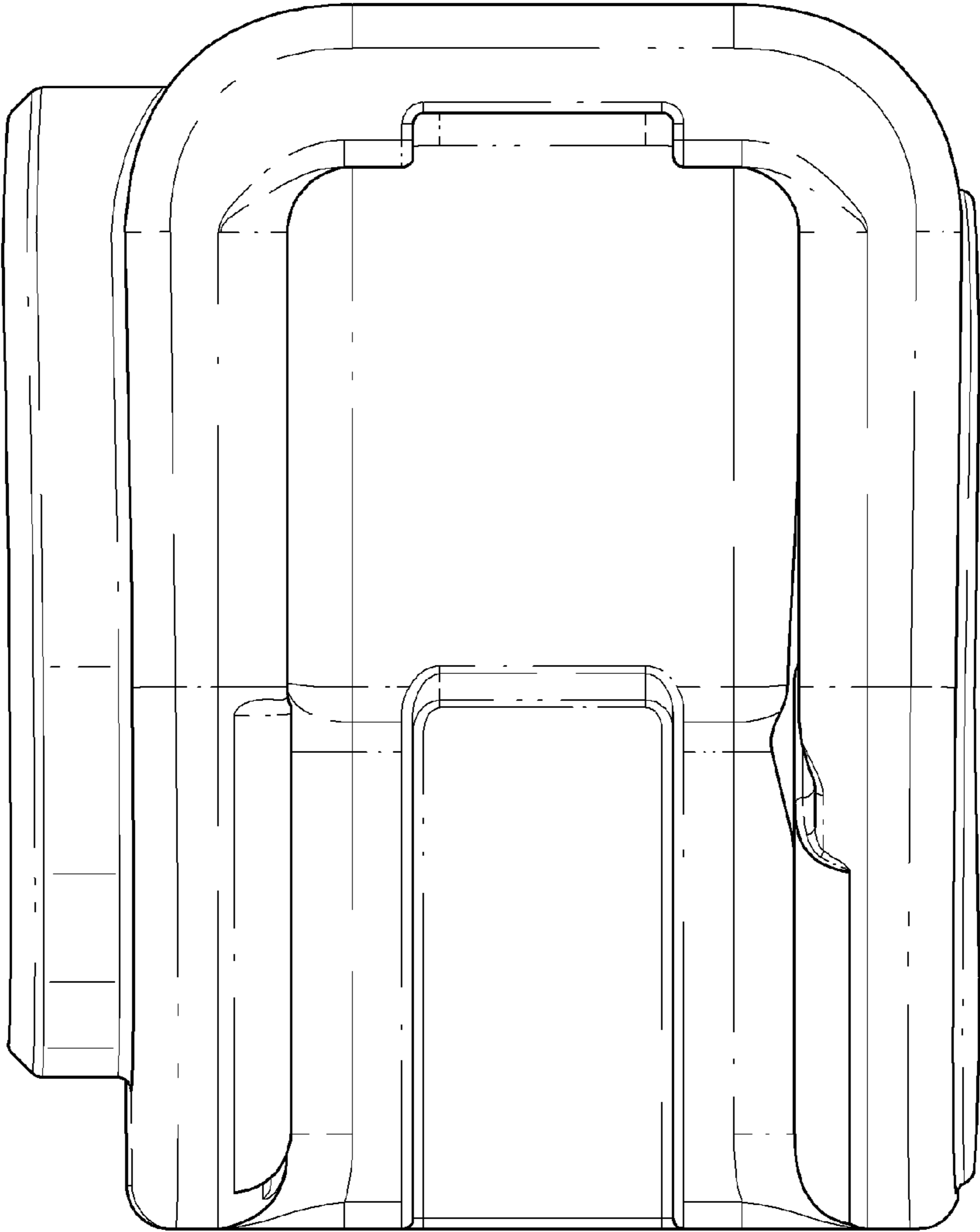


FIG. 3

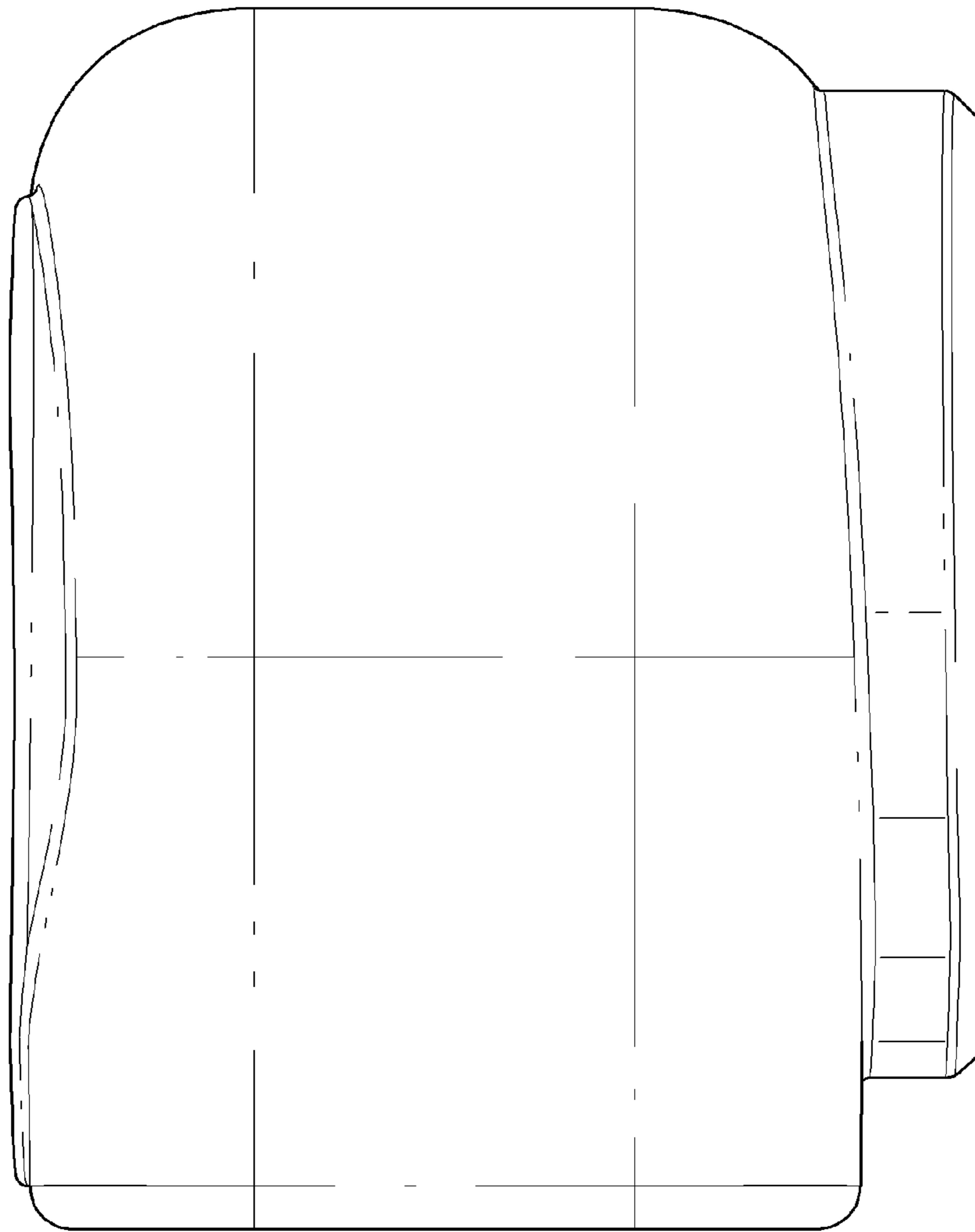


FIG. 4

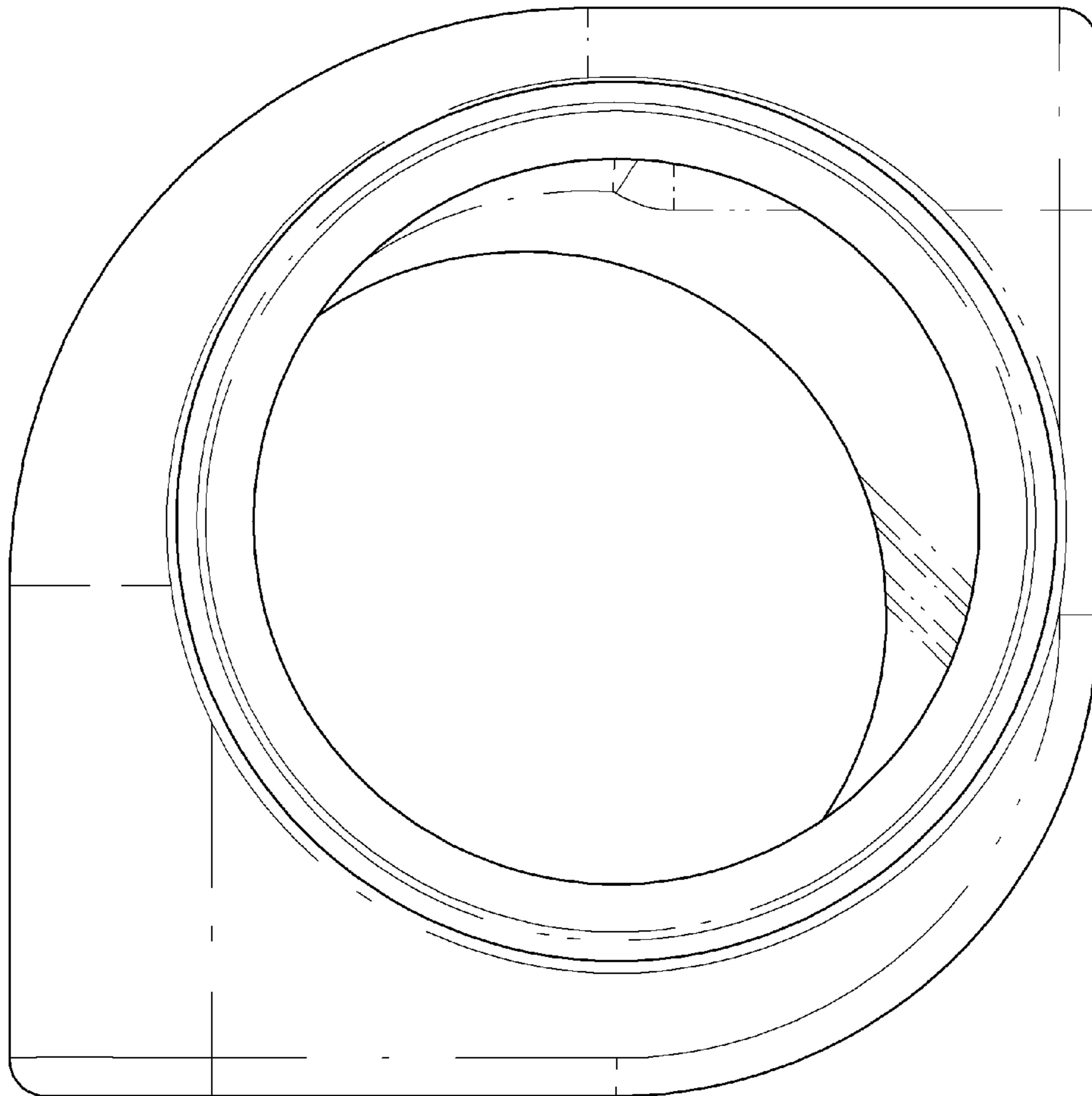


FIG. 5

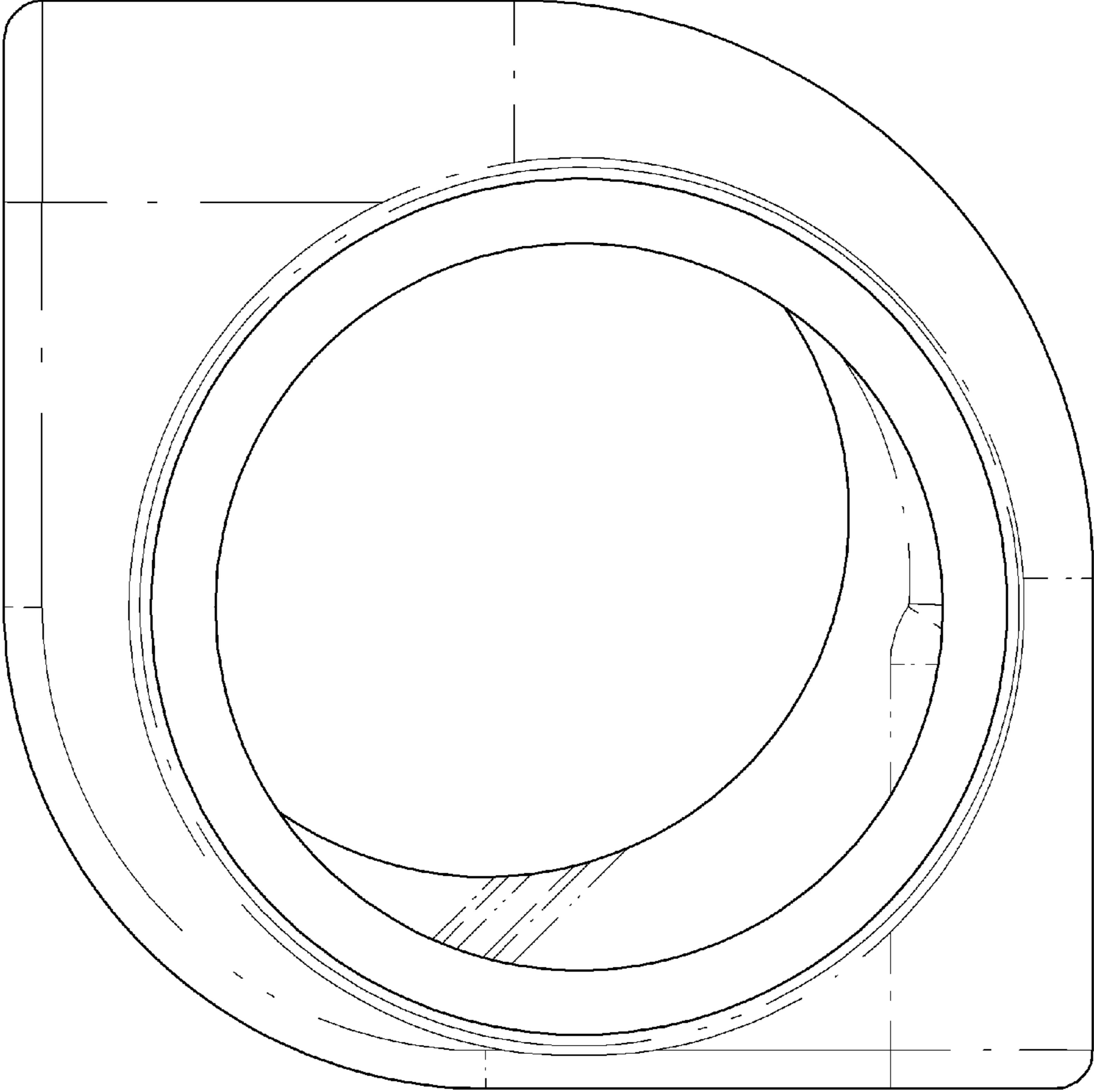


FIG. 6

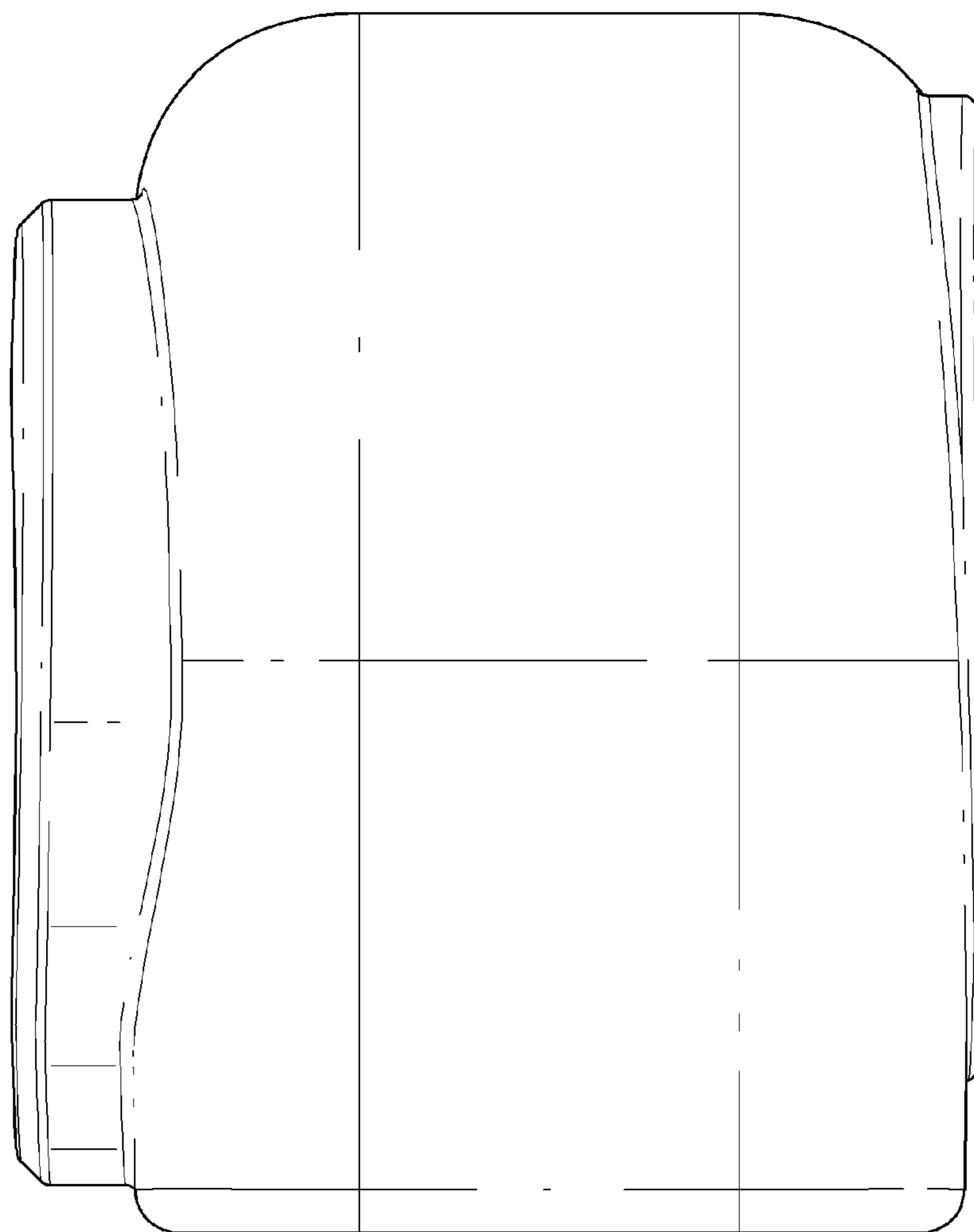


FIG. 7

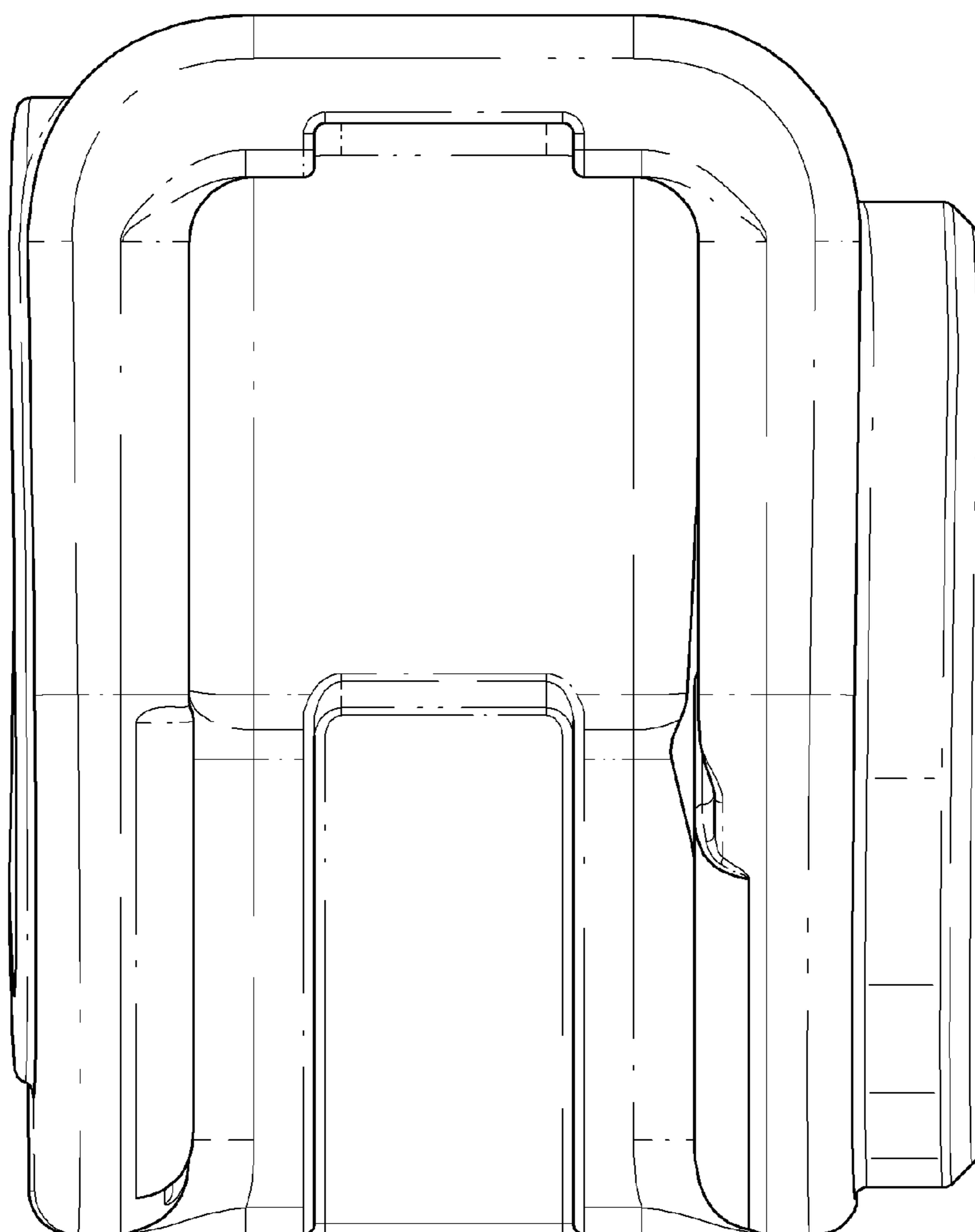


FIG. 8

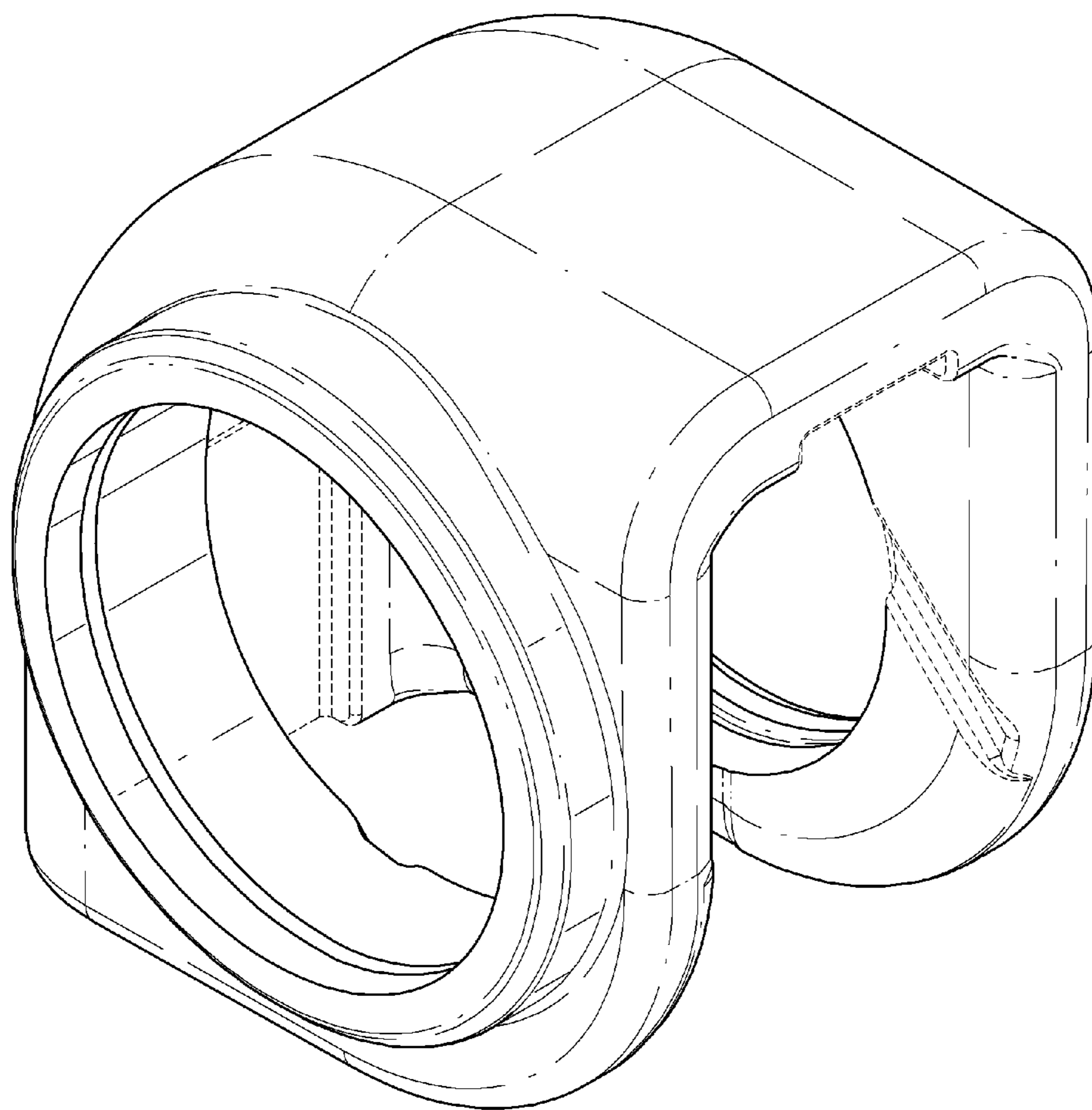


FIG. 9

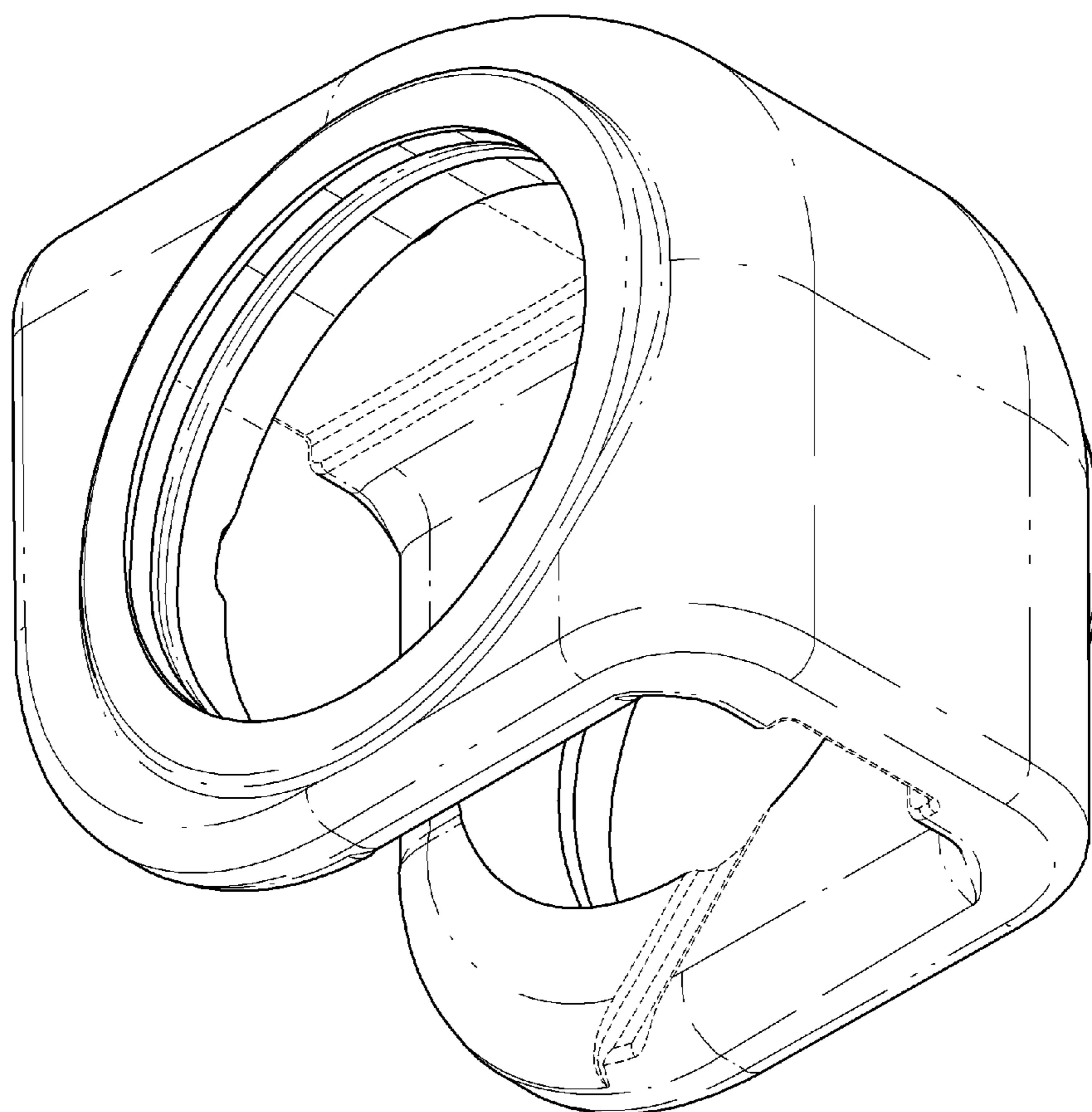


FIG. 10

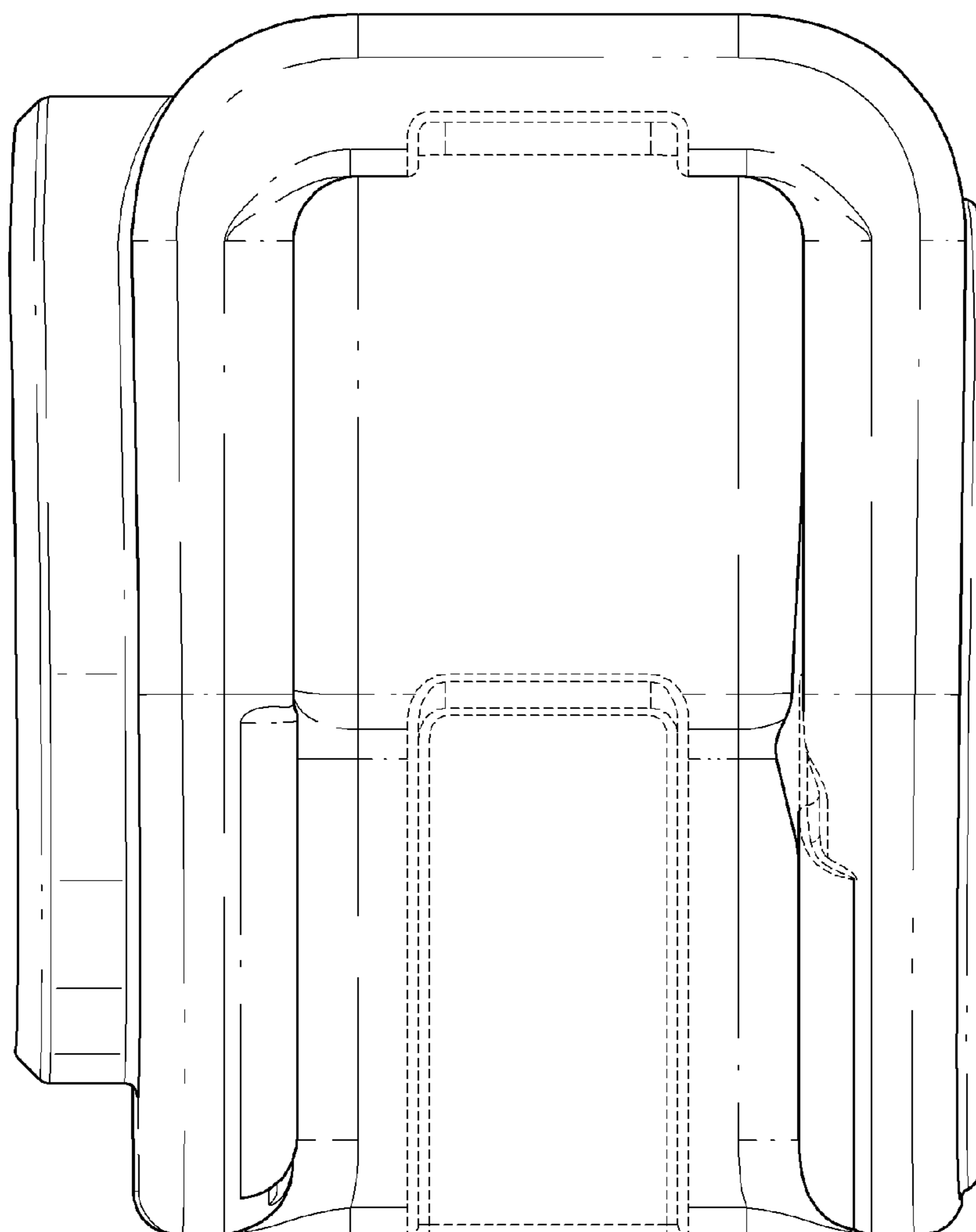


FIG. 11

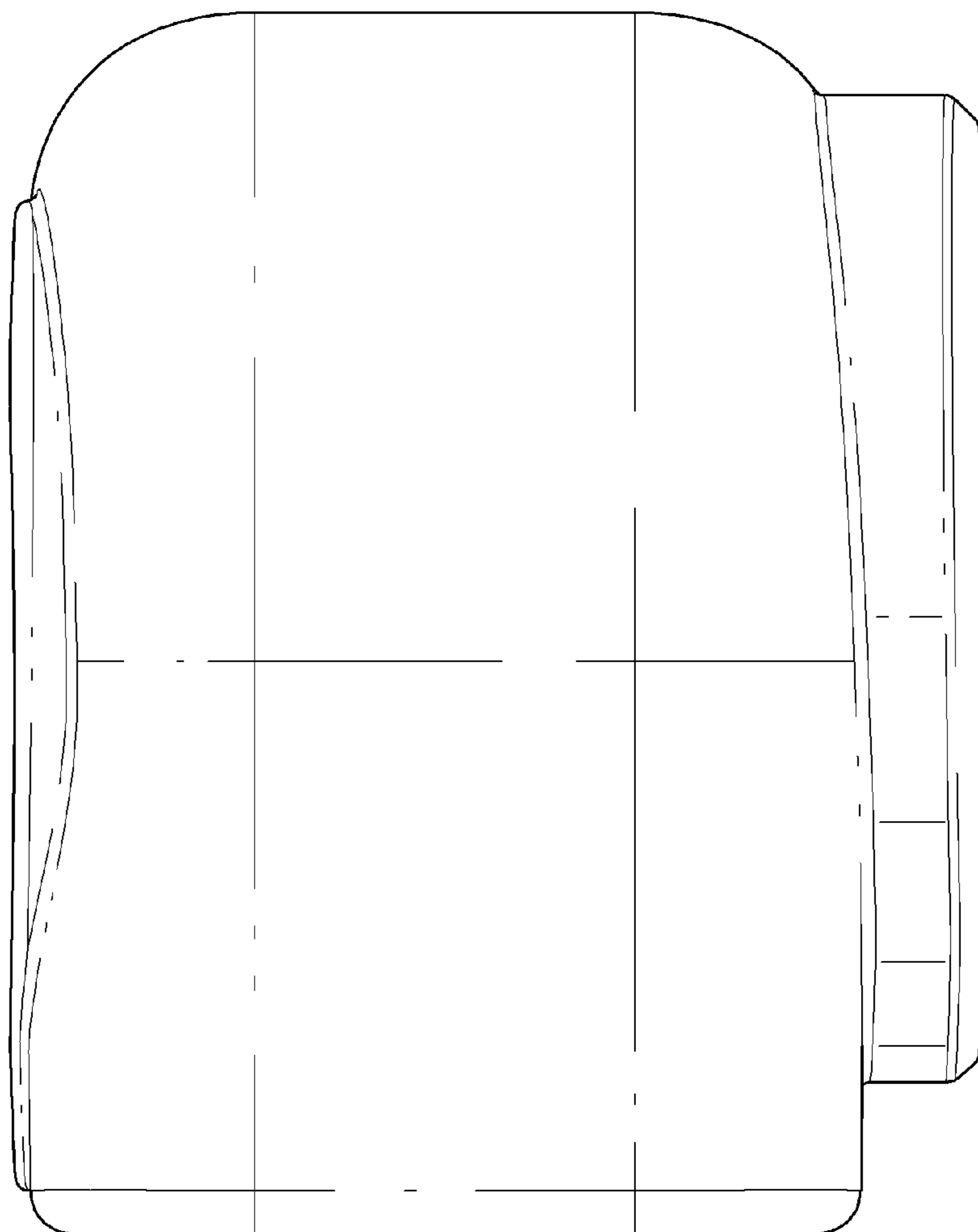


FIG. 12

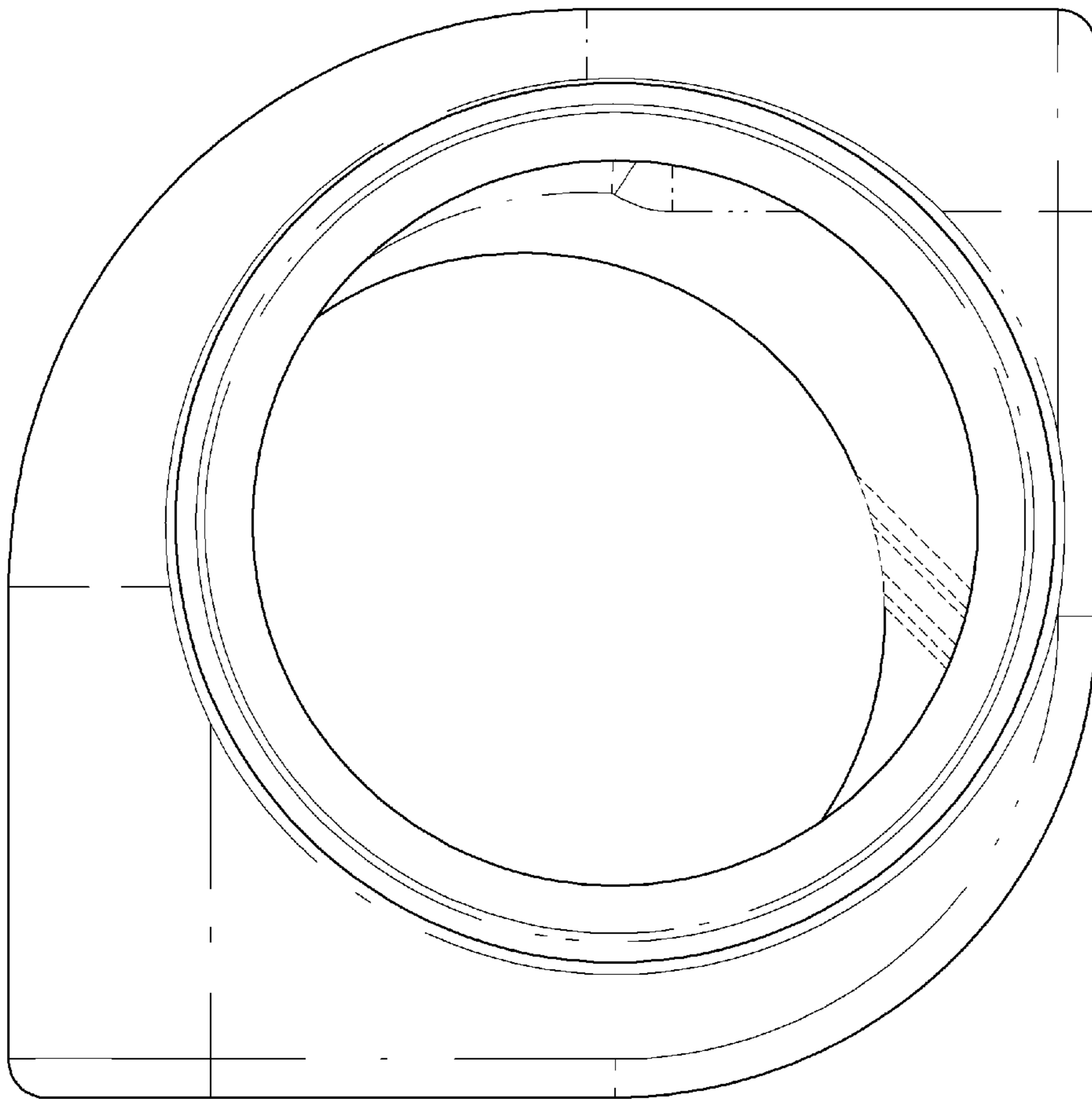


FIG. 13

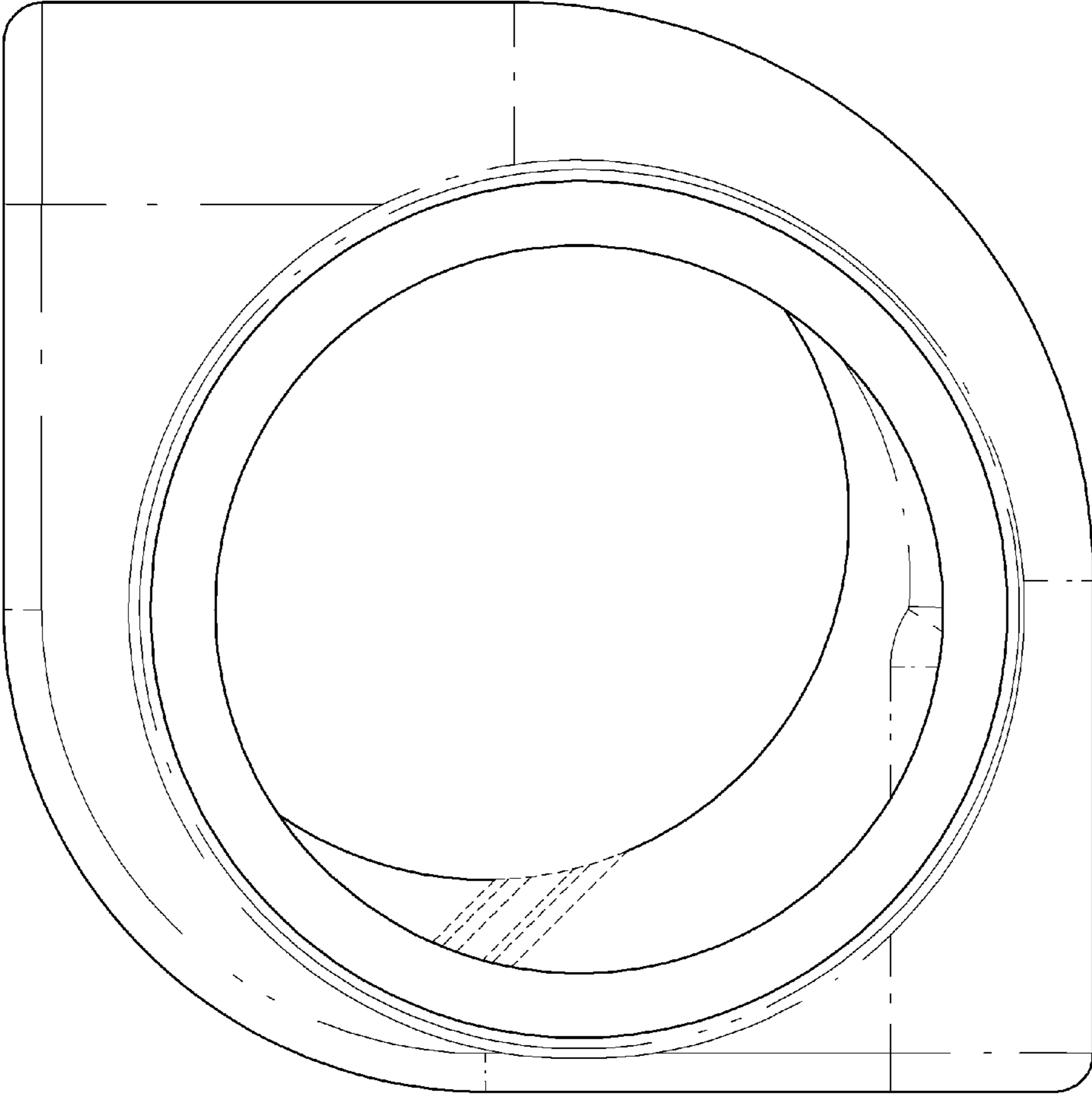


FIG. 14

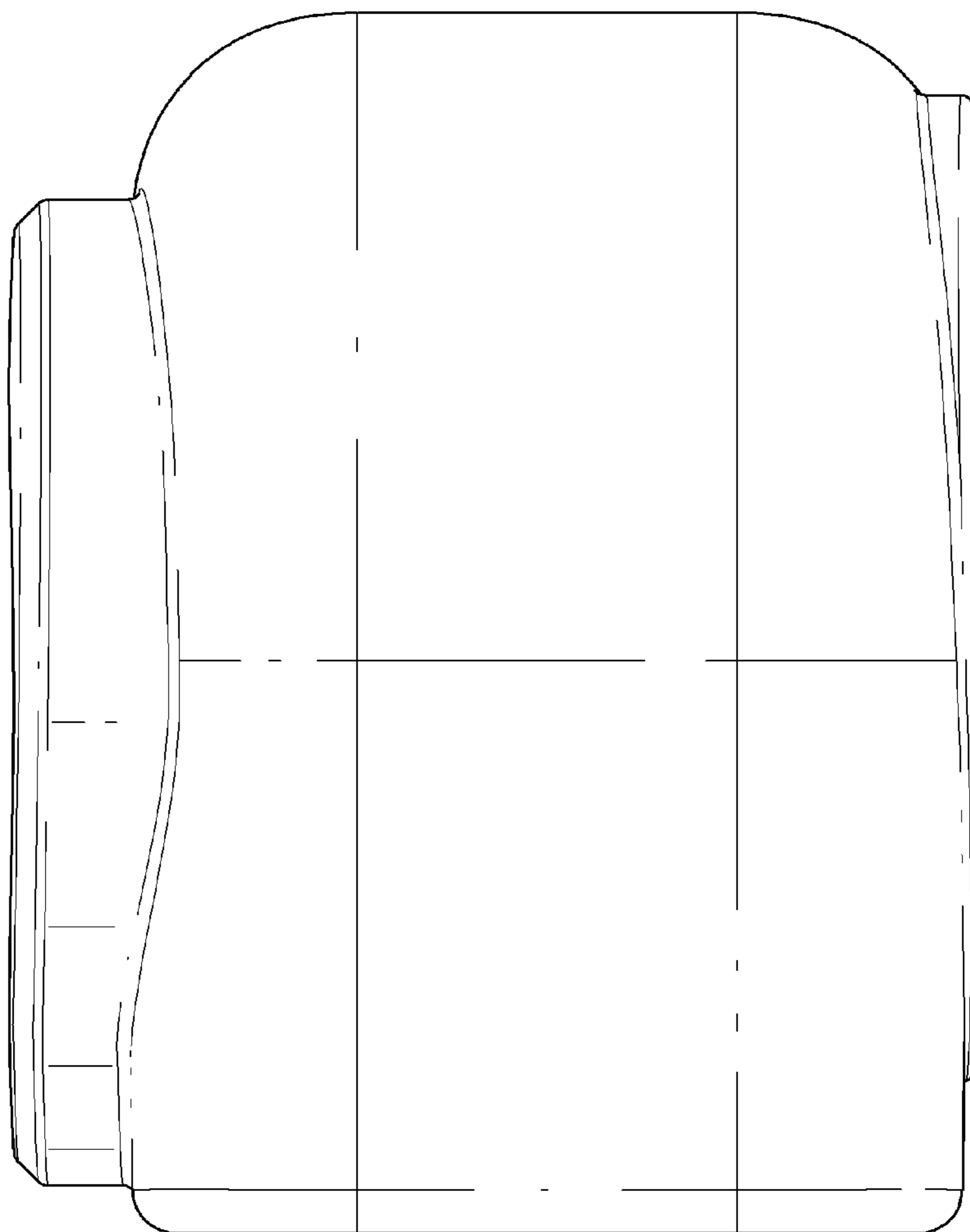


FIG. 15

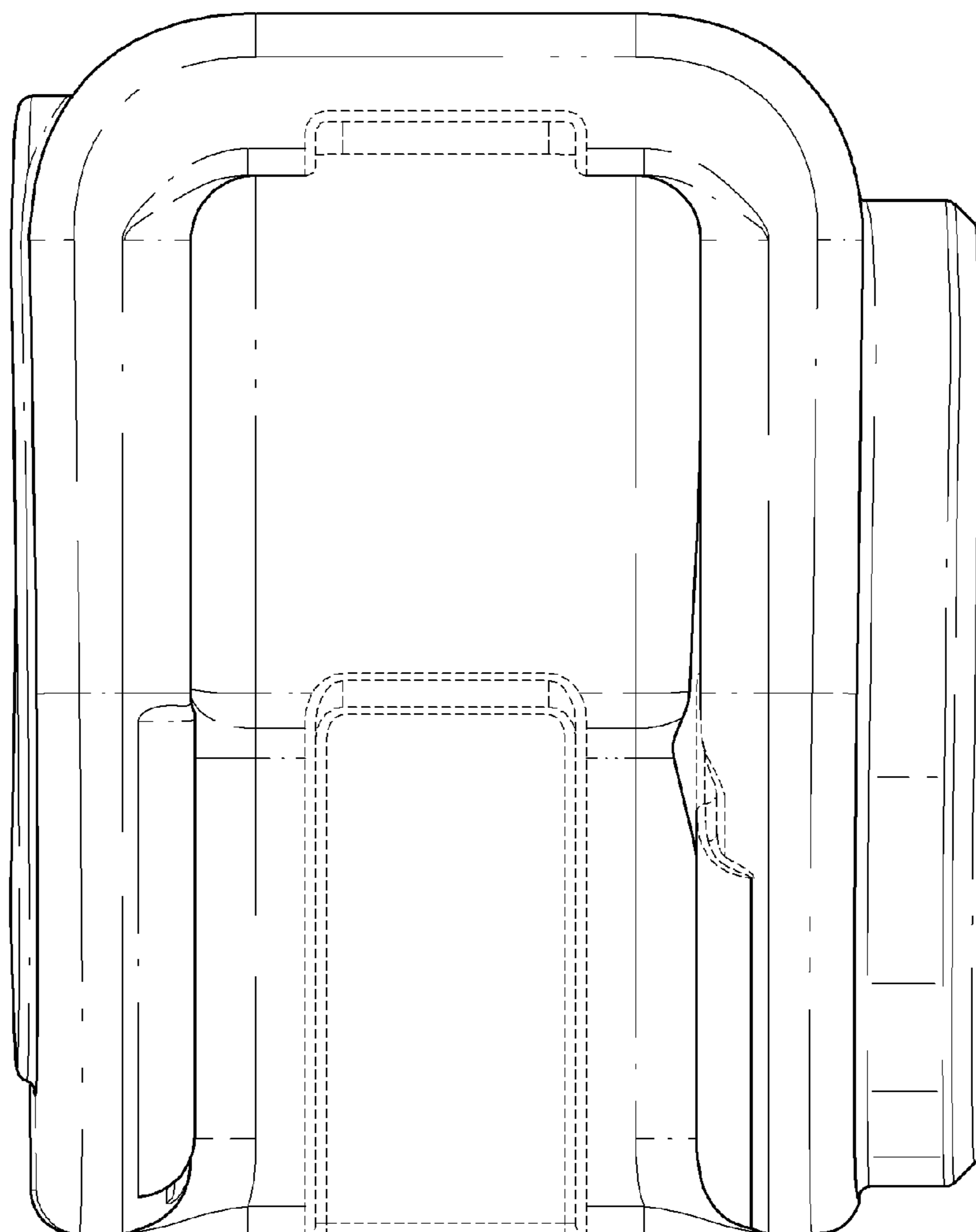


FIG. 16