



US00D727865S

(12) **United States Design Patent**  
**Moon**

(10) **Patent No.:** **US D727,865 S**  
(45) **Date of Patent:** **\*\* Apr. 28, 2015**

(54) **TV RECEIVER**

(71) Applicant: **Samsung Electronics Co., Ltd.**,  
Suwon-si (KR)

(72) Inventor: **Sinwi Moon**, Seogwipo-si (KR)

(73) Assignee: **Samsung Electronics Co., Ltd.**,  
Suwon-si (KR)

(\*\*) Term: **14 Years**

(21) Appl. No.: **29/496,454**

(22) Filed: **Jul. 14, 2014**

(30) **Foreign Application Priority Data**

Feb. 10, 2014 (KR) ..... 30-2014-0006515

(51) **LOC (10) Cl.** ..... **14-03**

(52) **U.S. Cl.**  
USPC ..... **D14/126**

(58) **Field of Classification Search**

CPC ... G06F 1/1601; G06F 1/1643; H05K 5/0004;  
H05K 5/0017; H05K 5/02; H05K 5/0217  
USPC ..... D14/125-134, 239, 371, 136, 374-377,  
D14/440, 450, 448, 336, 342, 159; 312/7.2;  
348/836, 838, 180, 184, 325, 739;  
248/917-924, 465; 345/104, 133, 156,  
345/168, 87, 173; D21/329, 515, 577, 622,  
D21/333, 433, 448, 452, 450, 331, 505;  
D10/15, 26; 446/484, 175, 356;  
D6/477, 479, 300; D24/185; D34/14

See application file for complete search history.

(56) **References Cited**

U.S. PATENT DOCUMENTS

D494,165 S *	8/2004	Yokota .....	D14/341
D547,740 S *	7/2007	Otani .....	D14/126
D619,553 S *	7/2010	Katsumata .....	D14/126
D655,684 S *	3/2012	Kim et al. ....	D14/126
D699,205 S *	2/2014	Kim et al. ....	D14/126
D717,257 S *	11/2014	Kim et al. ....	D14/126

\* cited by examiner

*Primary Examiner* — Raphael Barkai

(74) *Attorney, Agent, or Firm* — NSIP Law

(57) **CLAIM**

I claim the ornamental design for a TV receiver, as shown and described.

**DESCRIPTION**

FIG. 1 is a front perspective view of a TV receiver showing my new design;

FIG. 2 is a front view thereof;

FIG. 3 is a rear view thereof;

FIG. 4 is a left-side view thereof;

FIG. 5 is a right-side view thereof;

FIG. 6 is a top view thereof;

FIG. 7 is a bottom view thereof;

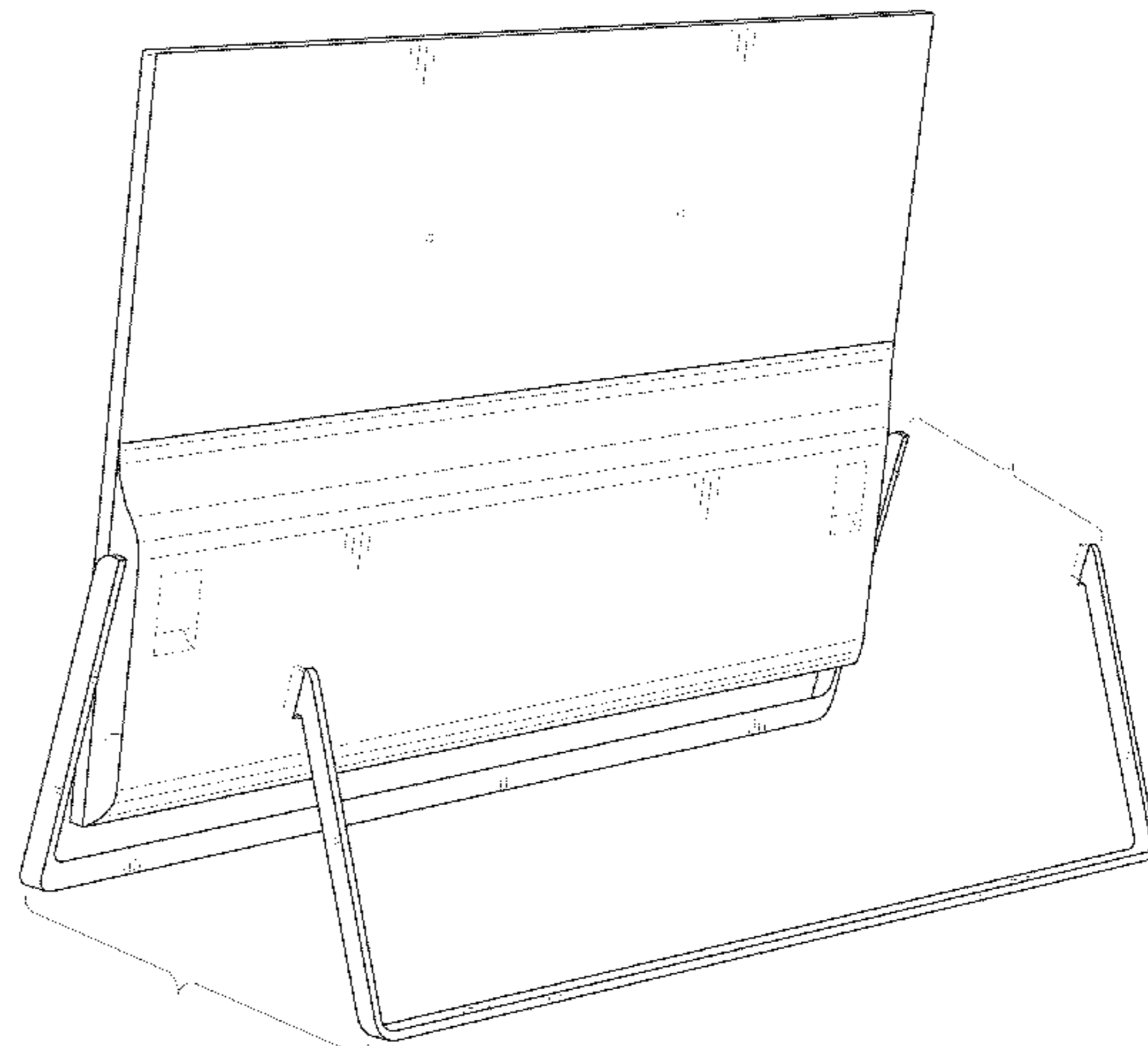
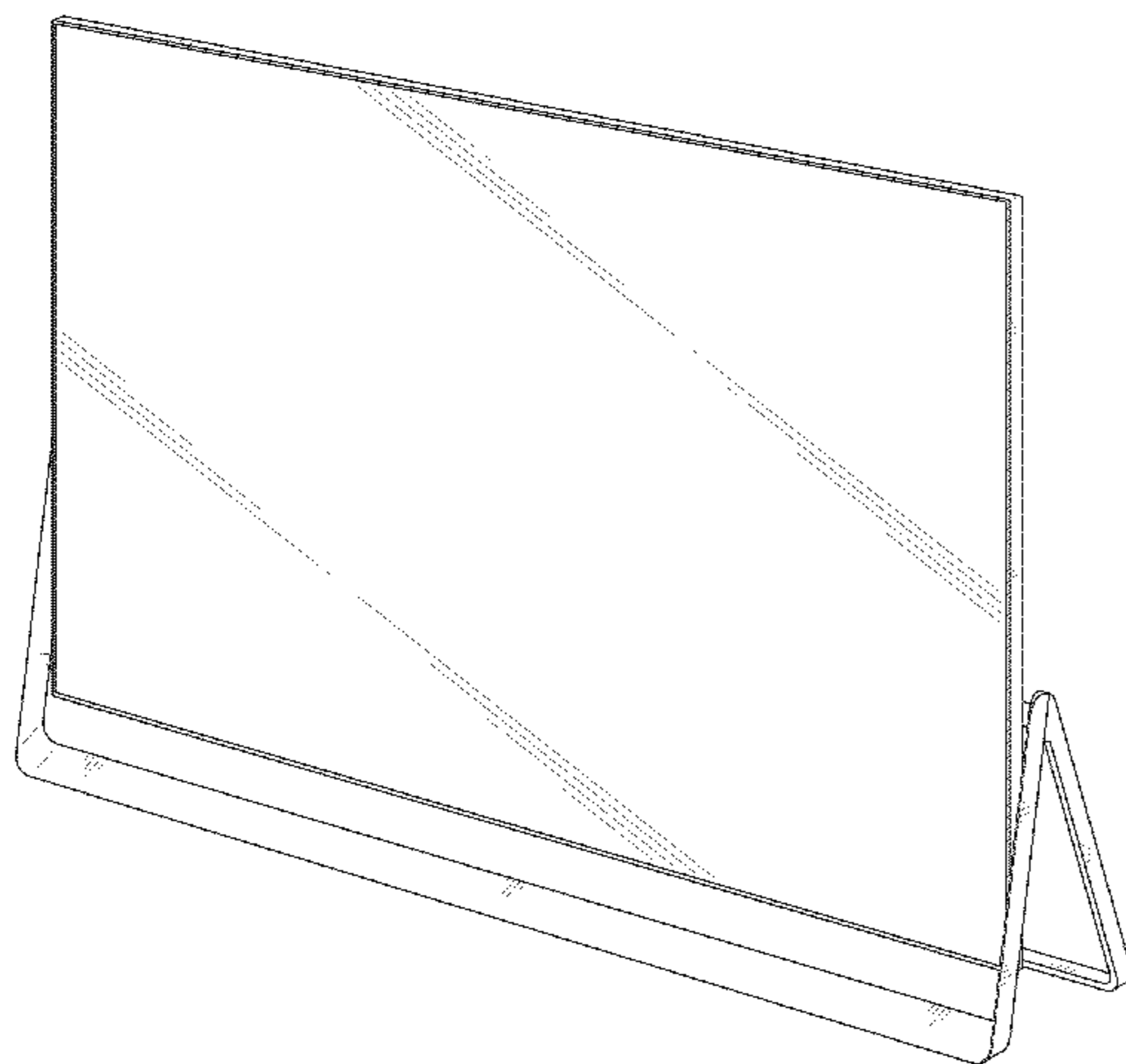
FIG. 8 is a rear perspective view thereof;

FIG. 9 is an exploded rear perspective view thereof; and,

FIG. 10 is another front perspective view, in which the back stand has been removed.

The broken lines in the figures show portions of the TV receiver which form no part of the claimed design.

**1 Claim, 10 Drawing Sheets**



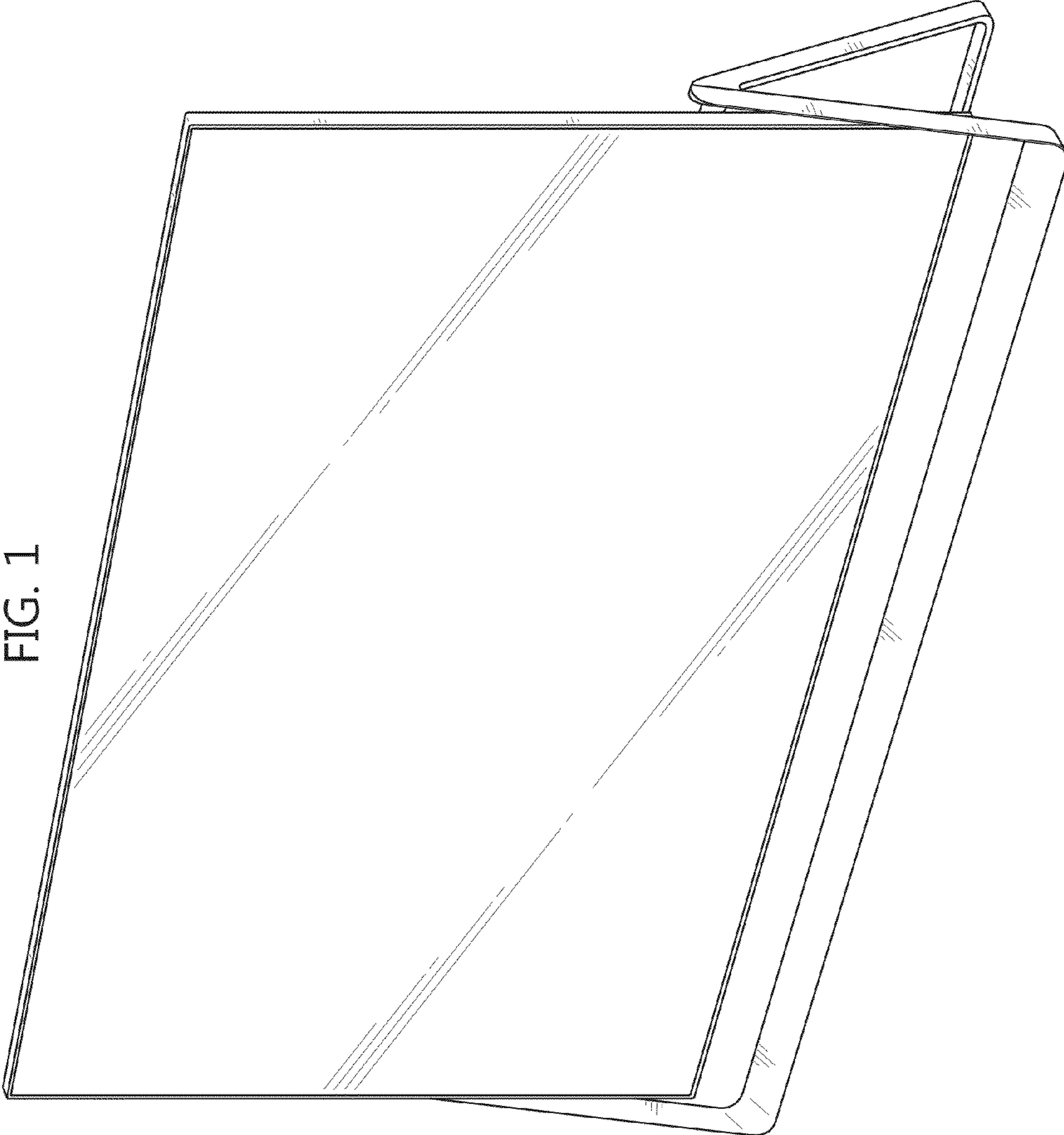


FIG. 1

FIG. 2

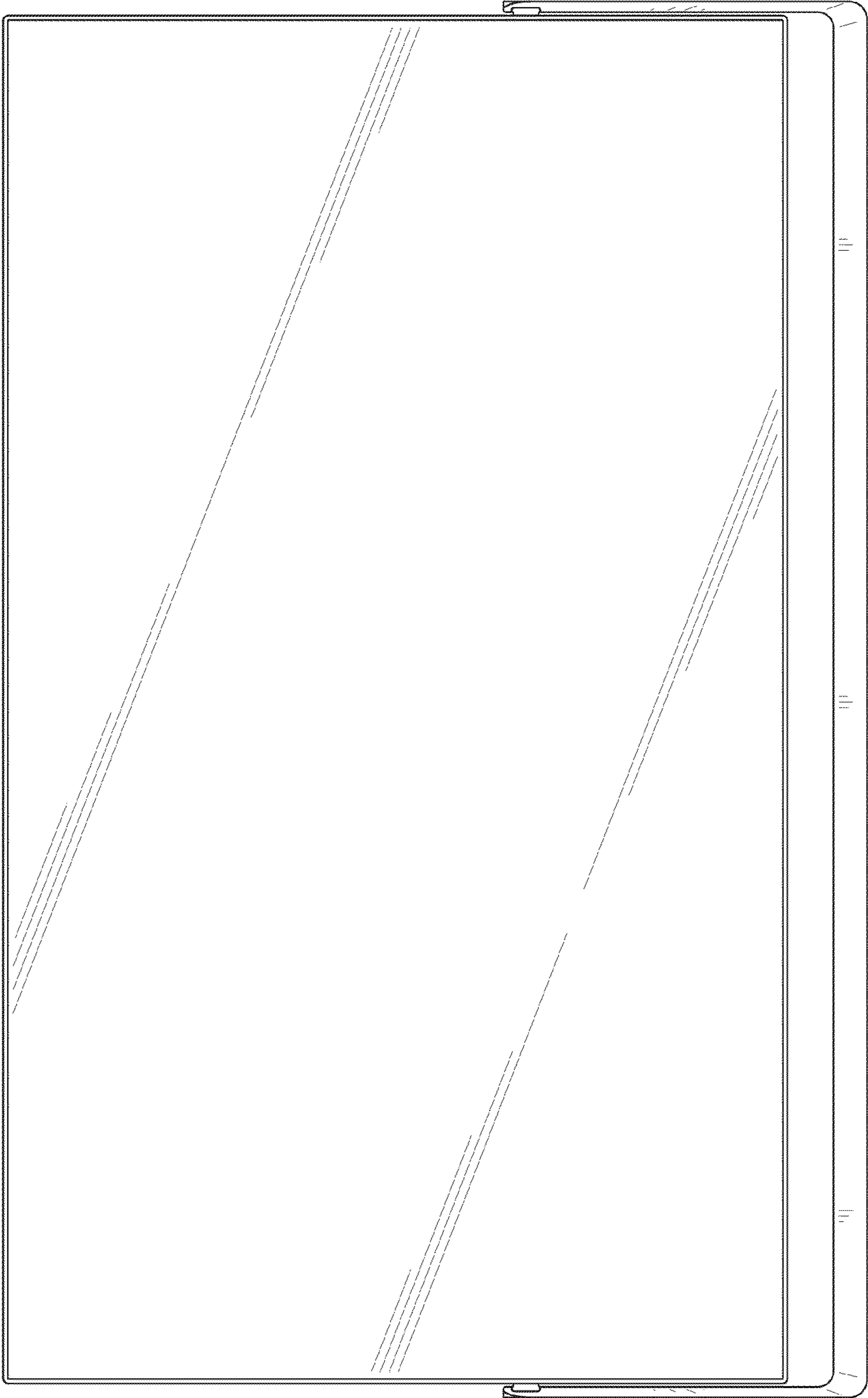
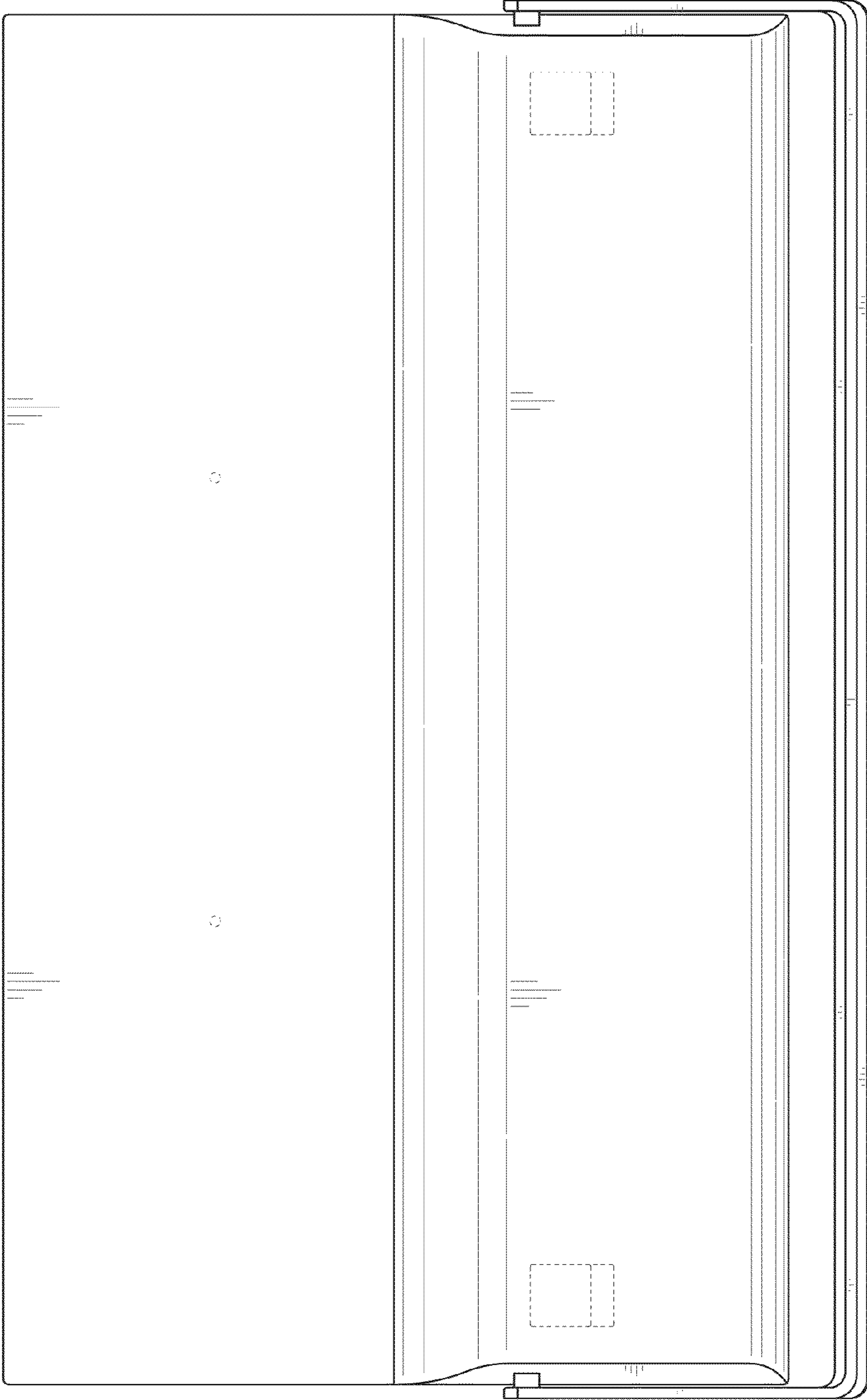


FIG. 3



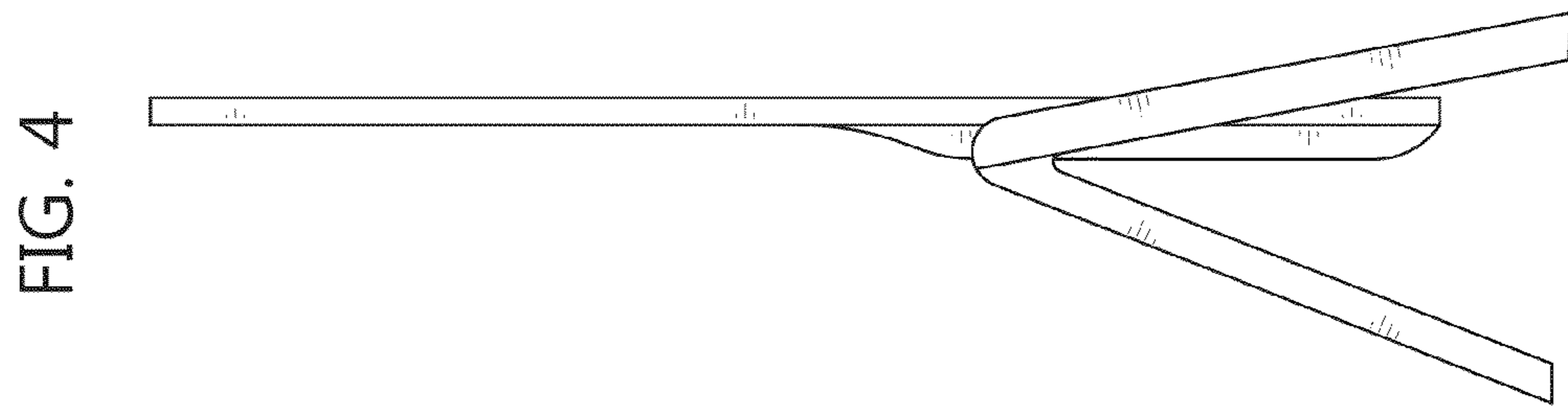


FIG. 5

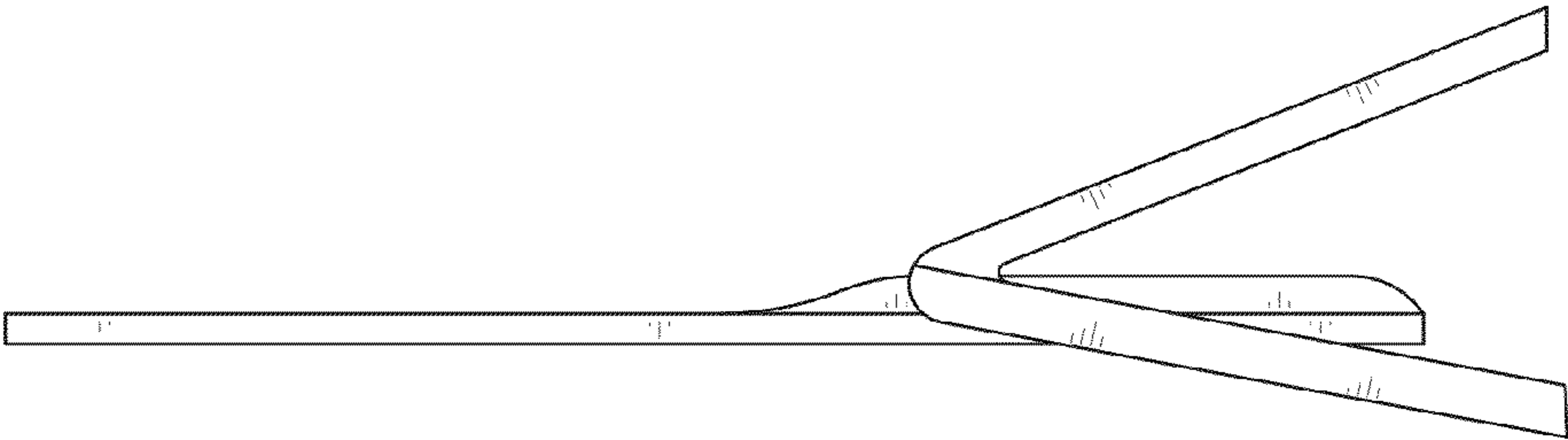


FIG. 6

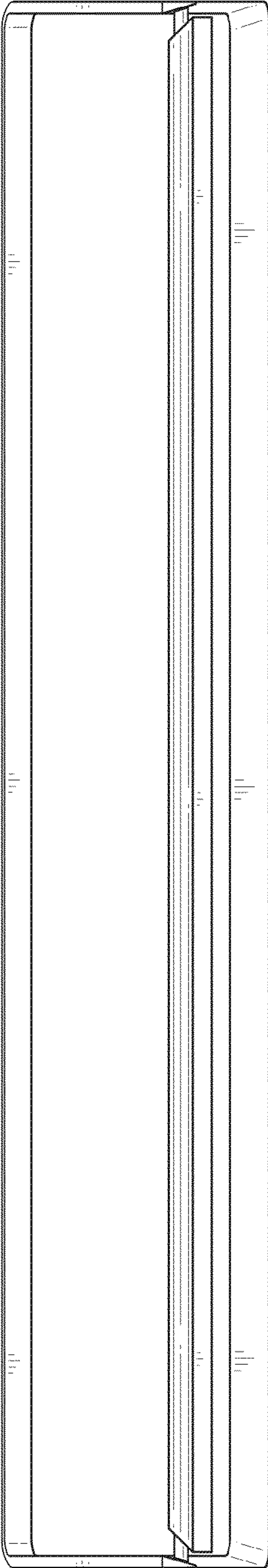


FIG. 7

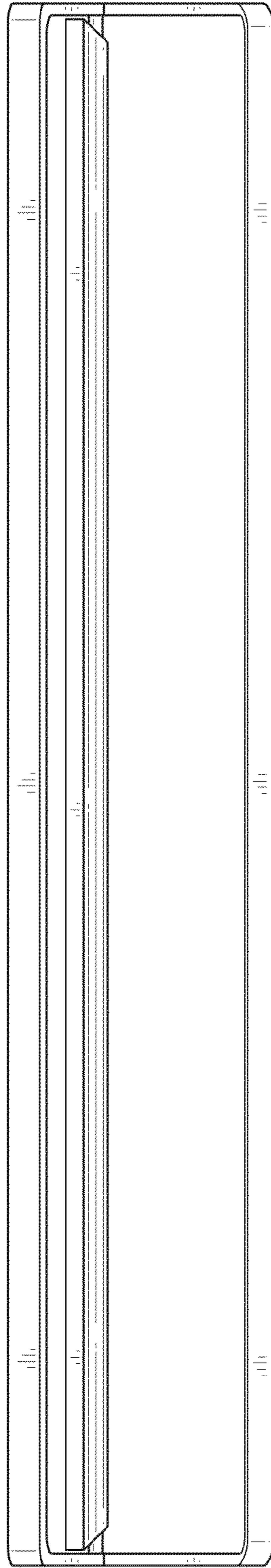




FIG. 8

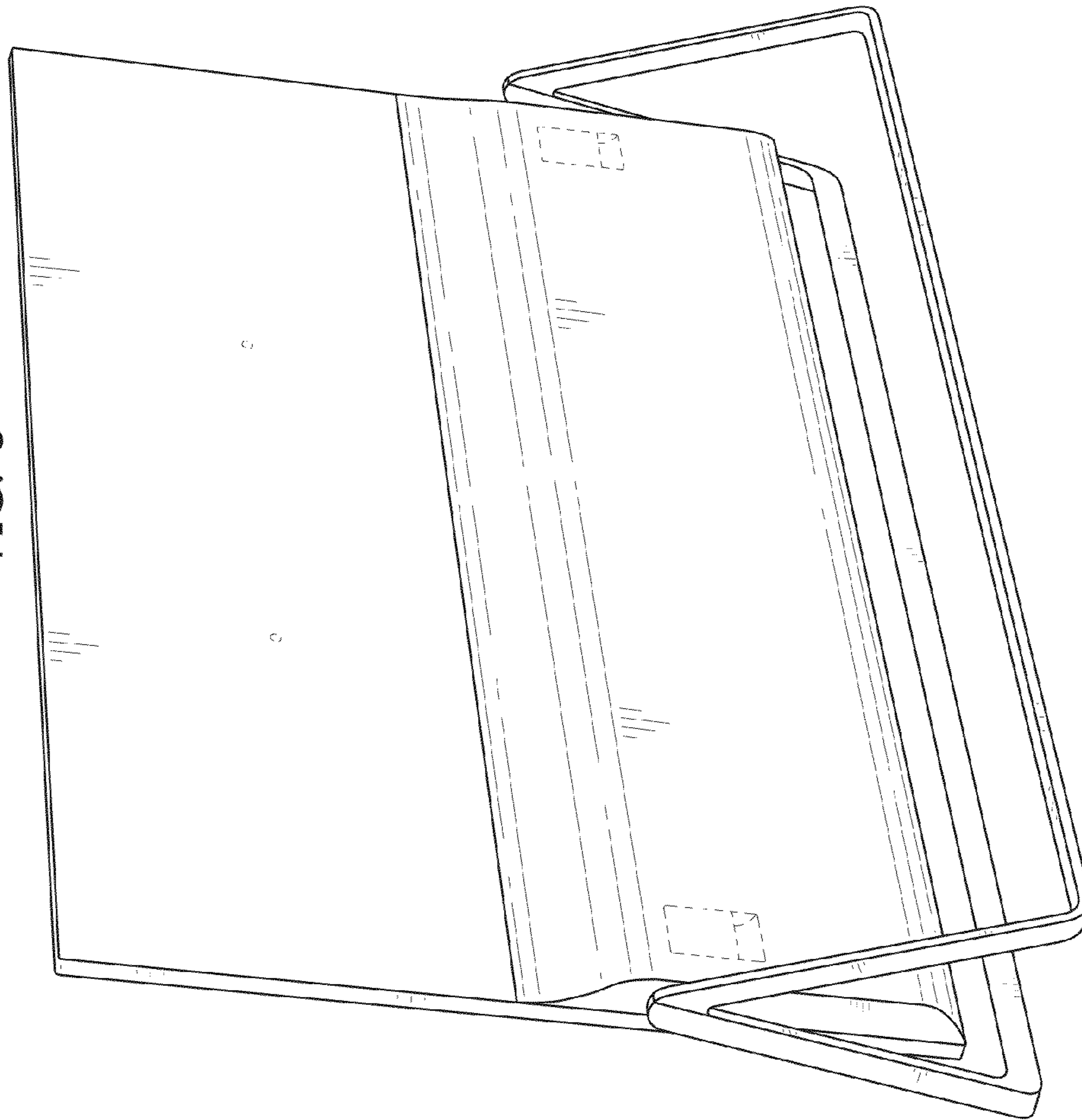
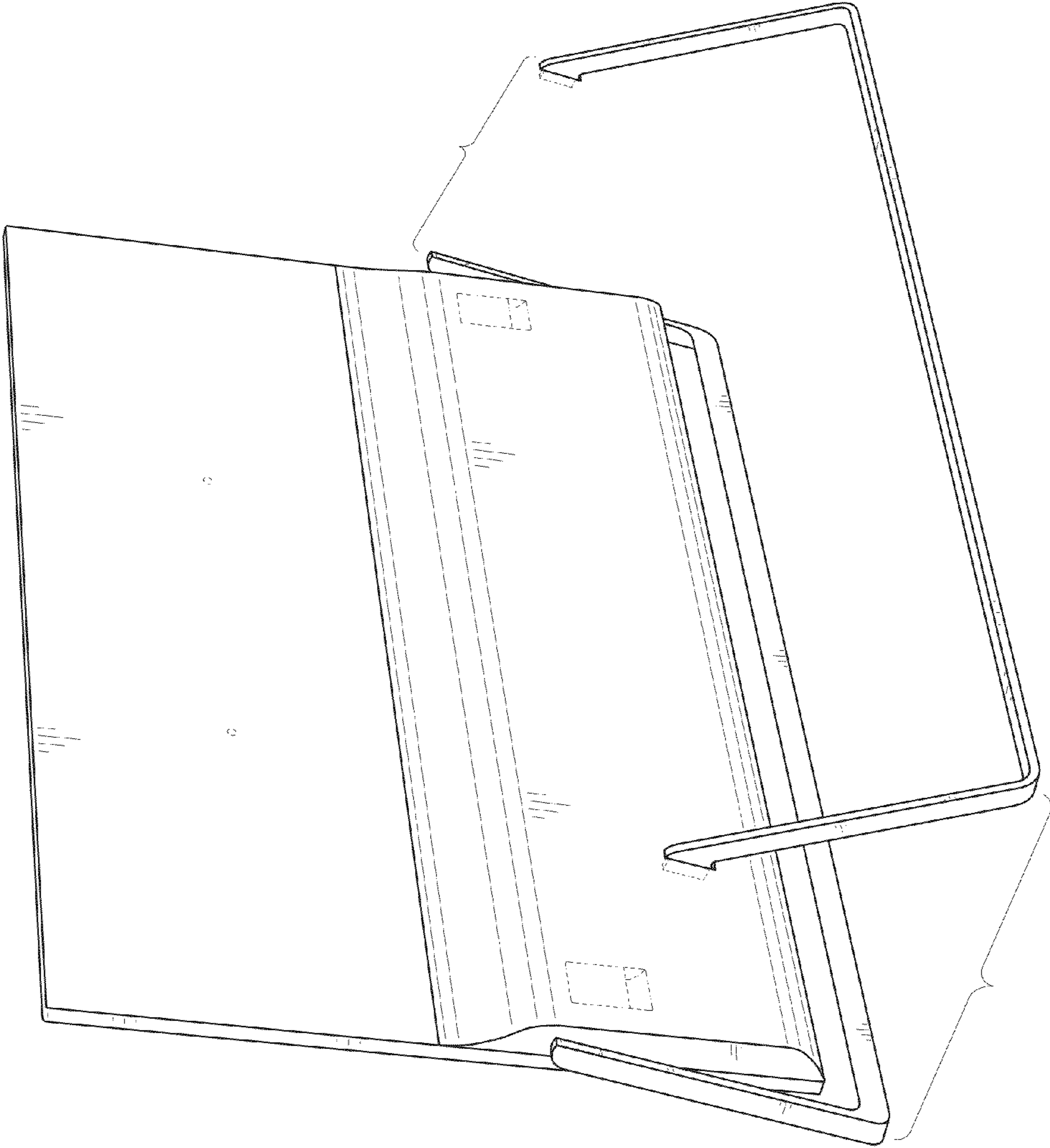


FIG. 9



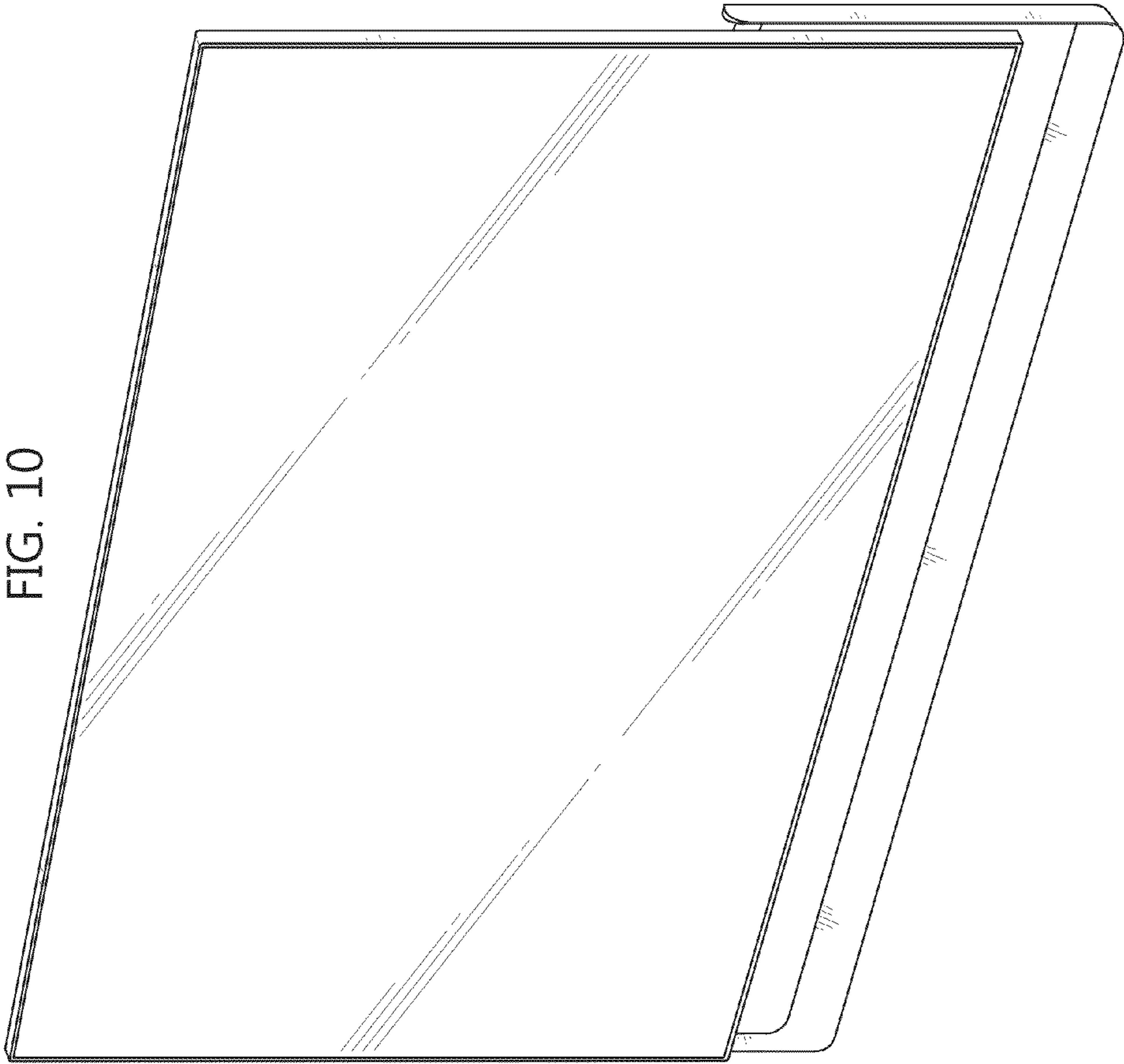


FIG. 10