



US00D727864S

(12) **United States Design Patent**
Kim et al.

(10) **Patent No.:** **US D727,864 S**
(45) **Date of Patent:** **** Apr. 28, 2015**

(54) **TELEVISION RECEIVER**

(56) **References Cited**

(71) Applicant: **Samsung Electronics Co., Ltd.**,
Suwon-si, Gyeonggi-do (KR)

U.S. PATENT DOCUMENTS

(72) Inventors: **Eui-Seok Kim**, Sungnam-Si (KR);
Hee-Bong Kim, Kimpo-Si (KR)

D344,933	S	*	3/1994	Wiseman et al.	D14/375
D497,627	S	*	10/2004	Inaba	D16/326
D545,776	S	*	7/2007	Kwon	D14/126
D578,087	S	*	10/2008	Yokota	D14/126
D590,786	S	*	4/2009	Kim et al.	D14/126
D609,201	S	*	2/2010	Olivet	D14/126

(73) Assignee: **Samsung Electronics Co., Ltd.**,
Suwon-si (KR)

(Continued)

(**) Term: **14 Years**

Primary Examiner — Robert M Spear
Assistant Examiner — Eliza Bennett-Hattan
(74) *Attorney, Agent, or Firm* — NSIP Law

(21) Appl. No.: **29/446,968**

(57) **CLAIM**

(22) Filed: **Feb. 28, 2013**

The ornamental design for a television receiver, as shown and described.

(30) **Foreign Application Priority Data**

DESCRIPTION

Aug. 29, 2012 (KR) 30-2012-0041603

(51) **LOC (10) Cl.** **14-03**

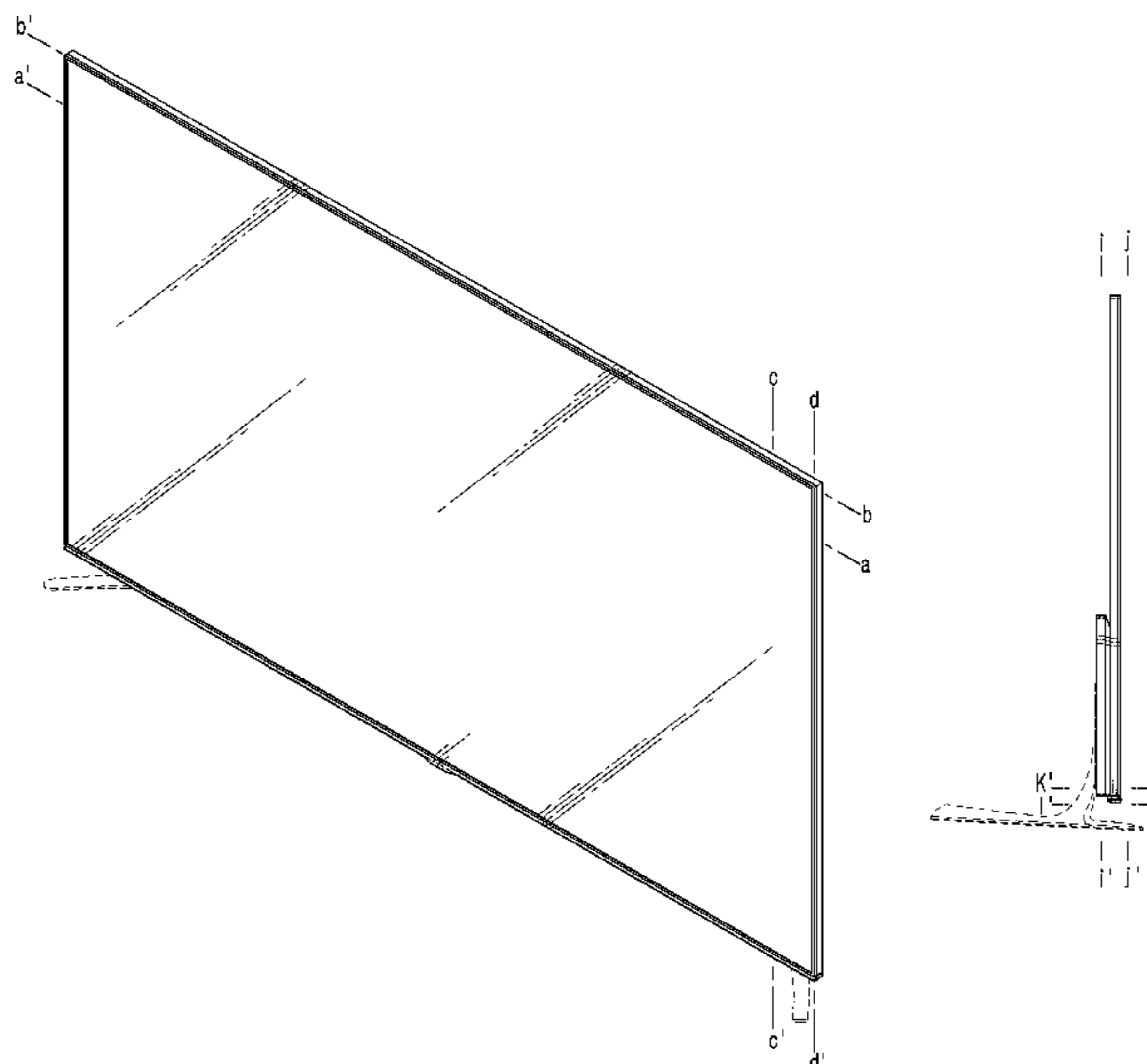
(52) **U.S. Cl.**
USPC **D14/126**

(58) **Field of Classification Search**
CPC H04N 21/42224; H04N 2005/443;
H04N 21/4122; H04N 21/41407; H04N
21/4222; H04N 21/43615; H04N 21/43635;
H04N 5/4403; H04N 5/64; H04N 5/655;
H04N 5/645; H04N 7/00
USPC D14/126, 127, 128, 129, 239, 371, 136,
D14/341, 375; 312/7.2; 348/836, 838, 180,
348/184, 325, 739; 341/12; 248/917-924,
248/465; 345/104, 133, 156, 168, 87, 173;
720/605, 600, 655; 455/347;
273/148 B; 229/926, 904, 74, 80.5;
D20/11, 17, 27, 39, 40; D6/300;
D9/600, 430

FIG. 1 is a front perspective view of a television receiver;
FIG. 2 is a front view of the television receiver of FIG. 1;
FIG. 3 is a rear view of the television receiver of FIG. 1;
FIG. 4 is a left-side view of the television receiver of FIG. 1;
FIG. 5 is a right-side view of the television receiver of FIG. 1;
FIG. 6 is a top plan view of the television receiver of FIG. 1;
FIG. 7 is a bottom plan view of the television receiver of FIG. 1;
FIG. 8 is a partial enlarged view of the television receiver of FIG. 1 that is included to more clearly depict the design as viewed from the front perspective view (a-a', b-b', c-c', d-d') of FIG. 1;
FIG. 9 is a partial enlarged view of the television receiver of FIG. 6 that is included to more clearly depict the design as viewed from the top plan view (e-e', f-f', g-g', h-h') of FIG. 6;
and,
FIG. 10 is a partial enlarged view of the bottom central feature in FIG. 4.
Features shown in broken lines in FIGS. 1, 2, 3, 4, 5, 6, 7, and 9, form no part of the claimed design.

See application file for complete search history.

1 Claim, 7 Drawing Sheets



US D727,864 S

Page 2

(56)

References Cited

U.S. PATENT DOCUMENTS

D617,290 S * 6/2010 Lewis D14/126
D652,397 S * 1/2012 Lewis D14/126

D709,495 S * 7/2014 Akutsu et al. D14/371
D709,842 S * 7/2014 Lee et al. D14/126
D712,367 S * 9/2014 Park et al. D14/126
D714,238 S * 9/2014 Kim D14/126

* cited by examiner

FIG. 1

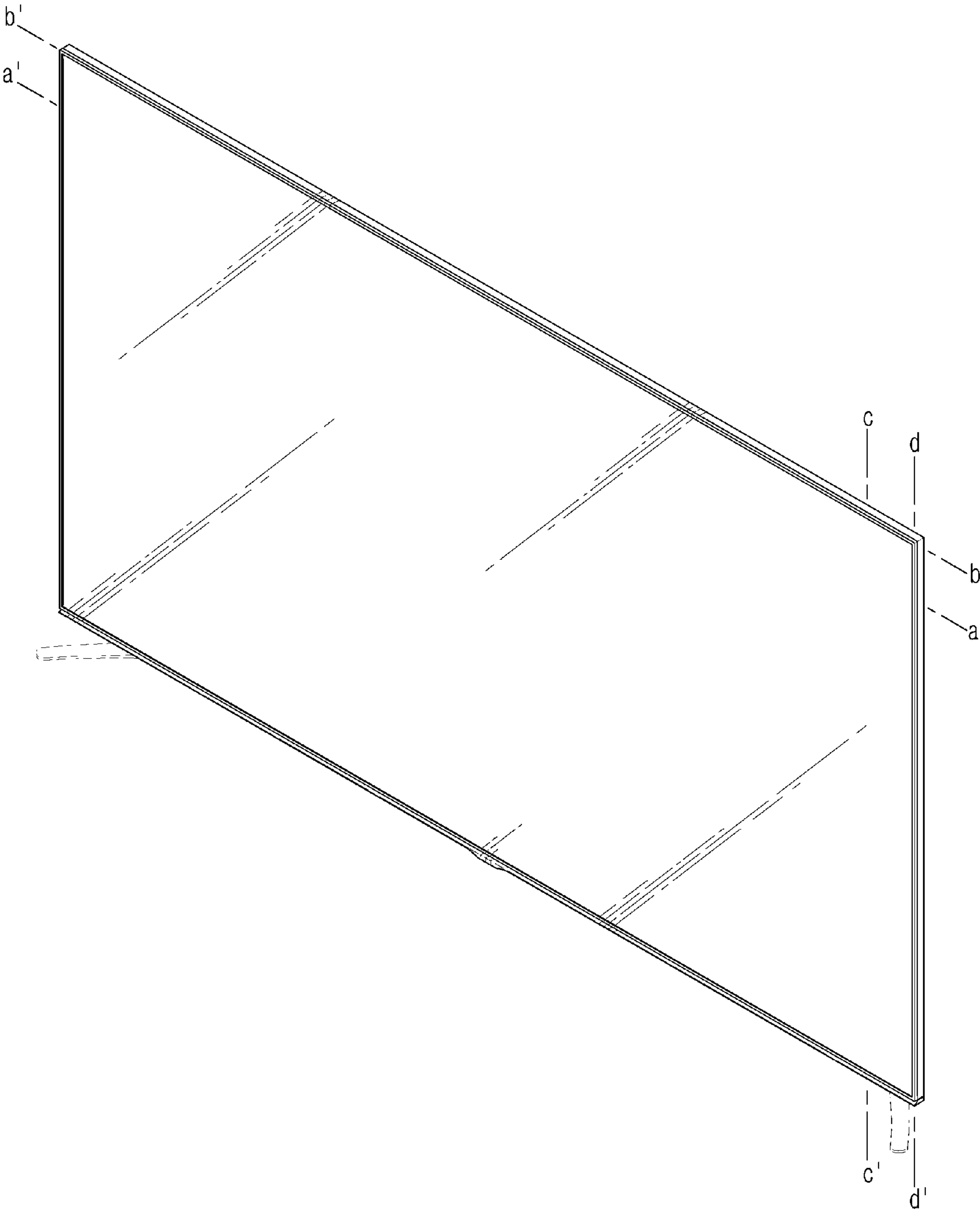


FIG. 2

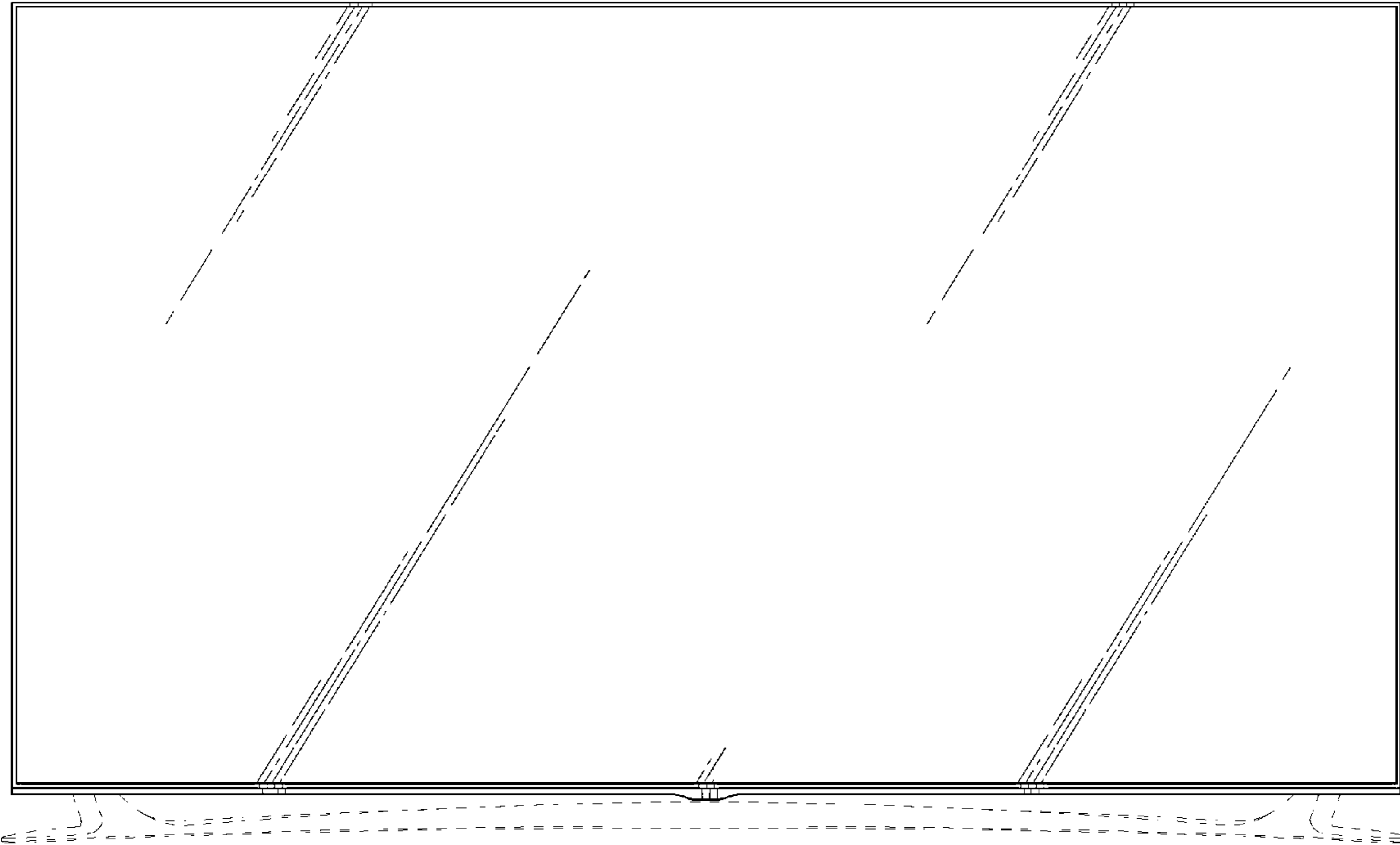


FIG. 3

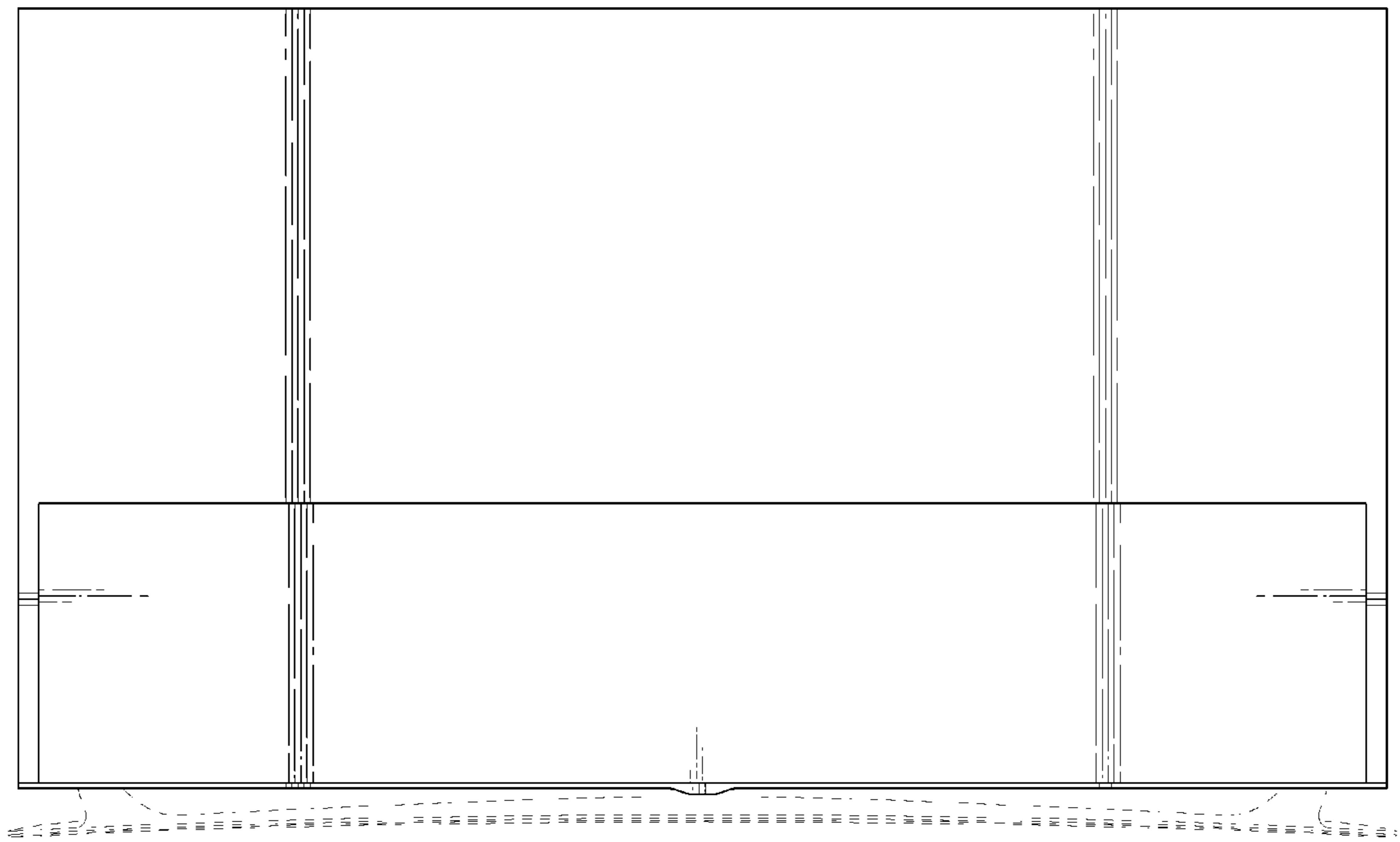


FIG. 4

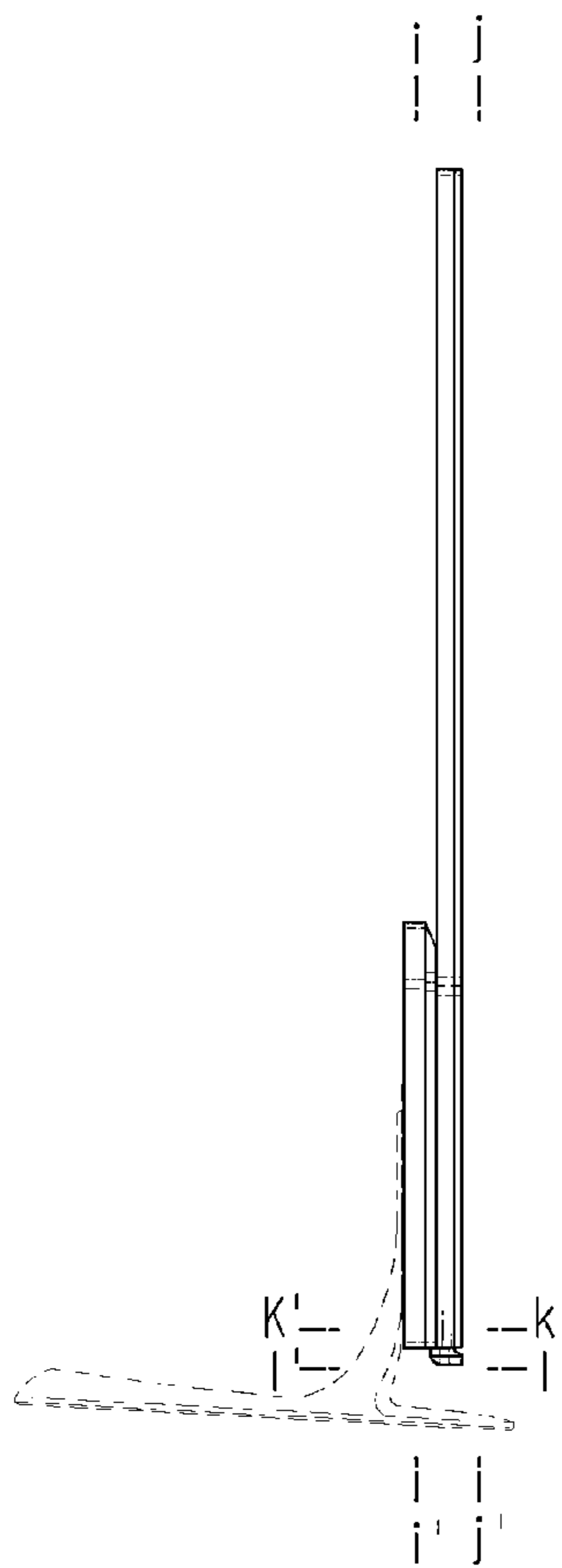


FIG. 5

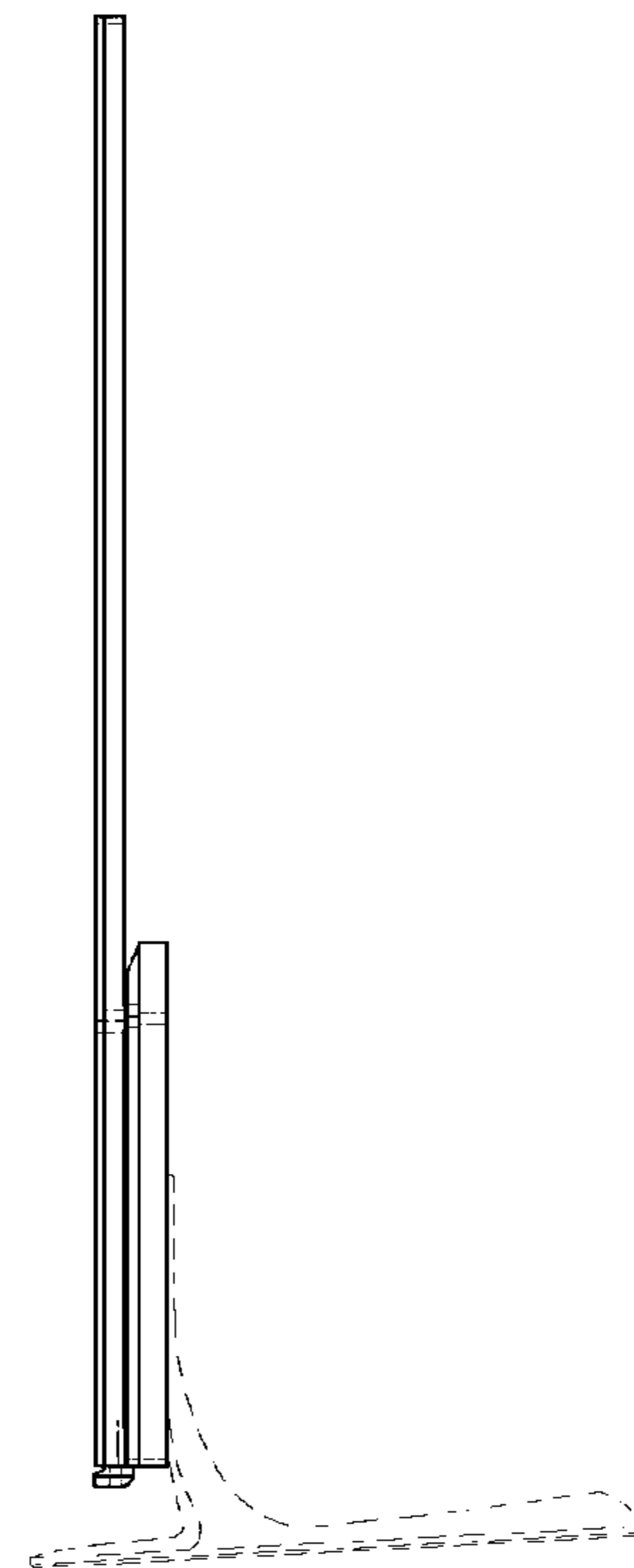


FIG. 6

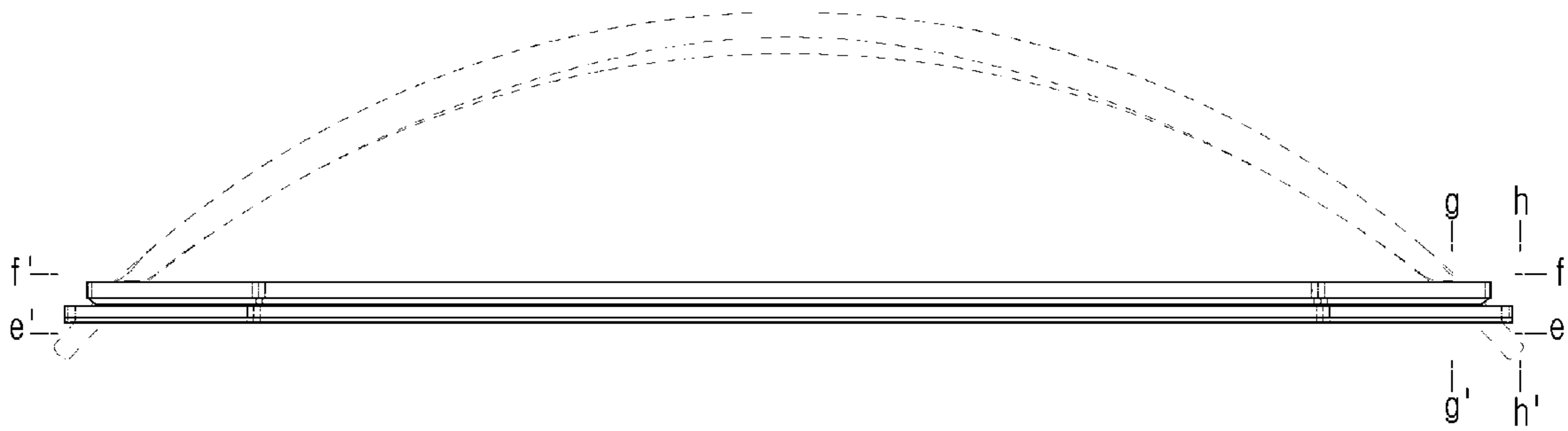


FIG. 7

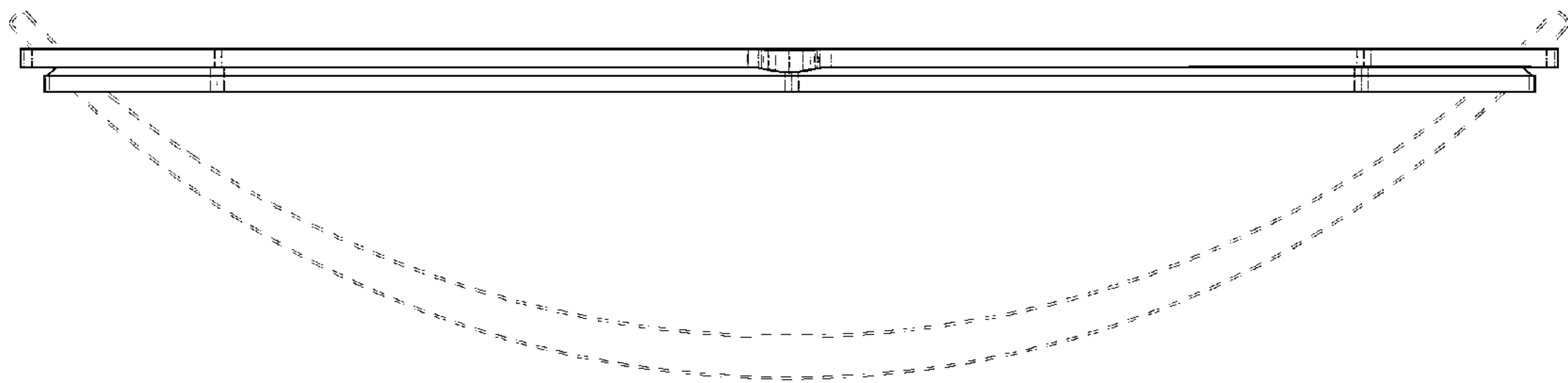


FIG. 8

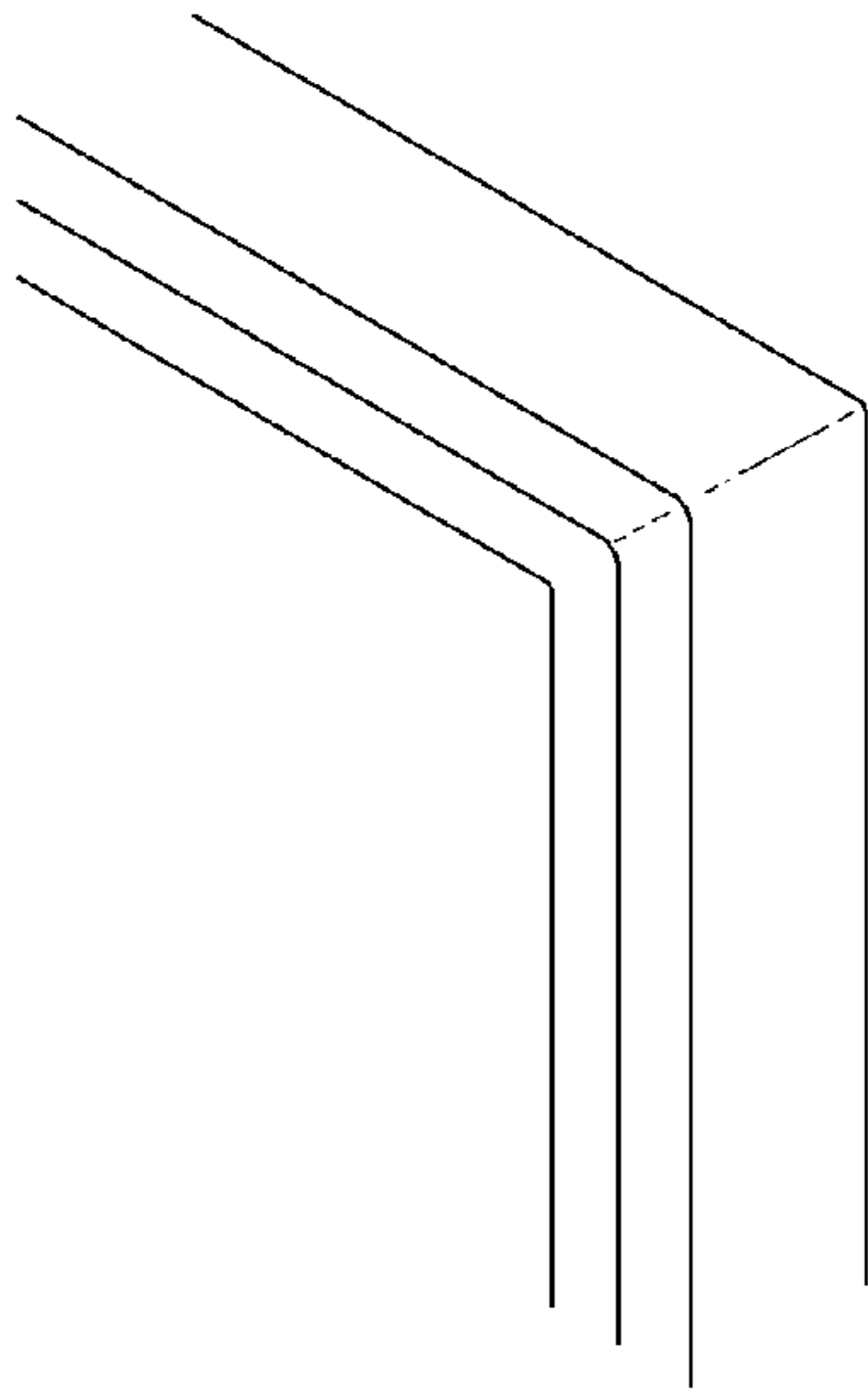


FIG. 9

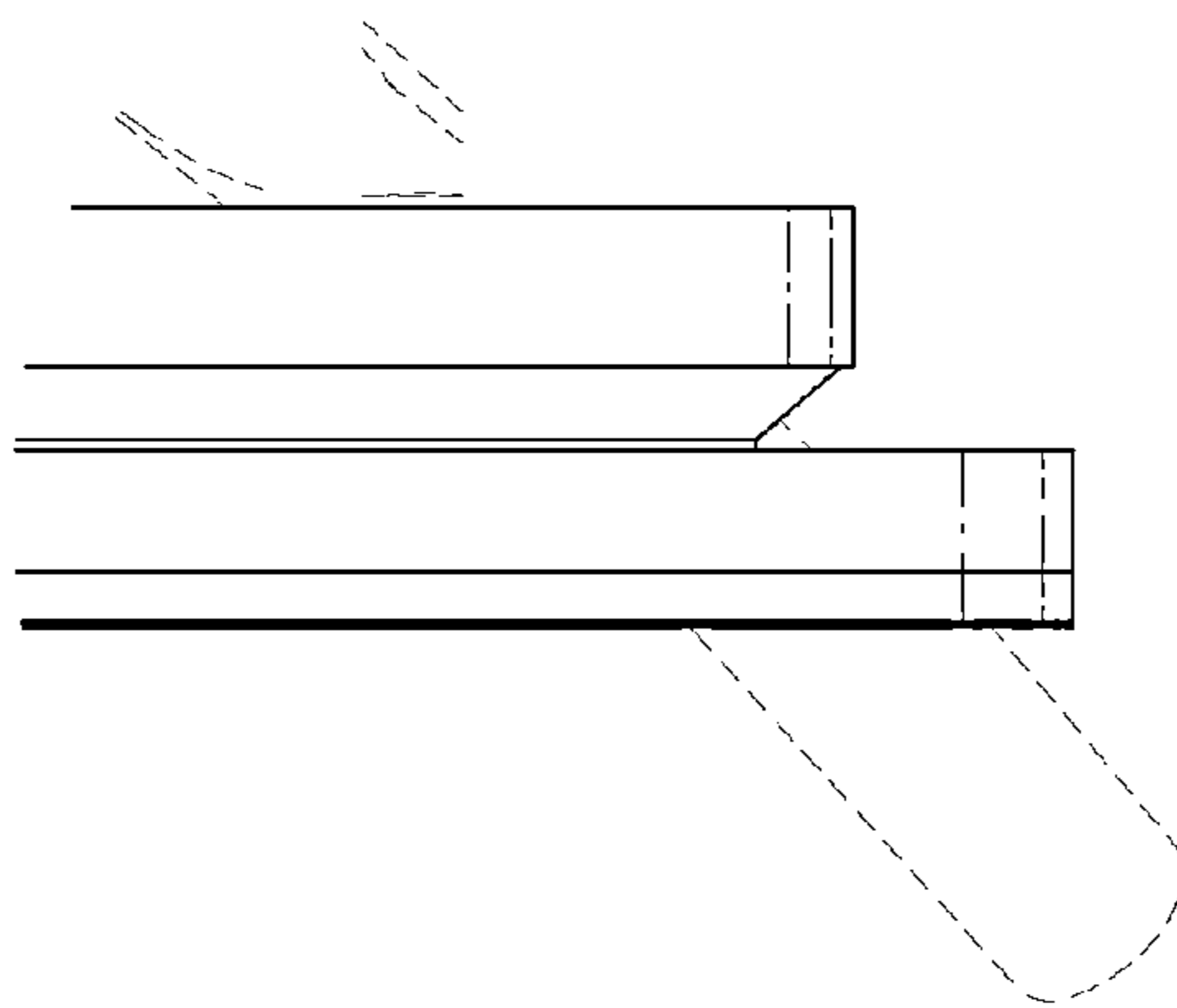


FIG. 10

