



US00D727863S

(12) **United States Design Patent**
Sung et al.

(10) **Patent No.:** **US D727,863 S**
(45) **Date of Patent:** **** Apr. 28, 2015**

(54) **TELEVISION RECEIVER**

(71) Applicant: **Samsung Electronics Co., Ltd.**,
Suwon-si, Gyeonggi-do (KR)
(72) Inventors: **Yu-Li Sung**, Goyang-Si (KR);
Jae-Hyung Kim, Gwangju-Si (KR)
(73) Assignee: **Samsung Electronics Co., Ltd.**,
Suwon-si (KR)
(**) Term: **14 Years**

(21) Appl. No.: **29/446,952**
(22) Filed: **Feb. 28, 2013**

(30) **Foreign Application Priority Data**

Aug. 29, 2012 (KR) 30-2012-0041626

(51) **LOC (10) Cl.** **14-03**

(52) **U.S. Cl.**
USPC **D14/126**

(58) **Field of Classification Search**

CPC H04N 21/42224; H04N 2005/443;
H04N 21/4122; H04N 21/41407; H04N
21/4222; H04N 21/43615; H04N 21/43635;
H04N 5/4403; H04N 5/64; H04N 5/655;
H04N 5/645; H04N 7/00
USPC D14/126, 127, 128, 129, 239, 371, 136,
D14/341, 375; 312/7.2; 348/836, 838, 180,
348/184, 325, 739; 341/12; 248/917-924,
248/465; 345/104, 133, 156, 168, 87, 173;
720/605, 600, 655; 455/347;
273/148 B; 229/926, 904, 74, 80.5;
D20/11, 17, 27, 39, 40; D6/300;
D9/600, 430

See application file for complete search history.

(56) **References Cited**

U.S. PATENT DOCUMENTS

D310,515 S * 9/1990 Bianco D14/371

D338,016 S * 8/1993 Mohri D14/239
D354,171 S * 1/1995 Schmidt D6/300
D527,386 S * 8/2006 Corbett et al. D14/451
D658,175 S * 4/2012 Goetzen D14/371
D678,271 S * 3/2013 Chiu D14/341
D684,945 S * 6/2013 Kang et al. D14/126
D695,244 S * 12/2013 Wolff et al. D14/126
D699,204 S * 2/2014 Jung et al. D14/126
D704,702 S * 5/2014 Akana et al. D14/341
D715,756 S * 10/2014 Lim et al. D14/126

* cited by examiner

Primary Examiner — Robert M Spear
Assistant Examiner — Eliza Bennett-Hattan
(74) *Attorney, Agent, or Firm* — NSIP Law

(57) **CLAIM**

The ornamental design for a television receiver, as shown and described.

DESCRIPTION

FIG. 1 is a front perspective view of a television receiver, showing an example environment;
FIG. 2 is a front view of the television receiver of FIG. 1;
FIG. 3 is a rear view of the television receiver of FIG. 1;
FIG. 4 is a right-side view of the television receiver of FIG. 1;
FIG. 5 is a top plan view of the television receiver of FIG. 1;
FIG. 6 is a bottom plan view of the television receiver of FIG. 1;
FIG. 7 is a rear perspective of the television receiver of FIG. 1; and,
FIG. 8 is an enlarged top plane view of the television receiver with the unclaimed subject matter removed for clarity of disclosure.
The dash-dot-dot-dash broken line immediately adjacent the solid-line portions of the design represents an unclaimed boundary of the design. Features shown in other broken lines in FIGS. 1, 2, 3, 4, 5, 6, and 7, form no part of the claimed design.

1 Claim, 7 Drawing Sheets

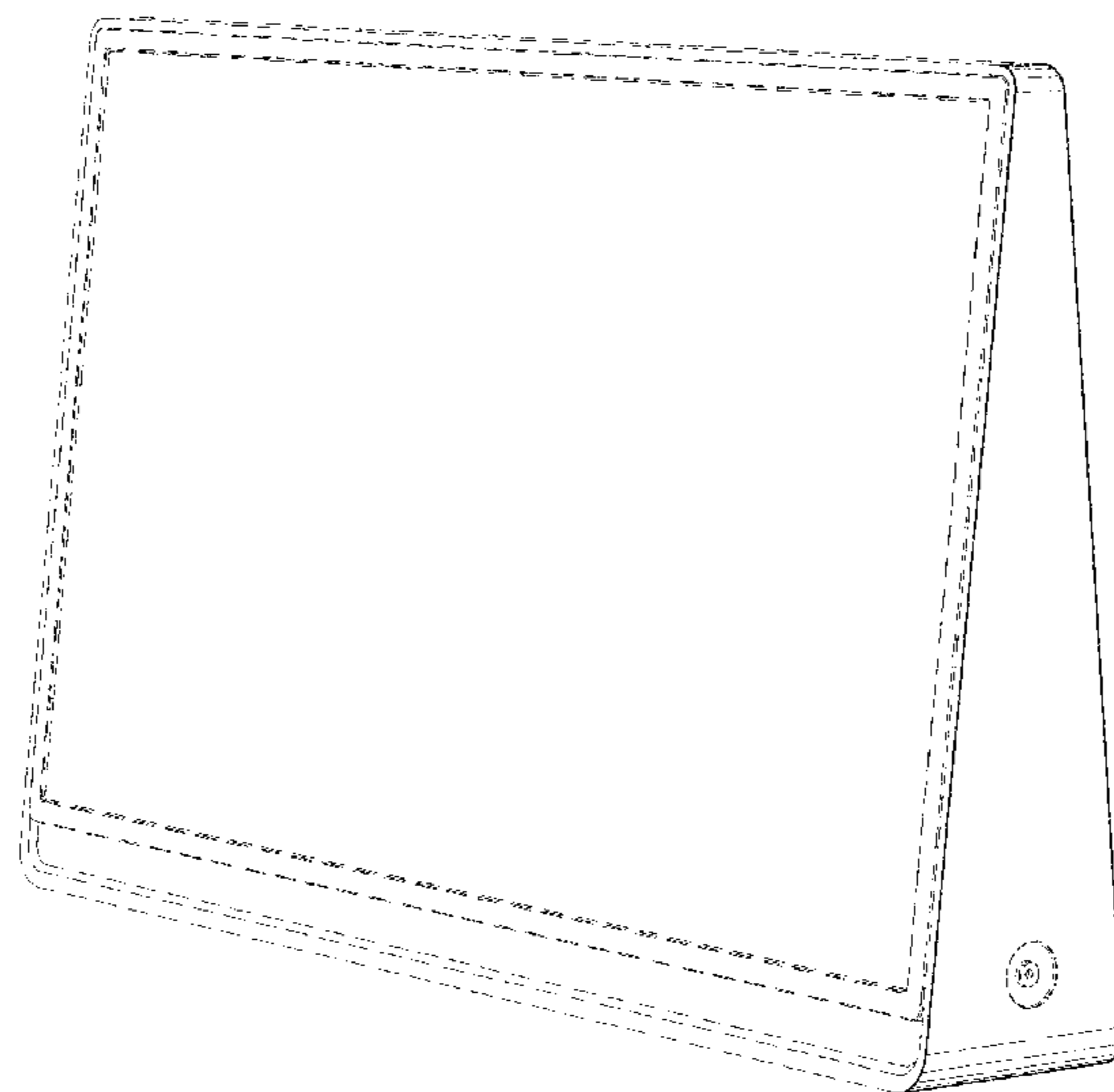


FIG. 1

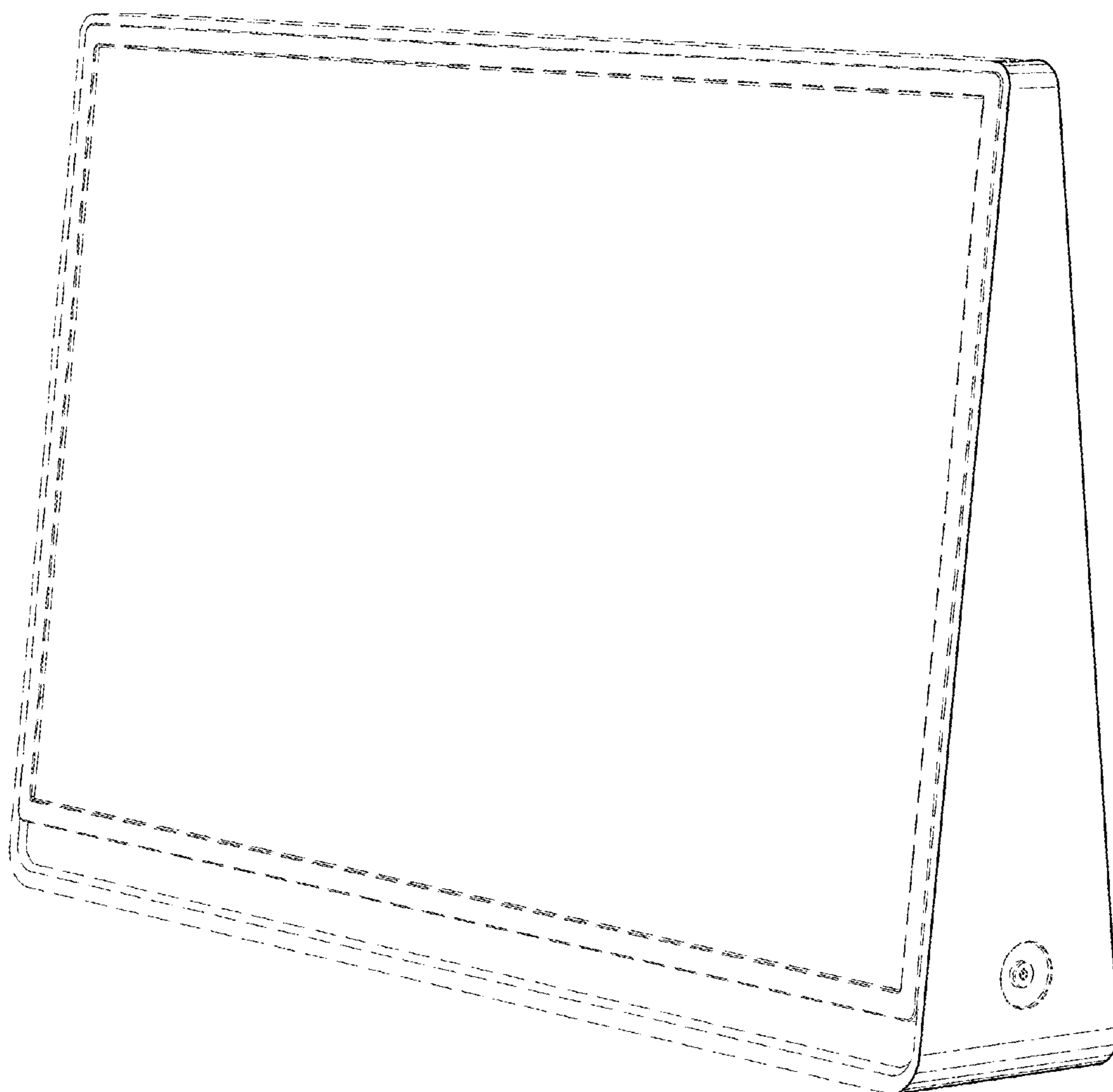


FIG. 2



FIG. 3



FIG. 4

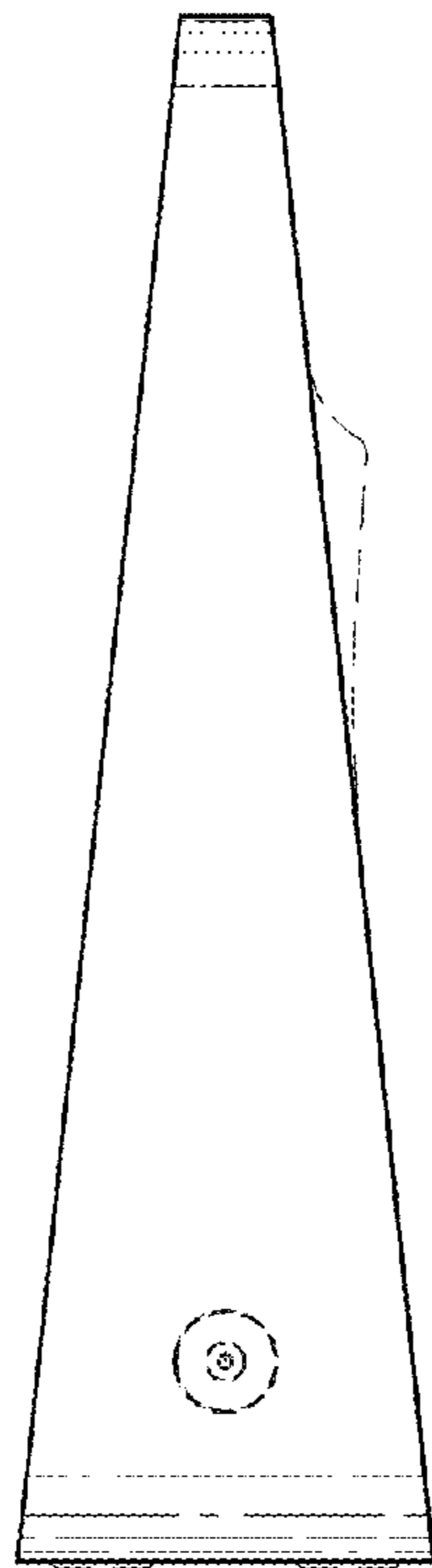


FIG. 5

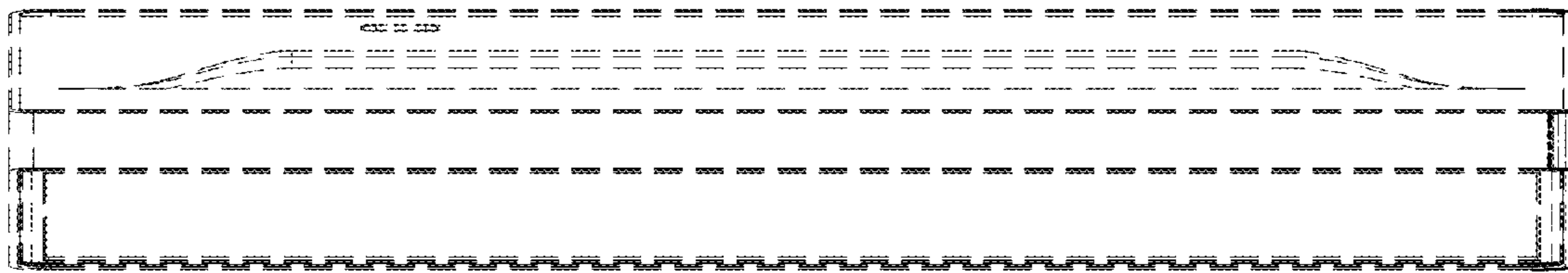


FIG. 6



FIG. 7

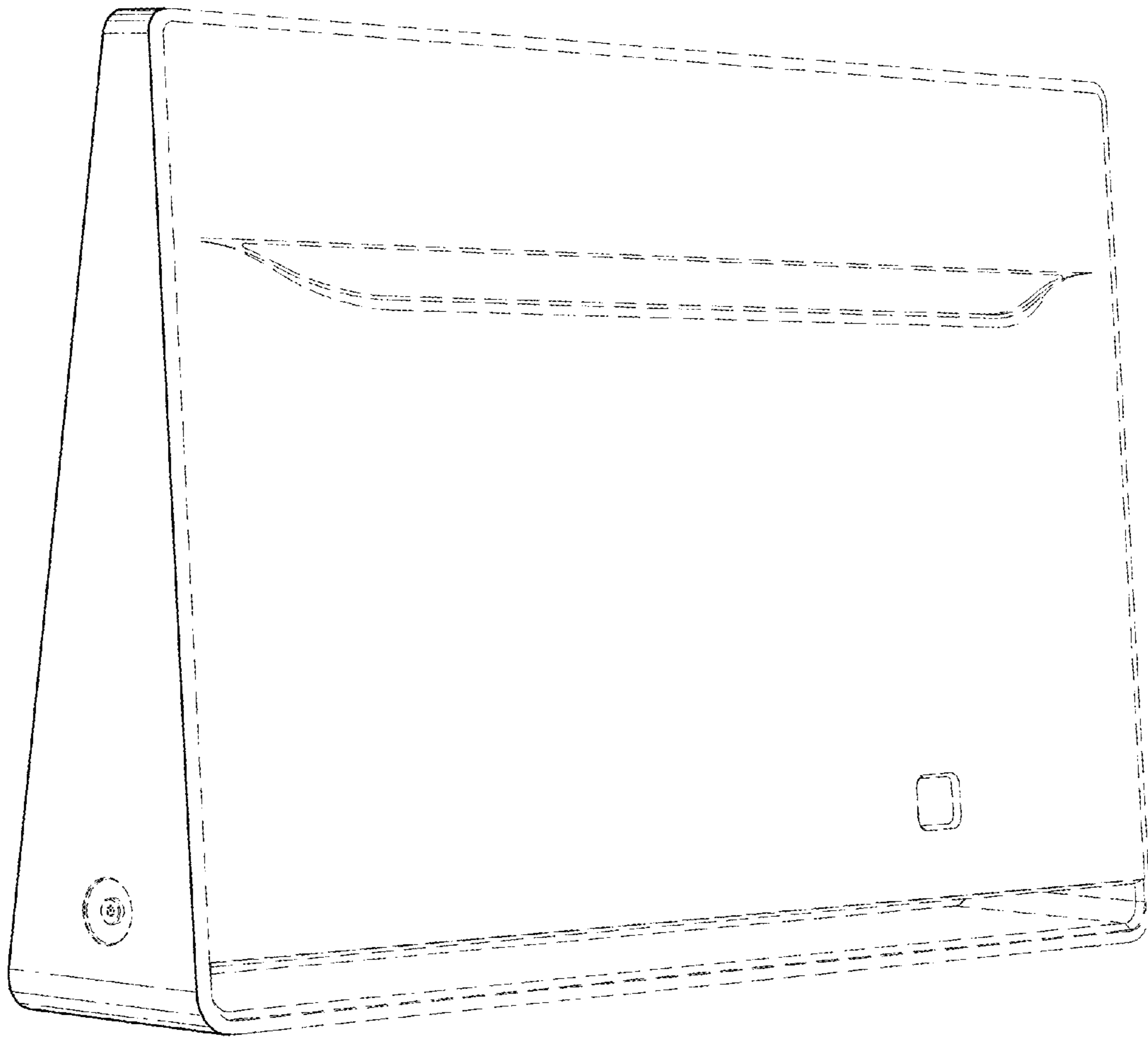


FIG. 8

