



US00D727861S

(12) **United States Design Patent**
Tang

(10) **Patent No.:** **US D727,861 S**

(45) **Date of Patent:** **** Apr. 28, 2015**

(54) **INK CARTRIDGE CHIP**

(71) Applicant: **Apex Microelectronics Co., Ltd.,**
Zhuhai (CN)

(72) Inventor: **Xiaoxian Tang,** Zhuhai (CN)

(73) Assignee: **Apex Microelectronics Co., Ltd.,**
Guangdong (CN)

(**) Term: **14 Years**

(21) Appl. No.: **29/482,503**

(22) Filed: **Feb. 19, 2014**

(30) **Foreign Application Priority Data**

Aug. 24, 2013 (CN) 2013 3 0418014

(51) **LOC (10) Cl.** **13-03**

(52) **U.S. Cl.**
USPC **D13/182**

(58) **Field of Classification Search**

USPC D13/182, 199; 112/453, 457; 174/68.1,
174/250, 251, 253, 255, 256, 257;
318/568.1, 567; 361/679.01, 748, 752,
361/760, 807; 439/540.1, 945, 946, 76.1;
D14/164, 263, 435, 481

See application file for complete search history.

(56) **References Cited**

U.S. PATENT DOCUMENTS

4,872,091 A * 10/1989 Maniwa et al. 361/679.31
D310,514 S * 9/1990 Maurer et al. D13/182
D357,228 S * 4/1995 Anton D13/182

D365,092 S * 12/1995 Mundigl et al. D14/437
D376,134 S * 12/1996 Anton D13/182
5,659,459 A * 8/1997 Wakabayashi et al. 361/753
D386,475 S * 11/1997 Hiramatsu D13/182
5,742,299 A * 4/1998 Igarashi 345/501
D406,821 S * 3/1999 Fischer et al. D13/182
6,404,639 B1 * 6/2002 Wakabayashi et al. 361/719
D486,830 S * 2/2004 Kadonaga D14/435
D529,031 S * 9/2006 Huang et al. D14/436
D594,827 S * 6/2009 Loh et al. D13/182
D605,613 S * 12/2009 Carter et al. D13/182
D675,582 S * 2/2013 Segler et al. D13/182
D689,834 S * 9/2013 Chu et al. D13/182
D691,101 S * 10/2013 Ishizawa et al. D13/182
D711,842 S * 8/2014 Jenni D13/182

* cited by examiner

Primary Examiner — Elizabeth J Oswecki

(74) *Attorney, Agent, or Firm* — J.C. Patents

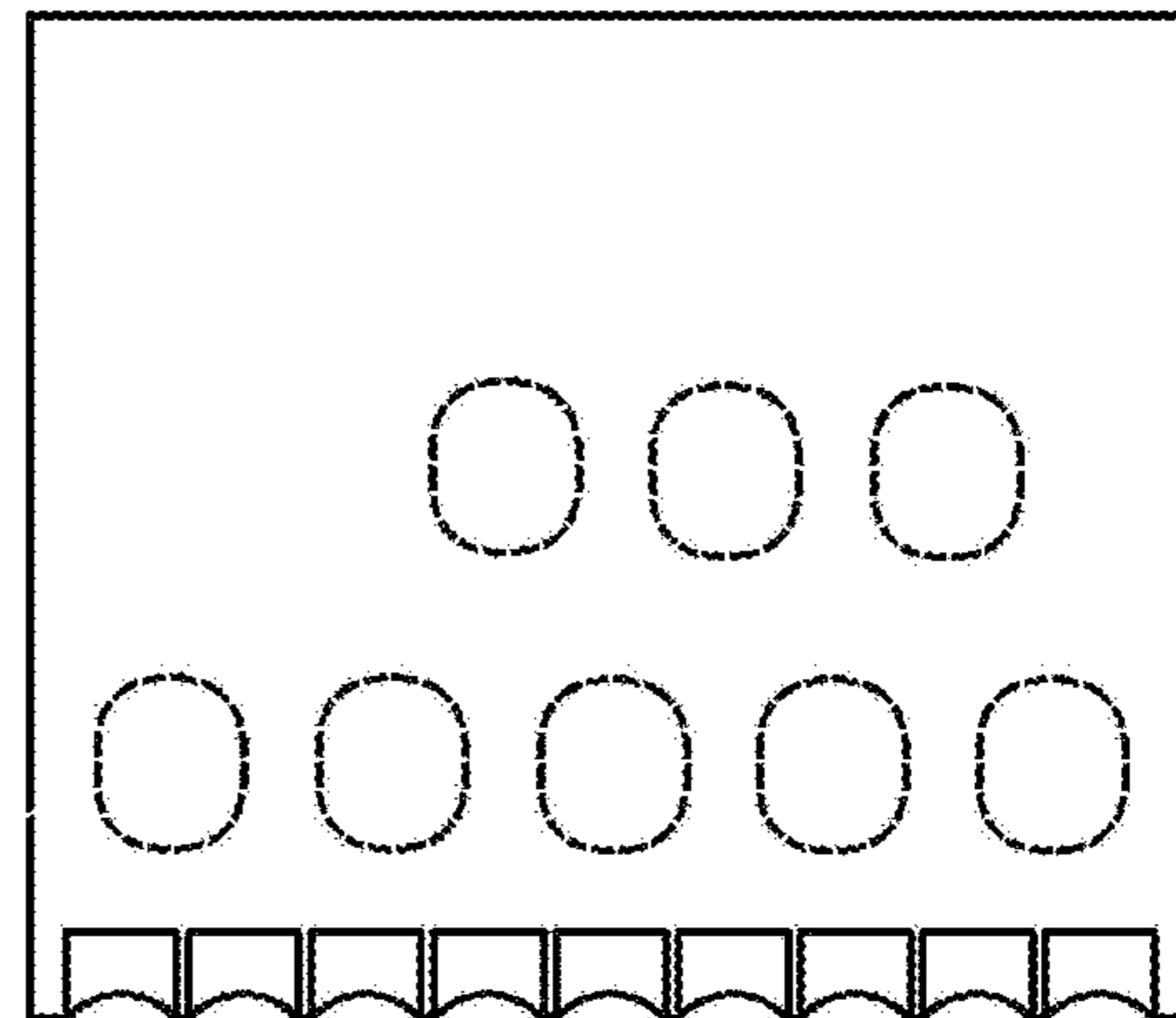
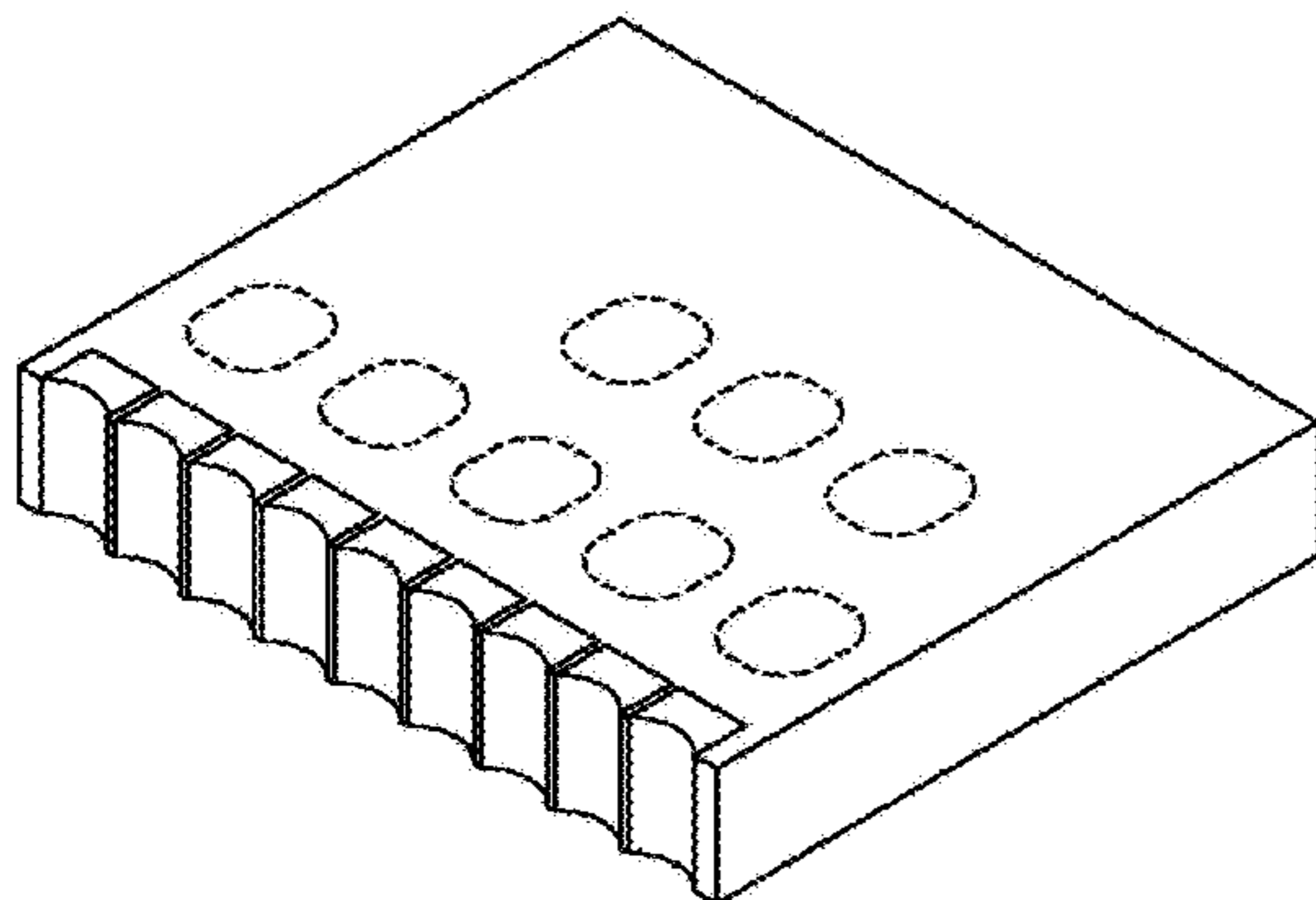
(57) **CLAIM**

The ornamental design for an ink cartridge chip, as shown and described.

DESCRIPTION

FIG. 1 is a perspective view of an ink cartridge chip showing my new design;
FIG. 2 is a front elevation view thereof;
FIG. 3 is a rear elevation view thereof;
FIG. 4 is a left side view thereof;
FIG. 5 is a right side view thereof;
FIG. 6 is a top plan view thereof; and,
FIG. 7 is a bottom plan view thereof.
The broken lines shown in the drawings represent portions of the ink cartridge chip that form no part of the claimed design.

1 Claim, 6 Drawing Sheets



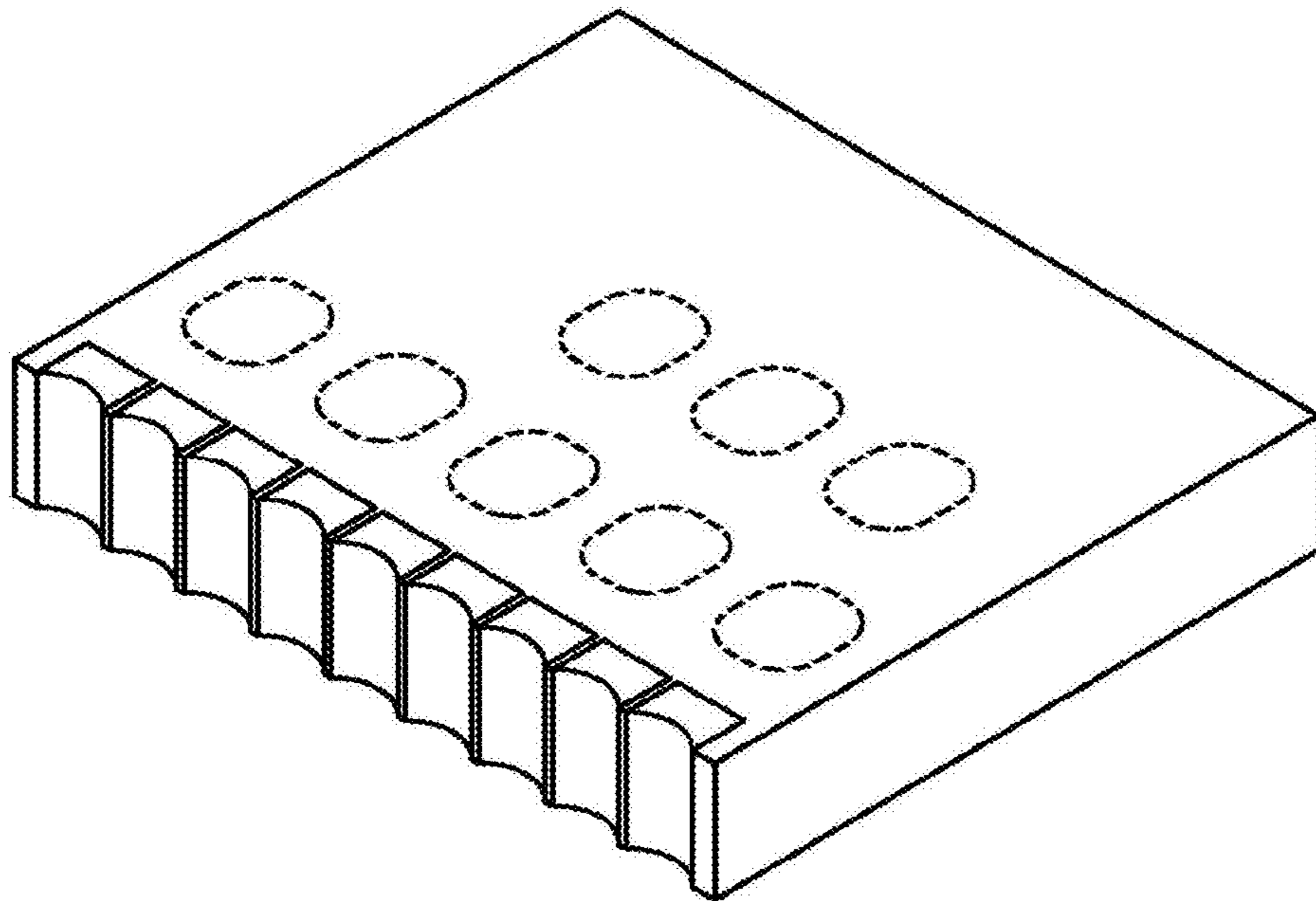


FIG. 1

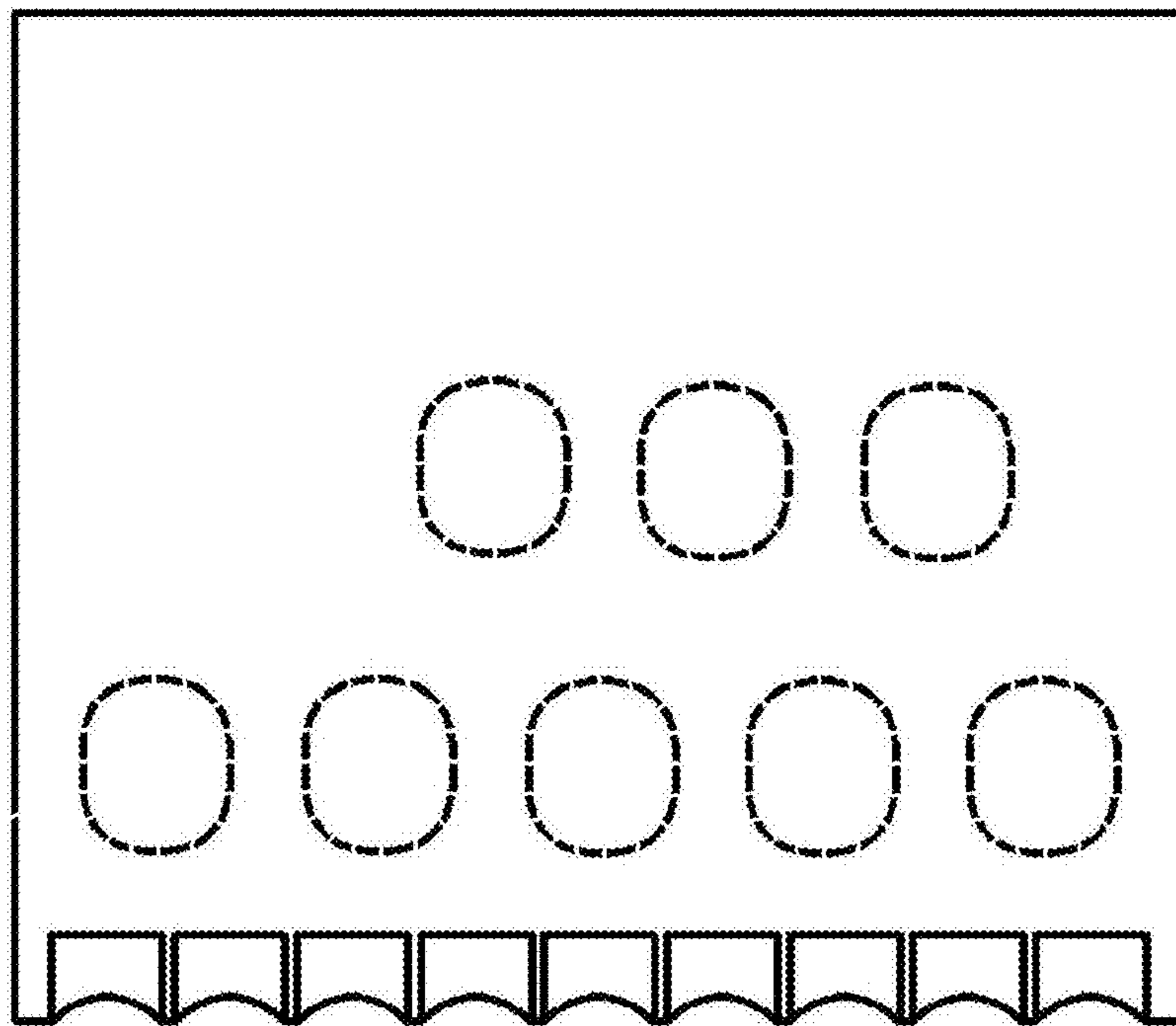


FIG. 2

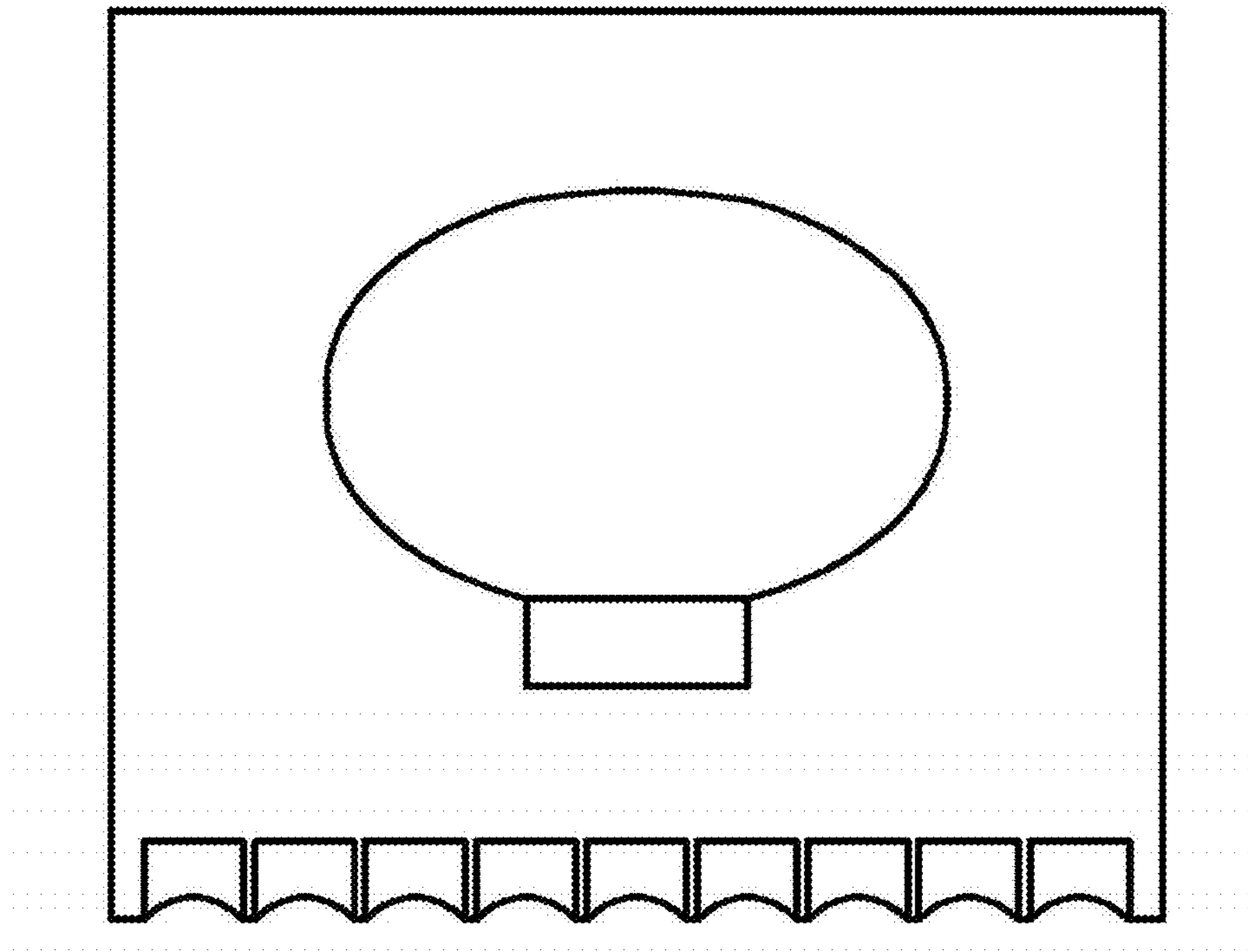


FIG. 3

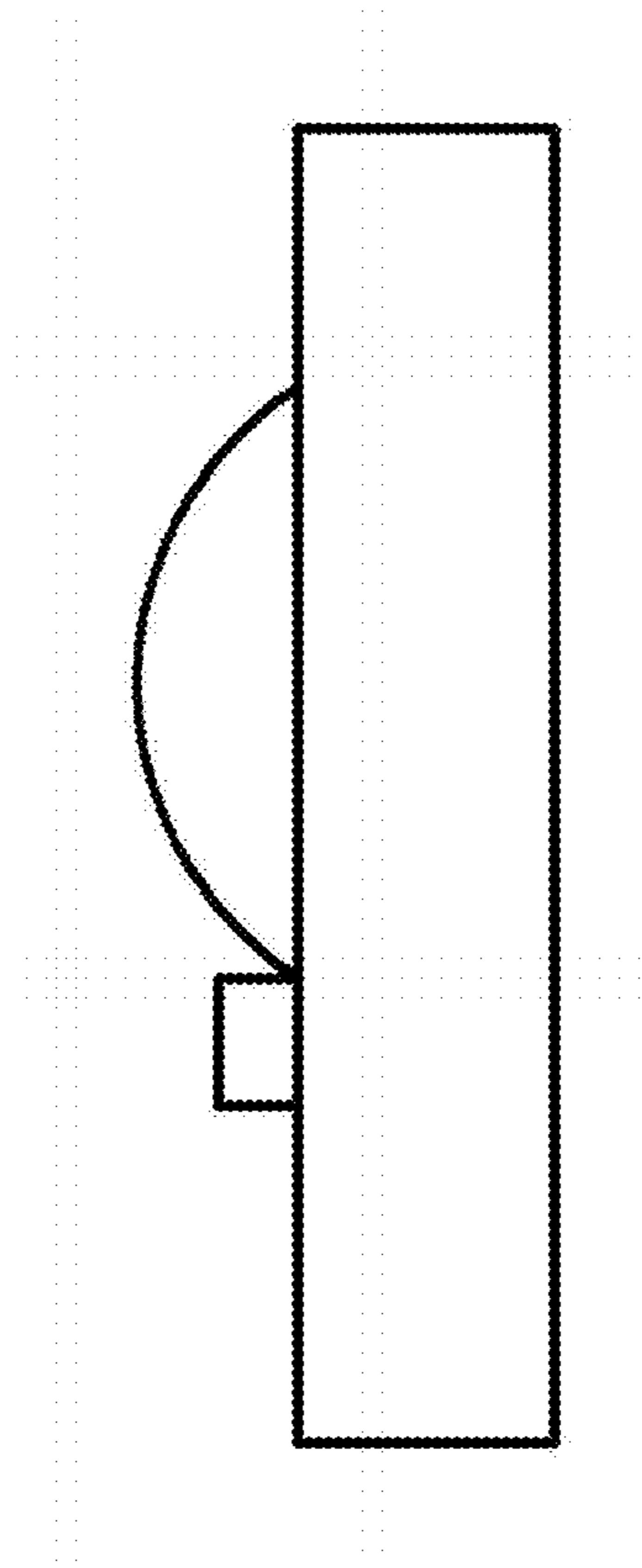


FIG. 4



FIG. 5

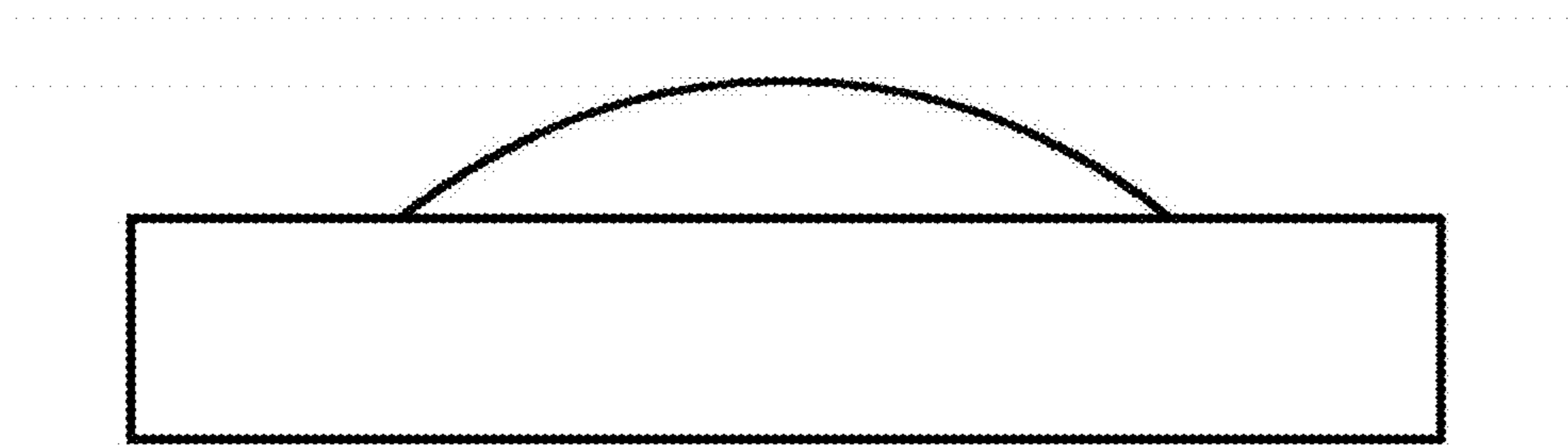


FIG. 6

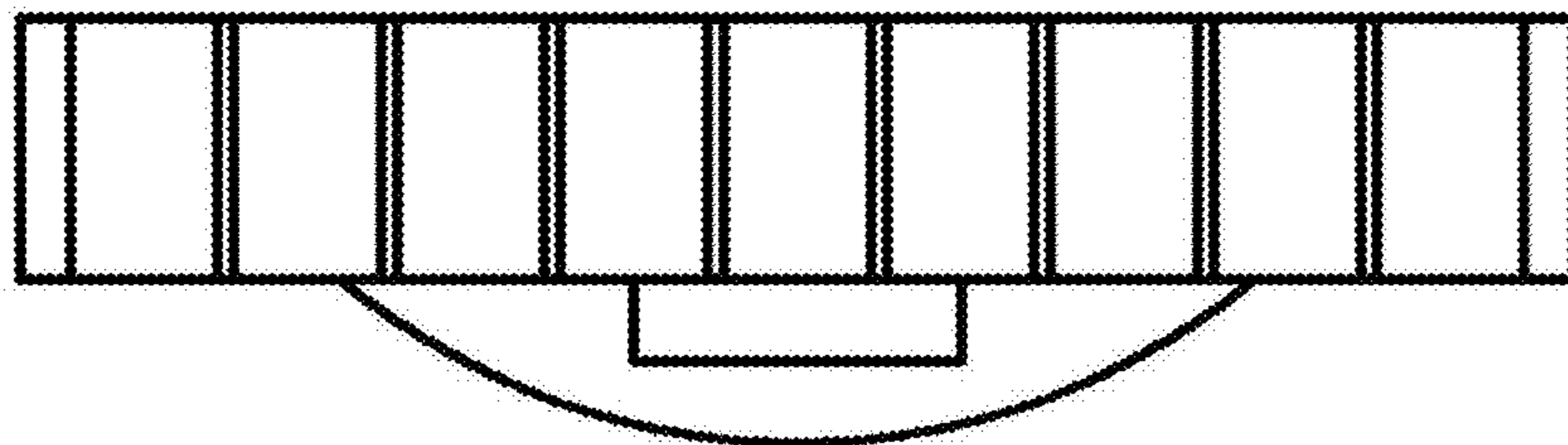


FIG. 7