



US00D727860S

(12) **United States Design Patent**  
**Watanabe et al.**

(10) **Patent No.:** **US D727,860 S**  
(45) **Date of Patent:** **\*\* Apr. 28, 2015**

- (54) **LIGHT-EMITTING DIODE**
- (71) Applicants: **Citizen Electronics Co., Ltd.**,  
Yamanashi-ken (JP); **Citizen Holdings**  
**Co., Ltd.**, Tokyo (JP)
- (72) Inventors: **Shigehisa Watanabe**, Yamanashi-ken  
(JP); **Hidekazu Arai**, Yamanashi-ken  
(JP); **Ryo Tamura**, Yamanashi-ken (JP)
- (73) Assignees: **Citizen Electronics Co., Ltd.**,  
Yamanashi-ken (JP); **Citizen Holdings**  
**Co., Ltd.**, Tokyo (JP)
- (\*\*) Term: **14 Years**
- (21) Appl. No.: **29/494,068**
- (22) Filed: **Jun. 17, 2014**

**Related U.S. Application Data**

- (62) Division of application No. 29/443,847, filed on Jan. 23, 2013, now Pat. No. Des. 714,236.

(30) **Foreign Application Priority Data**

Jul. 24, 2012 (JP) ..... 2012-017503  
 Jul. 24, 2012 (JP) ..... 2012-017507  
 Jul. 24, 2012 (JP) ..... 2012-017508

- (51) **LOC (10) Cl.** ..... **13-03**
- (52) **U.S. Cl.**  
USPC ..... **D13/180**
- (58) **Field of Classification Search**  
USPC ..... D13/180; D26/1; 257/79, 80, 81, 88,  
257/89, 95, 98, 99, 100, E33.058; 313/483,  
313/498, 500; 362/555, 800  
See application file for complete search history.

(56) **References Cited**

**U.S. PATENT DOCUMENTS**

D573,553 S \* 7/2008 Uemoto et al. .... D13/180  
 D607,420 S 1/2010 Imai et al.

D618,635 S 6/2010 Imai et al.  
 D645,417 S 9/2011 Imai et al.  
 D647,492 S 10/2011 Imai et al.  
 D669,041 S 10/2012 Imai et al.  
 D681,564 S 5/2013 Hsu et al.  
 D683,708 S 6/2013 Sasano et al.  
 D689,451 S 9/2013 Shimonishi et al.  
 D698,322 S 1/2014 Takeda et al.  
 8,803,181 B2 \* 8/2014 Takao et al. .... 257/99  
 D714,236 S \* 9/2014 Watanabe et al. .... D13/180  
 8,853,719 B2 \* 10/2014 Park ..... 257/98

\* cited by examiner

*Primary Examiner* — Selina Sikder

(74) *Attorney, Agent, or Firm* — Browdy and Neimark,  
PLLC

(57) **CLAIM**

The ornamental design for a light-emitting diode, as shown and described.

**DESCRIPTION**

FIG. 1 is a top perspective view of a first embodiment of a light-emitting diode showing our new design;  
 FIG. 2 is a bottom perspective view thereof;  
 FIG. 3 is a front view thereof, a rear view opposite the front view being identical to FIG. 3;  
 FIG. 4 is a top plan view thereof;  
 FIG. 5 is a bottom plan view thereof;  
 FIG. 6 is a left side view thereof, a right side view opposite the left side view being identical to FIG. 6;  
 FIG. 7 is a top perspective view of a second embodiment of a light-emitting diode showing our new design;  
 FIG. 8 is a bottom perspective view thereof;  
 FIG. 9 is a front view thereof, a rear view opposite the front view being identical to FIG. 9;  
 FIG. 10 is a top plan view thereof;  
 FIG. 11 is a bottom plan view thereof; and,  
 FIG. 12 is a left side view thereof, a right side view opposite the left side view being identical to FIG. 12.  
 The broken line showing of the environment is for illustrative purpose only and forms no part of the claimed design.

**1 Claim, 6 Drawing Sheets**

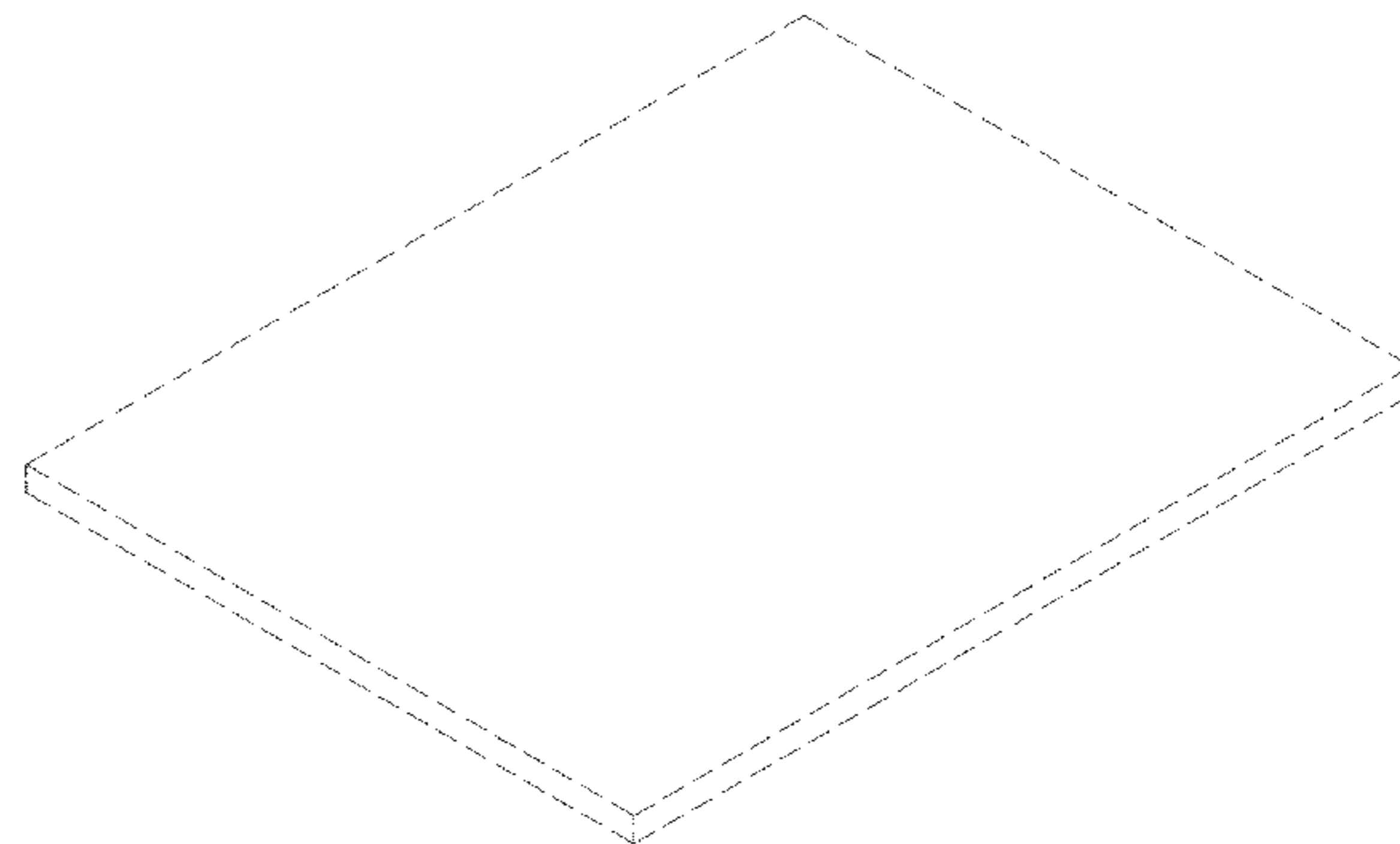
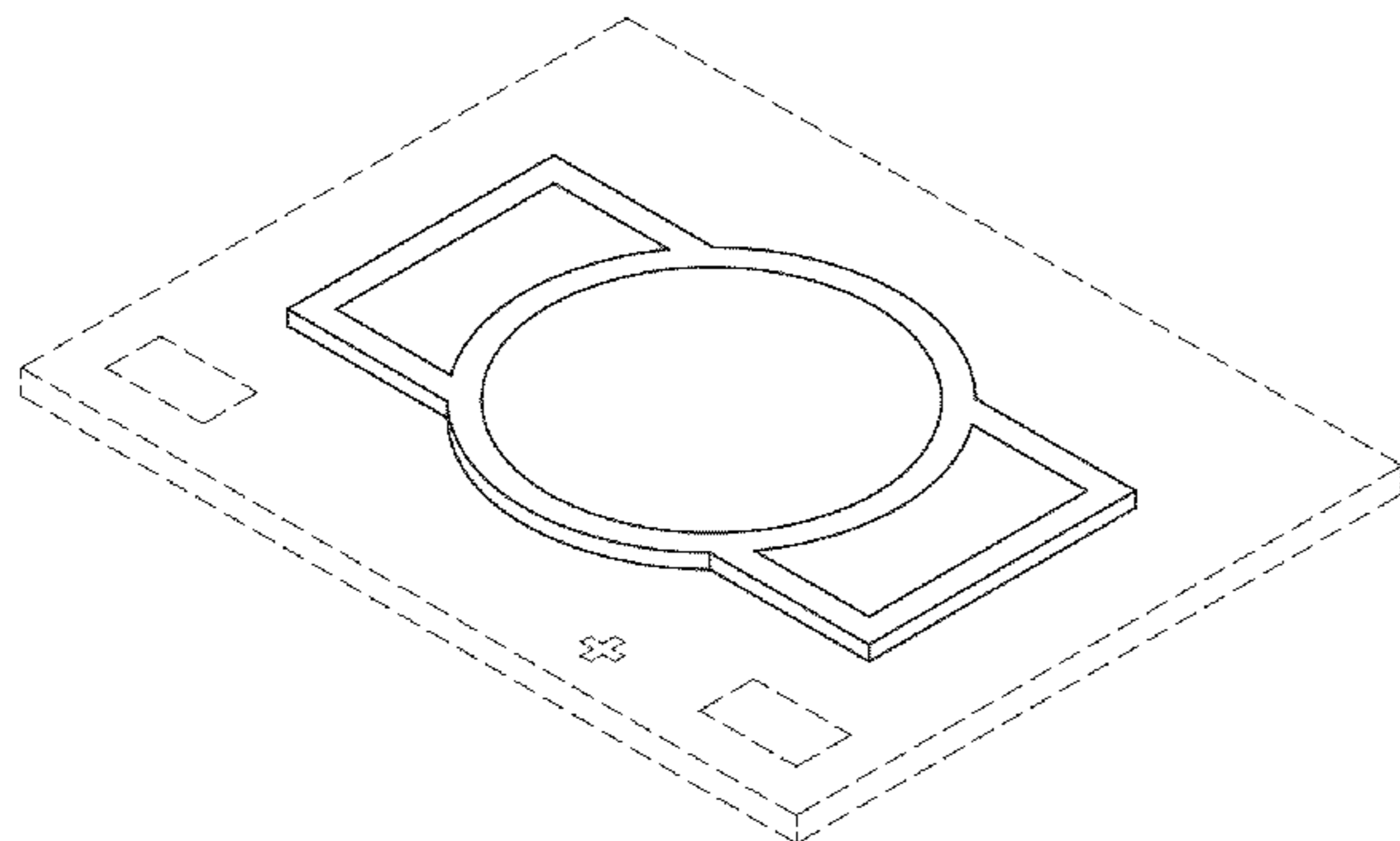


Fig. 1

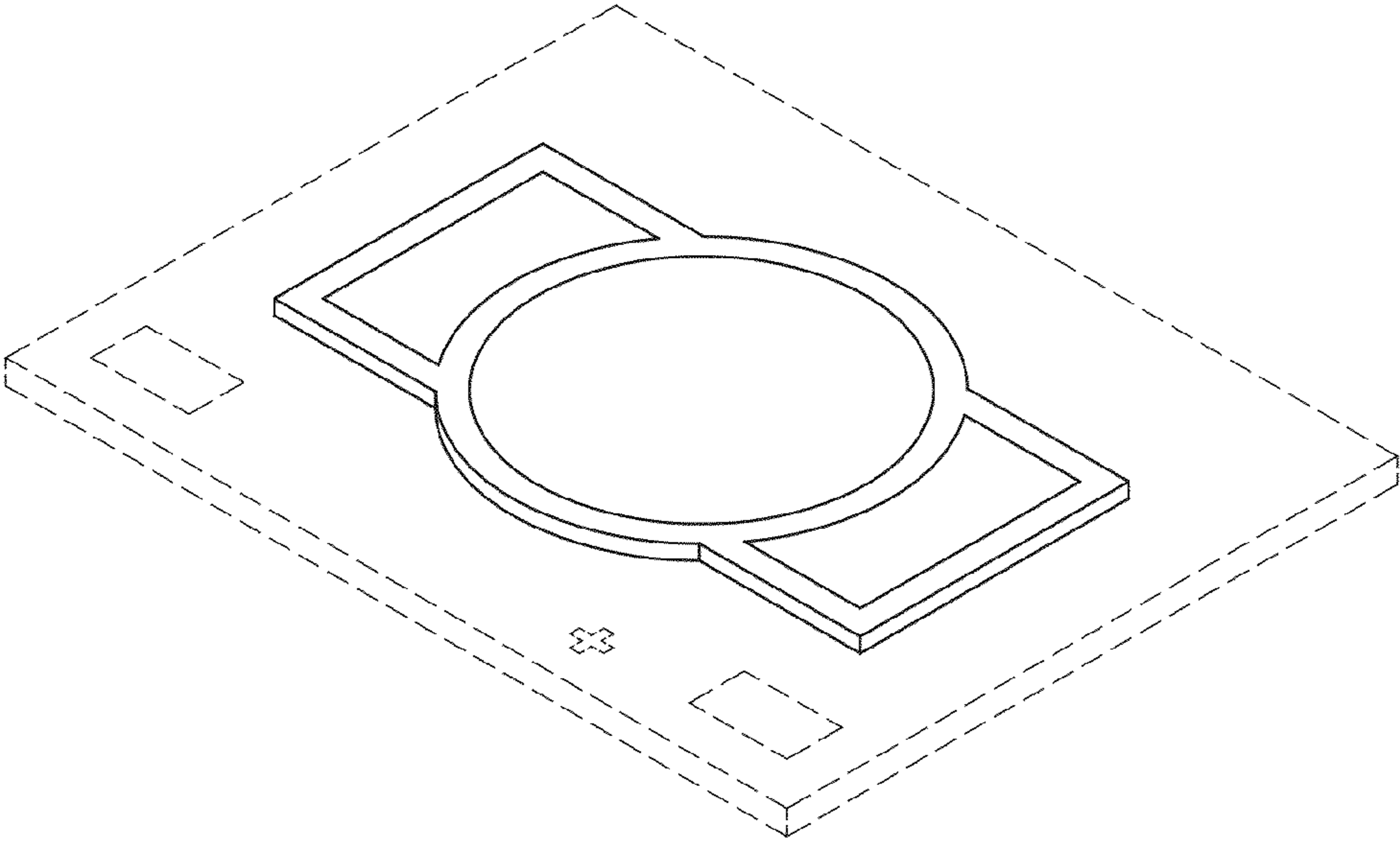


Fig. 2

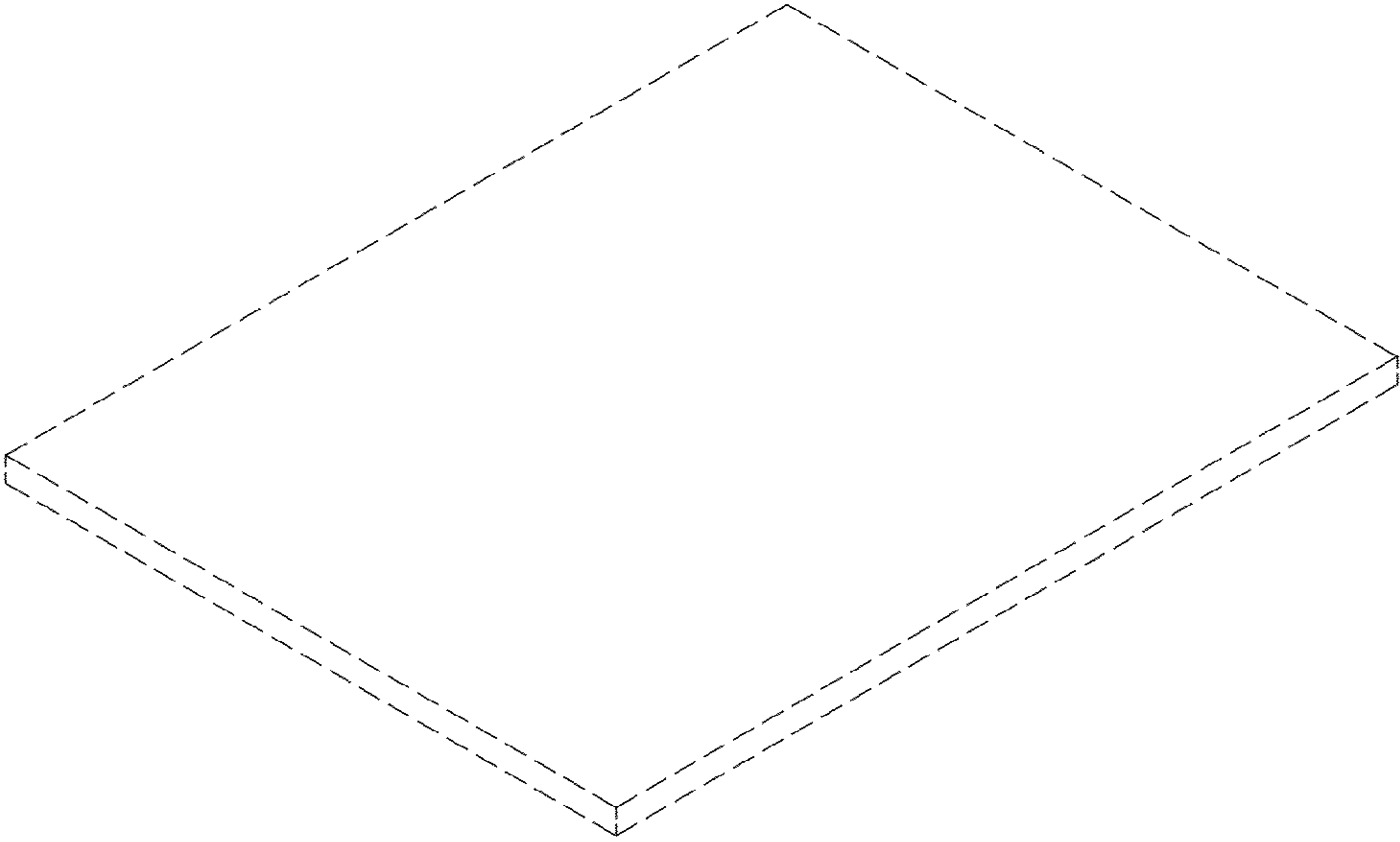


Fig. 3



Fig. 4

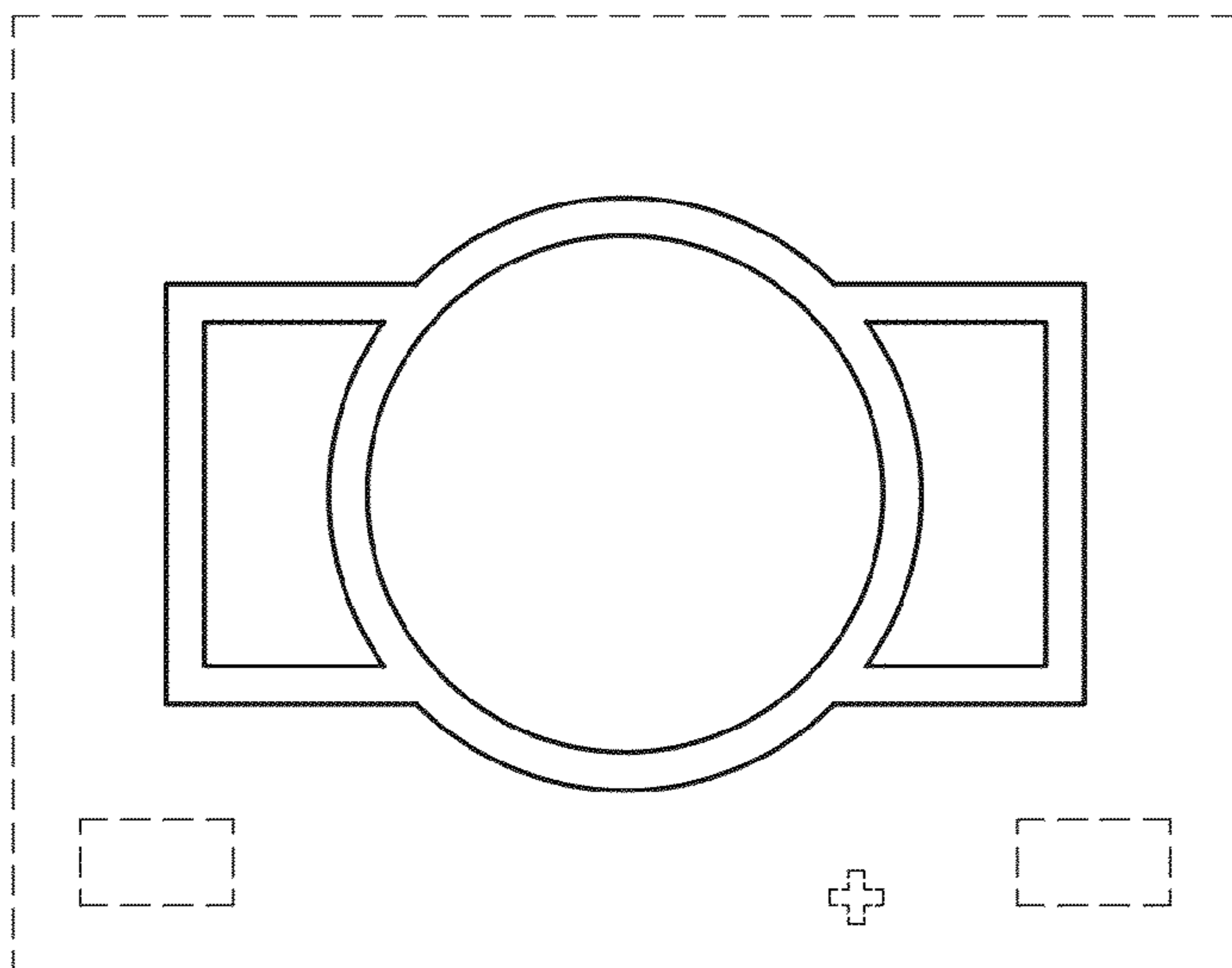


Fig. 5



Fig. 6

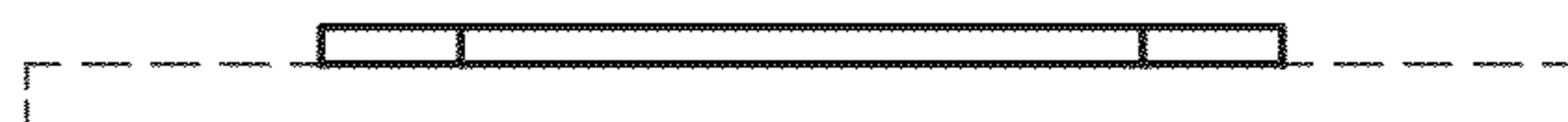


Fig. 7

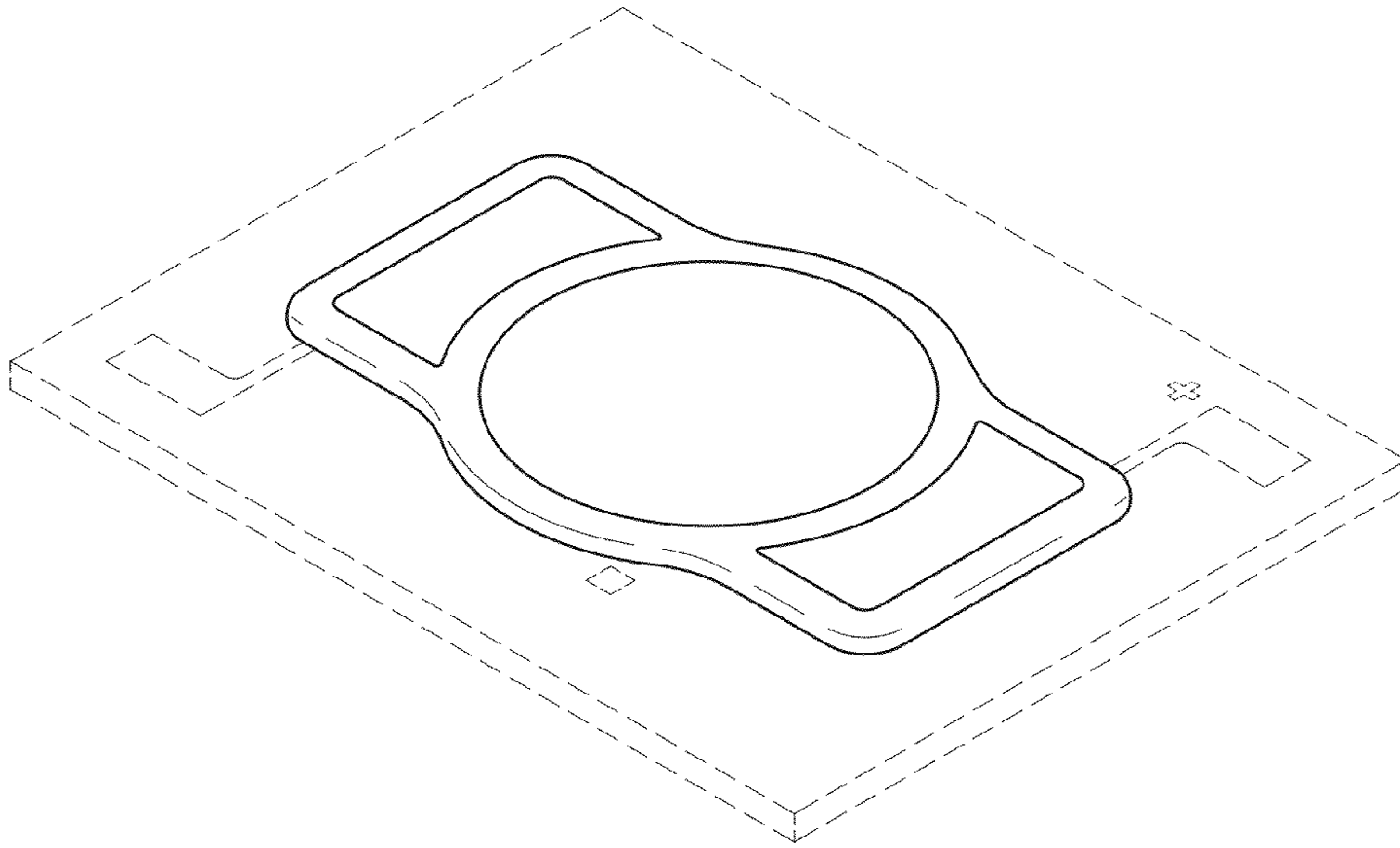


Fig. 8

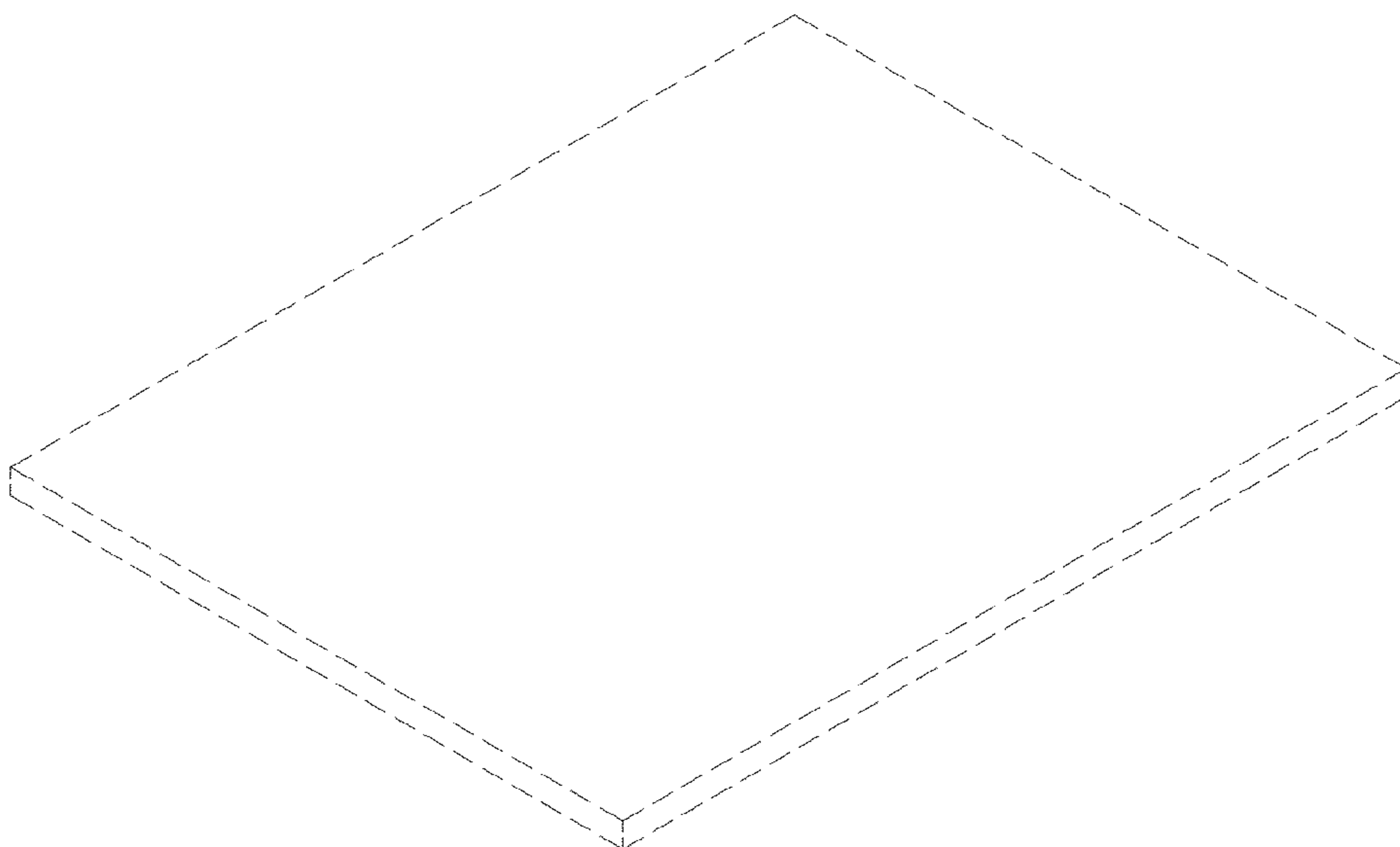


Fig. 9

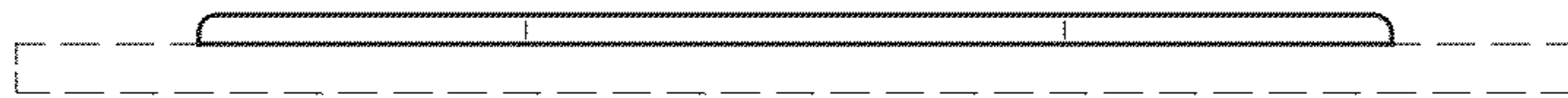


Fig. 10

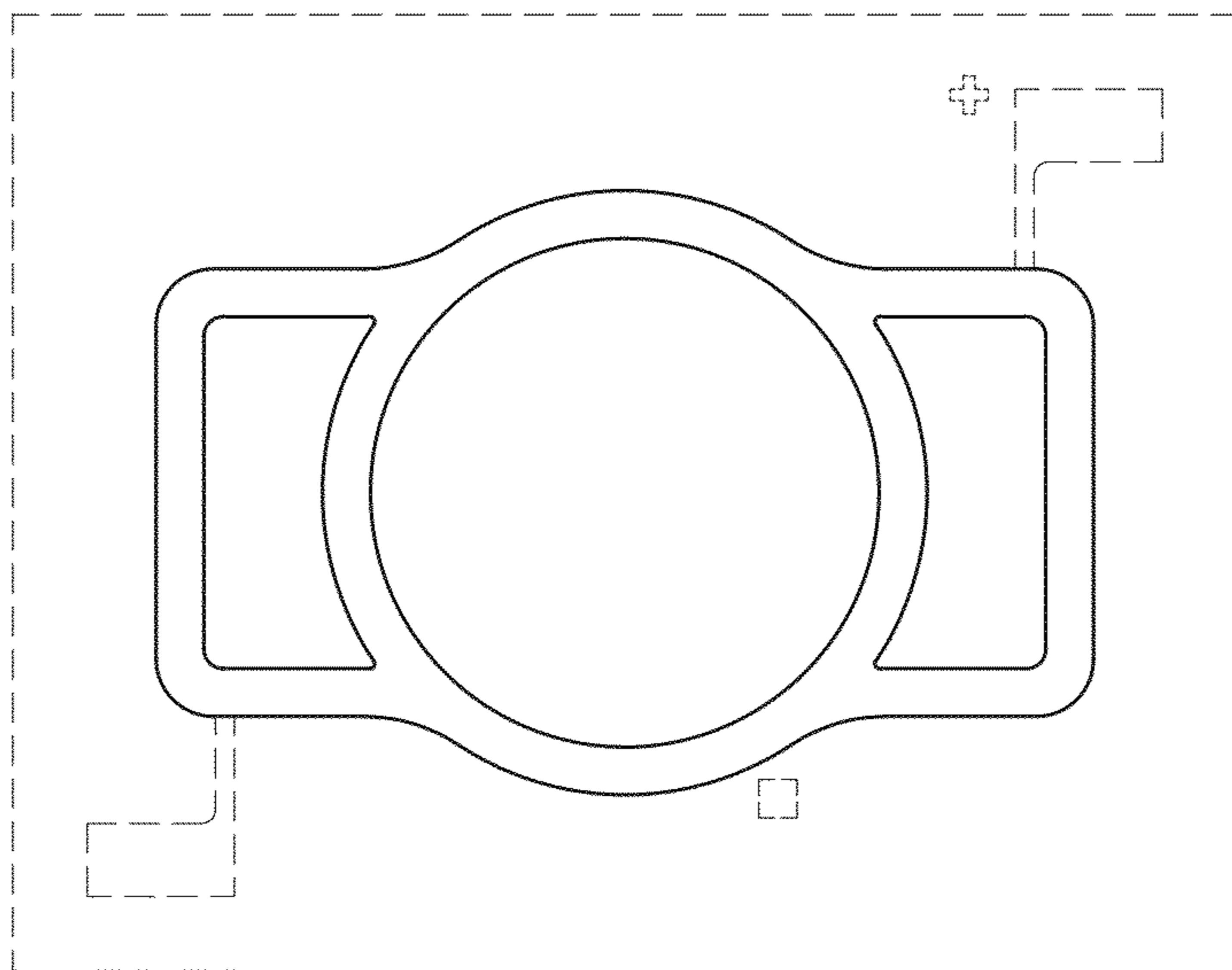


Fig. 11

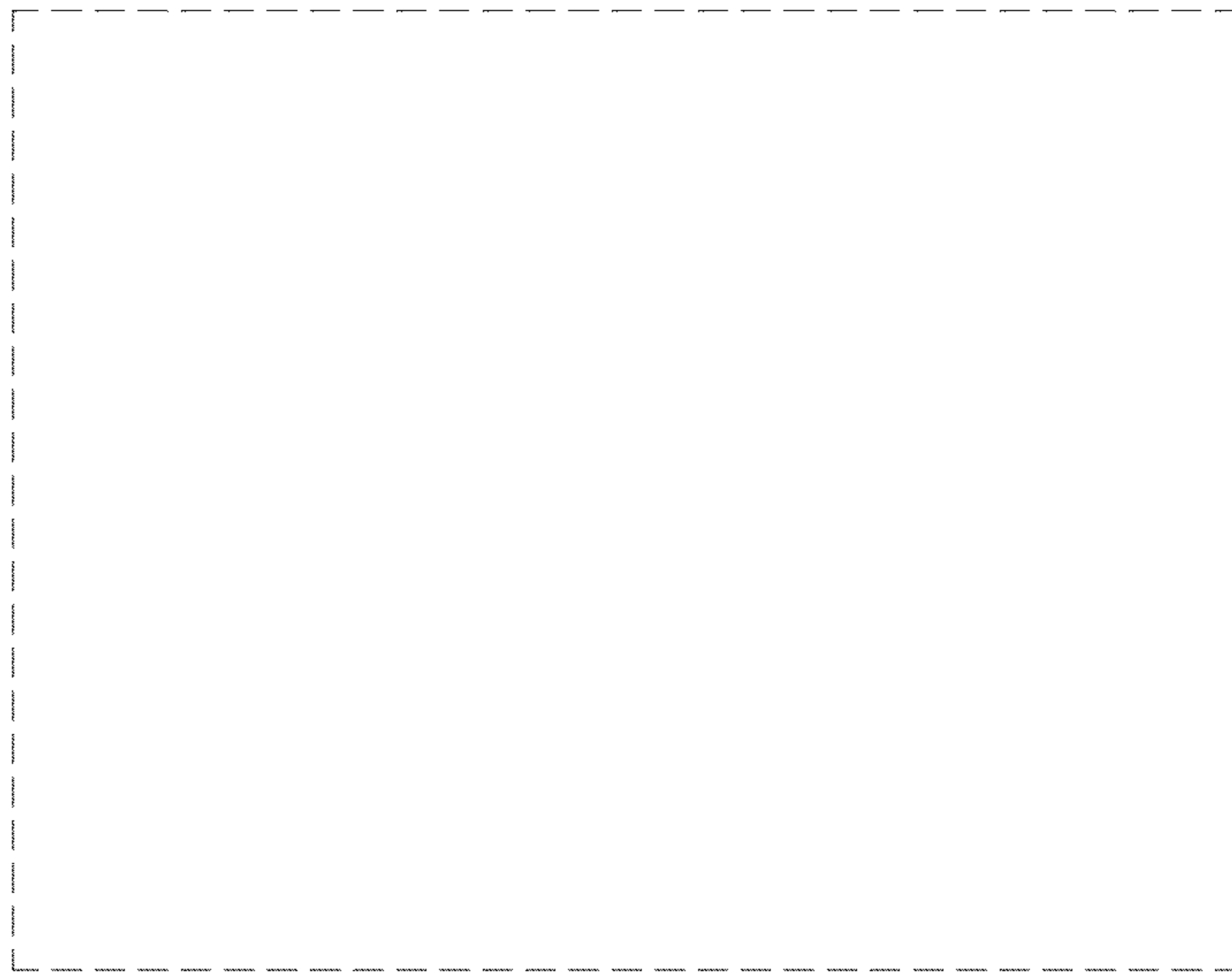


Fig. 12

