



US00D727858S

(12) **United States Design Patent**
Sakai

(10) **Patent No.:** **US D727,858 S**

(45) **Date of Patent:** **** Apr. 28, 2015**

(54) **REMOTE CONTROLLER**

(71) Applicant: **Yuki Sakai**, Chiyoda-ku (JP)

(72) Inventor: **Yuki Sakai**, Chiyoda-ku (JP)

(73) Assignee: **Mitsubishi Electric Corporation**,
Tokyo (JP)

(**) Term: **14 Years**

(21) Appl. No.: **29/440,812**

(22) Filed: **Dec. 27, 2012**

(30) **Foreign Application Priority Data**

Jul. 17, 2012 (JP) 2012-016882

(51) **LOC (10) Cl.** **13-03**

(52) **U.S. Cl.**
USPC **D13/174**

(58) **Field of Classification Search**
USPC D13/162, 164, 168, 171, 174; D7/305,
D7/309; D14/218, 248; 315/209 R, 224,
315/246, 291, 294, 295; 200/5 R, 5 A, 302.2,
200/520, 530, 293, 296, 308, 310, 314, 329,
200/341

See application file for complete search history.

(56) **References Cited**

U.S. PATENT DOCUMENTS

4,937,408	A *	6/1990	Hattori et al.	200/314
D319,167	S *	8/1991	Adams et al.	D7/309
D338,011	S *	8/1993	Carter et al.	D14/218
D355,895	S *	2/1995	Soren et al.	D14/240
5,399,821	A *	3/1995	Inagaki et al.	200/341
D367,061	S *	2/1996	Davison	D14/218
D377,458	S *	1/1997	Tsui	D10/104.1
5,635,927	A *	6/1997	Lin	341/22
D381,662	S *	7/1997	Weissberg et al.	D14/218
D392,945	S *	3/1998	Barry et al.	D13/168
D402,153	S *	12/1998	Saltet	D7/309
D409,201	S *	5/1999	Barraza et al.	D14/218

6,023,033	A *	2/2000	Yagi et al.	200/512
D421,966	S *	3/2000	Allen et al.	D13/174
D434,393	S *	11/2000	Gehr	D13/174
6,326,569	B1 *	12/2001	Ardrey et al.	200/314
6,355,890	B1 *	3/2002	Kuroda	200/5 A
D455,405	S *	4/2002	Bonn	D13/158
6,573,463	B2 *	6/2003	Ono	200/5 A
6,677,545	B2 *	1/2004	Kenmochi	200/314
D514,072	S *	1/2006	Martinez	D13/174
7,633,027	B2 *	12/2009	Sakaguchi et al.	200/302.2
7,705,255	B2 *	4/2010	Yokote	200/302.2
D630,169	S *	1/2011	Nakai et al.	D13/168
8,251,545	B2 *	8/2012	Sin	362/293
8,304,673	B2 *	11/2012	Sun	200/314
D689,828	S *	9/2013	Pierson	D13/174
D696,636	S *	12/2013	Sakai	D13/168
8,604,372	B2 *	12/2013	Yang et al.	200/341
8,624,139	B2 *	1/2014	Huang	200/296
8,664,554	B2 *	3/2014	Iordache	200/314
8,829,375	B2 *	9/2014	Hogan et al.	200/314
2011/0240453	A1 *	10/2011	Shu	200/5 A

* cited by examiner

Primary Examiner — Selina Sikder

(74) *Attorney, Agent, or Firm* — Sughrue Mion, PLLC

(57) **CLAIM**

The ornamental design for a remote controller, as shown and described.

DESCRIPTION

FIG. 1 is a front, top and right side perspective view of a remote controller, showing my new design;
FIG. 2 is a front elevational view thereof;
FIG. 3 is a rear elevational view thereof;
FIG. 4 is a left side elevational view thereof;
FIG. 5 is a right side elevational view thereof;
FIG. 6 is a top plan view thereof;
FIG. 7 is a bottom plan view thereof; and,
FIG. 8 is a reference horizontal cross-sectional view thereof; taken in the direction of line 8-8 in FIG. 2.
The broken lines in all views are shown for illustrative purposes only and form no part of the claimed design.

1 Claim, 6 Drawing Sheets

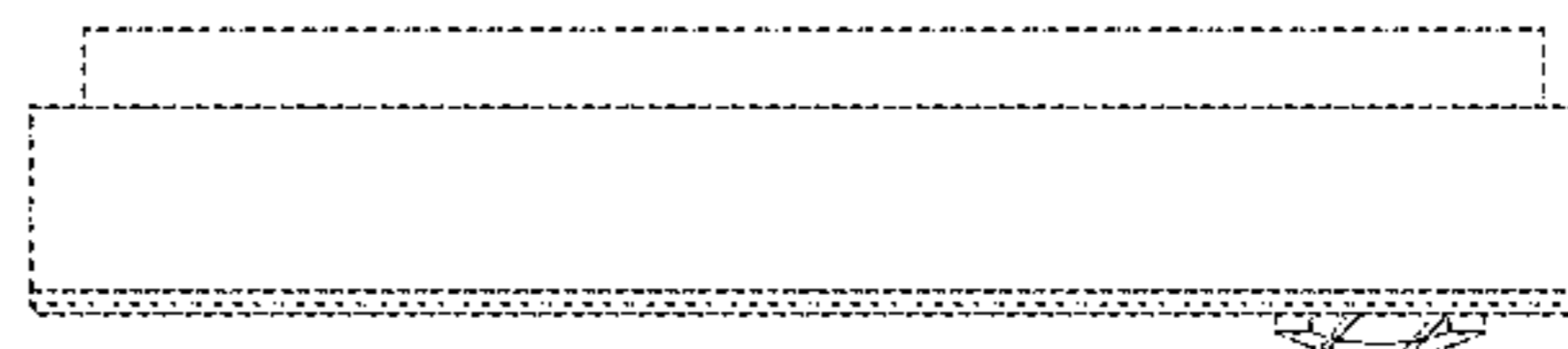
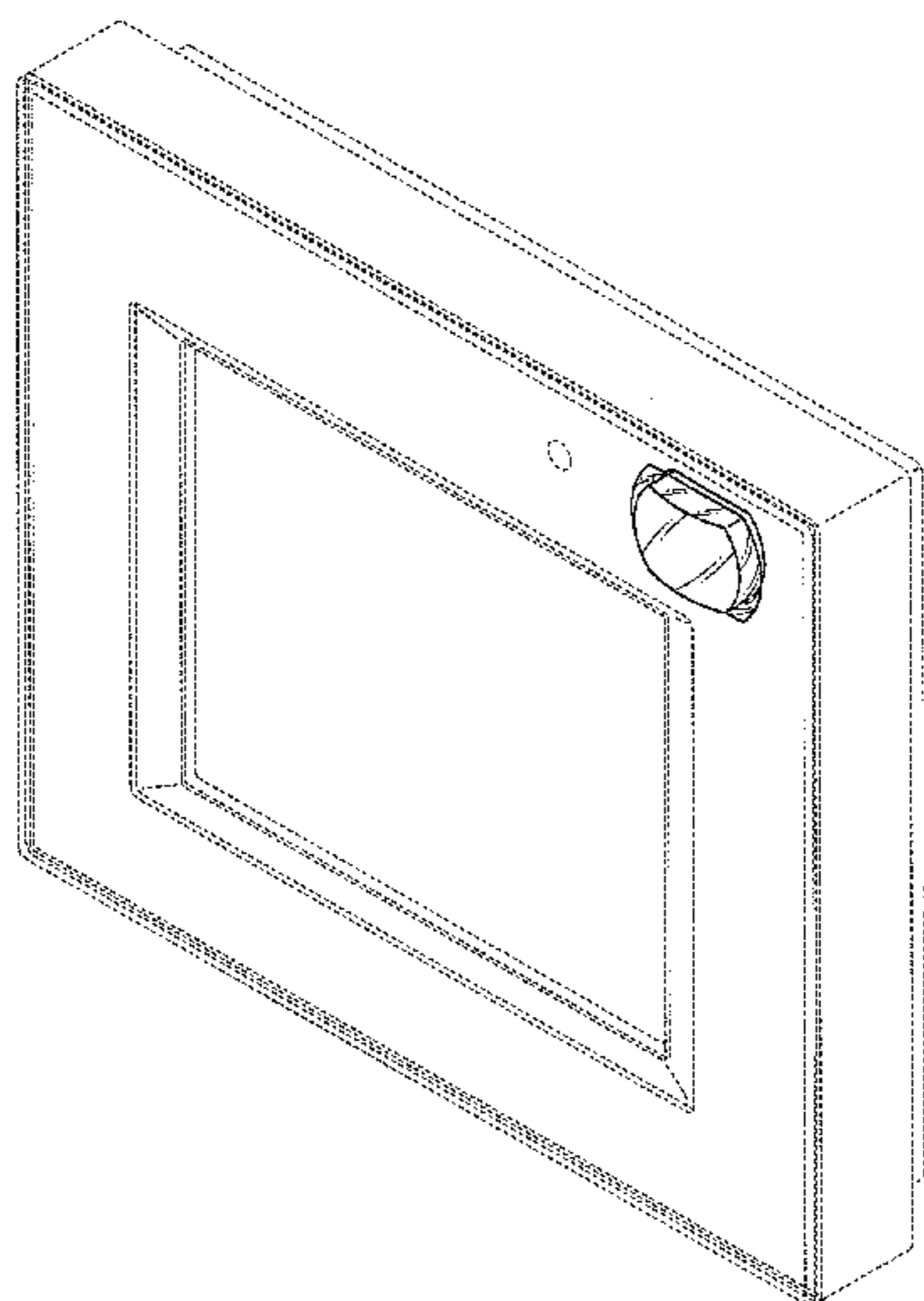


Fig. 1

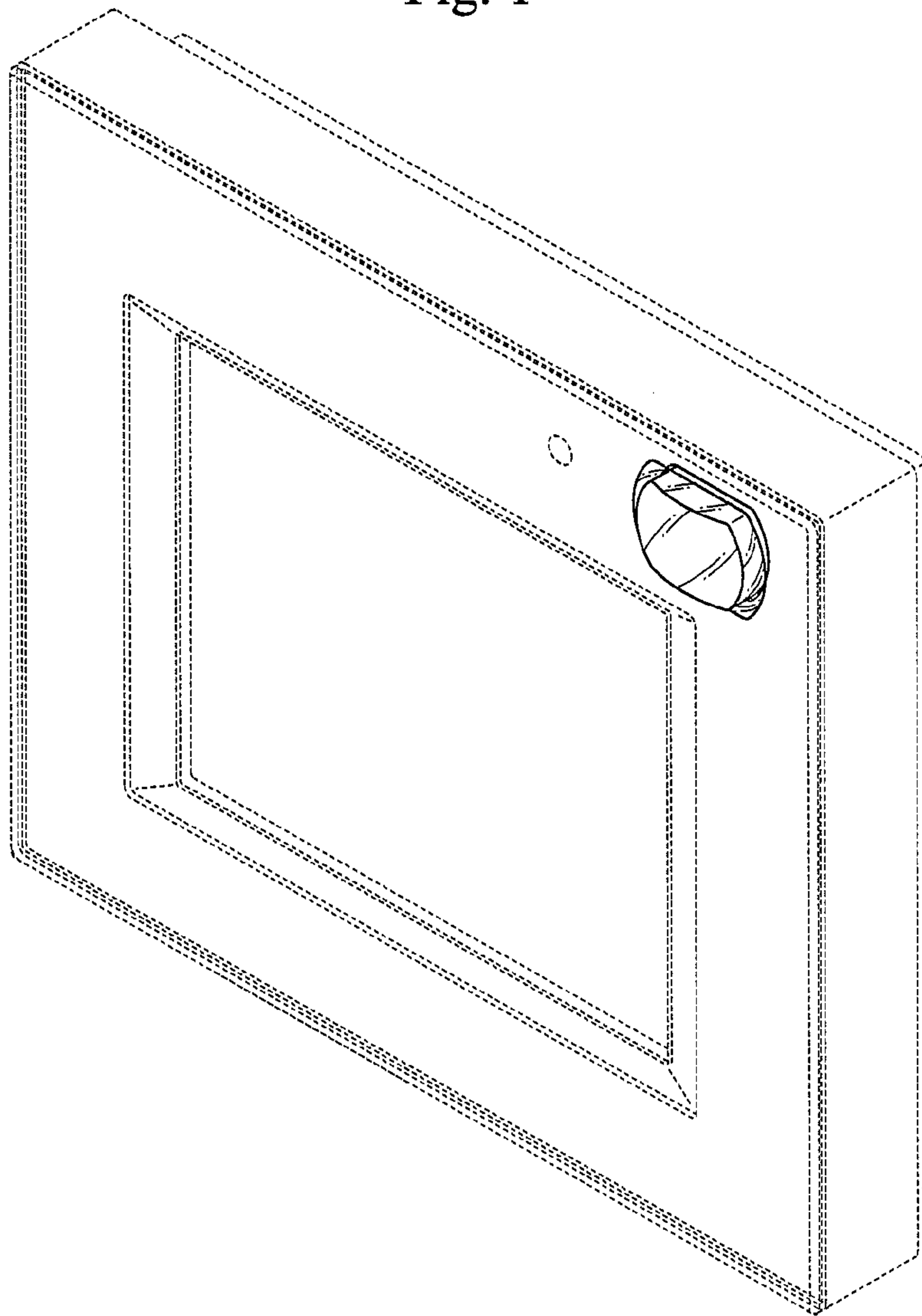


Fig. 2

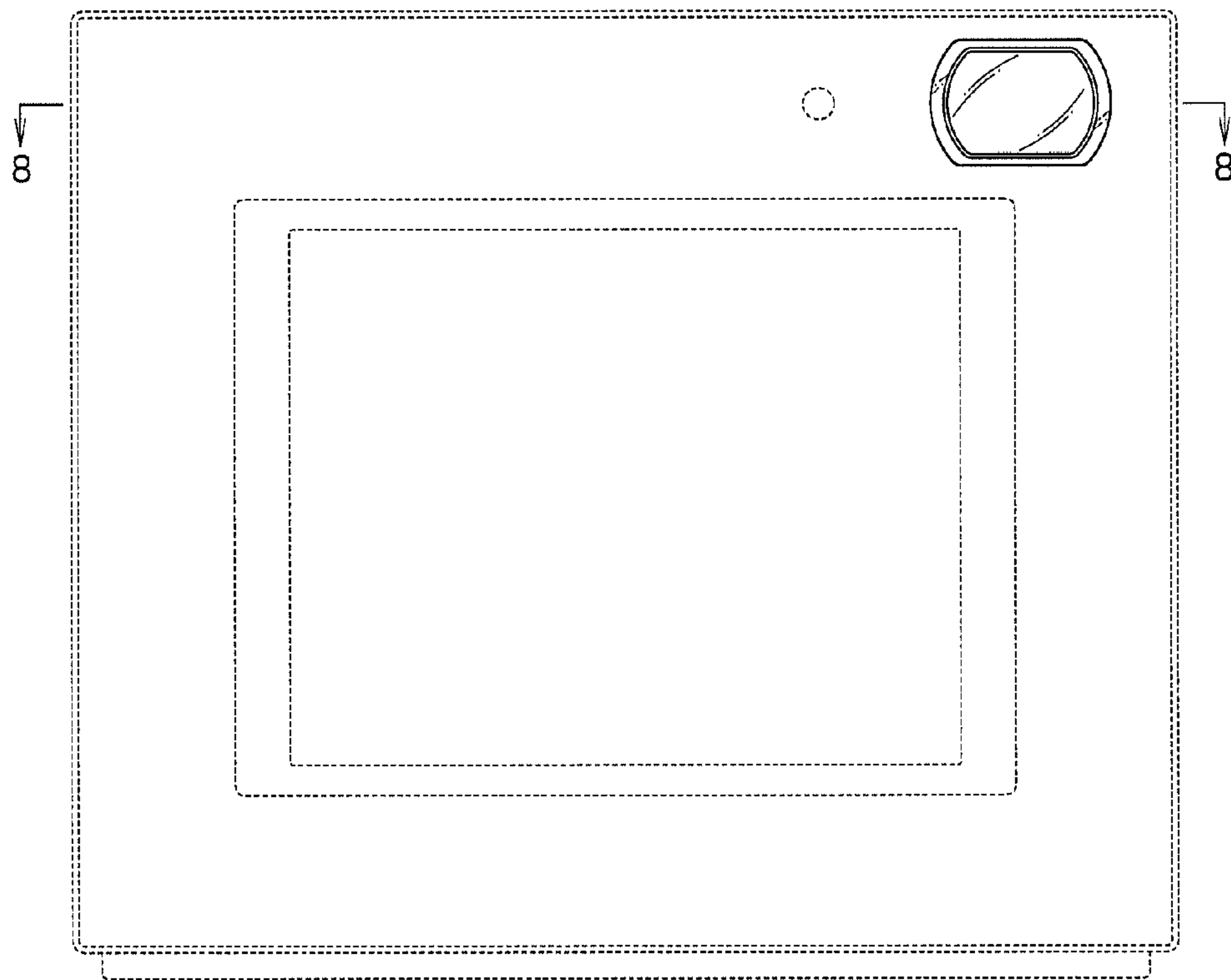


Fig. 3

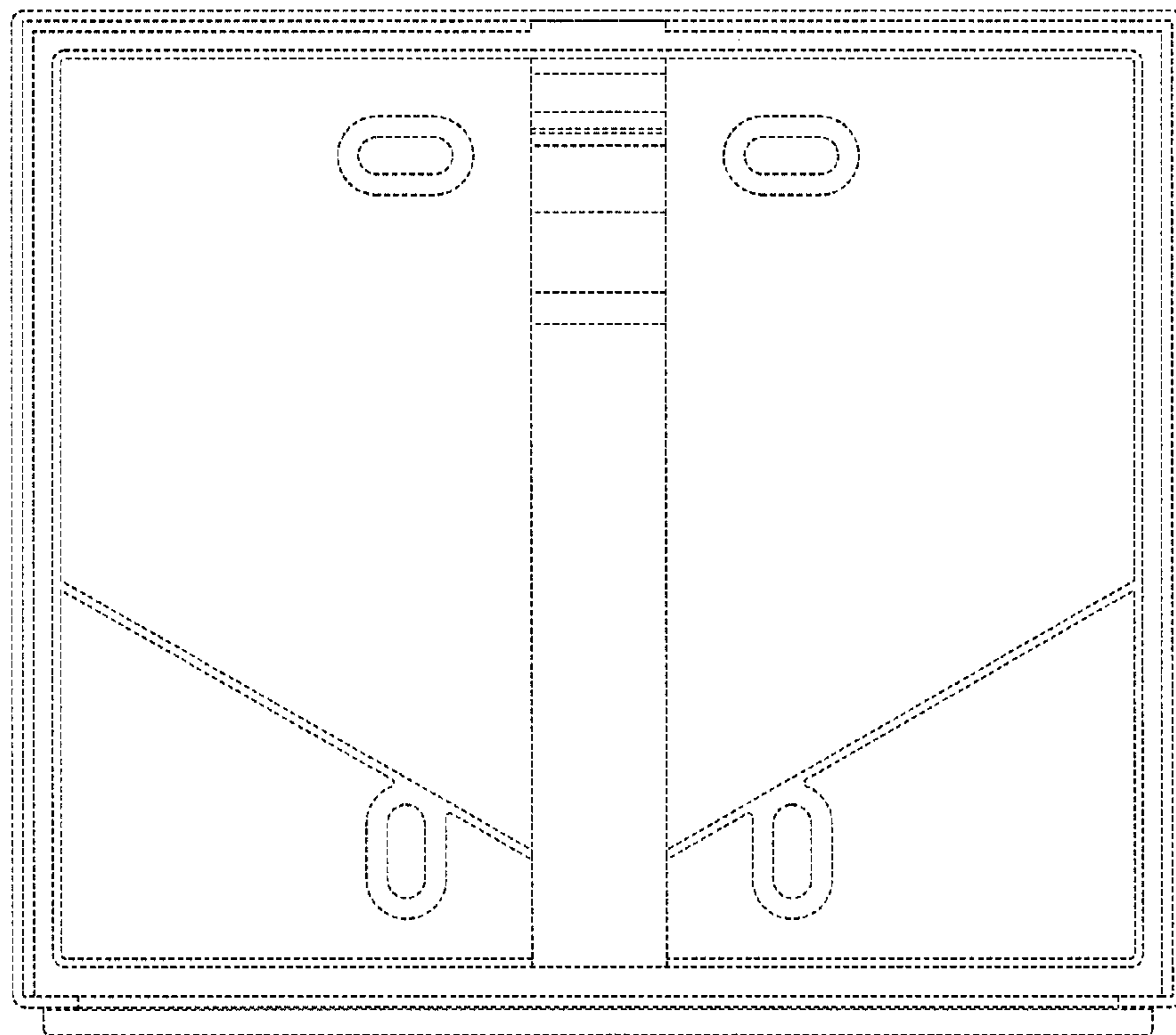


Fig. 4

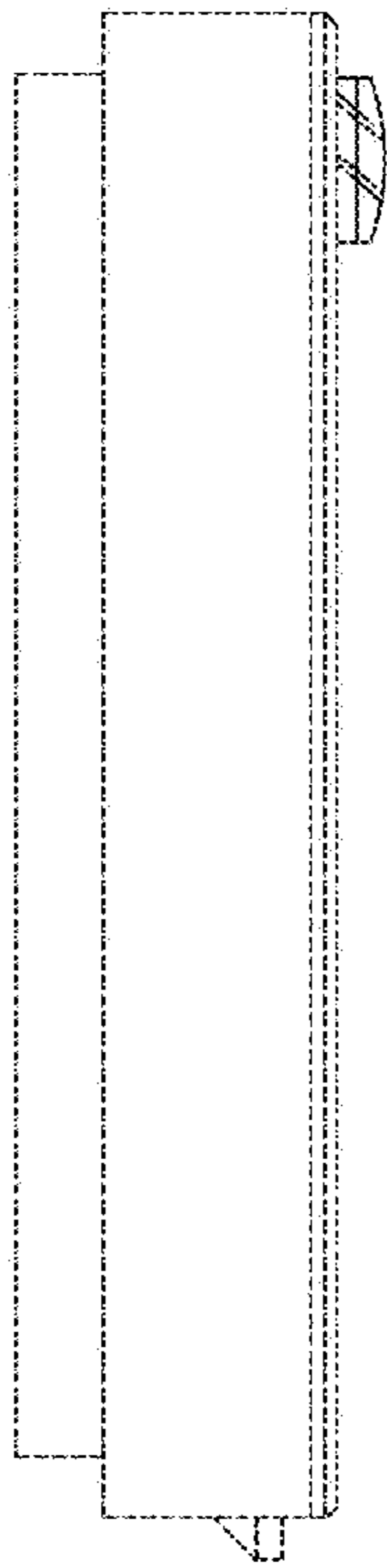


Fig. 5

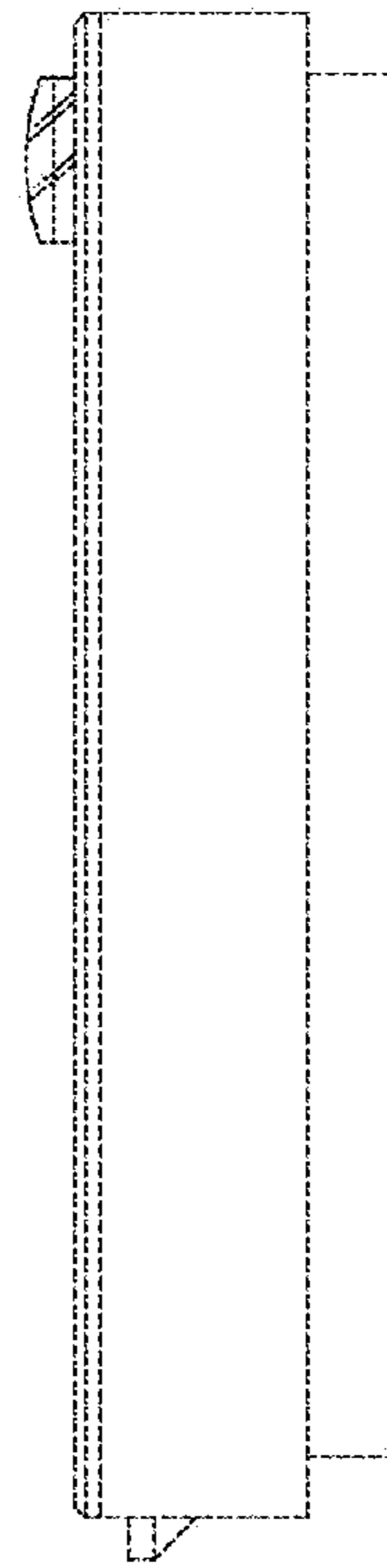


Fig. 6

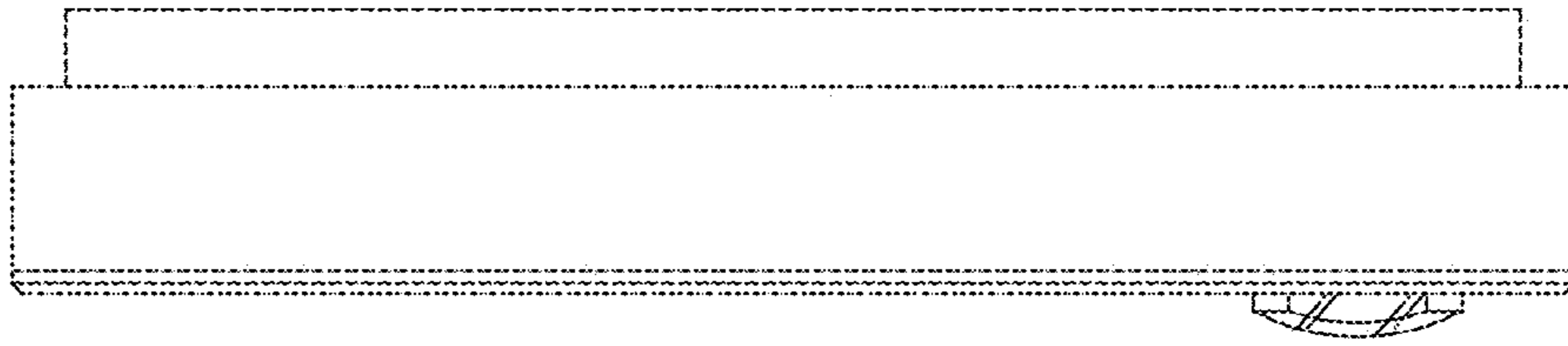


Fig. 7

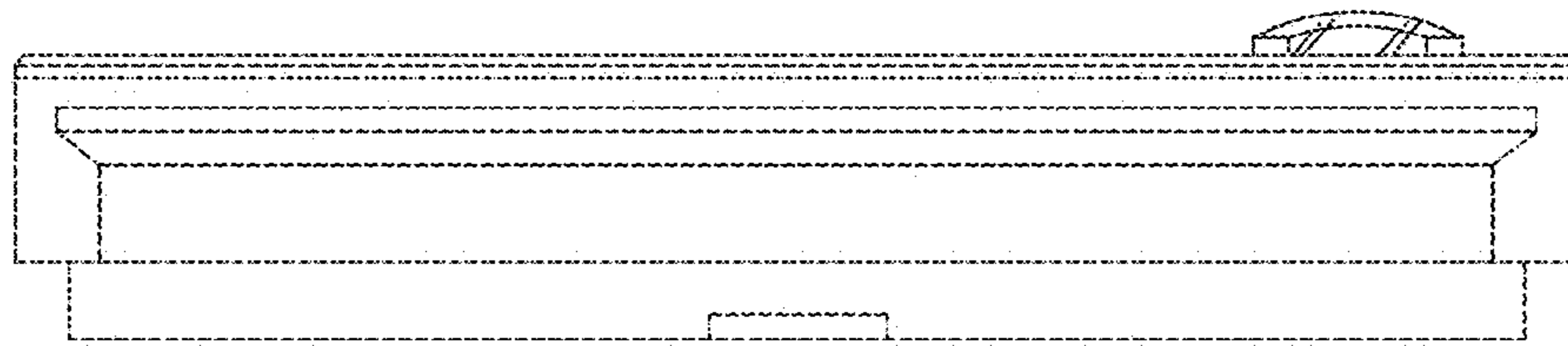


Fig. 8

