



US00D727857S

(12) **United States Design Patent**
Acera et al.

(10) **Patent No.:** **US D727,857 S**
(45) **Date of Patent:** **** Apr. 28, 2015**

- (54) **CONTROL PANEL BOX**
- (71) Applicant: **Linear LLC**, Carlsbad, CA (US)
- (72) Inventors: **Christopher Laguer Acera**, Carlsbad, CA (US); **David Andrew Sharbaugh**, Irvine, CA (US); **Bruce James Ehlers**, Encinitas, CA (US); **Matthew Shane**, San Marcos, CA (US)
- (73) Assignee: **Linear LLC**, Carlsbad, CA (US)
- (**) Term: **14 Years**
- (21) Appl. No.: **29/480,514**
- (22) Filed: **Jan. 27, 2014**
- (51) **LOC (10) Cl.** **13-03**
- (52) **U.S. Cl.**
USPC **D13/162**
- (58) **Field of Classification Search**
USPC D13/162, 164; D10/49, 50, 104.1, D10/106.1, 106.95; D14/126, 336, 371, D14/374, 389; D6/300, 308; 345/173; 348/184, 325, 739; 178/18.01, 18.03, 178/18.06, 18.11; 361/679.21; 362/85, 561; 700/17, 83; 715/700, 810
See application file for complete search history.

D602,259	S	*	10/2009	Finnegan	D6/300
D614,871	S	*	5/2010	Tang et al.	D6/308
D648,641	S	*	11/2011	Wallaert et al.	D10/50
D664,513	S	*	7/2012	Laube et al.	D14/126
D684,872	S	*	6/2013	Bias et al.	D10/49
D695,234	S	*	12/2013	Santiago et al.	D13/162
2004/0095332	A1	*	5/2004	Blanchard	345/173
2004/0164966	A1	*	8/2004	Lee	345/173
2006/0055681	A1	*	3/2006	West et al.	345/173
2009/0174996	A1	*	7/2009	Park	361/679.21

* cited by examiner

Primary Examiner — Selina Sikder

(74) *Attorney, Agent, or Firm* — Schwegman Lundberg & Woessner, P.A.

(57) **CLAIM**

The ornamental design for a control panel box, as shown and described.

DESCRIPTION

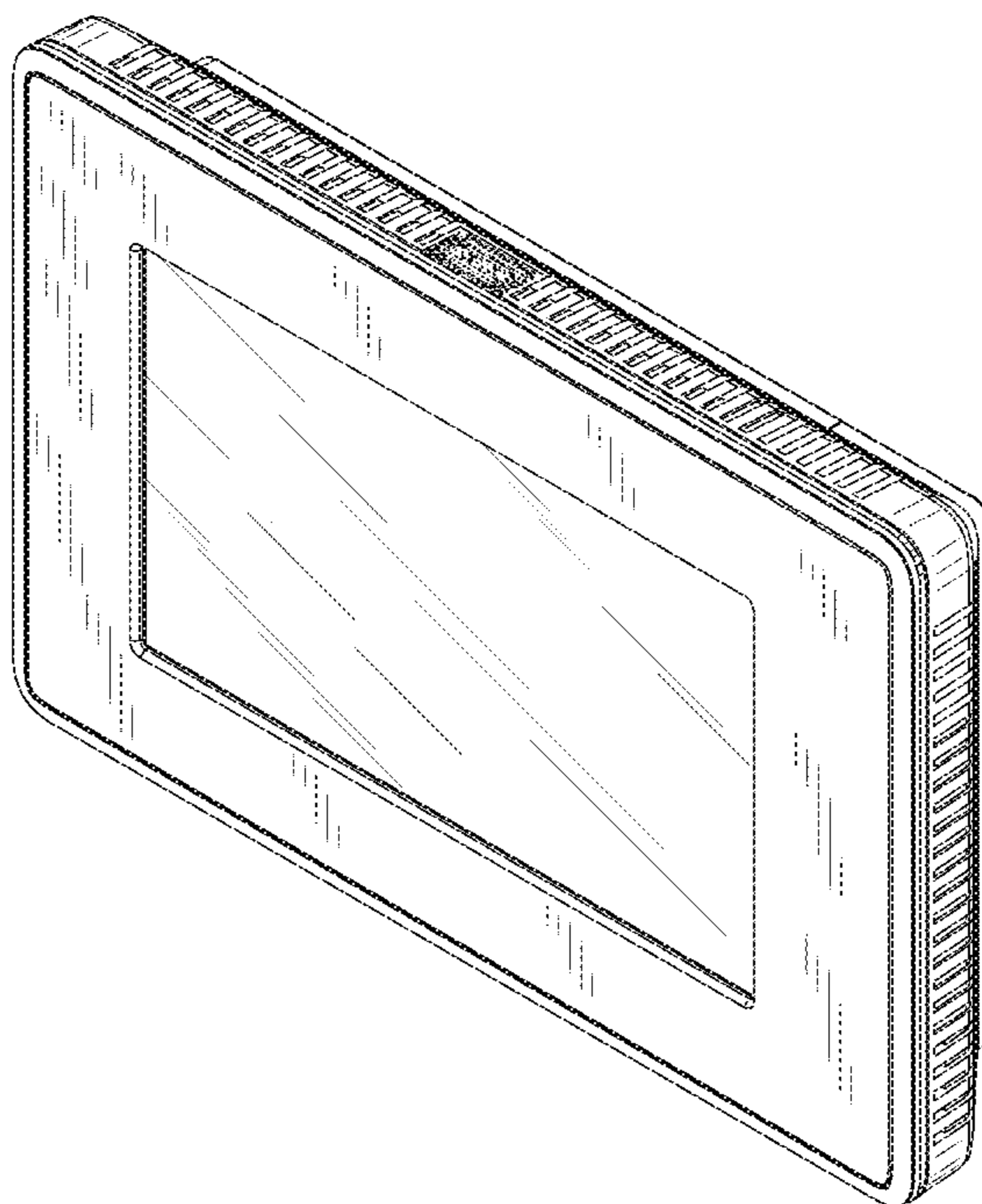
FIG. 1 is a perspective view of the control panel box.
 FIG. 2 is a front elevation view thereof.
 FIG. 3 is a rear plan view thereof.
 FIG. 4 is a right end view thereof.
 FIG. 5 is a left end view thereof.
 FIG. 6 is a top plan view thereof;
 FIG. 7 is a bottom plan view thereof;
 FIG. 8 is a side front perspective view thereof; and,
 FIG. 9 is a rear perspective view thereof.
 Portions shown in broken lines are for environmental purposes but do constitute a part of the claimed invention.

1 Claim, 7 Drawing Sheets

(56) **References Cited**

U.S. PATENT DOCUMENTS

6,677,934	B1	*	1/2004	Blanchard	345/175
D568,257	S	*	5/2008	Tatsuyama et al.	D13/162
7,427,982	B2	*	9/2008	Fujii et al.	345/173



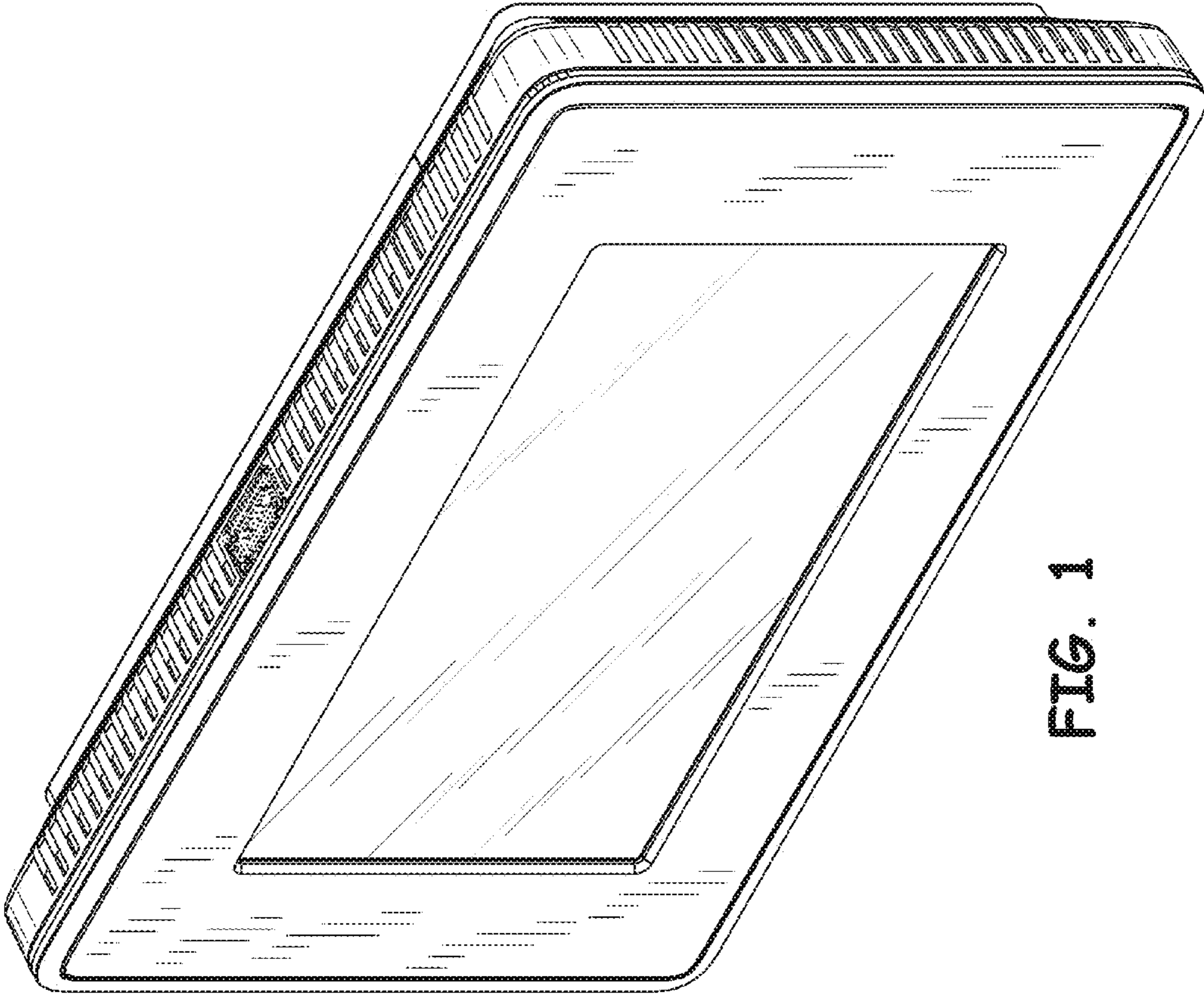


FIG. 1

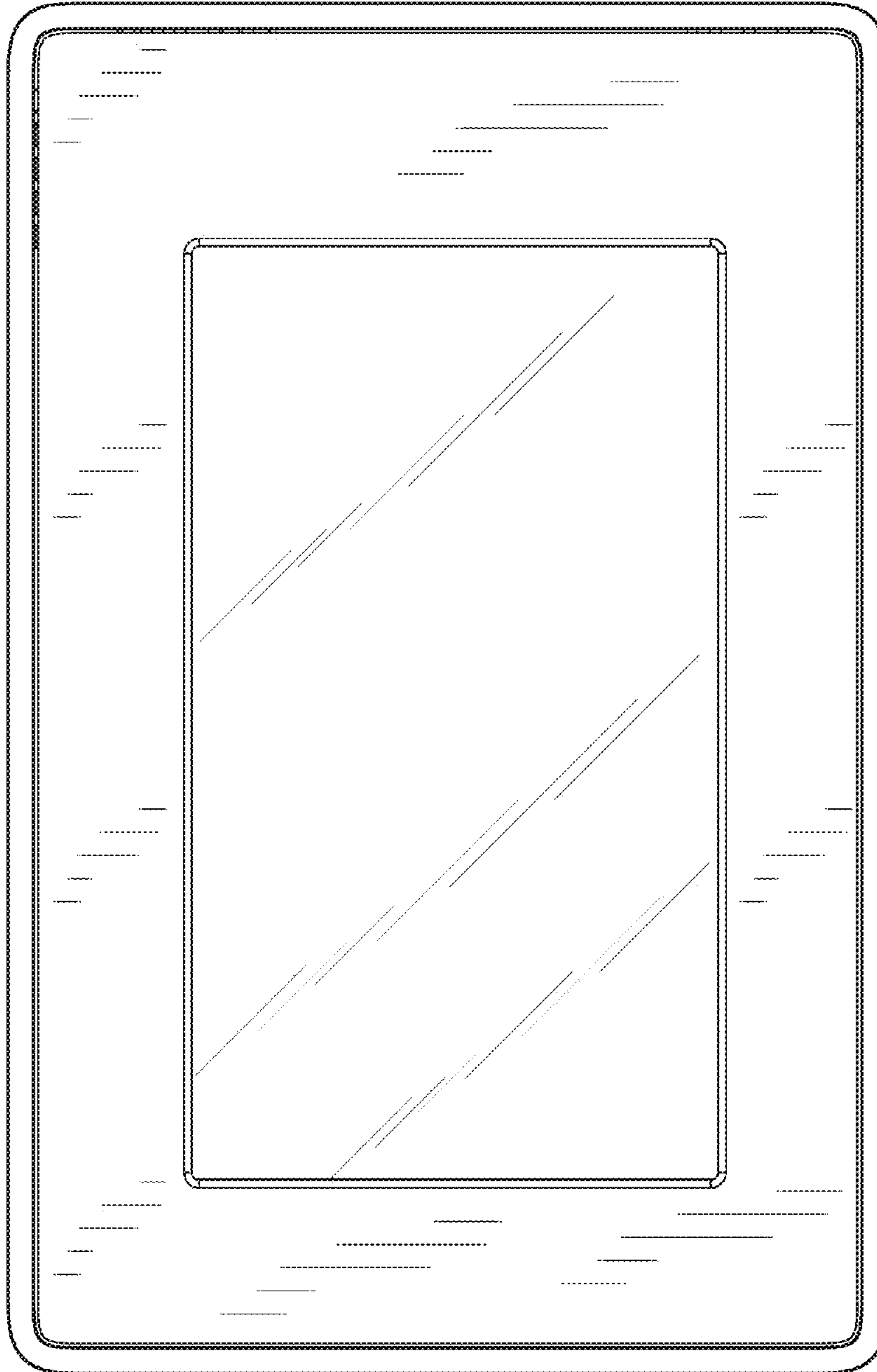


FIG. 2

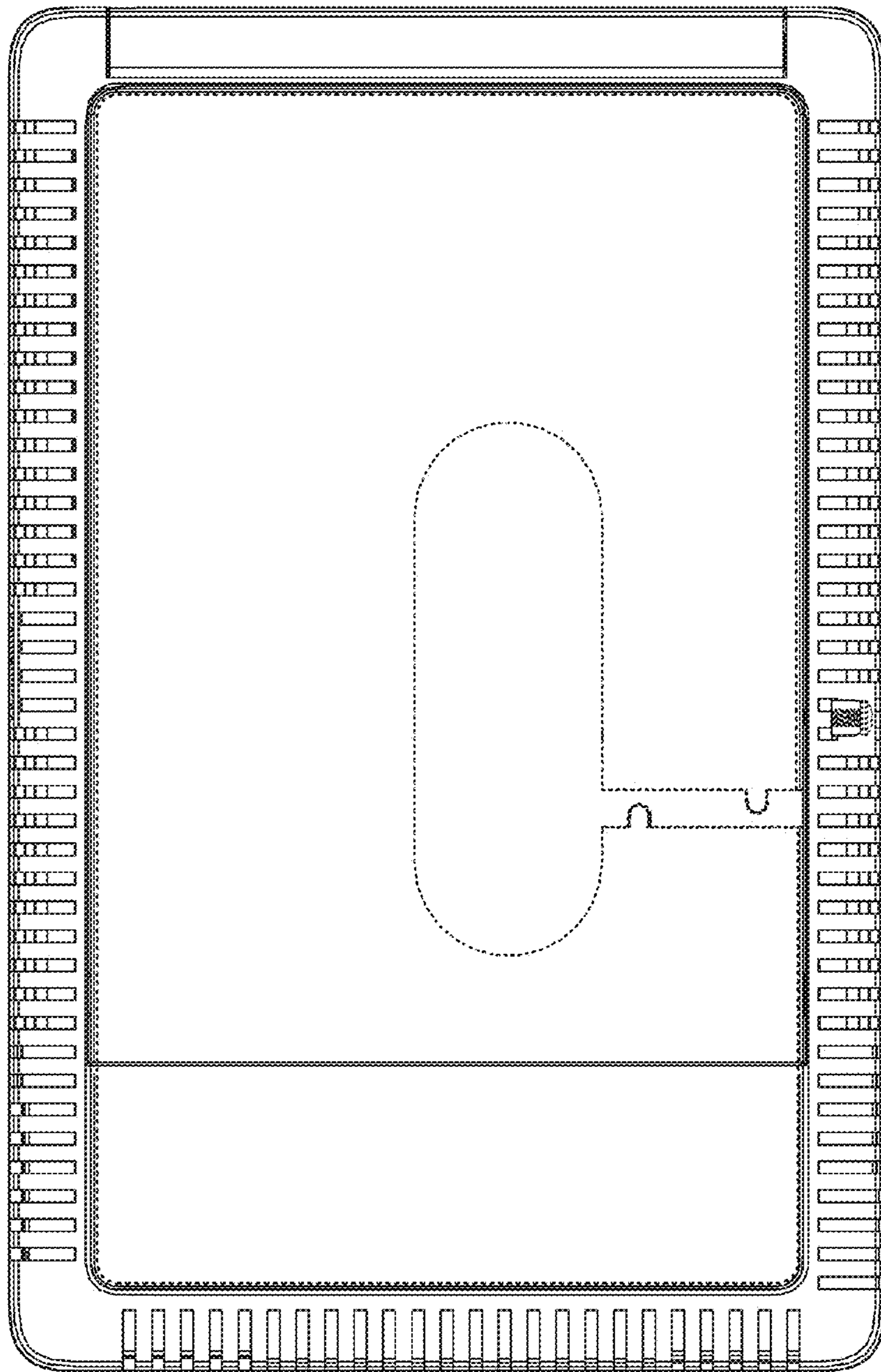


FIG. 3



FIG. 5

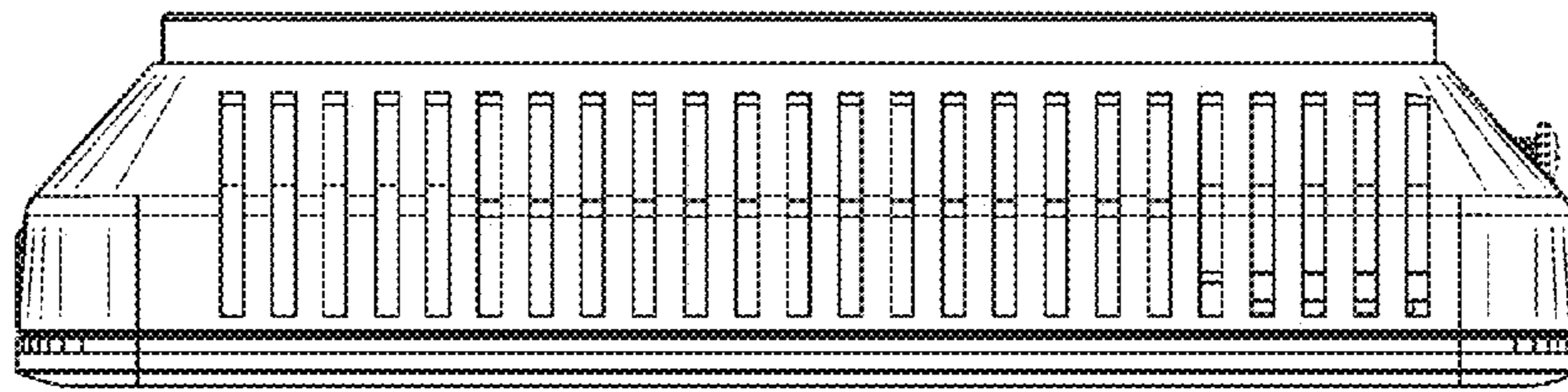


FIG. 4

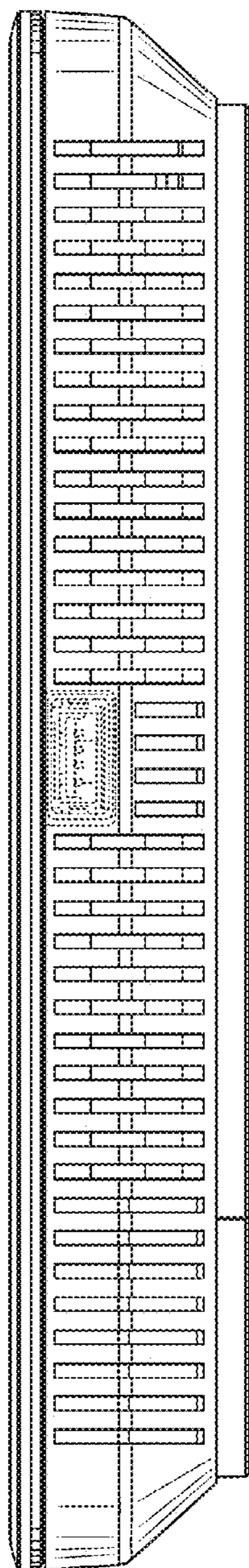


FIG. 6

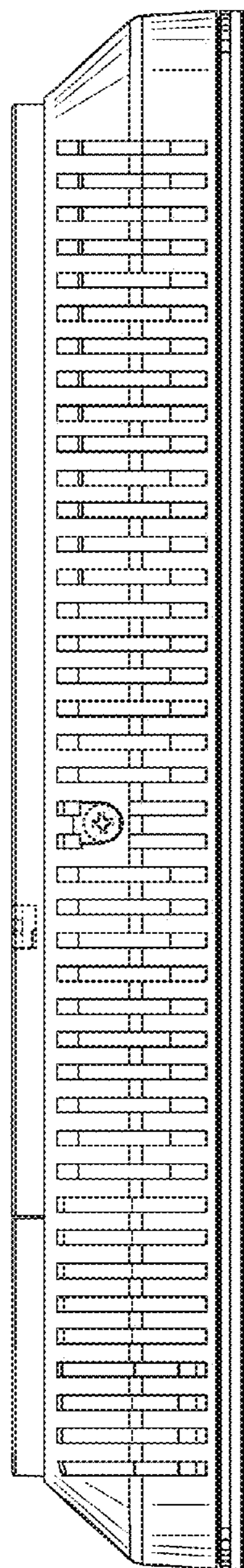


FIG. 7

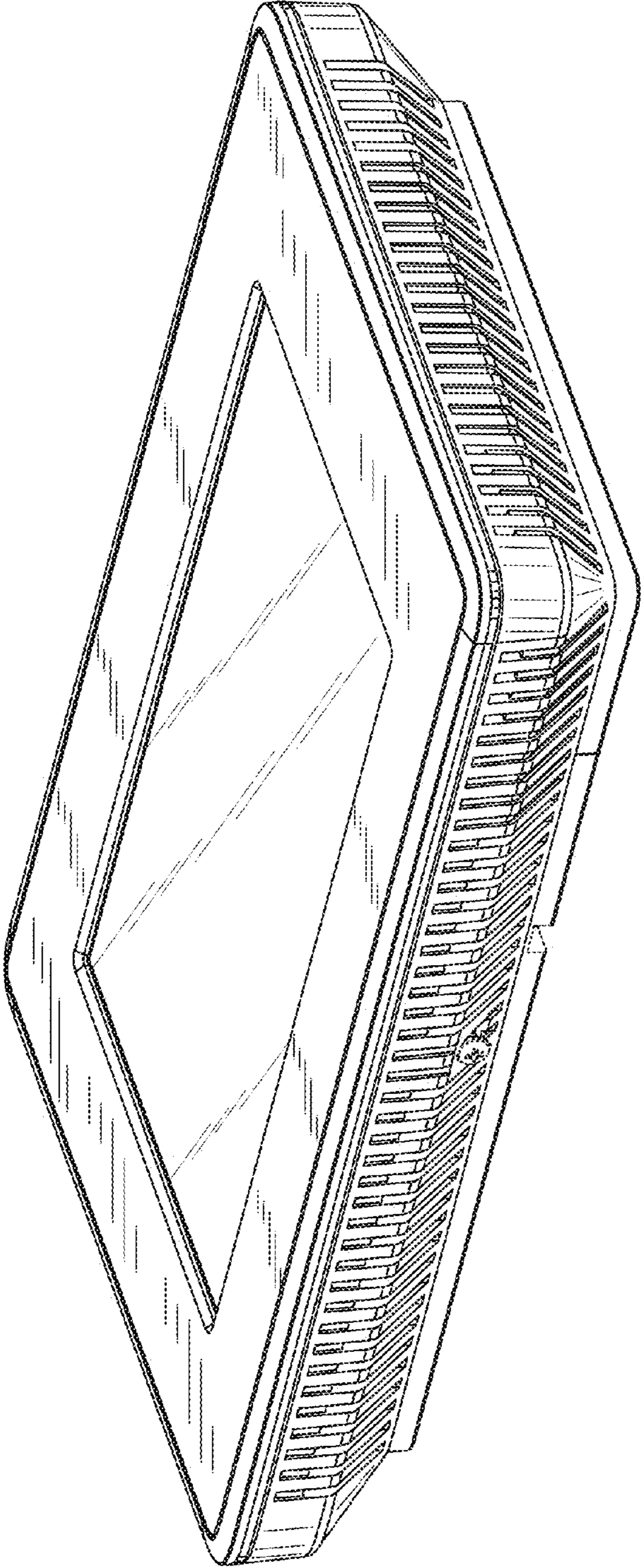


FIG. 8

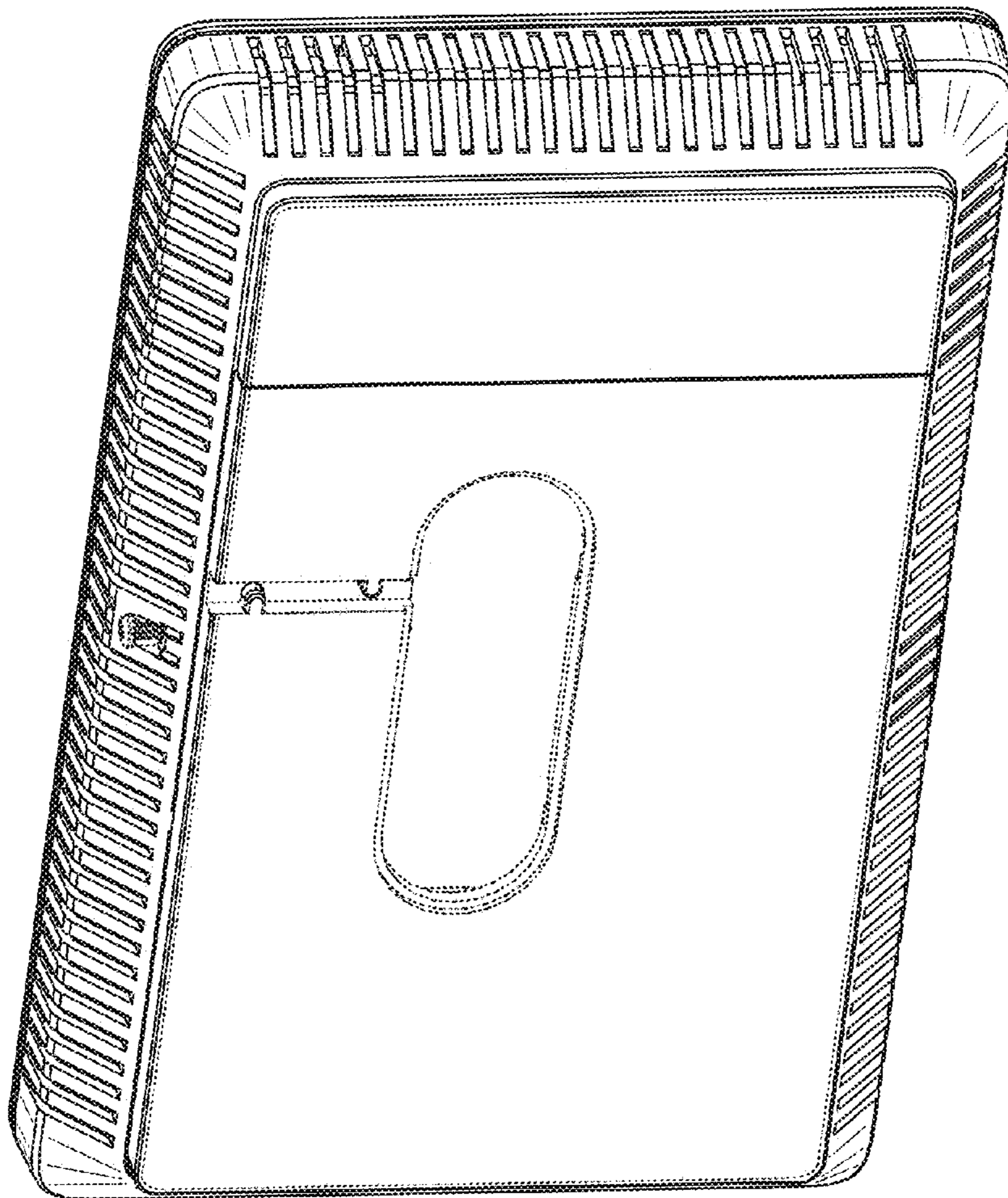


FIG. 9