

US00D727849S

(12) **United States Design Patent**  
**Fukano et al.**

(10) **Patent No.:** **US D727,849 S**  
(45) **Date of Patent:** **\*\* Apr. 28, 2015**

(54) **SOCKET FOR LIGHT-EMITTING DIODE LAMP**

(71) Applicant: **Panasonic Corporation**, Osaka (JP)

(72) Inventors: **Satoshi Fukano**, Nara (JP); **Tetsuya Matsumoto**, Gunma (JP); **Masazumi Takakura**, Osaka (JP)

(73) Assignee: **Panasonic Intellectual Property Management Co., Ltd.**, Osaka (JP)

(\*\*) Term: **14 Years**

(21) Appl. No.: **29/462,446**

(22) Filed: **Aug. 5, 2013**

(30) **Foreign Application Priority Data**

Feb. 8, 2013 (JP) ..... 2013-002466  
Feb. 8, 2013 (JP) ..... 2013-002467

(51) **LOC (10) Cl.** ..... **13-03**

(52) **U.S. Cl.**  
USPC ..... **D13/134**

(58) **Field of Classification Search**  
USPC ..... 313/318.01, 318.12; 362/430, 555, 581, 362/651; 439/131, 226, 236, 256, 300, 336, 439/534, 602, 604, 605; D13/133, 134, D13/135, 136, 151, 154, 158, 180, 184, D13/199; D26/106, 113, 2, 24, 26, 3, 60, 61  
See application file for complete search history.

(56) **References Cited**

**U.S. PATENT DOCUMENTS**

D294,019 S \* 2/1988 Futatsugi et al. .... D13/134  
D331,222 S \* 11/1992 Van Riper et al. .... D13/134

D365,886 S \* 1/1996 Strazhnik ..... D26/60  
D377,005 S \* 12/1996 Lin ..... D13/134  
D415,468 S \* 10/1999 Klaus et al. .... D13/134  
D500,736 S 1/2005 Isoda et al.  
D506,979 S \* 7/2005 Wiskerke ..... D13/134  
D514,066 S \* 1/2006 Wiskerke ..... D13/134  
D514,516 S \* 2/2006 Wiskerke ..... D13/134  
D521,451 S \* 5/2006 Wiskerke ..... D13/134  
D647,850 S \* 11/2011 Osada ..... D13/134  
D647,851 S \* 11/2011 Osada ..... D13/134  
8,308,497 B2 \* 11/2012 Zayas et al. .... 439/236  
2005/0202704 A1 \* 9/2005 Lingemann et al. .... 439/236

**FOREIGN PATENT DOCUMENTS**

JP D1183611 9/2003  
JP D1295733 3/2007

\* cited by examiner

*Primary Examiner* — Derrick Holland

*Assistant Examiner* — Jennifer O King

(74) *Attorney, Agent, or Firm* — Panasonic Patent Center

(57) **CLAIM**

We claim the ornamental design for a socket for light-emitting diode lamp, as shown and described.

**DESCRIPTION**

FIG. 1 is a front perspective view of a socket for light-emitting diode lamp of the present invention;  
FIG. 2 is a front view thereof;  
FIG. 3 is a rear view thereof;  
FIG. 4 is a first side view thereof;  
FIG. 5 is a second side view thereof;  
FIG. 6 is a top view thereof; and,  
FIG. 7 is a bottom view thereof.

The broken lines shown represent unclaimed subject matter and form no part of the claimed design.

**1 Claim, 7 Drawing Sheets**

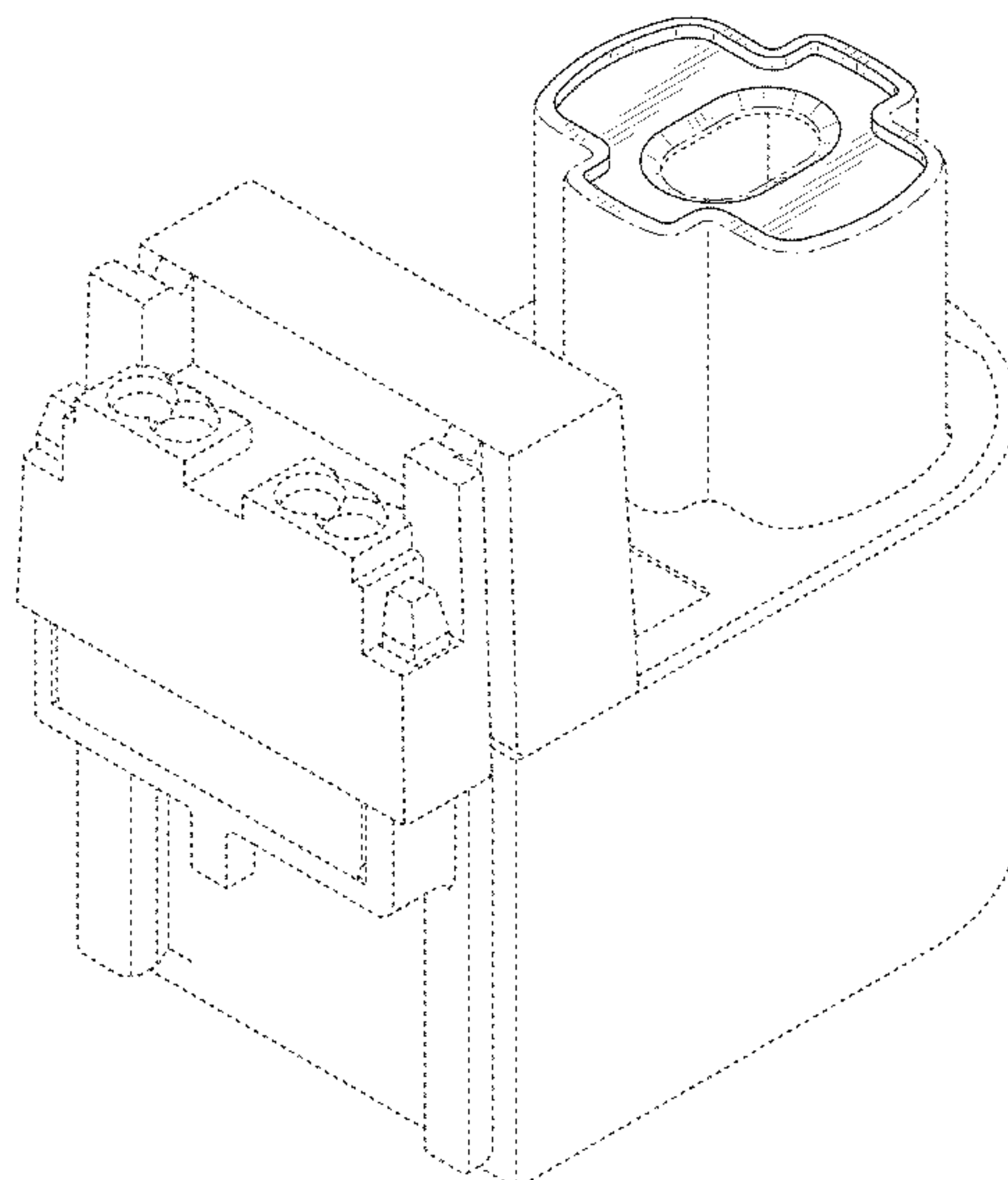


FIG. 1

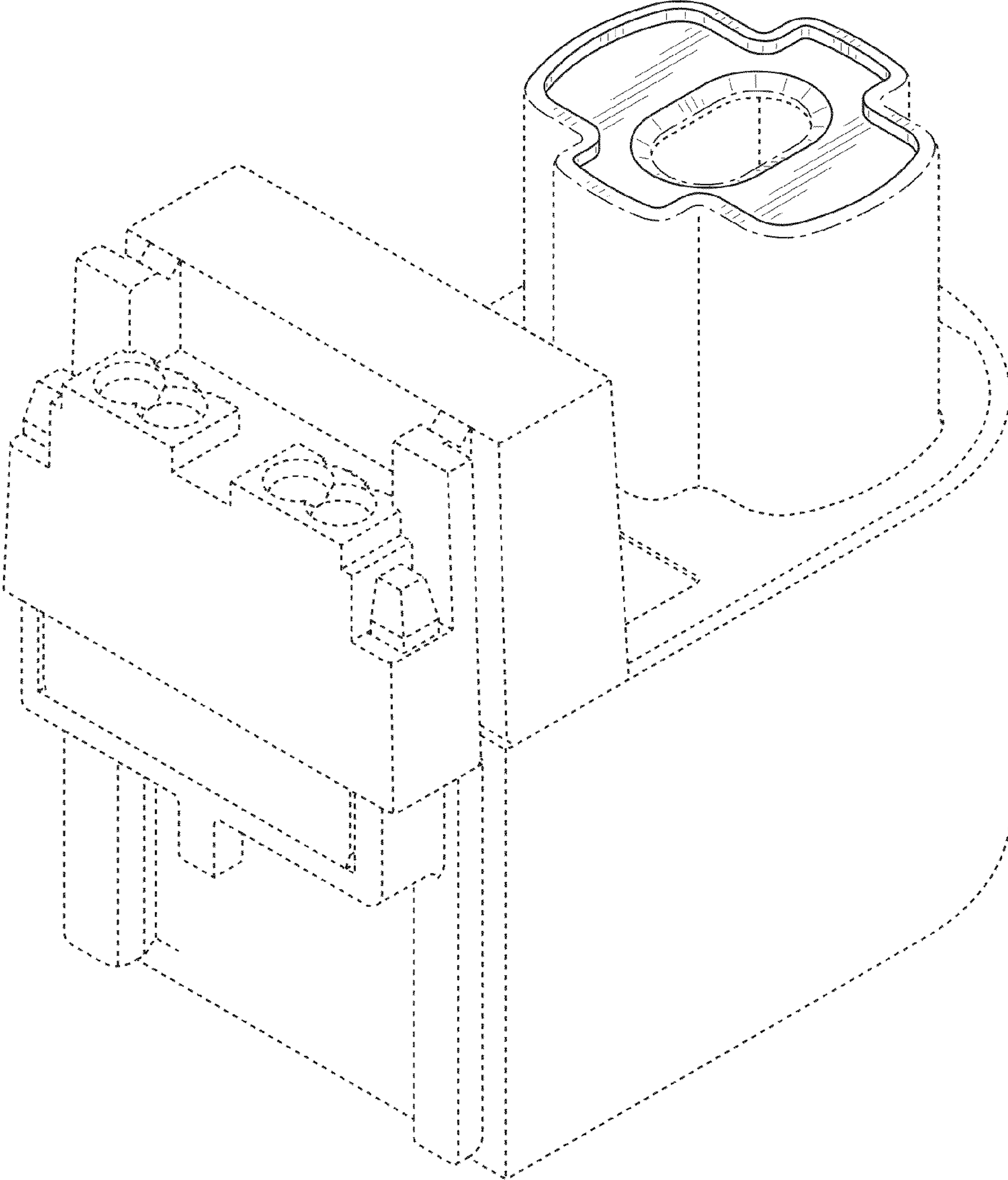


FIG. 2

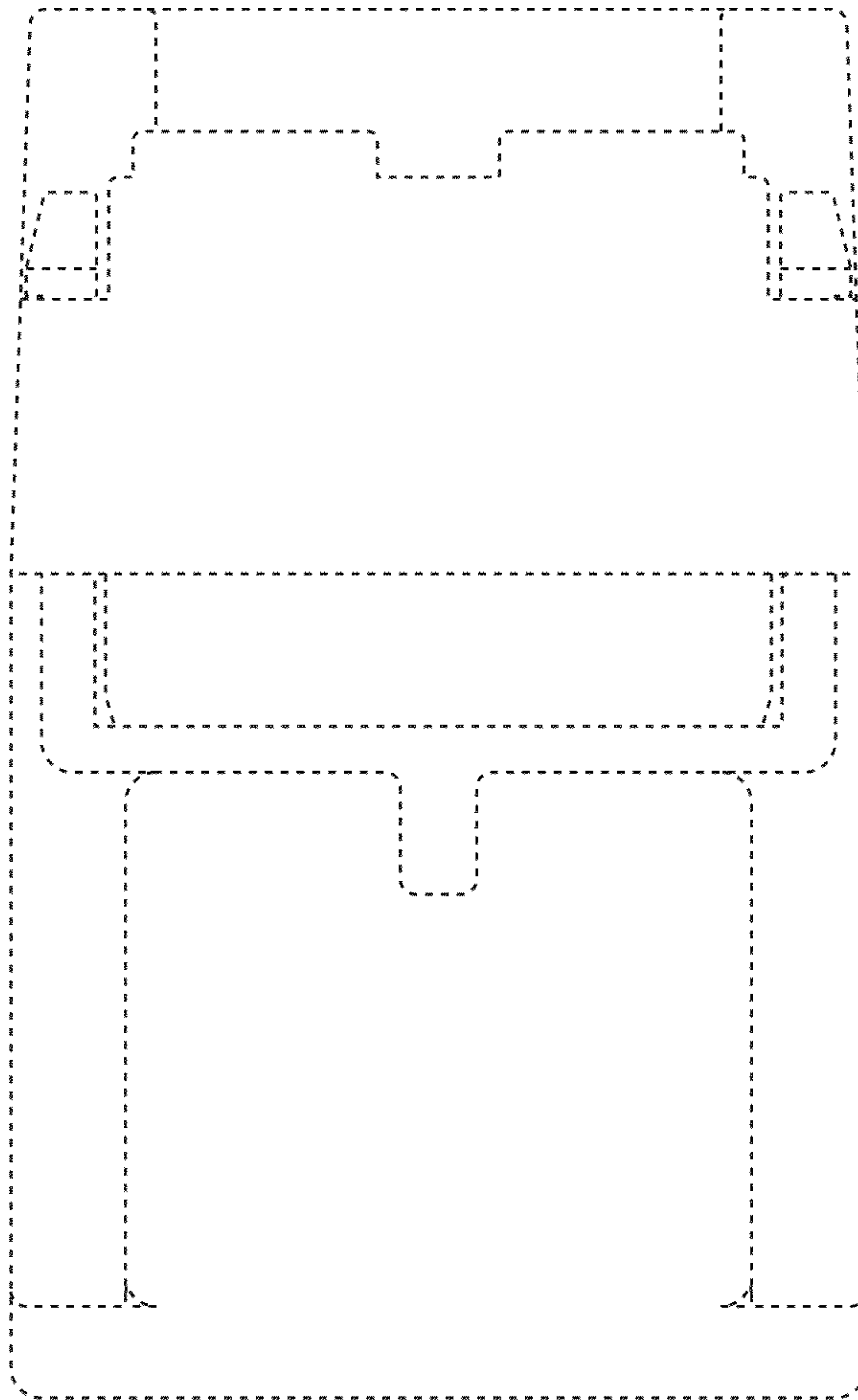


FIG. 3



FIG. 4

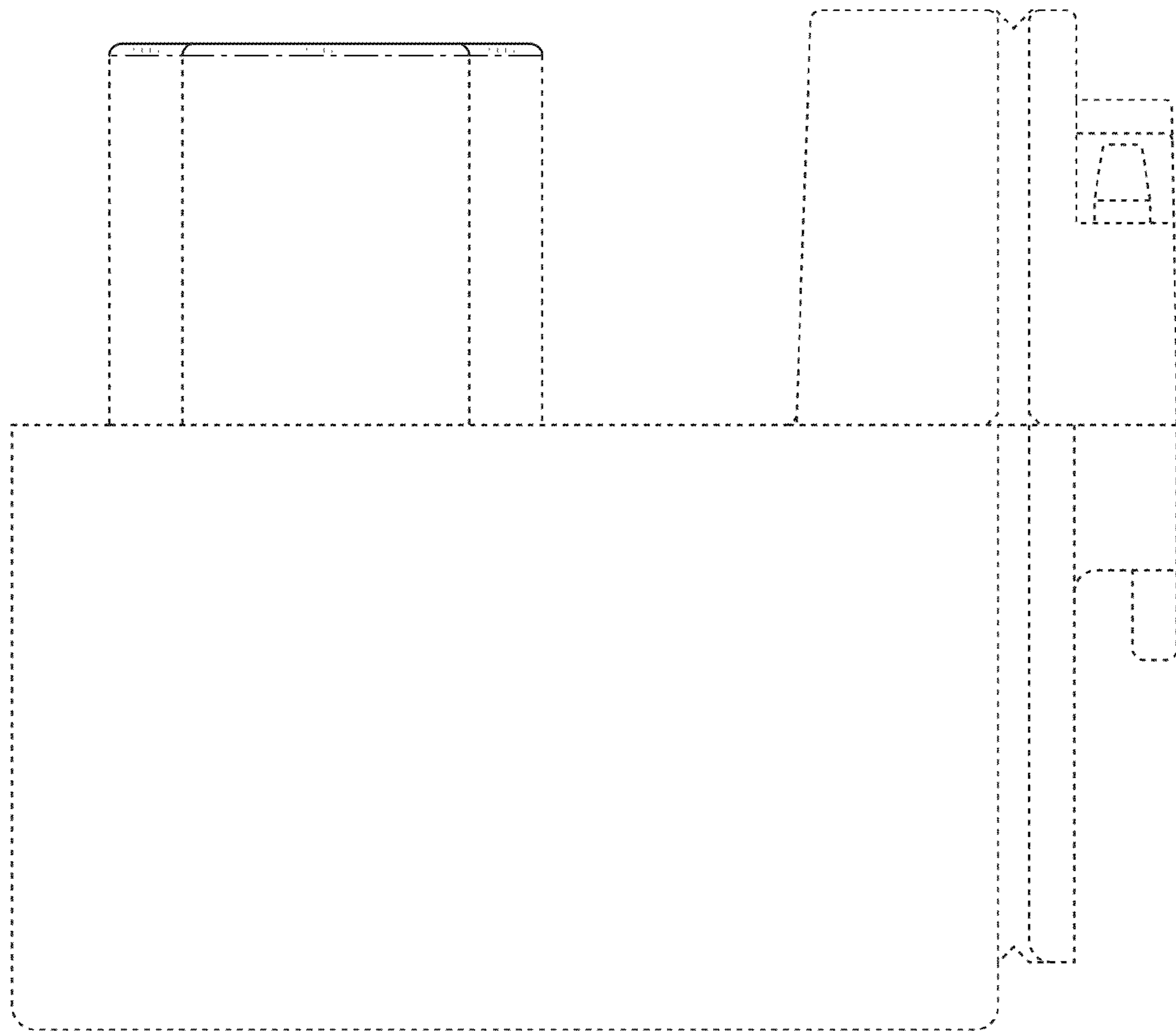


FIG. 5

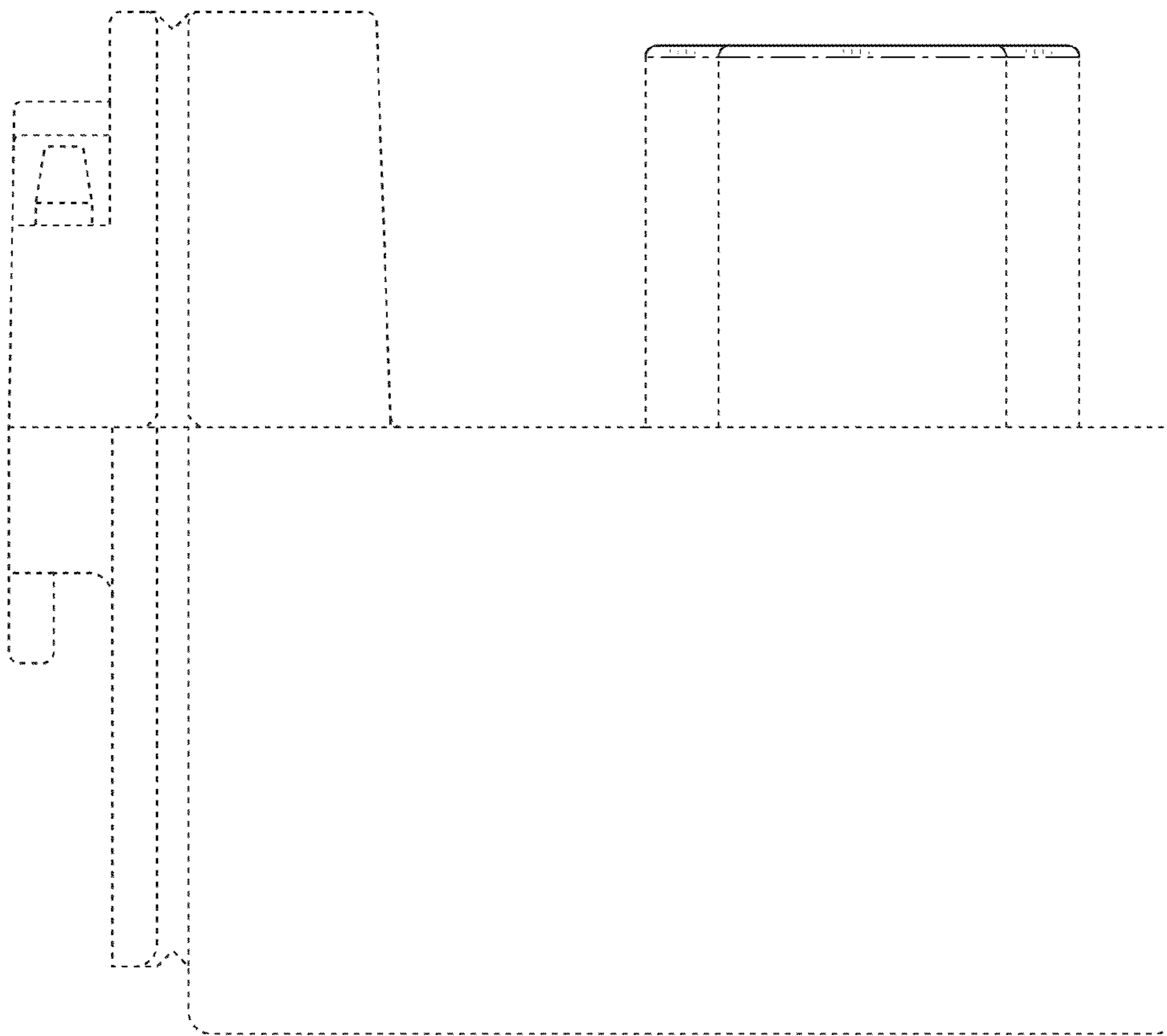


FIG. 6

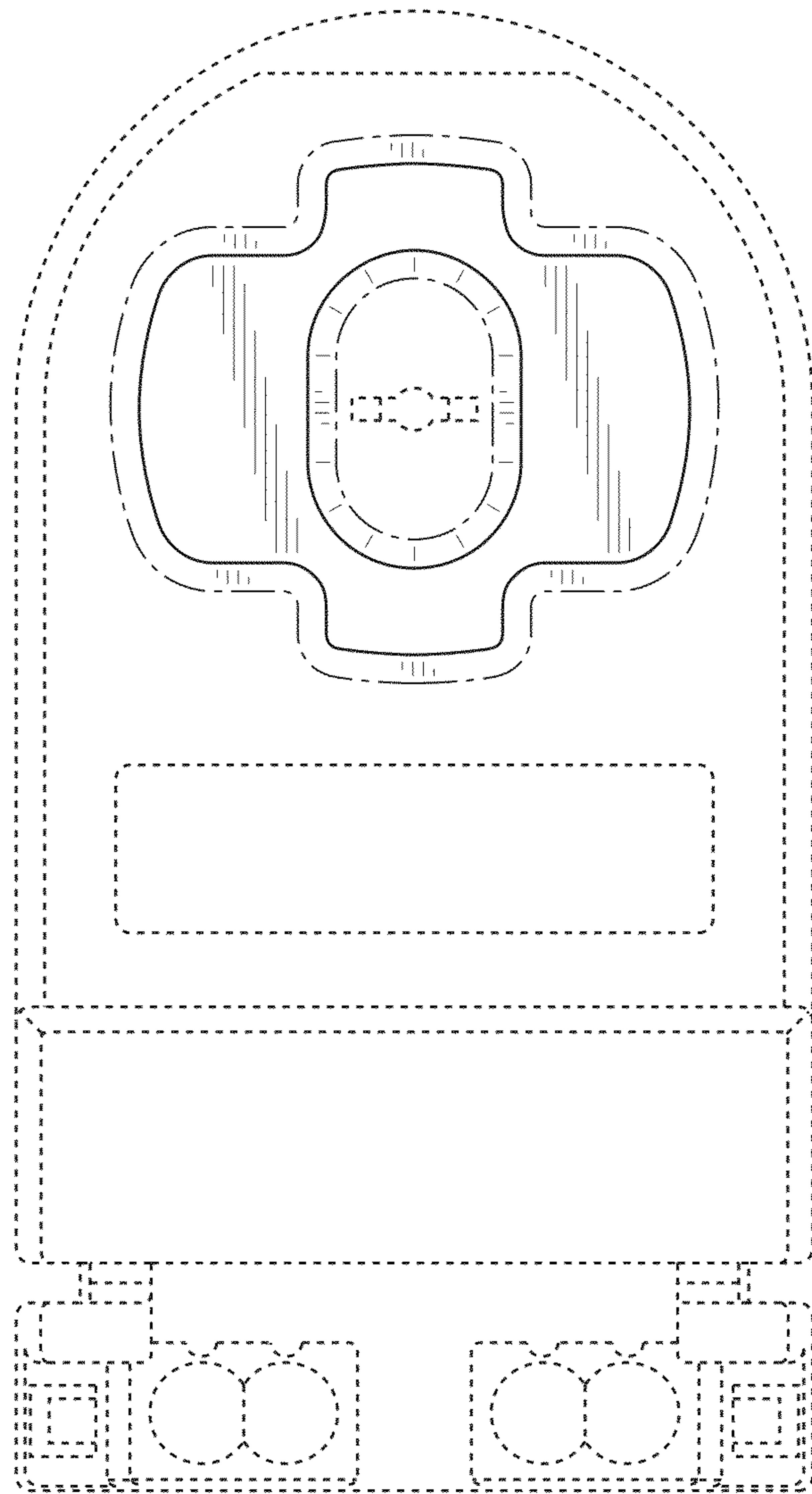




FIG. 7

