



US00D727848S

(12) **United States Design Patent**
Burgett et al.

(10) **Patent No.:** **US D727,848 S**

(45) **Date of Patent:** **** Apr. 28, 2015**

(54) **PLUG**

(71) Applicant: **Harman International Industries, Incorporated**, Stanford, CT (US)

(72) Inventors: **Seth D Burgett**, Glen Carbon, IL (US);
Effrosini A. Karayiannis, Saint Louis, MO (US); **Aaron Gorga**, Saint Louis, MO (US)

(73) Assignee: **Harman International Industries, Incorporated**, Northridge, CA (US)

(**) Term: **14 Years**

(21) Appl. No.: **29/466,562**

(22) Filed: **Sep. 9, 2013**

(51) **LOC (10) Cl.** **13-03**

(52) **U.S. Cl.**
USPC **D13/133**

(58) **Field of Classification Search**

CPC H01R 24/00; H01R 24/04; H01R 24/58;
H01R 13/00; H01R 13/585; H01R 3/00;
H01R 1/10; H01R 1/1033; H01R 3/002;
H01R 25/00
USPC D13/133, 144, 148, 153, 154, 184, 199;
D14/205, 217, 233, 299; 181/129, 130,
181/135; 379/430, 431; 381/71.6, 376
See application file for complete search history.

(56) **References Cited**

U.S. PATENT DOCUMENTS

D450,298 S *	11/2001	Suzuki	D13/133
D500,475 S *	1/2005	Noro et al.	D13/133
D559,781 S *	1/2008	Victor	D13/133
D587,204 S *	2/2009	Bachmann	D13/133
D611,425 S *	3/2010	Aldridge	D13/147
D658,587 S *	5/2012	Flattinger et al.	D13/147
D688,601 S *	8/2013	Cheng	D12/114
D704,642 S *	5/2014	Yamamoto	D13/133
D707,660 S *	6/2014	Yang	D14/223
D716,771 S *	11/2014	Burgett et al.	D14/223
D717,274 S *	11/2014	Burgett et al.	D14/205

* cited by examiner

Primary Examiner — Thomas Johannes

Assistant Examiner — Shawn T Gingrich

(74) *Attorney, Agent, or Firm* — Plumsea Law Group, LLC

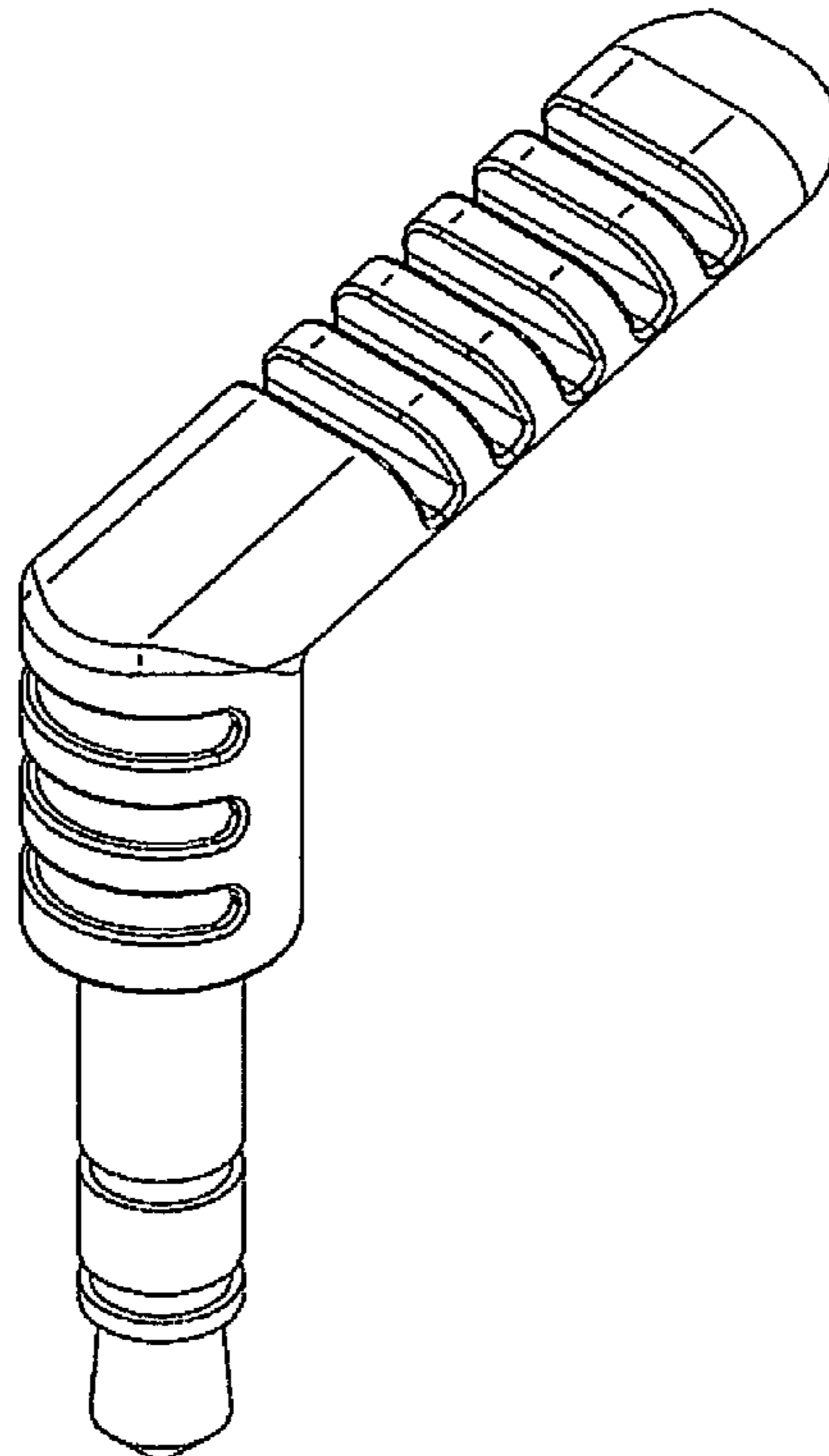
(57) **CLAIM**

The ornamental design for a plug, as shown and described.

DESCRIPTION

FIG. 1 is a perspective view of a plug showing our new design;
FIG. 2 is a front elevation view thereof;
FIG. 3 is a rear elevation view thereof;
FIG. 4 is a top plan view thereof;
FIG. 5 is a bottom plan view thereof;
FIG. 6 is a left side elevation view thereof; and,
FIG. 7 is a right side elevation view thereof.
The plug is intended to be used for earbuds and earphones.

1 Claim, 4 Drawing Sheets



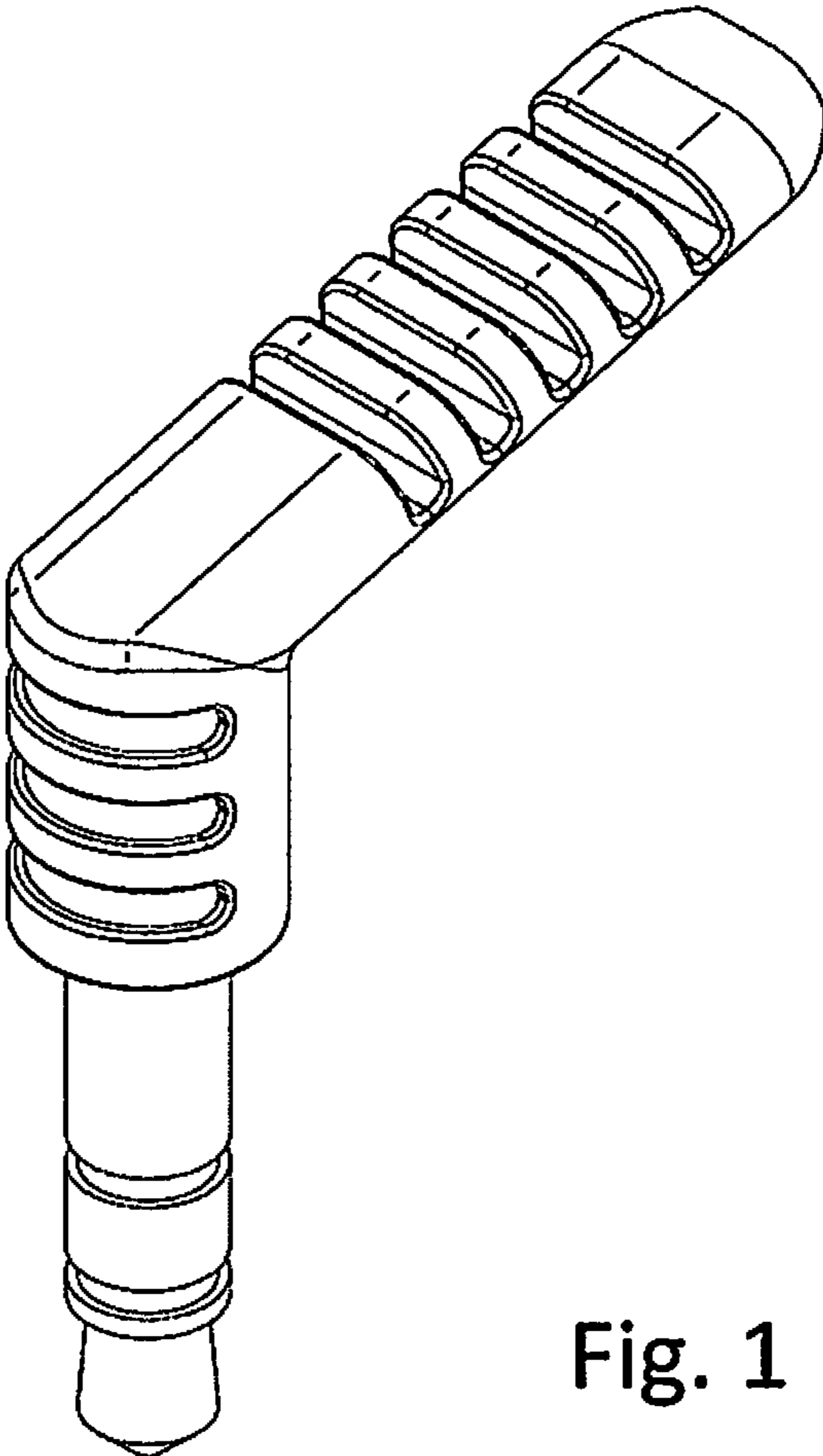


Fig. 1

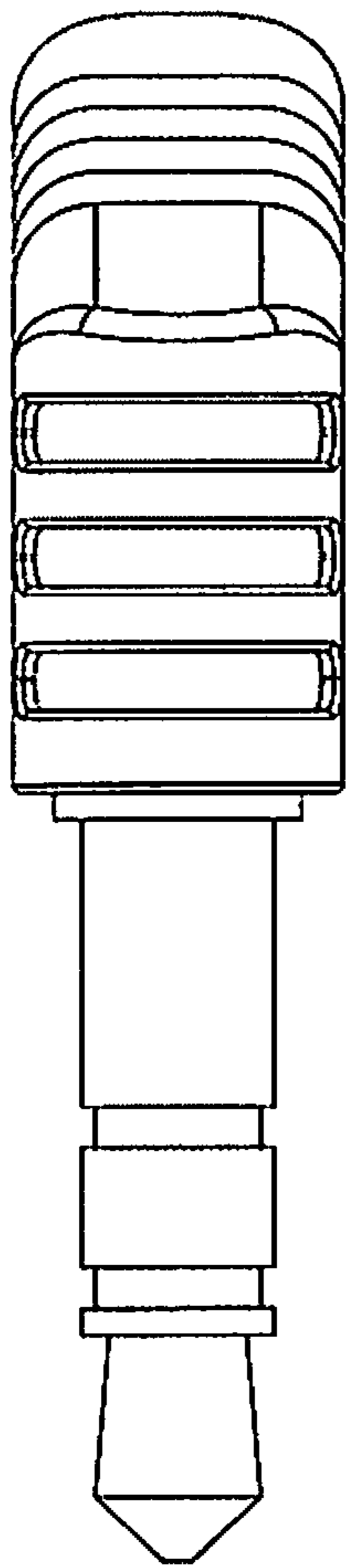


Fig. 2

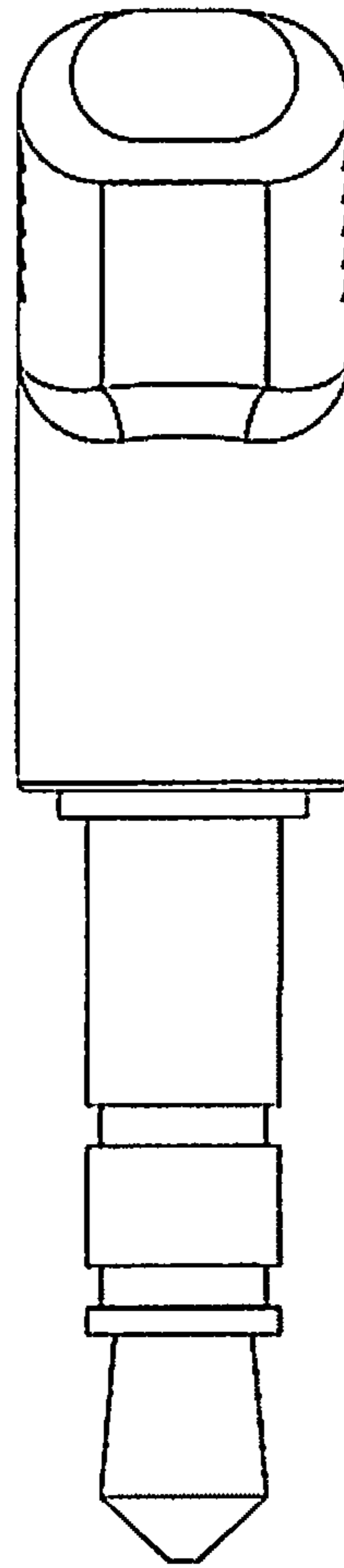


Fig. 3

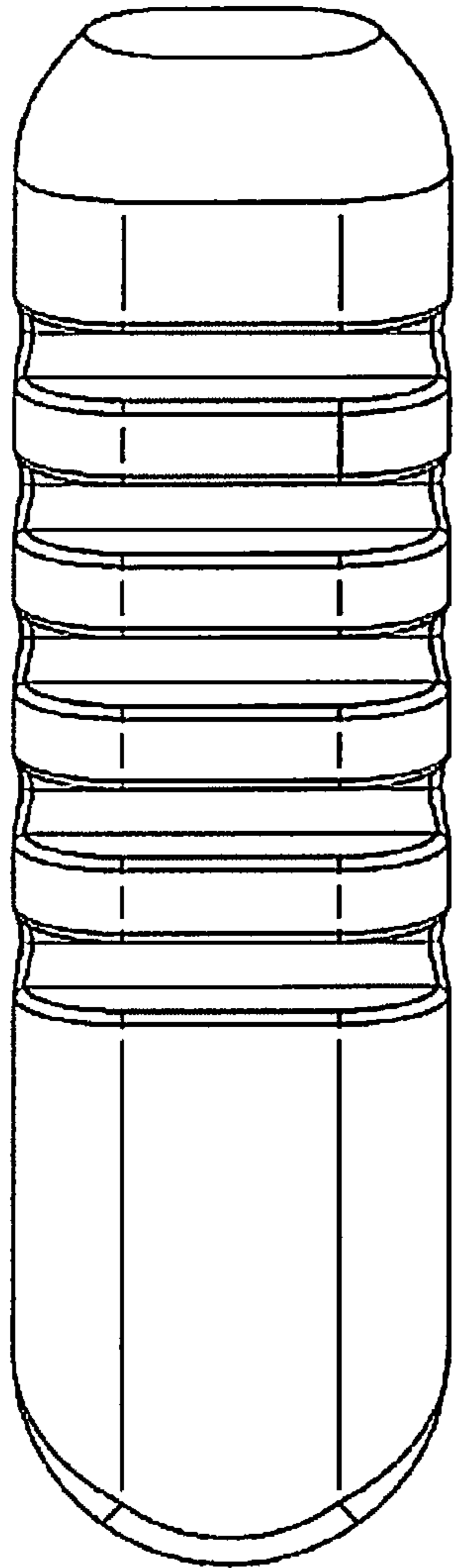


Fig. 4

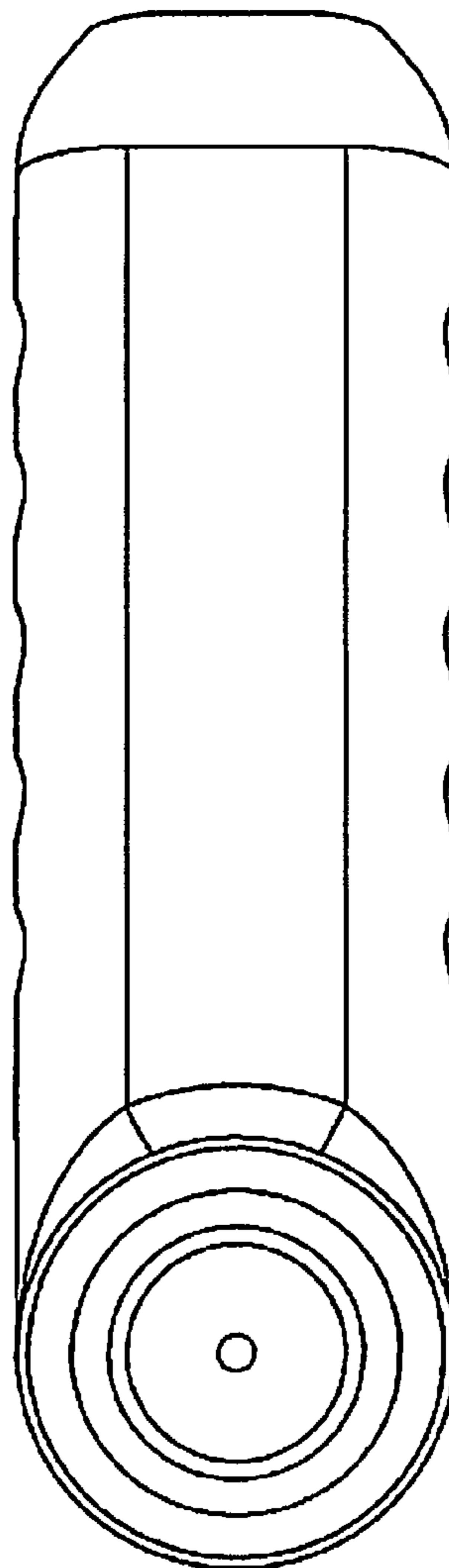


Fig. 5

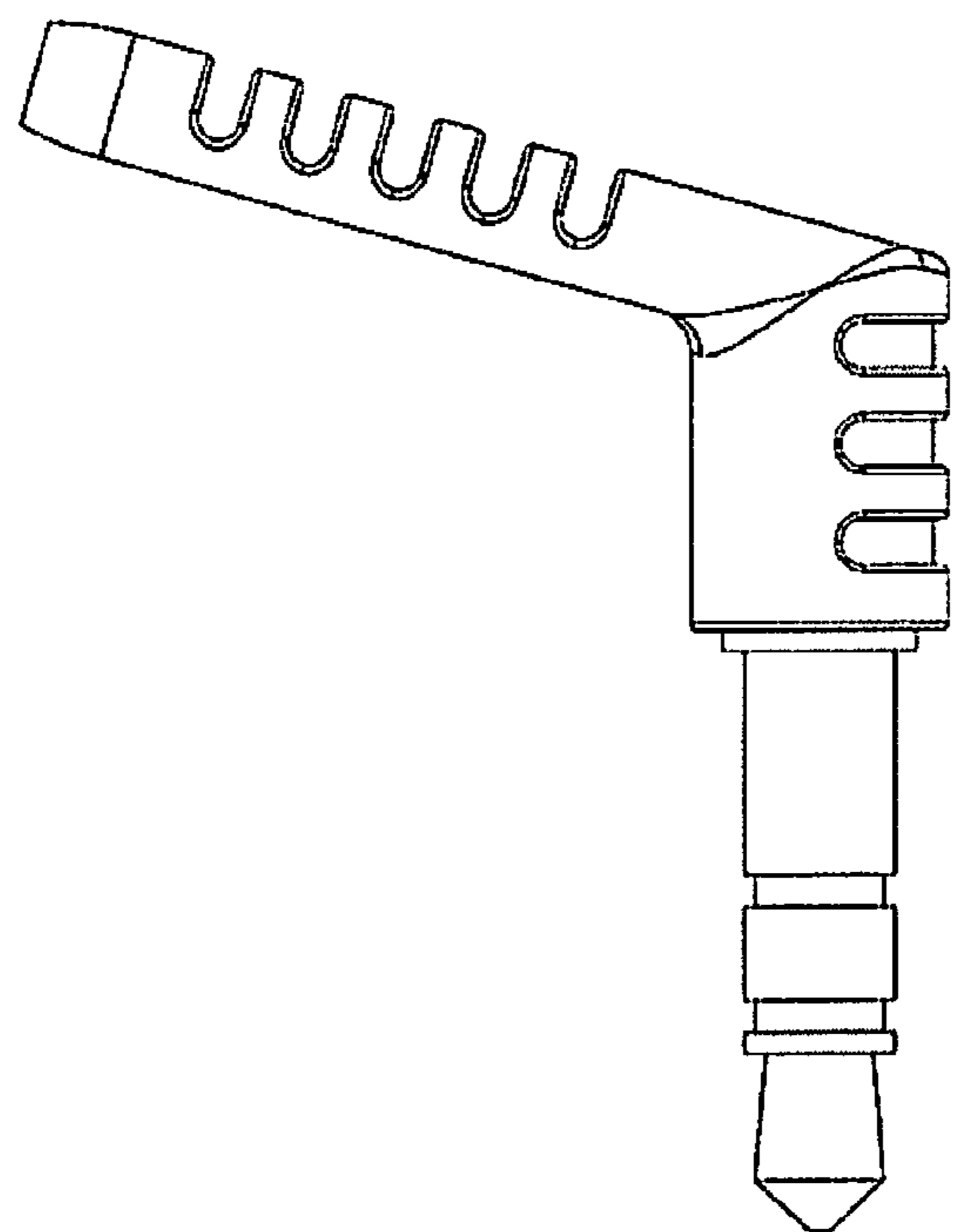


Fig. 6

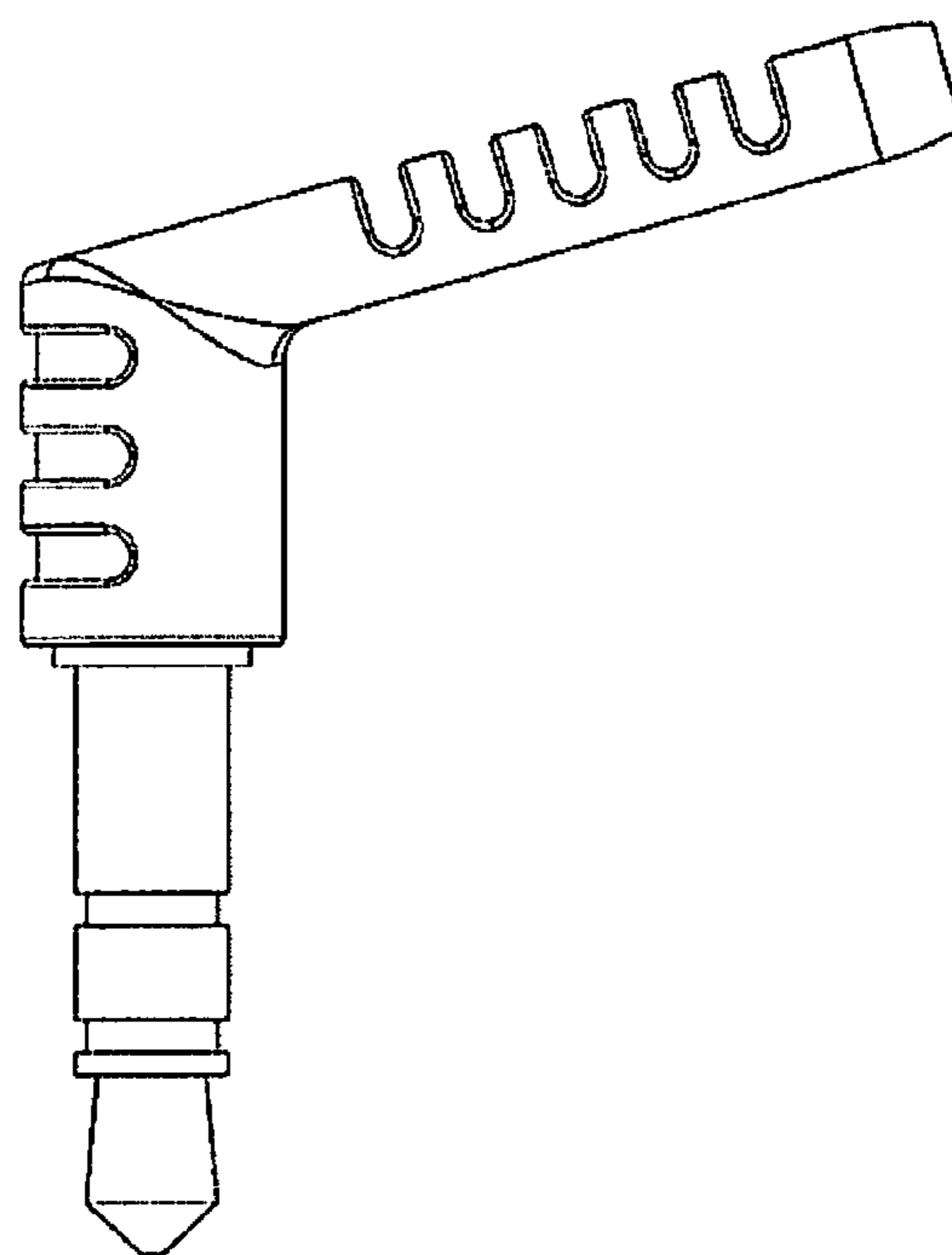


Fig. 7