



US00D727847S

(12) **United States Design Patent**
Jaskowiak

(10) **Patent No.:** **US D727,847 S**
(45) **Date of Patent:** **** Apr. 28, 2015**

- (54) **PORTABLE GENERATOR**
- (71) Applicant: **Briggs & Stratton Corporation,**
Wauwatosa, WI (US)
- (72) Inventor: **Ryan S. Jaskowiak,** Mukwonago, WI
(US)
- (73) Assignee: **Briggs & Stratton Corporation,**
Wauwatosa, WI (US)
- (**) Term: **14 Years**
- (21) Appl. No.: **29/469,201**
- (22) Filed: **Oct. 8, 2013**
- (51) **LOC (10) Cl.** **13-01**
- (52) **U.S. Cl.**
USPC **D13/116**
- (58) **Field of Classification Search**
CPC F02B 63/04
USPC 123/2, 3; 290/1 A, 1 B, 1 R; 310/89;
322/100; 361/730, 836; D13/101, 110,
D13/112, 113, 114, 115, 116, 118, 122, 184,
D13/199; D23/111, 351, 395
See application file for complete search history.

- D591,014 S 4/2009 Li
- D596,367 S 7/2009 Katz
- D597,485 S * 8/2009 Ma D13/116
- D597,945 S * 8/2009 Takamura D13/122
- D600,205 S * 9/2009 Imai D13/116
- D617,269 S 6/2010 Van Deursen
- D622,471 S 8/2010 Hernandez
- D629,748 S 12/2010 Van Deursen
- D630,851 S 1/2011 Landau et al.

(Continued)

FOREIGN PATENT DOCUMENTS

GB 4 021 427 10/2011

OTHER PUBLICATIONS

U.S. Appl. No. 29/462,060, filed Jul. 30, 2013, Van Deursen.

Primary Examiner — Derrick Holland
Assistant Examiner — Jennifer O King
(74) *Attorney, Agent, or Firm* — Foley & Lardner LLP

(57) **CLAIM**

I claim the ornamental design for a portable generator, as shown and described.

DESCRIPTION

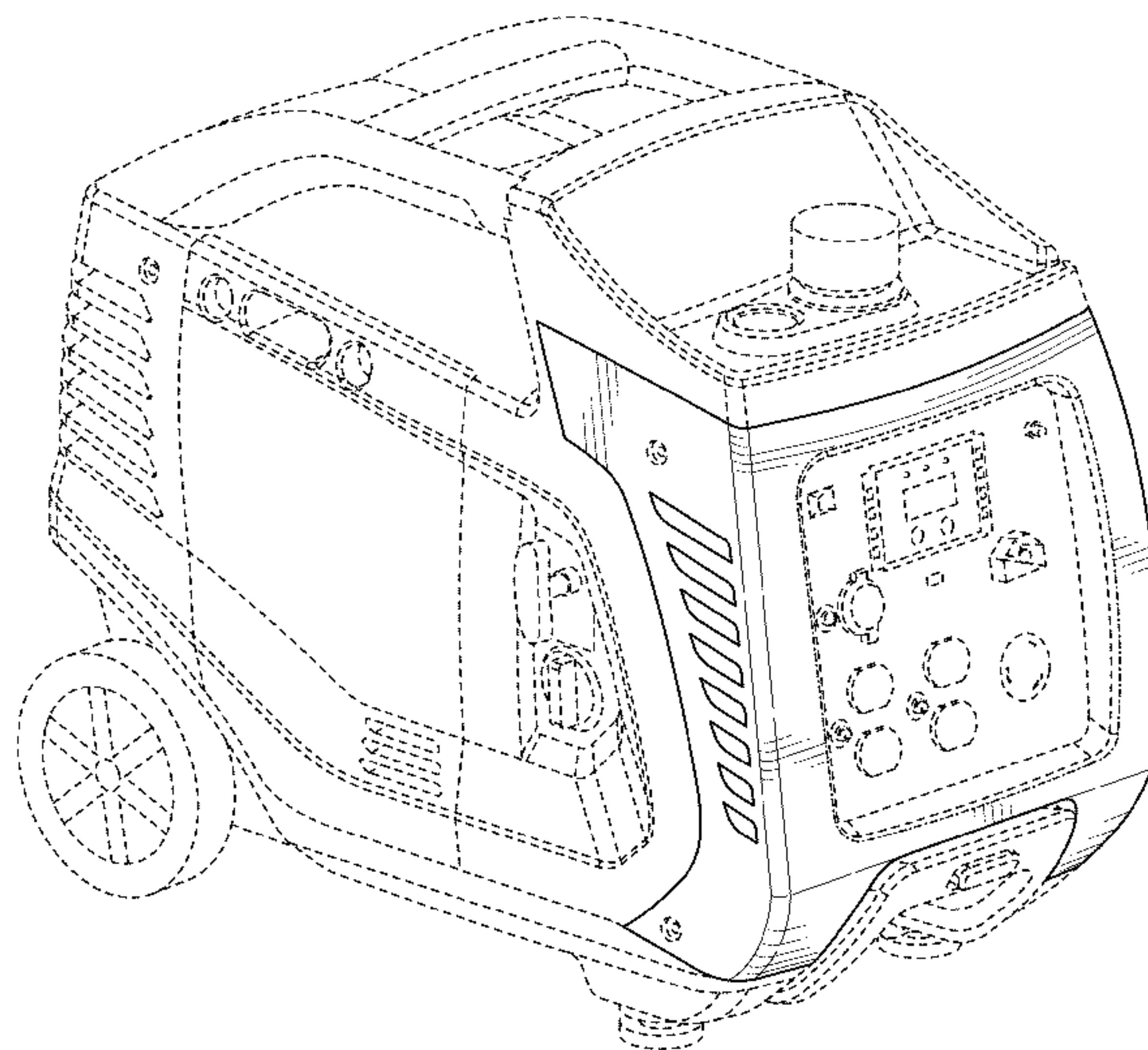
FIG. 1 is a front perspective view of a portable generator showing my new design;
FIG. 2 is a rear perspective view thereof;
FIG. 3 is a front view thereof;
FIG. 4 is a rear view thereof;
FIG. 5 is a right side view thereof;
FIG. 6 is a left side view thereof;
FIG. 7 is a top view thereof;
FIG. 8 is a bottom view thereof; and,
FIG. 9 is a front perspective view thereof, shown in an alternate environmental configuration.
The broken lines shown represent unclaimed subject matter and form no part of the claimed design.

1 Claim, 9 Drawing Sheets

(56) **References Cited**

U.S. PATENT DOCUMENTS

- D280,318 S * 8/1985 Barone D13/110
- 4,721,070 A * 1/1988 Tanaka et al. 123/2
- 5,977,667 A * 11/1999 Hirose 310/51
- D420,473 S 2/2000 Shero
- D496,764 S 9/2004 Lopano
- D520,948 S * 5/2006 Xiao D13/116
- 7,159,272 B2 1/2007 Holsten et al.
- 7,232,018 B1 6/2007 Salander
- D549,904 S 8/2007 Eccardt et al.
- D551,814 S 9/2007 Renner et al.
- D565,269 S 3/2008 Tomasiak et al.
- D570,777 S * 6/2008 Glass et al. D13/116
- 7,482,706 B2 * 1/2009 Uchimi et al. 290/1 A



(56)

References Cited

U.S. PATENT DOCUMENTS

7,883,096 B2	2/2011	Katz et al.	
D633,443 S *	3/2011	Wang et al.	D13/116
D634,414 S	3/2011	Wolfe et al.	
D644,993 S	9/2011	Van Deursen	
D646,853 S	10/2011	Alexander et al.	
D647,261 S	10/2011	Schultz et al.	
D648,493 S	11/2011	Alexander et al.	
D650,739 S *	12/2011	Cai	D13/116
D660,525 S	5/2012	Alexander et al.	
D662,881 S *	7/2012	He et al.	D13/116
8,210,133 B2 *	7/2012	Hirose et al.	123/41.56
D668,607 S	10/2012	Van Deursen	
D675,796 S	2/2013	Benacquisto et al.	
D688,628 S	8/2013	Van Deursen	
D704,137 S *	5/2014	Shokrzadeh et al.	D13/116
D711,319 S *	8/2014	Wilcox	D13/116
2008/0115307 A1	5/2008	Phelan et al.	
2009/0322100 A1 *	12/2009	Hiranuma et al.	290/1 R
2014/0026828 A1 *	1/2014	Kojima et al.	123/2
2014/0256245 A1 *	9/2014	Qian	454/251

* cited by examiner

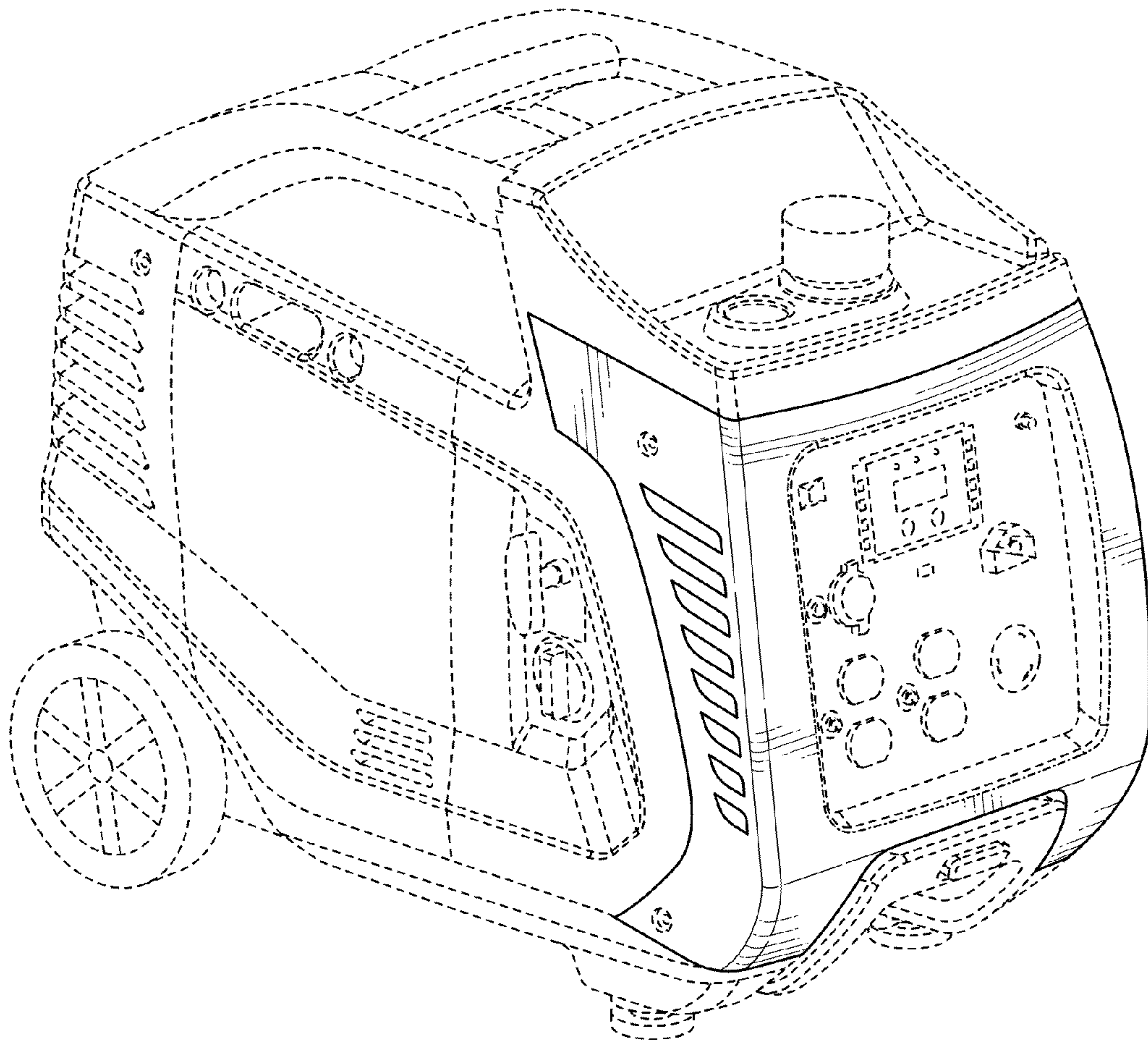


FIG. 1

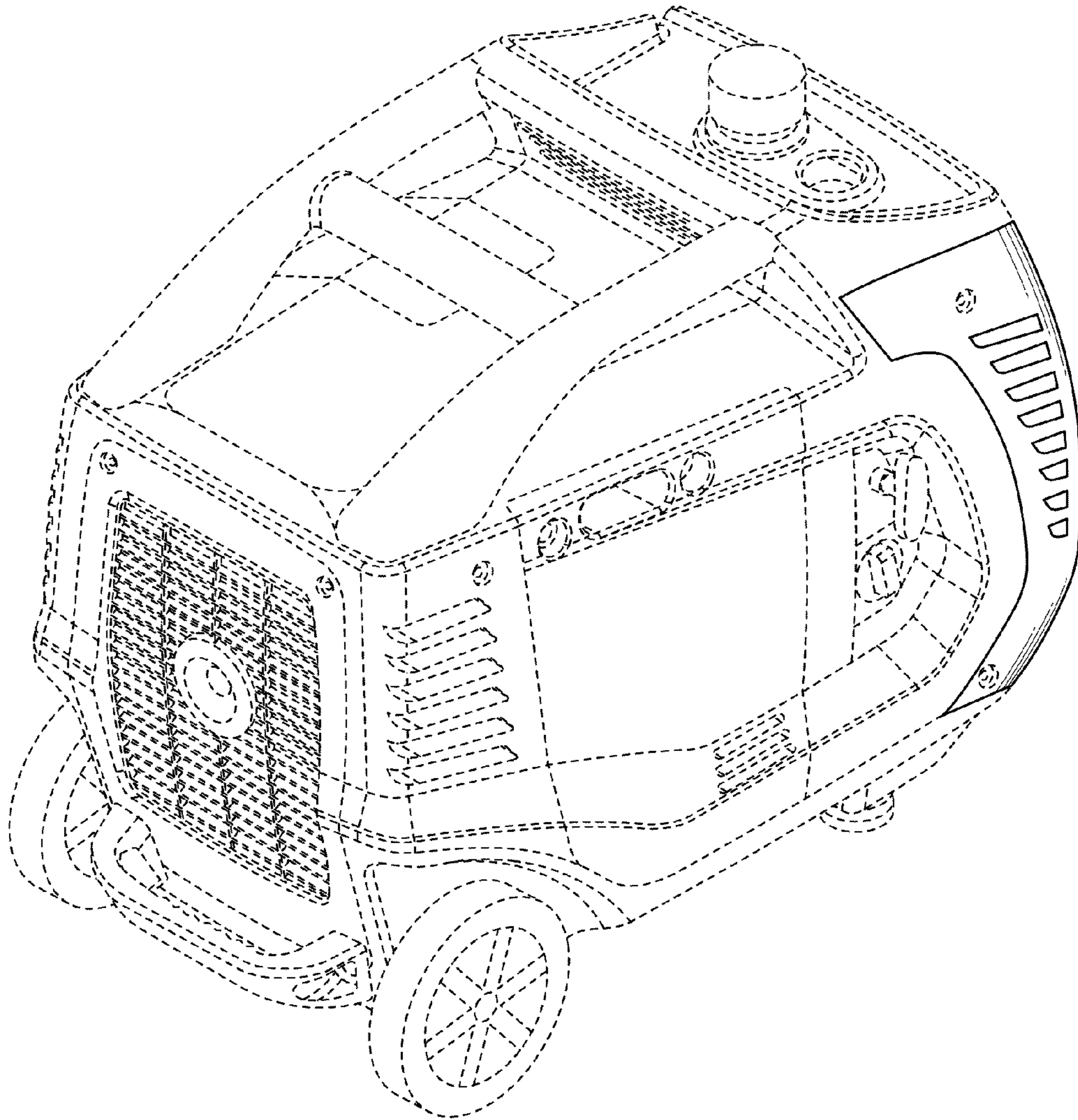


FIG. 2

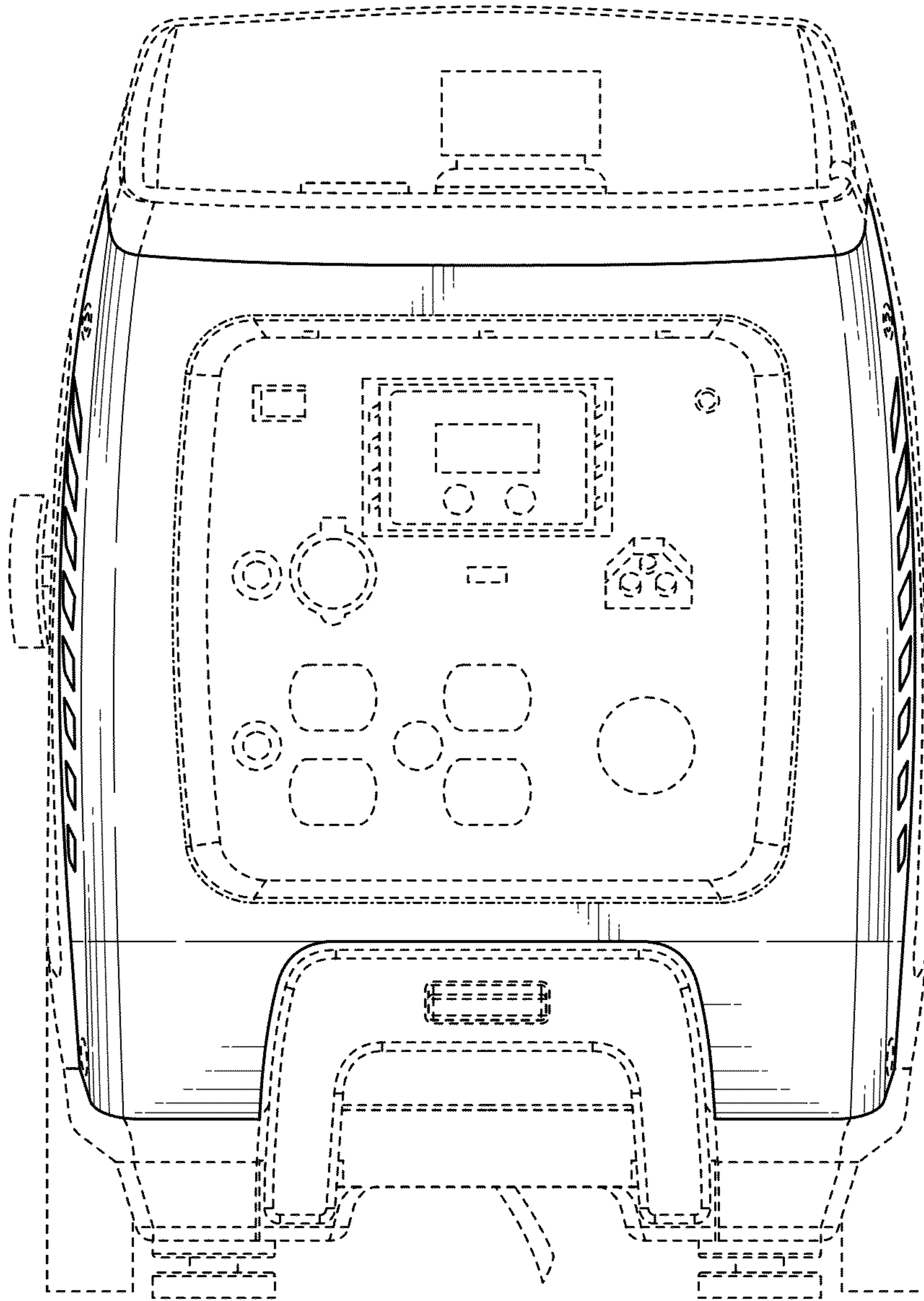


FIG. 3

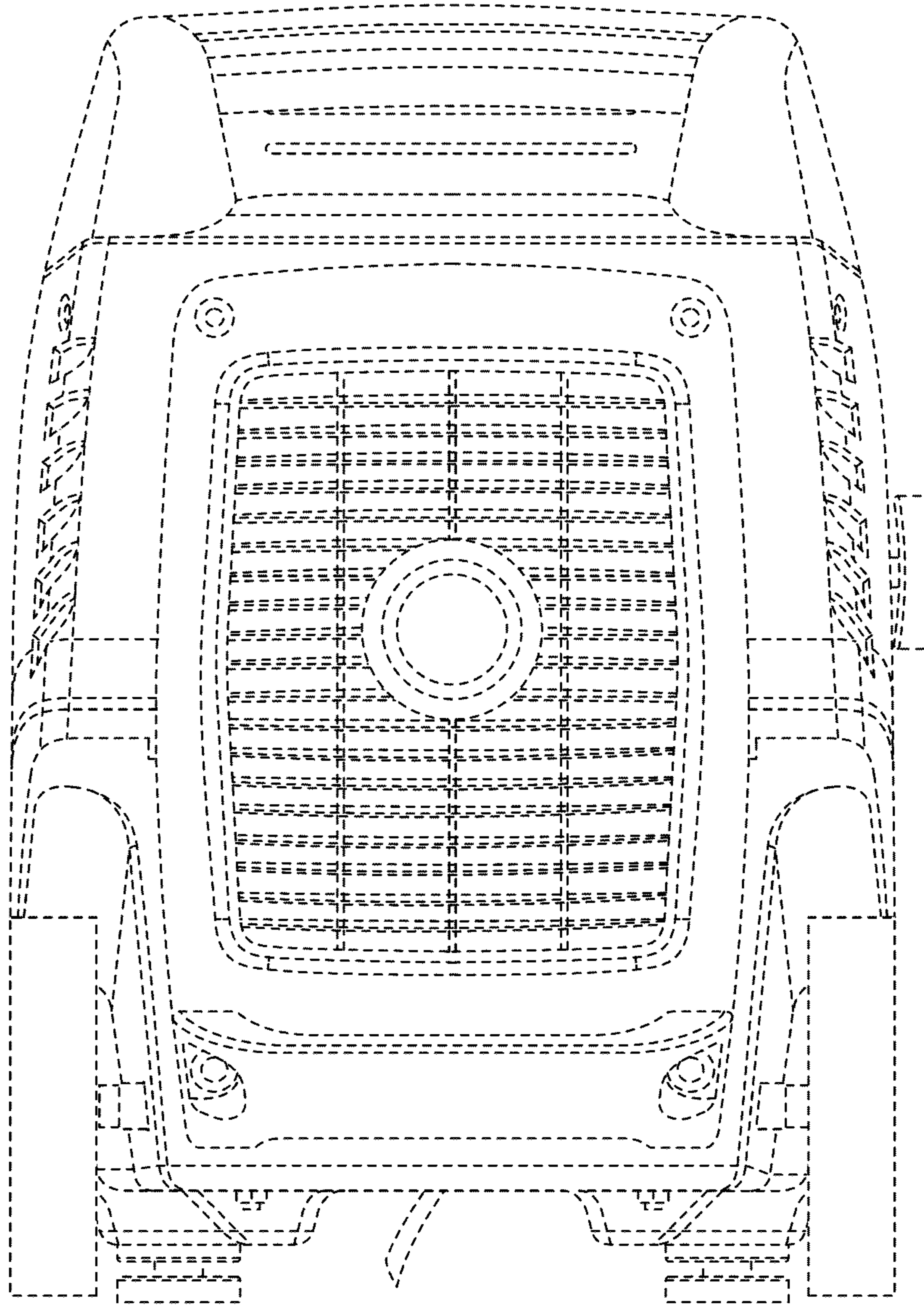


FIG. 4

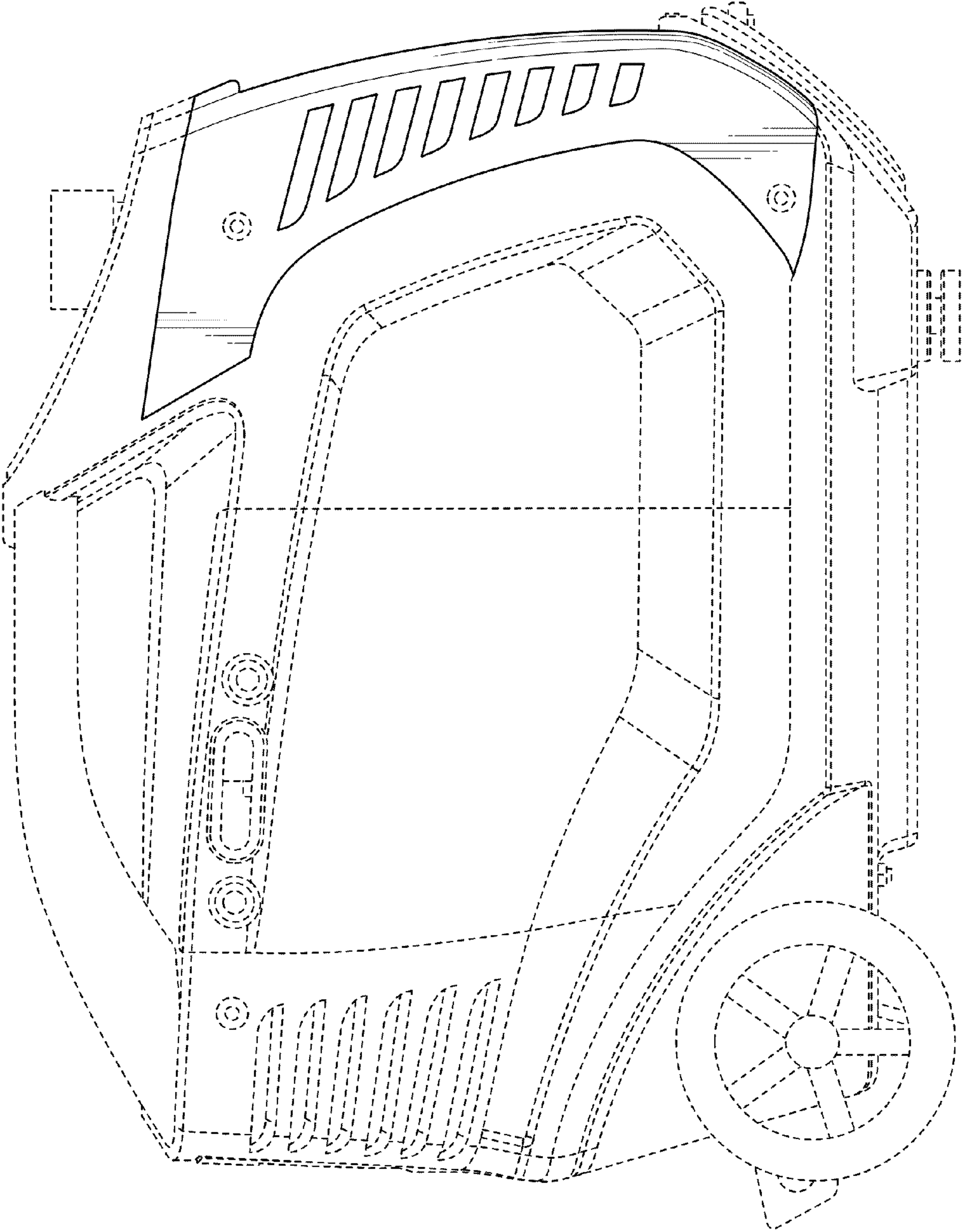


FIG. 5

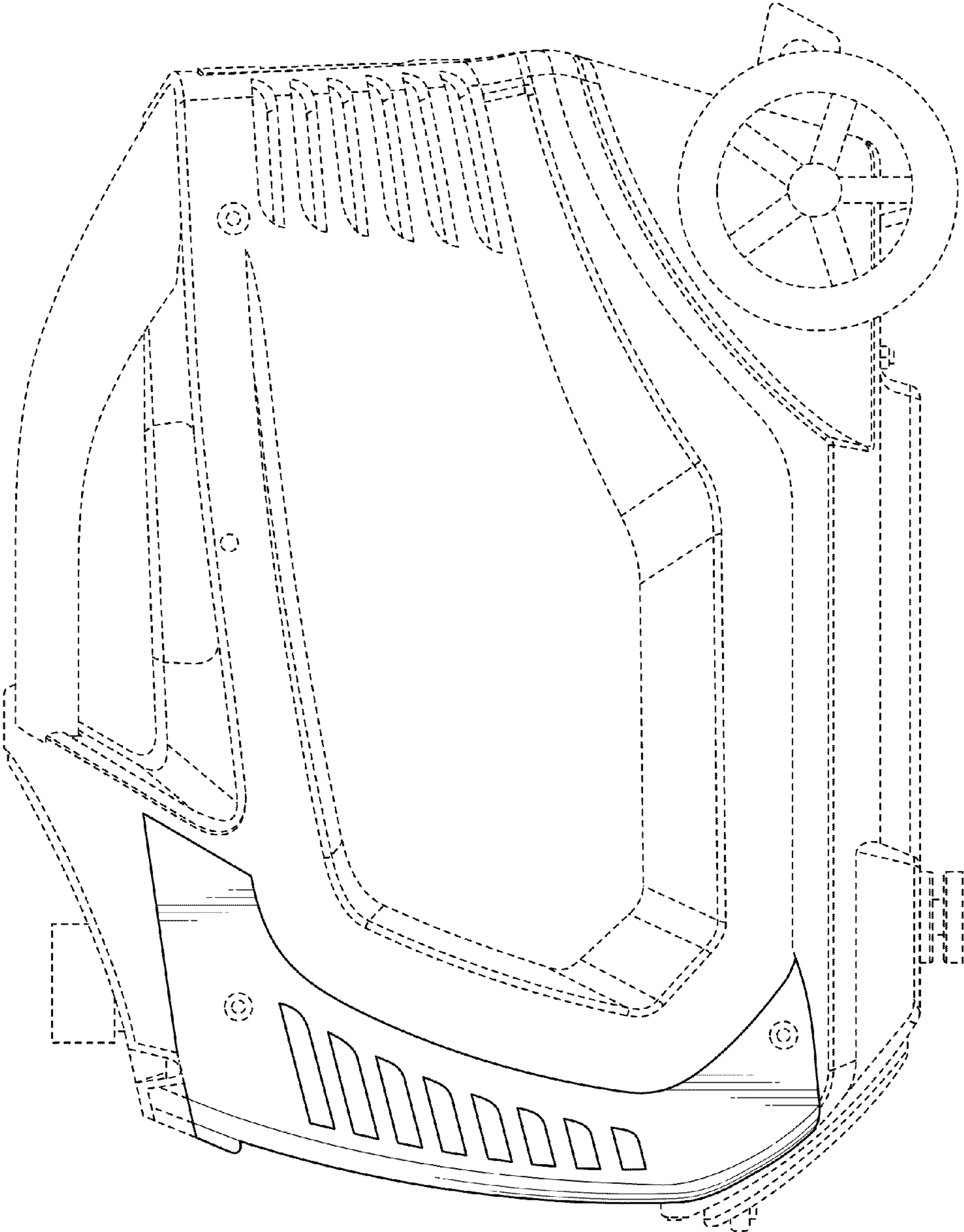


FIG. 6

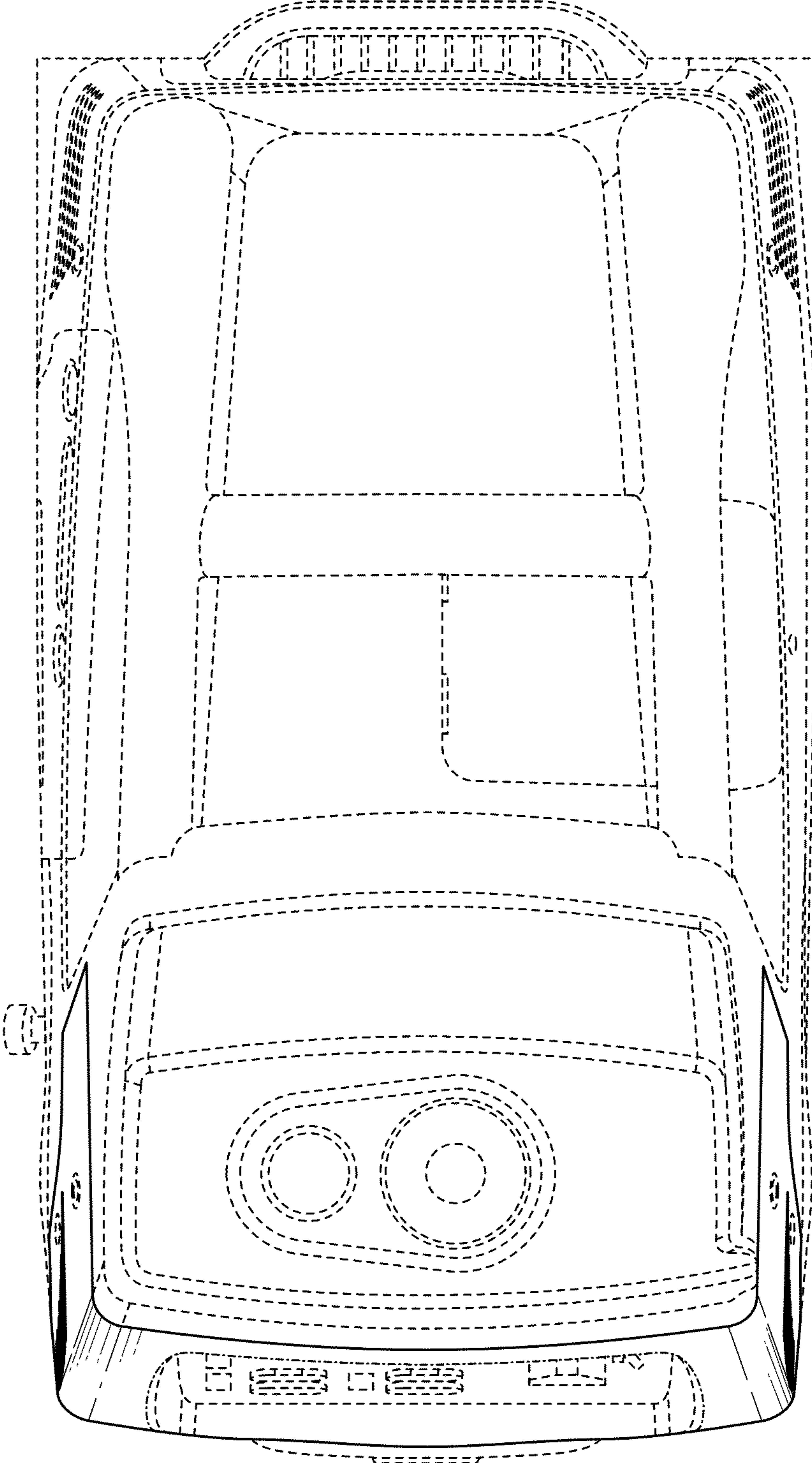


FIG. 7

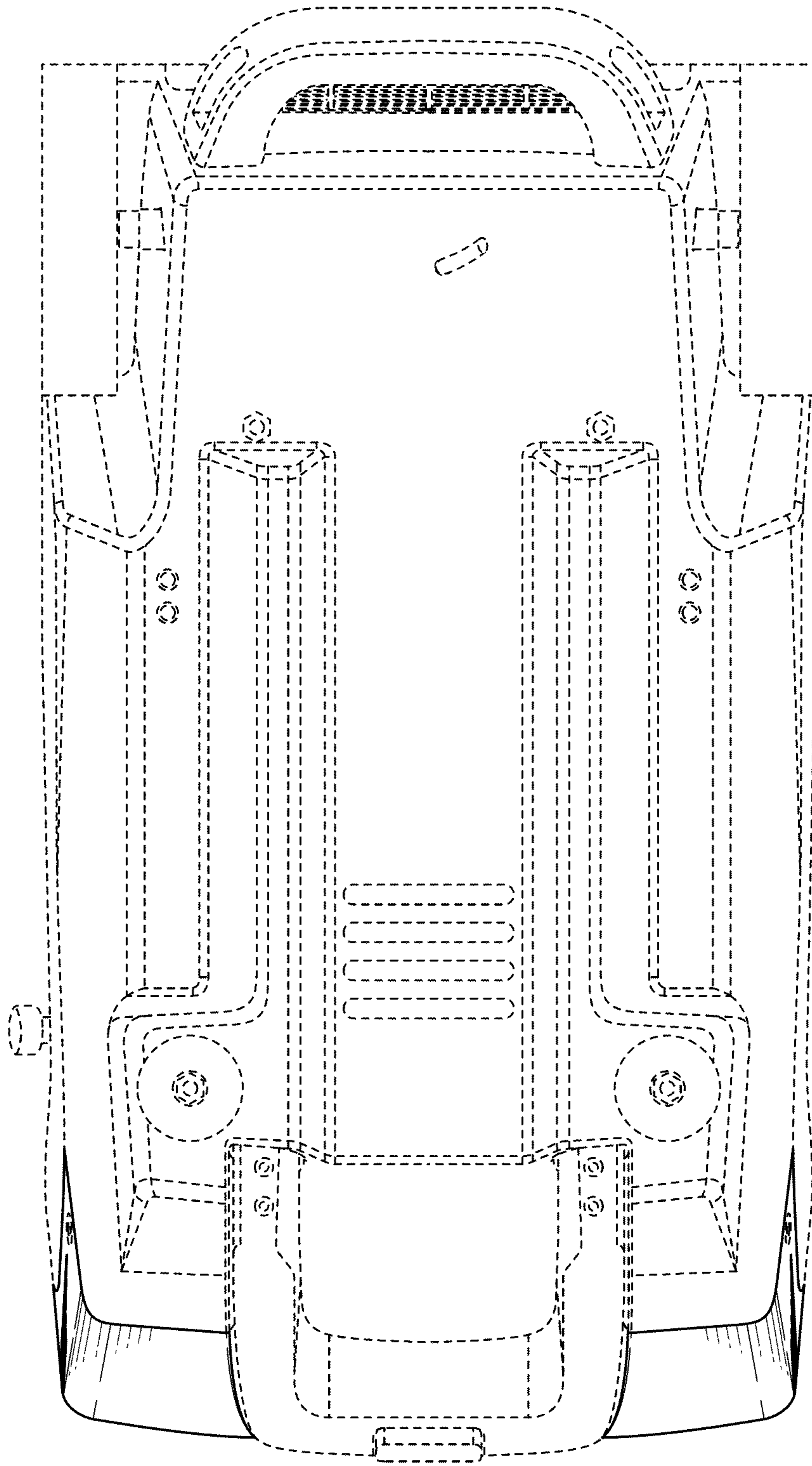


FIG. 8

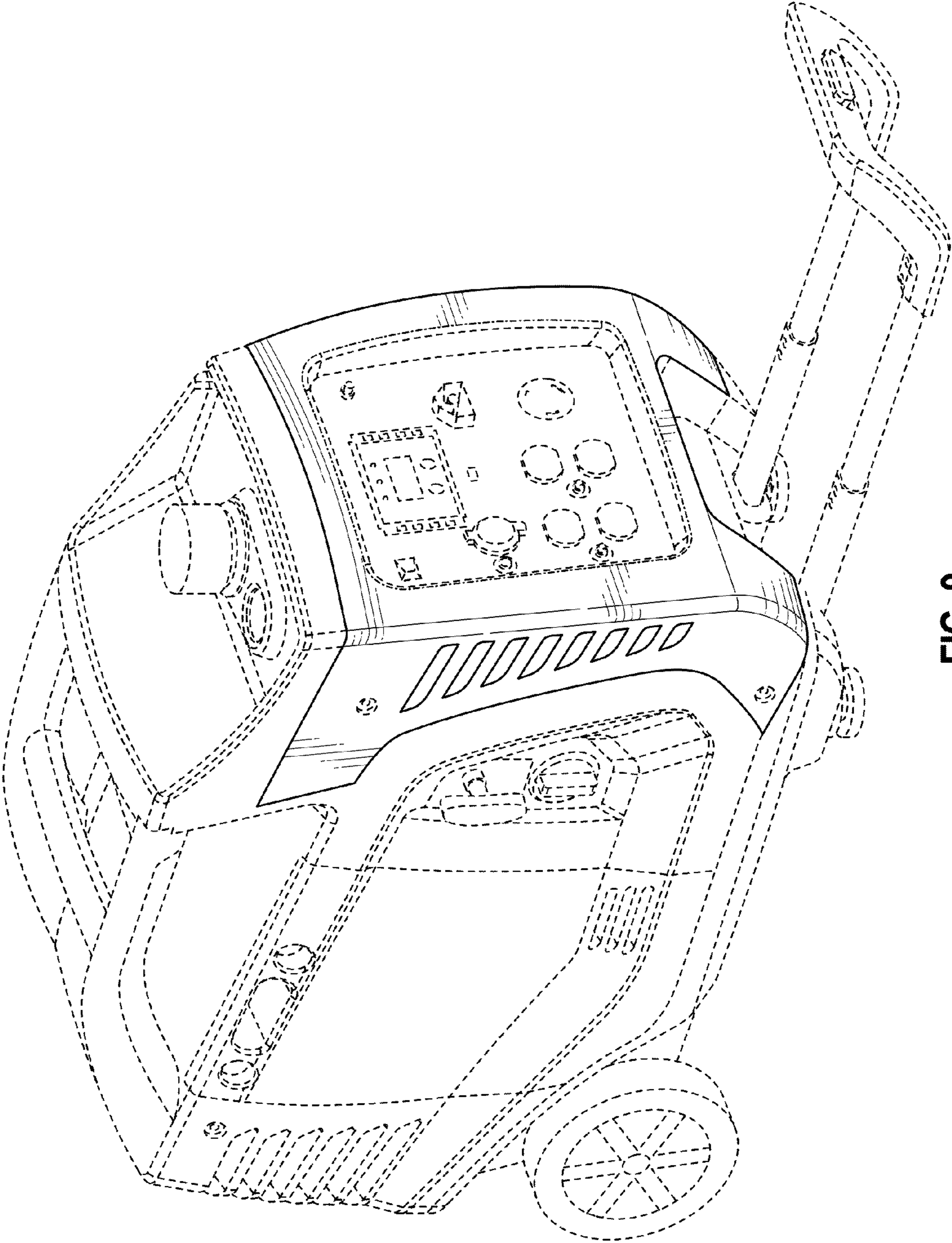


FIG. 9