



US00D727846S

(12) **United States Design Patent**  
**Wen**

(10) **Patent No.:** **US D727,846 S**

(45) **Date of Patent:** **\*\* Apr. 28, 2015**

(54) **PORTABLE POWER SUPPLY**

(71) Applicant: **Hello Technology Limited**, Shenzhen,  
Guangdong Province (CN)

(72) Inventor: **Meichan Wen**, ShenZhen (CN)

(73) Assignee: **Hello Technology Limited**, Shenzhen,  
Guangdong Province (CN)

(\*\*) Term: **14 Years**

(21) Appl. No.: **29/497,395**

(22) Filed: **Jul. 23, 2014**

(51) **LOC (10) Cl.** ..... **13-02**

(52) **U.S. Cl.**  
USPC ..... **D13/110**

(58) **Field of Classification Search**  
USPC ..... D13/110, 103, 107, 108, 118, 119, 123,  
D13/133, 137.1, 184, 199; D14/240, 251,  
D14/356, 432, 433, 434; 174/53, 54, 59, 61;  
307/11, 150, 151; 320/107, 111, 112,  
320/113, 114, 115; 361/679.01; 363/142,  
363/146; 439/131, 172, 626, 628, 638

See application file for complete search history.

(56) **References Cited**

U.S. PATENT DOCUMENTS

5,019,767	A *	5/1991	Shirai et al. ....	320/112
D446,499	S *	8/2001	Andre et al. ....	D13/110
D454,110	S *	3/2002	Andre et al. ....	D13/110
D576,100	S *	9/2008	Wang .....	D13/110
D665,734	S *	8/2012	Fitch et al. ....	D13/107
D667,788	S *	9/2012	Mai .....	D13/110
2009/0051316	A1 *	2/2009	Park et al. ....	320/113
2013/0049675	A1 *	2/2013	Minami .....	320/103

\* cited by examiner

*Primary Examiner* — Derrick Holland

(74) *Attorney, Agent, or Firm* — Jeanette Meng Nakagawa

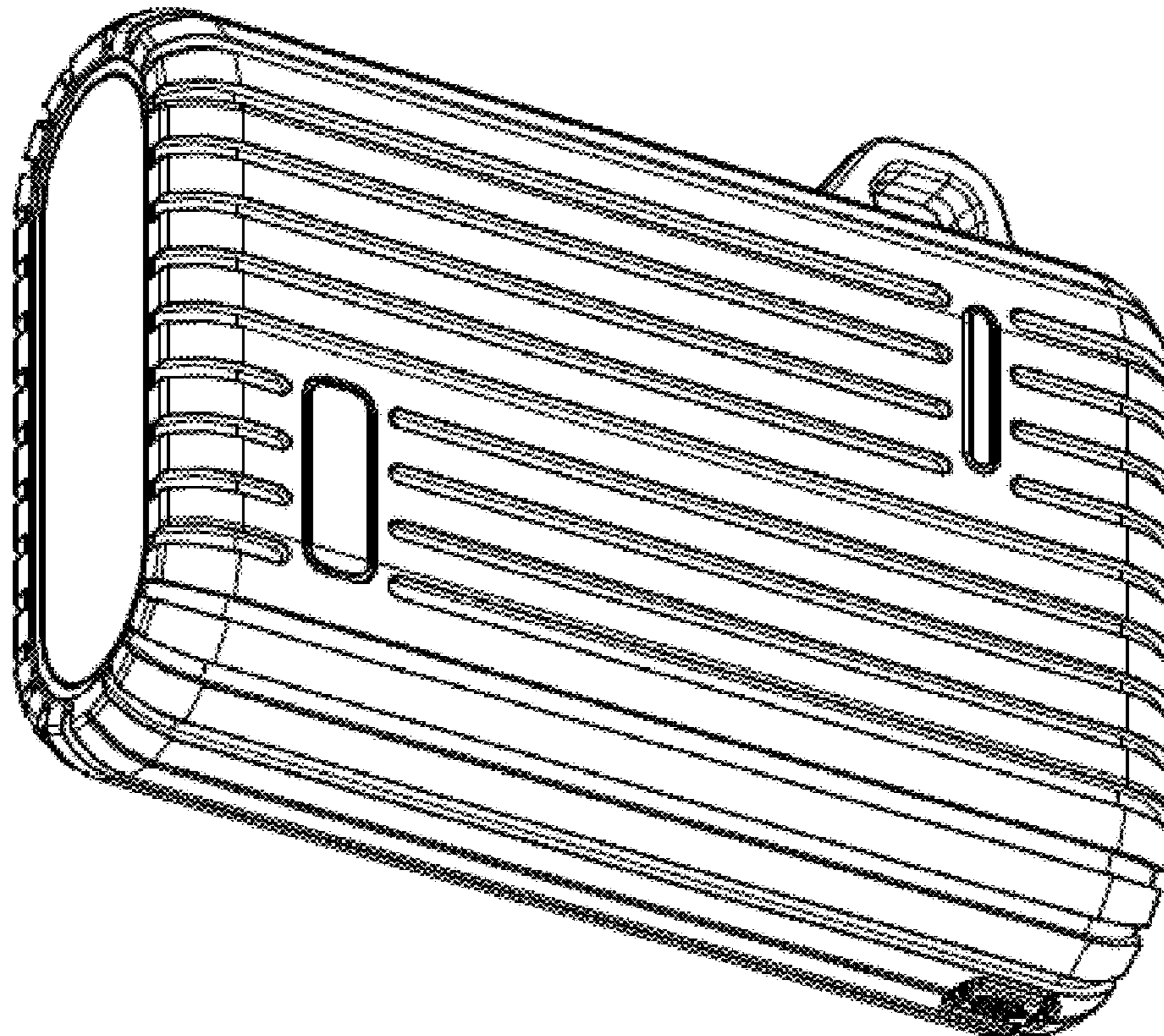
(57) **CLAIM**

The ornamental design for a portable power supply, as shown and described.

**DESCRIPTION**

FIG. 1 is a top perspective view of a portable power supply showing my new design;  
FIG. 2 is a bottom perspective view thereof;  
FIG. 3 is a front view thereof;  
FIG. 4 is a back view thereof;  
FIG. 5 is a left side view thereof;  
FIG. 6 is a right side view thereof;  
FIG. 7 is a top plan view thereof; and,  
FIG. 8 is a bottom plan view thereof.

**1 Claim, 6 Drawing Sheets**



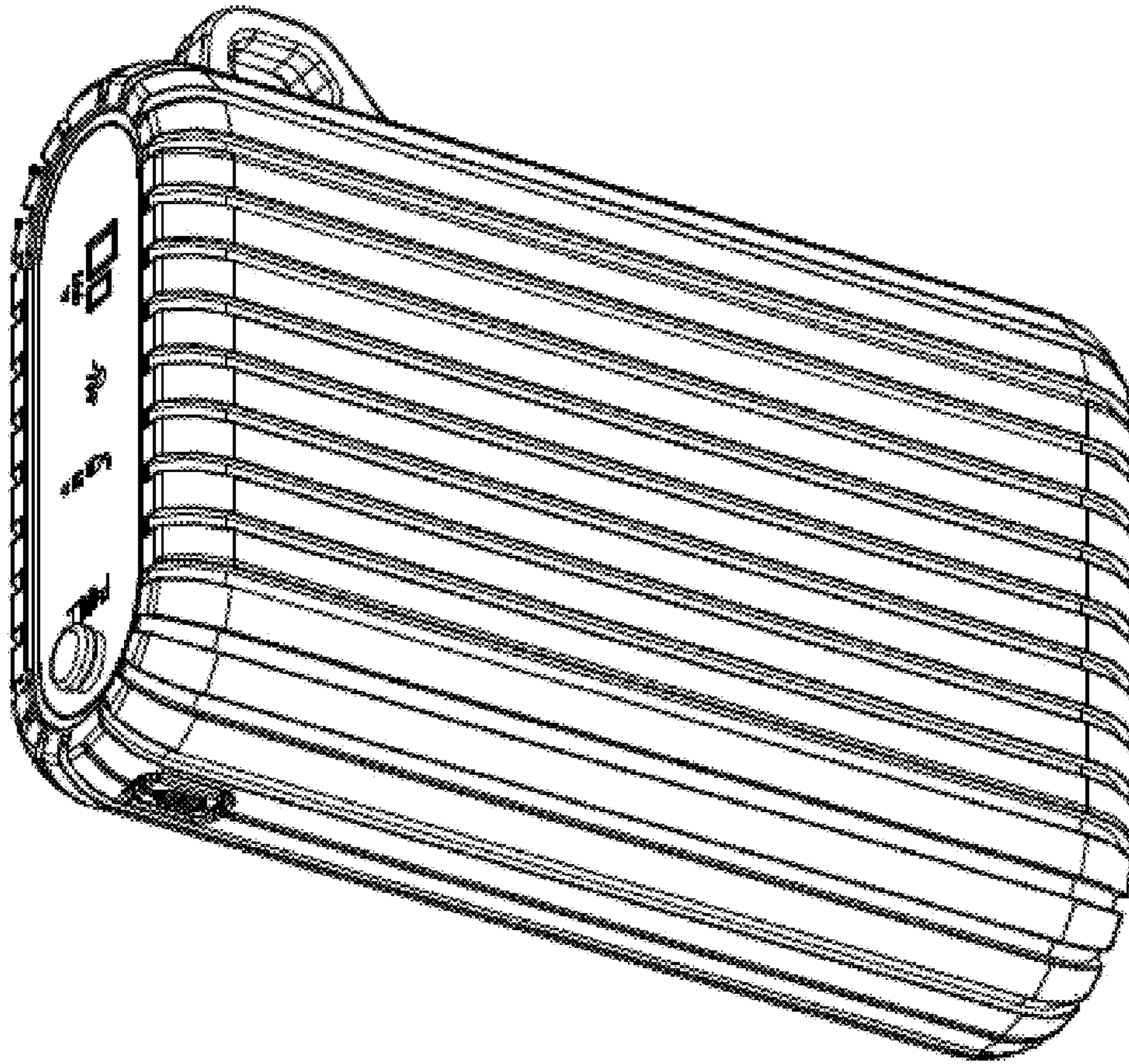


Figure 1.

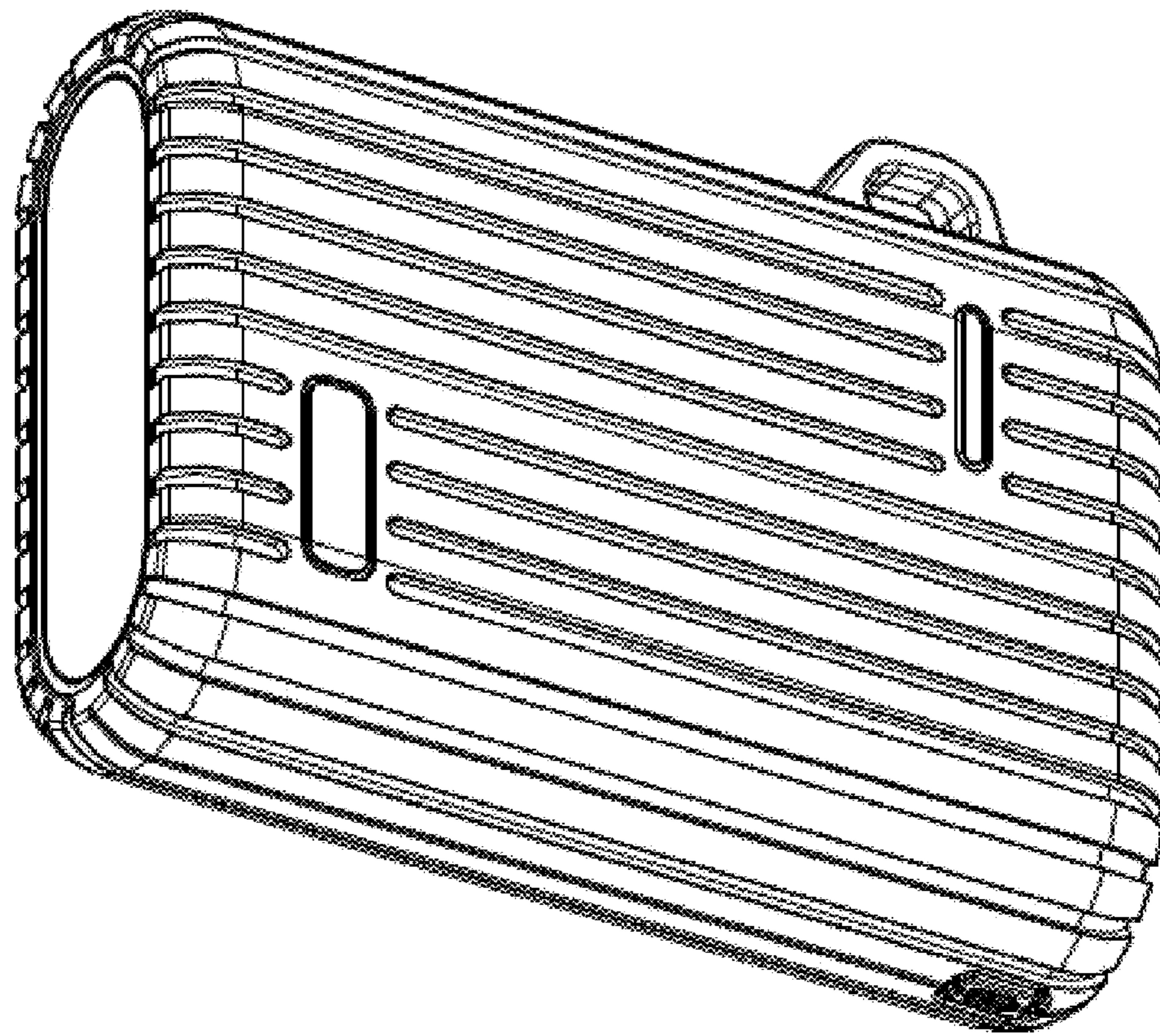


Figure 2.

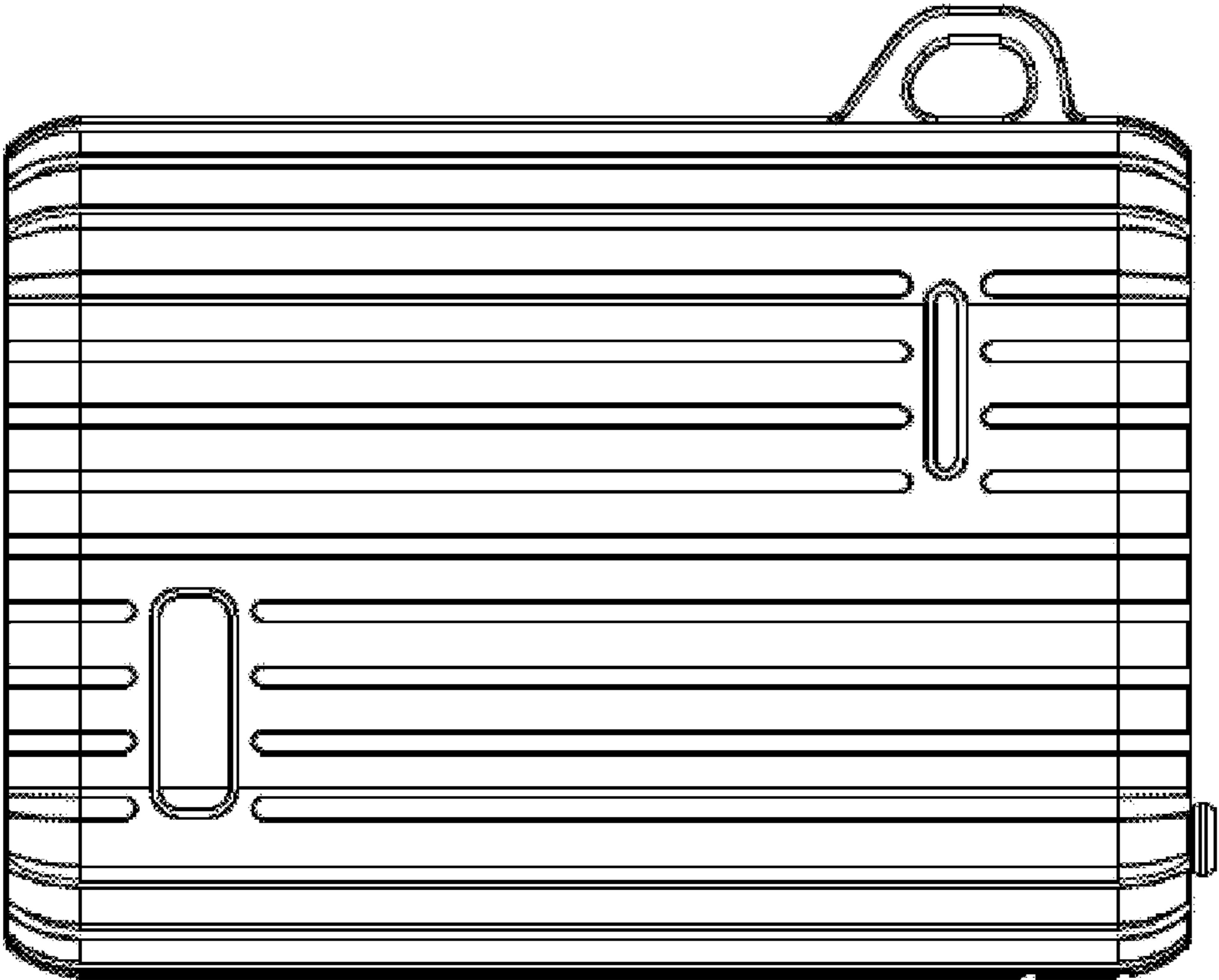


Figure 3.

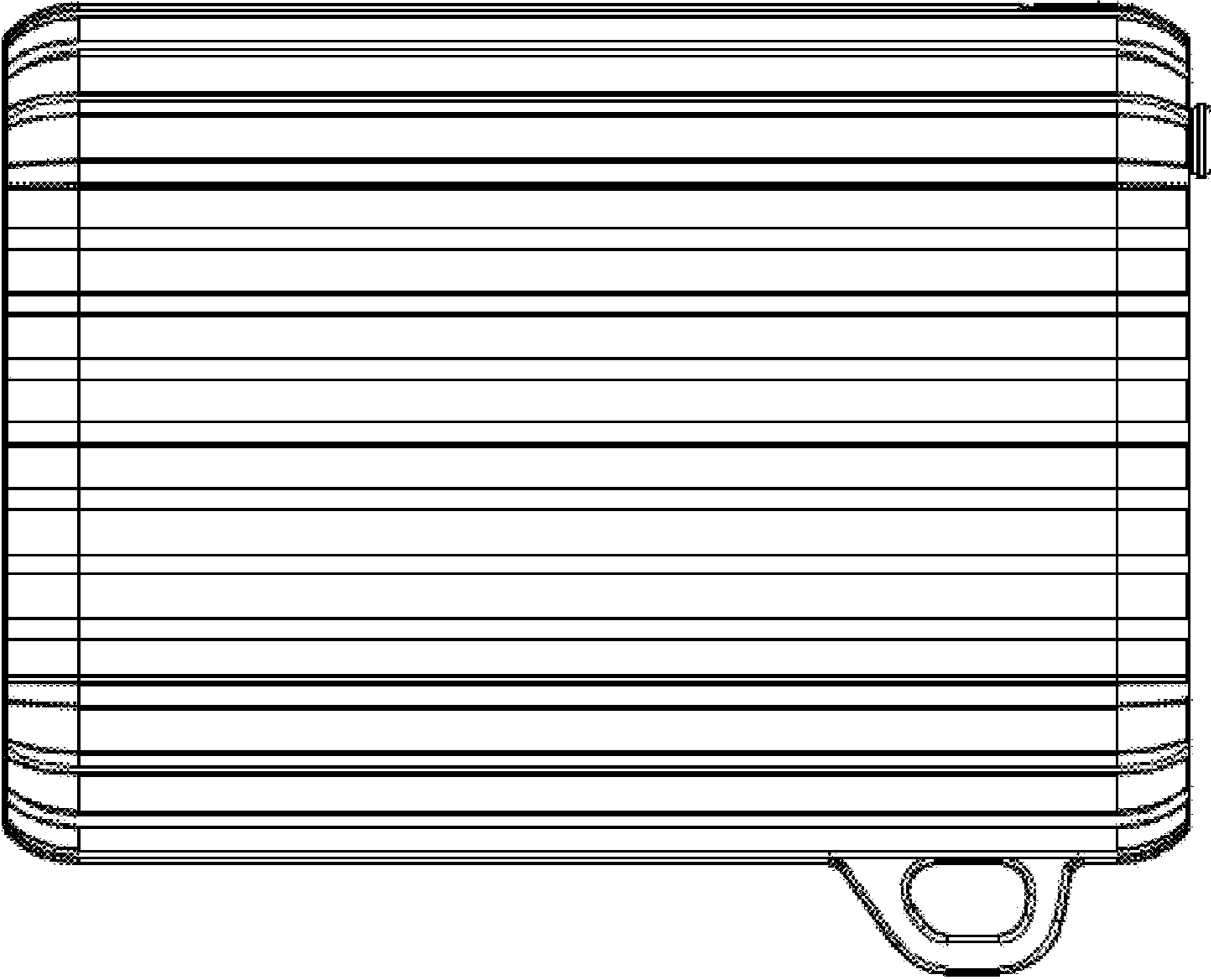


Figure 4.

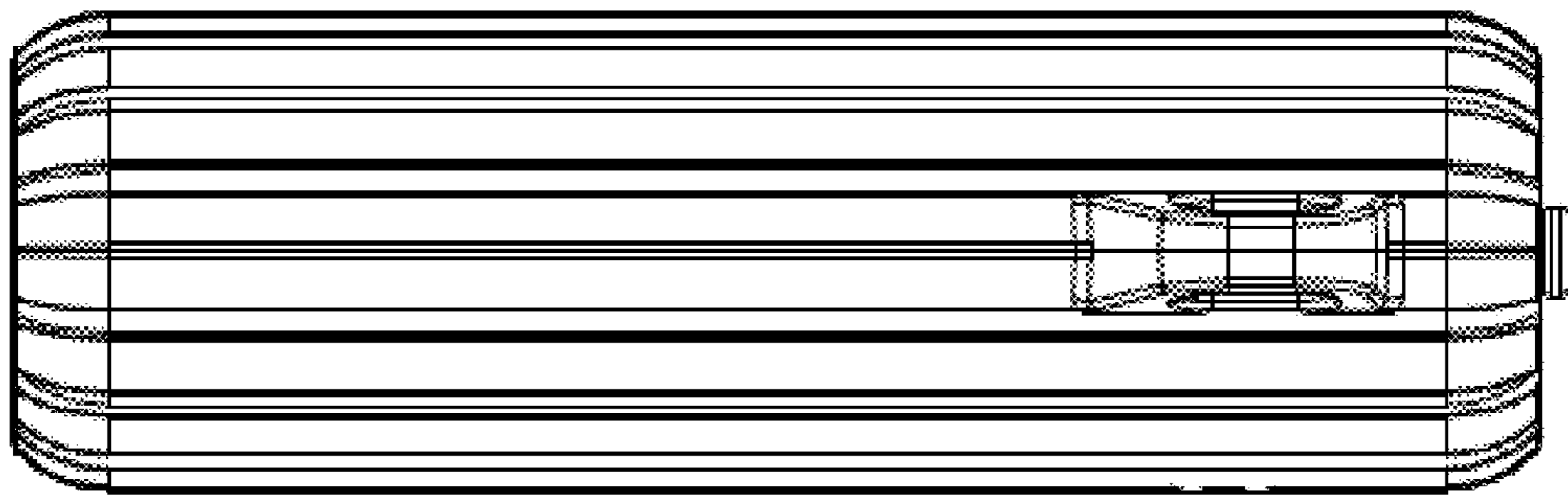


Figure 5.

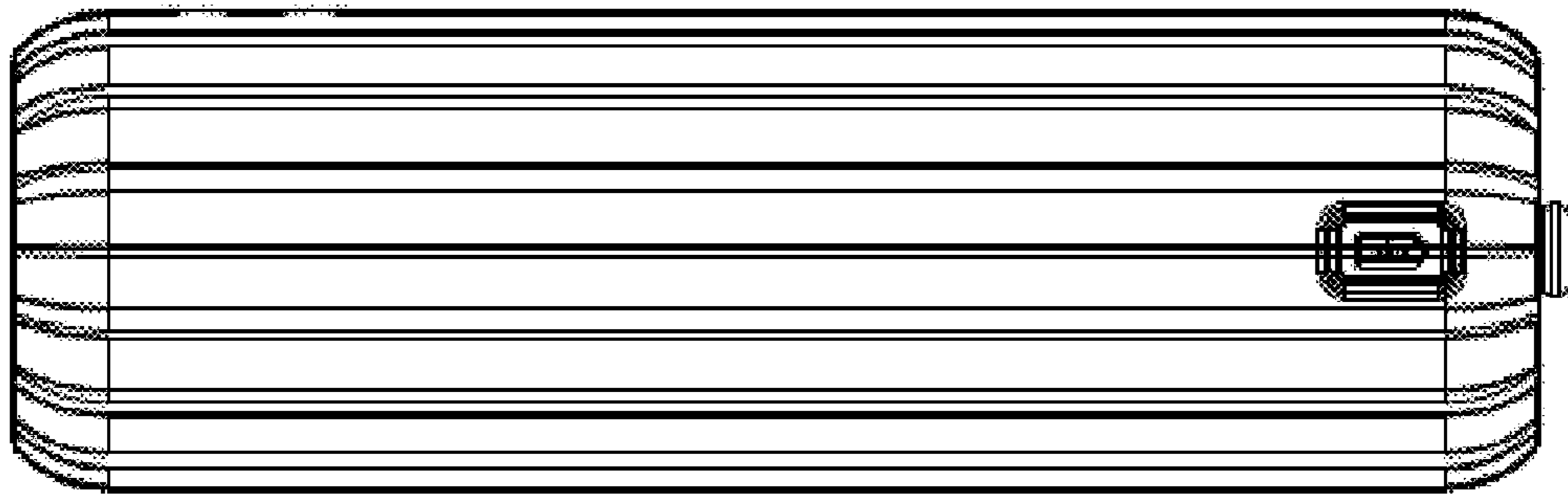


Figure 6.

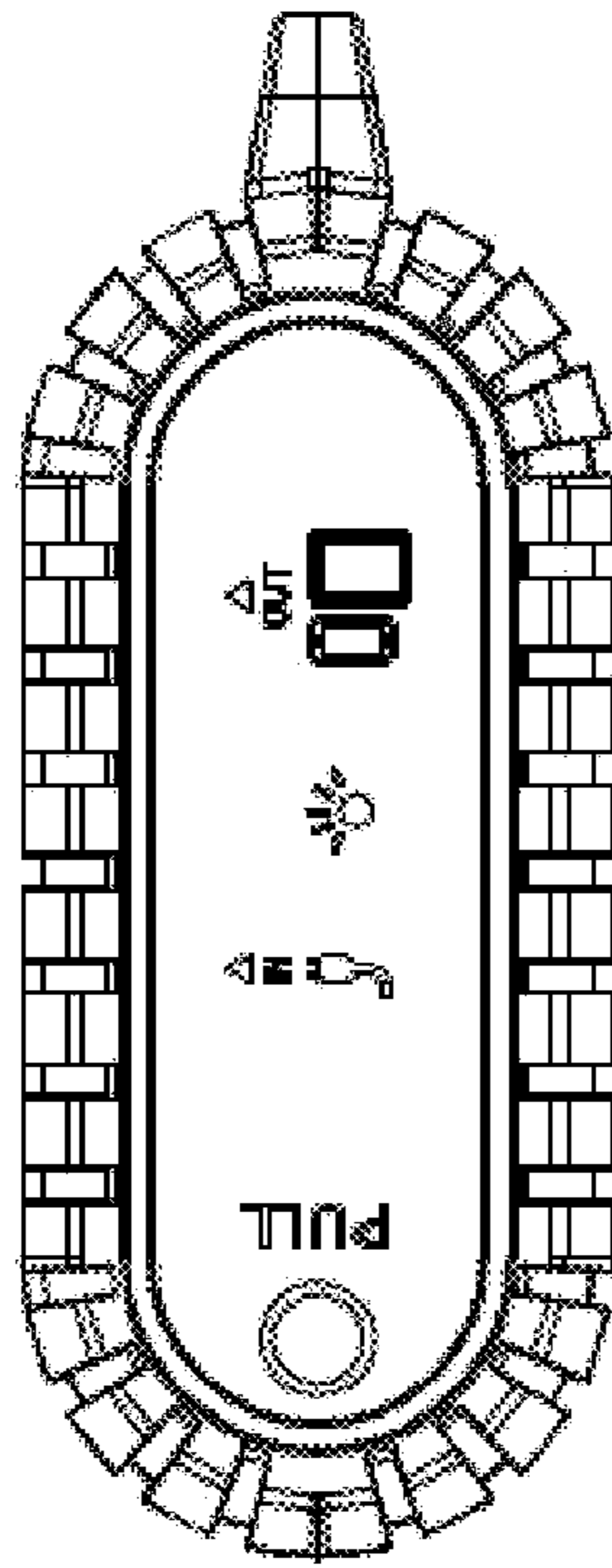


Figure 7.

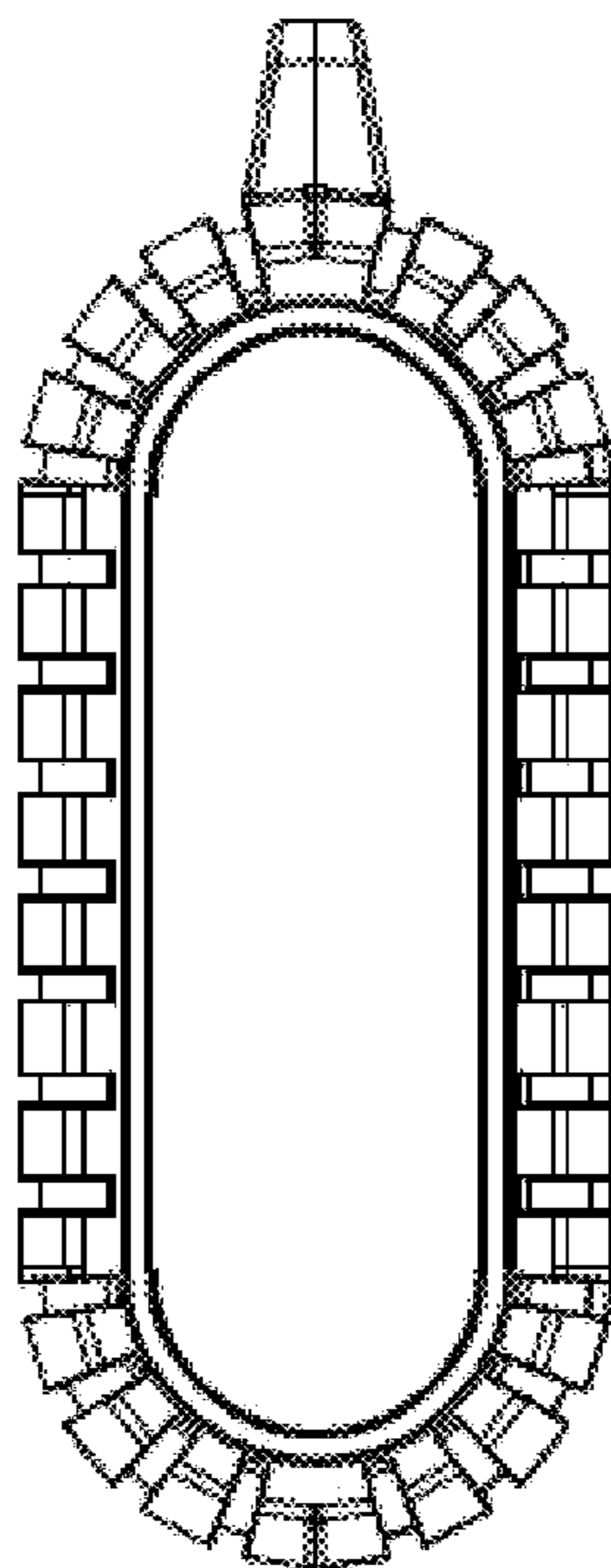


Figure 8.