



US00D727842S

(12) **United States Design Patent**  
**Auberton-Herve et al.**

(10) **Patent No.:** **US D727,842 S**  
(45) **Date of Patent:** **\*\* Apr. 28, 2015**

(54) **MOVEABLE CARRIER FOR PHOTOVOLTAIC MODULES**

(71) Applicant: **Soitec Solar GmbH**, Frieberg (DE)

(72) Inventors: **Antoine Auberton-Herve**, La Tronche (FR); **Jean-Luc Delcari**, Saint Ismier (FR); **Gilles Du Sordet**, Saint Ismier (FR)

(73) Assignee: **Soitec Solar GmbH**, Freiburg (DE)

(\*\*) Term: **14 Years**

(21) Appl. No.: **29/444,581**

(22) Filed: **Jan. 31, 2013**

(30) **Foreign Application Priority Data**

Aug. 3, 2012 (DE) ..... 40 2012 003 642

(51) **LOC (10) CL.** ..... **13-02**

(52) **U.S. CL.**  
USPC ..... **D13/102**

(58) **Field of Classification Search**  
USPC ..... D13/101, 102, 107, 184, 199; D25/55, D25/57; 52/74, 77, 78, 173.3; 126/569, 571, 126/577, 600, 603, 605-608; 136/243-246, 136/251; 320/101

See application file for complete search history.

(56) **References Cited**

U.S. PATENT DOCUMENTS

4,249,511	A *	2/1981	Krisst et al.	126/608
4,261,329	A *	4/1981	Walsh et al.	126/569
5,542,203	A *	8/1996	Luoma et al.	40/610
5,969,501	A *	10/1999	Glidden et al.	320/101
6,201,181	B1 *	3/2001	Azzam et al.	136/244
6,393,769	B1 *	5/2002	Mertik et al.	52/7
6,396,239	B1 *	5/2002	Benn et al.	320/101
6,960,717	B2 *	11/2005	Stuart et al.	136/246
D584,223	S *	1/2009	Cooper	D13/102

7,795,837	B1 *	9/2010	Haun et al.	320/101
D644,602	S *	9/2011	Dieguez et al.	D13/102
D685,725	S *	7/2013	Kunz	D13/102
8,833,985	B2 *	9/2014	Robertson et al.	362/486
2008/0210289	A1 *	9/2008	Chen	136/244
2008/0264409	A1 *	10/2008	Shukla	126/575
2011/0006724	A1 *	1/2011	Reckelhoff	320/101
2011/0176256	A1 *	7/2011	Van Straten	361/601
2011/0181018	A1 *	7/2011	Bruneau	280/414.1
2011/0308574	A1 *	12/2011	Vaidyanathan	136/246
2012/0042936	A1 *	2/2012	Feichtinger et al.	136/252
2012/0073564	A1 *	3/2012	Cheng et al.	126/573
2012/0291847	A1 *	11/2012	Rowe et al.	136/245
2014/0014159	A1 *	1/2014	Polk	136/246
2014/0261387	A1 *	9/2014	Hansen	126/608
2014/0285005	A1 *	9/2014	Casteel	307/23

\* cited by examiner

*Primary Examiner* — Derrick Holland  
*Assistant Examiner* — Jennifer O King

(74) *Attorney, Agent, or Firm* — Winston & Strawn LLP

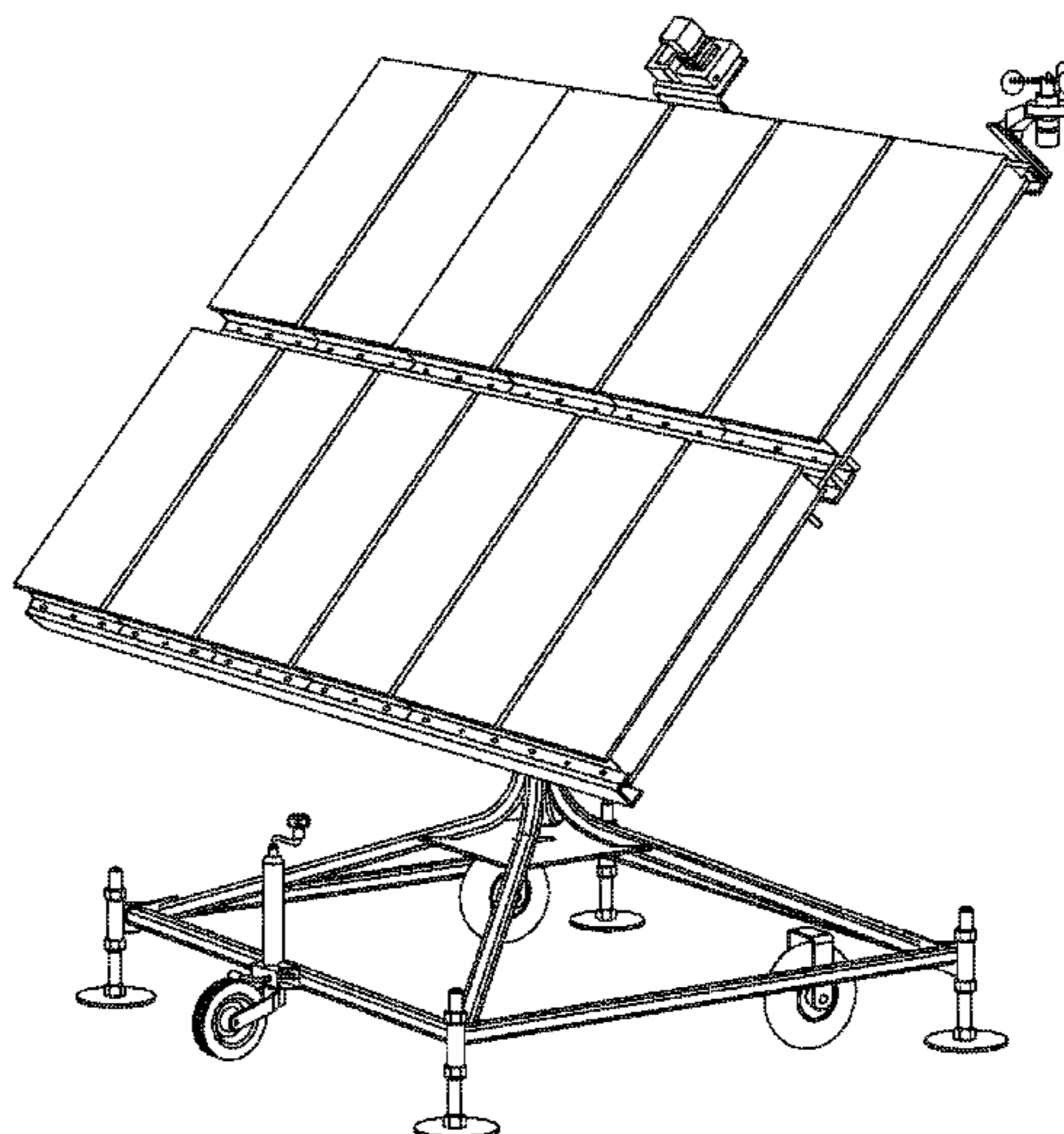
(57) **CLAIM**

The ornamental design for a moveable carrier for photovoltaic modules, as shown and described.

**DESCRIPTION**

FIG. 1 is a right front perspective view of a moveable carrier for photovoltaic modules showing my new design;  
FIG. 2 is a right rear perspective view thereof;  
FIG. 3 is a front elevation view thereof;  
FIG. 4 is a rear elevation thereof;  
FIG. 5 is a left side elevation view thereof;  
FIG. 6 is a right side elevation view thereof;  
FIG. 7 is a right side elevation view of a moveable carrier for photovoltaic modules in a horizontal position showing my new design; and,  
FIG. 8 is a right side elevation view of a moveable carrier for photovoltaic modules in a vertical position showing my new design.  
The broken lines shown represent unclaimed subject matter and form no part of the claimed design.

**1 Claim, 8 Drawing Sheets**



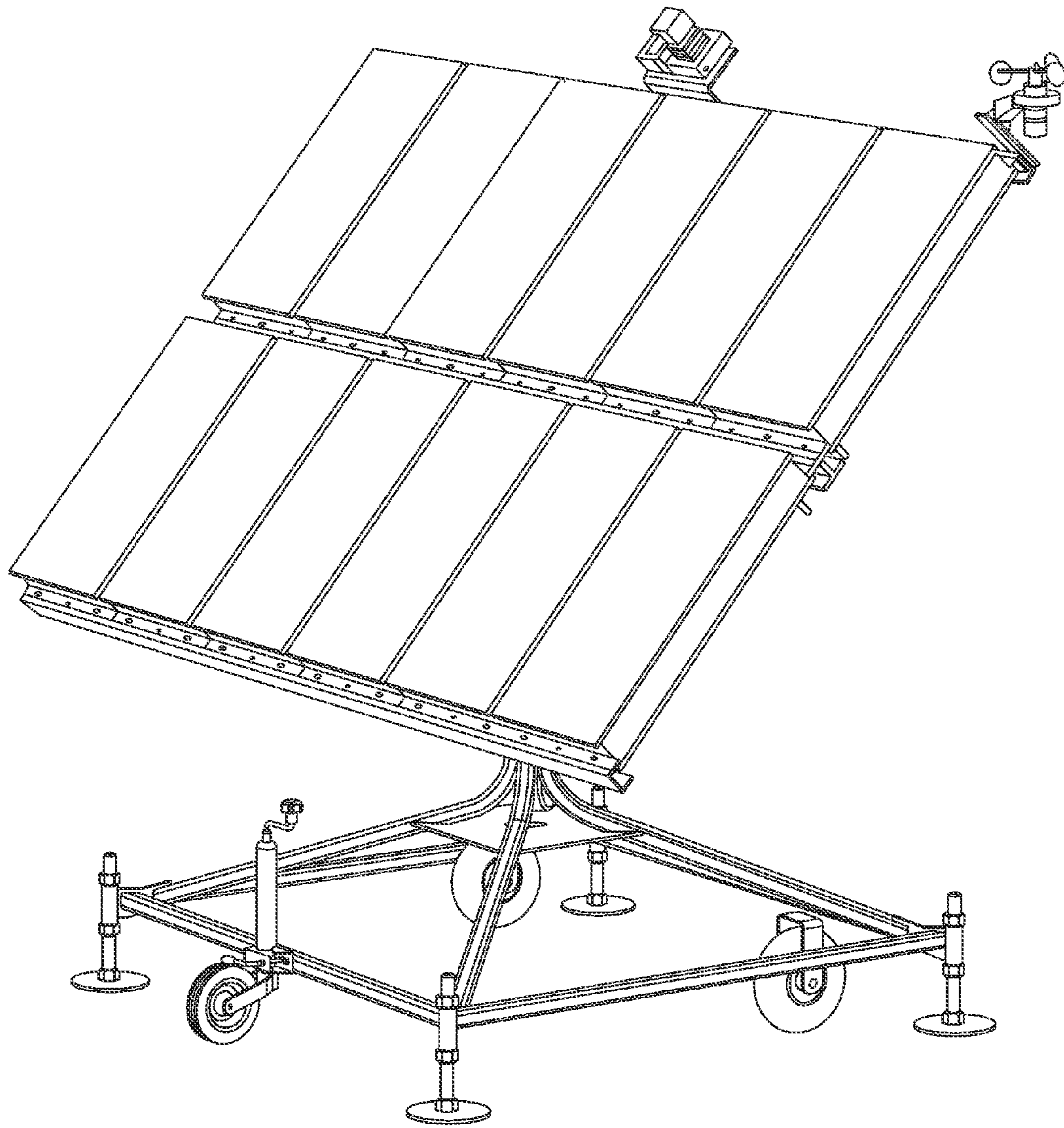


FIG. 1

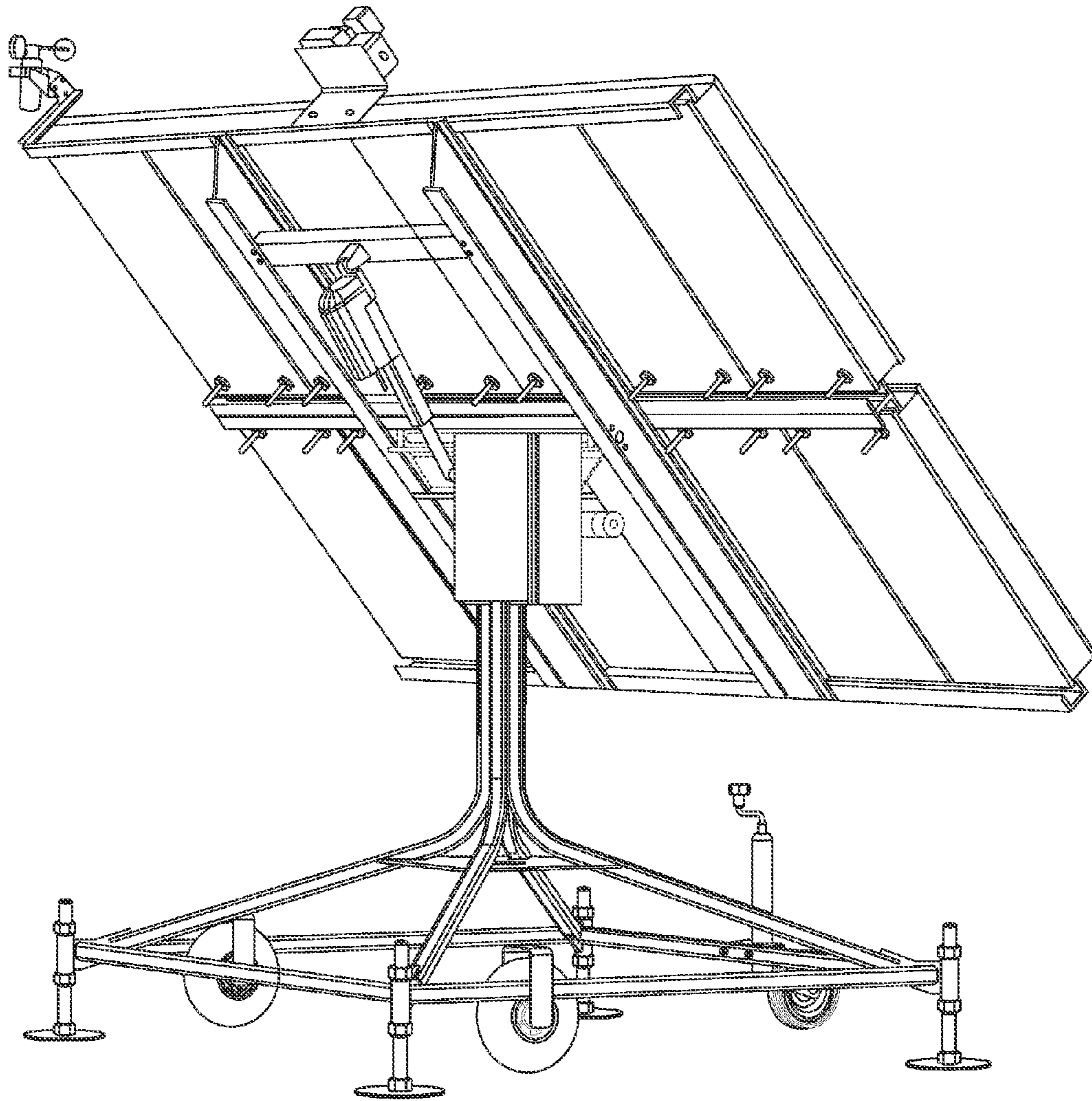


FIG. 2

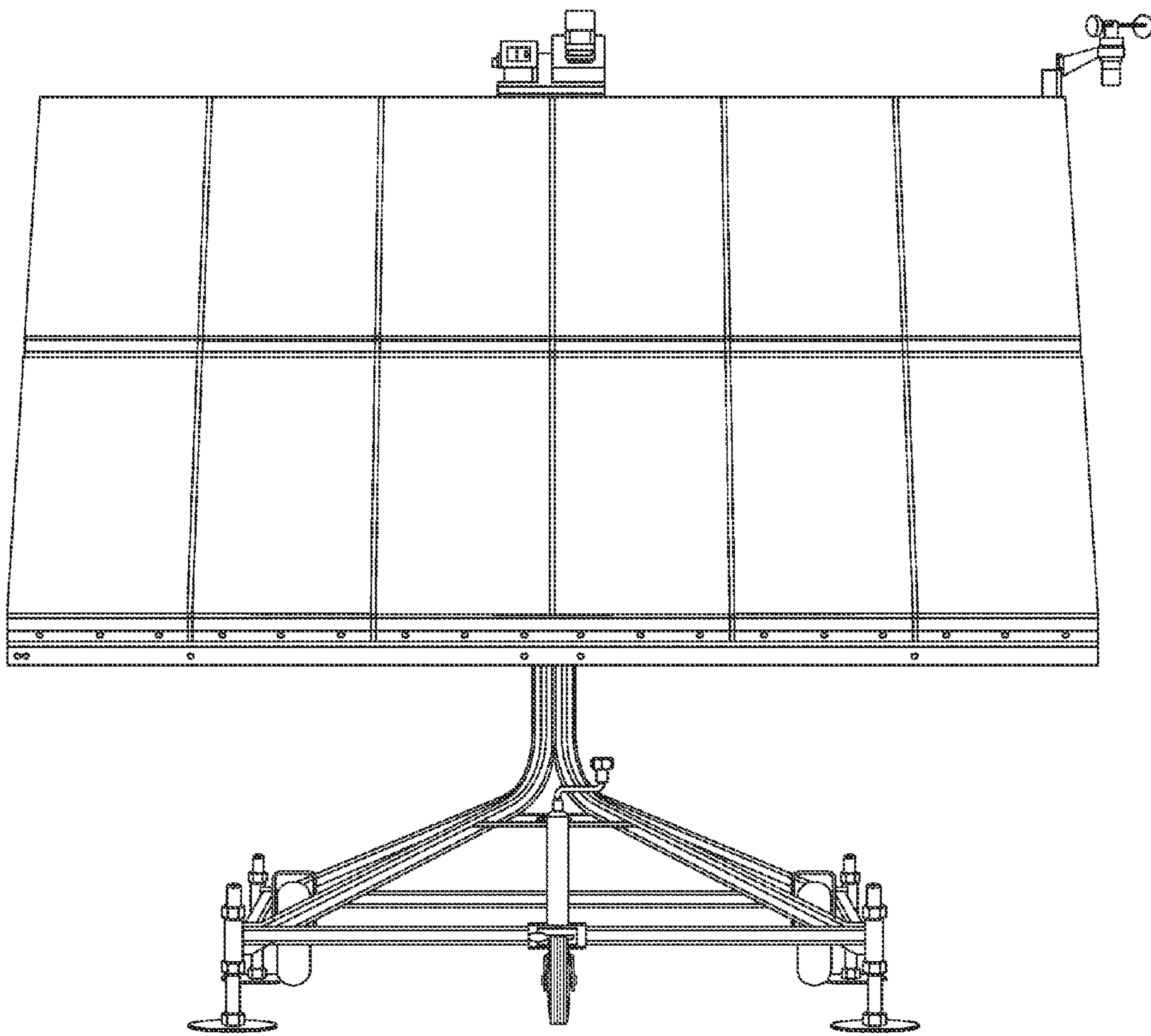


FIG. 3

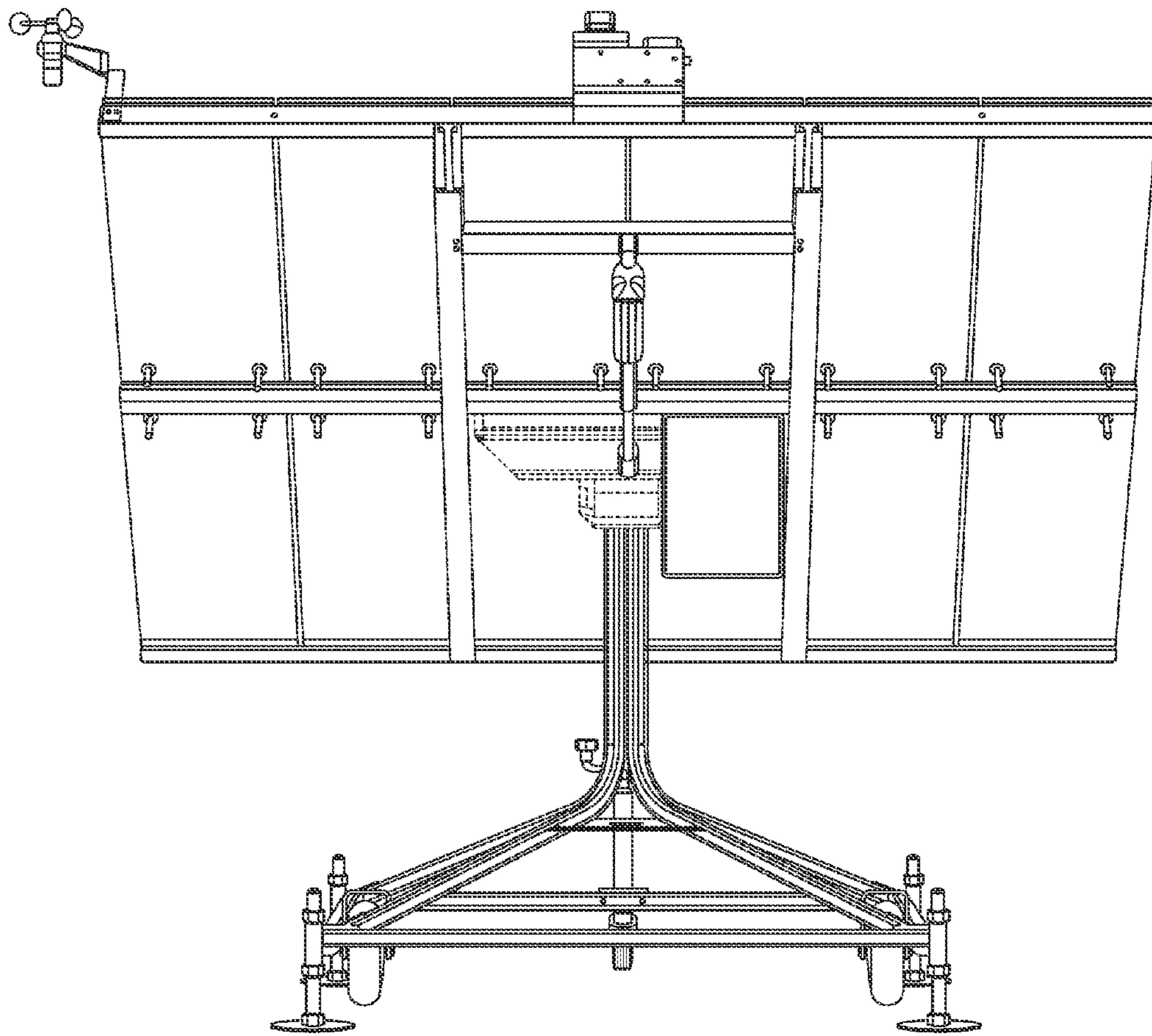


FIG. 4

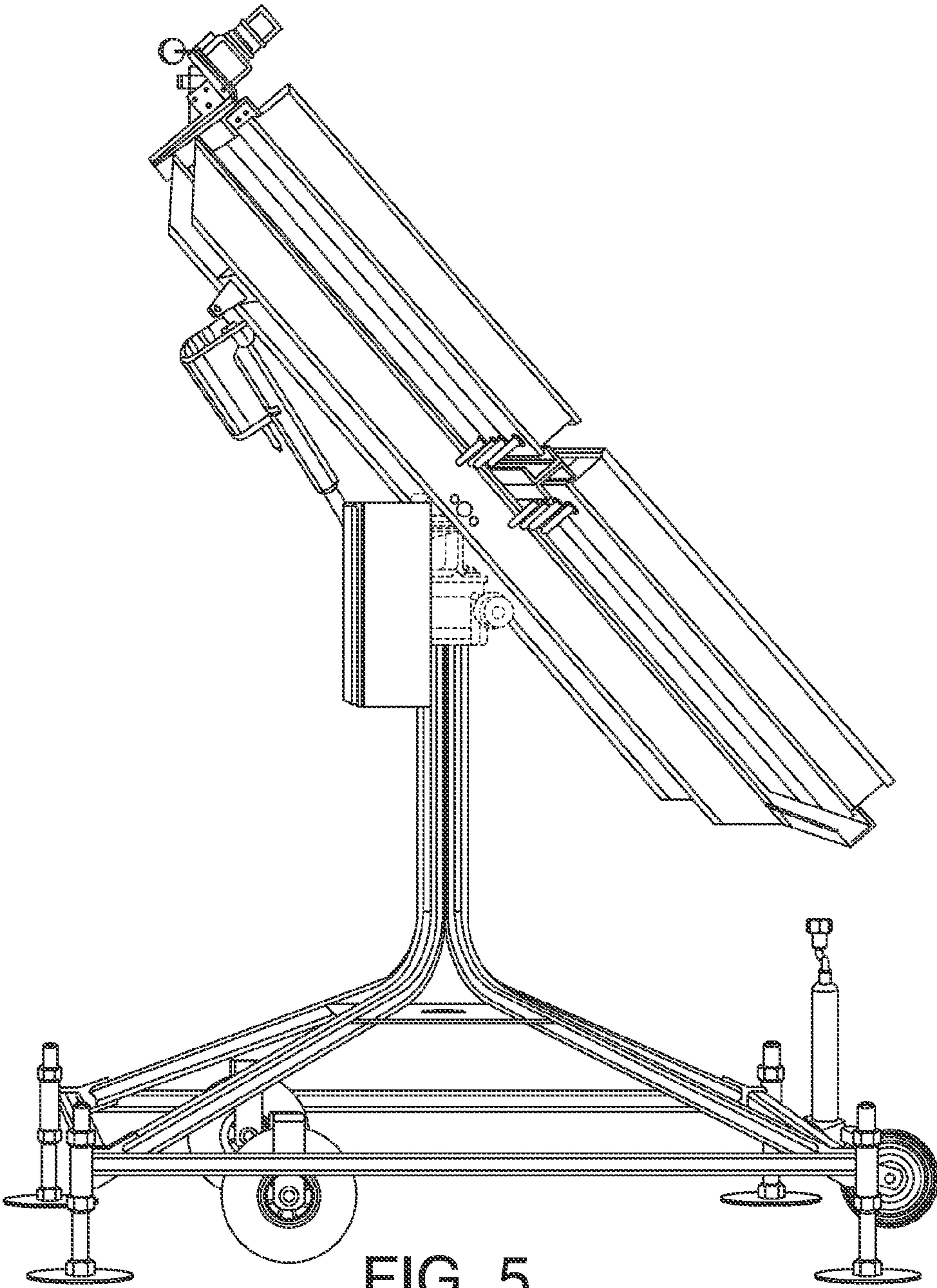


FIG. 5

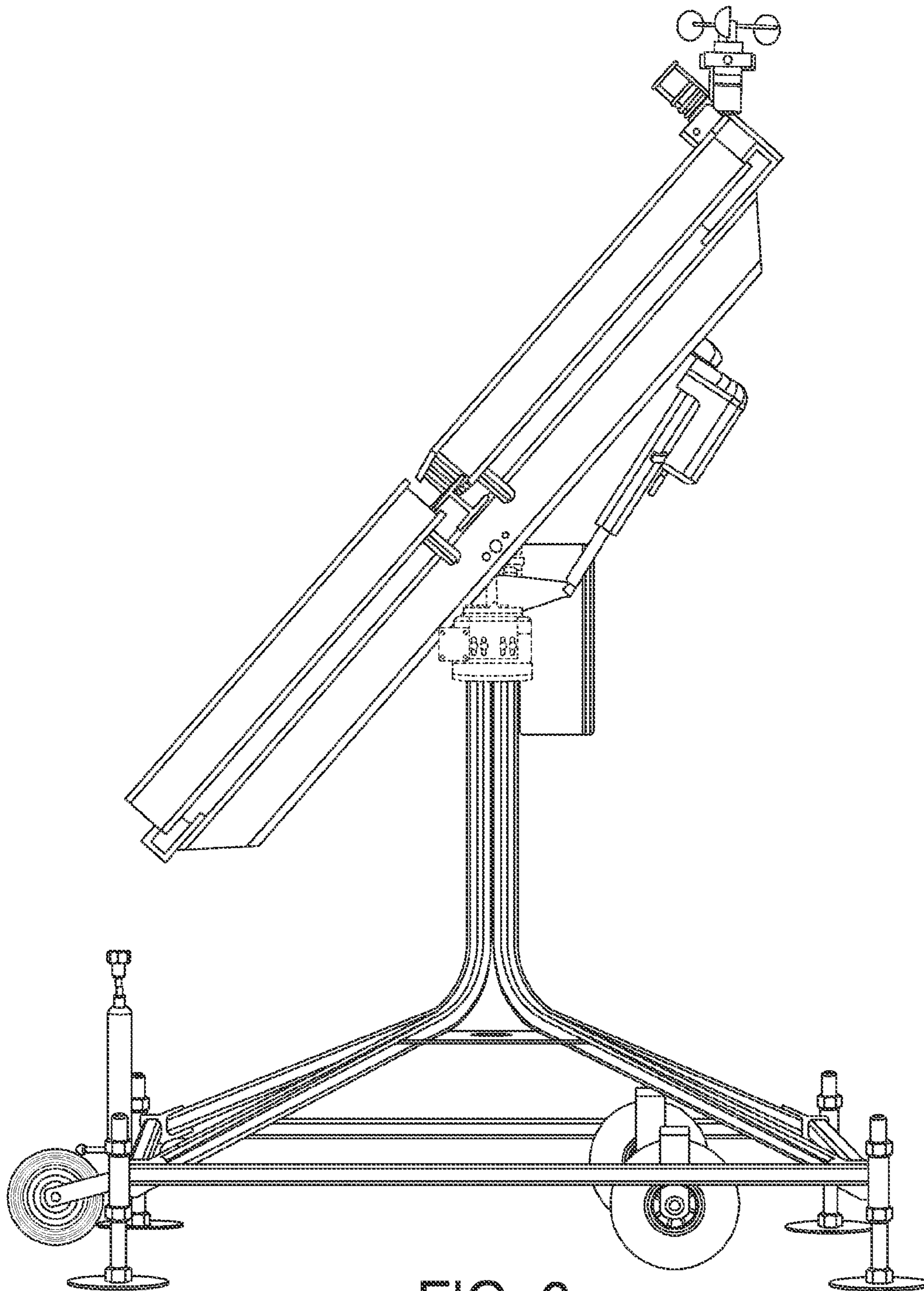


FIG. 6

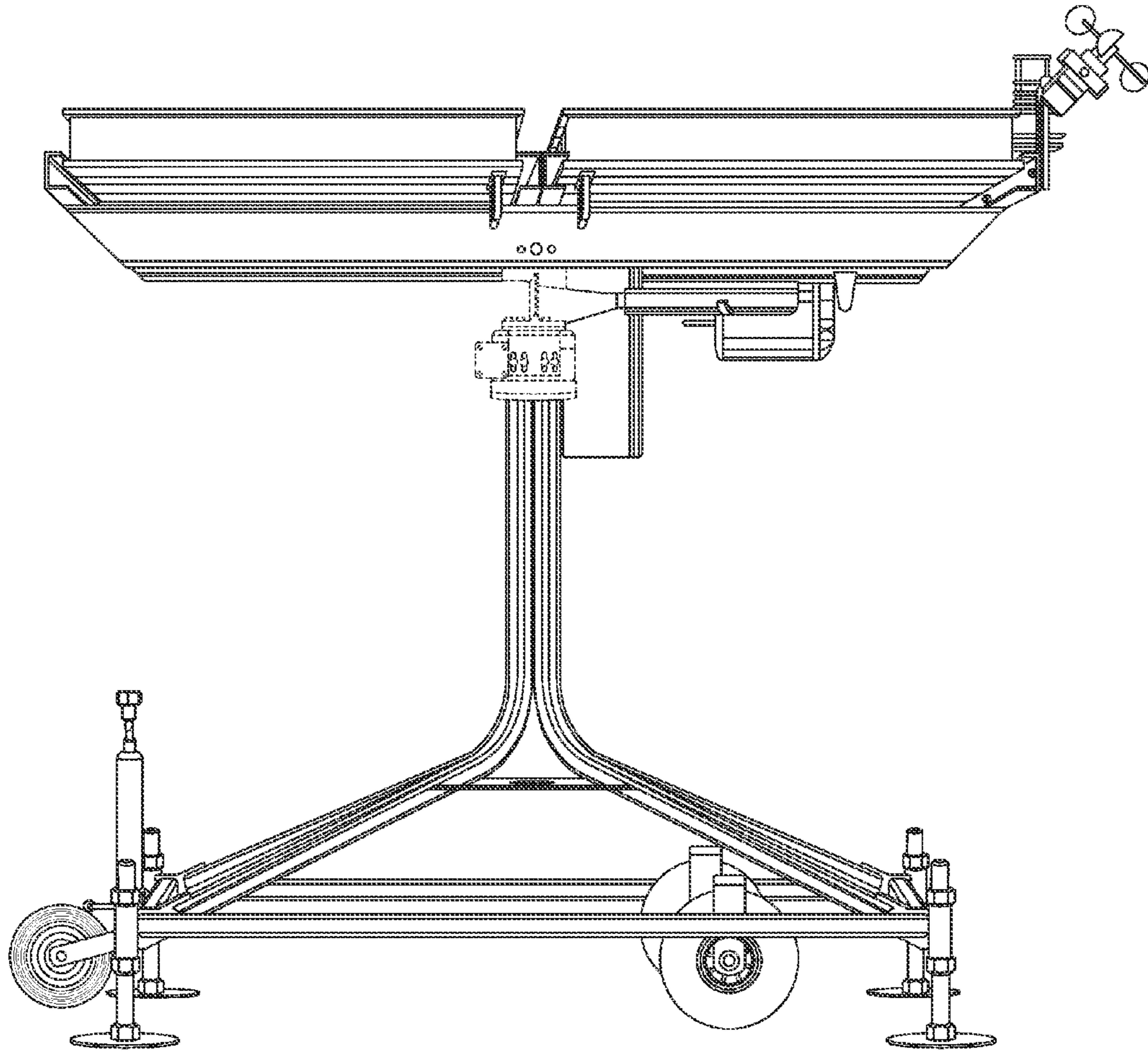


FIG. 7



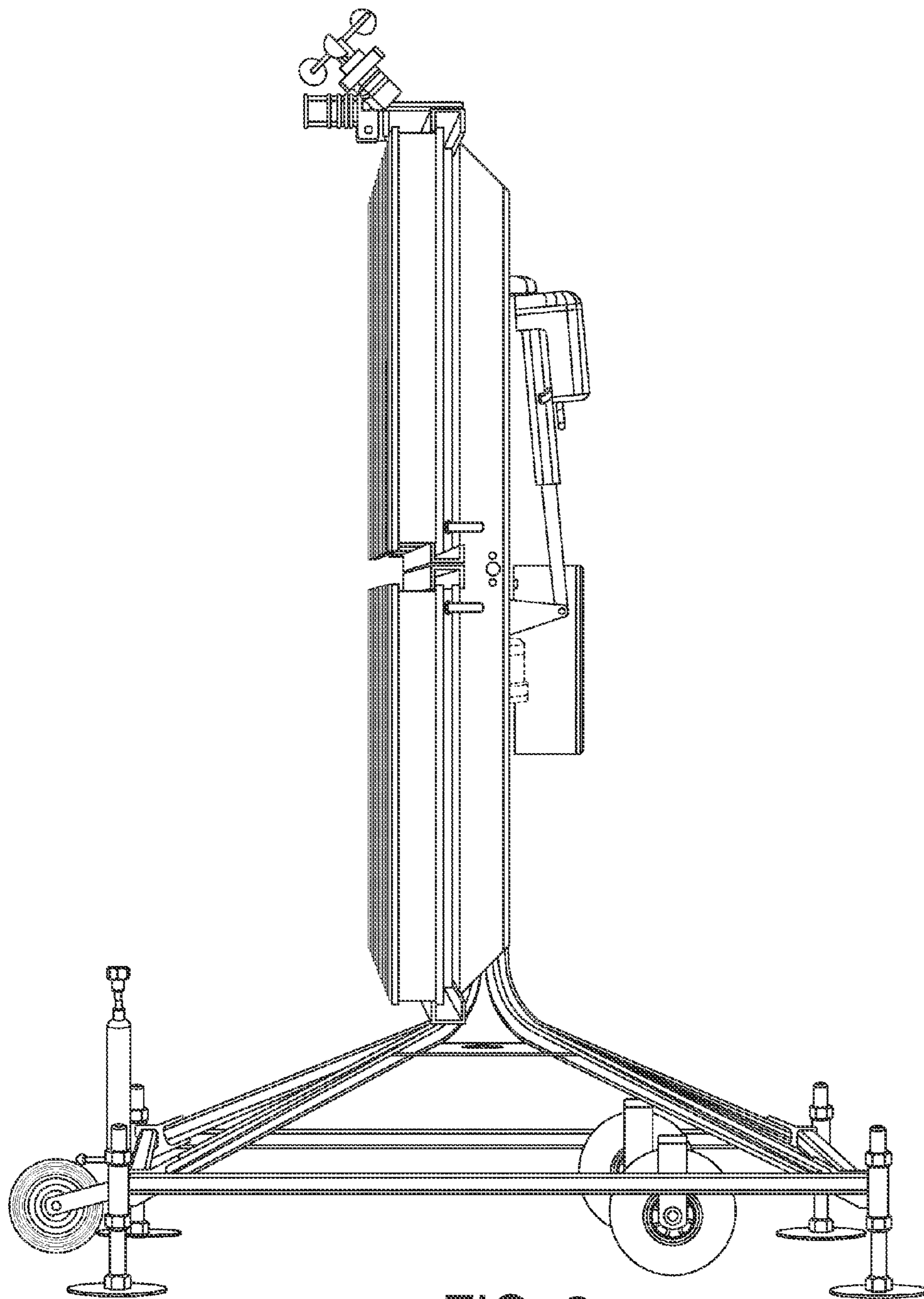


FIG. 8