

US00D727832S

(12) **United States Design Patent**  
**Hodges**

(10) **Patent No.:** **US D727,832 S**

(45) **Date of Patent:** **\*\* Apr. 28, 2015**

(54) **SUV CONSOLE BAR STATION**

(71) Applicant: **Frank J. Hodges**, Corona, CA (US)

(72) Inventor: **Frank J. Hodges**, Corona, CA (US)

(\*\*) Term: **14 Years**

(21) Appl. No.: **29/447,531**

(22) Filed: **Mar. 4, 2013**

(51) **LOC (10) Cl.** ..... **12-16**

(52) **U.S. Cl.**  
USPC ..... **D12/419**

(58) **Field of Classification Search**  
USPC ..... D12/415-425, 191, 106, 400, 195, 345,  
D12/96, 99; 312/246; 296/97.1-97.8, 70,  
296/24.1-24.3, 24.32; 224/311, 539, 281,  
224/118.1

See application file for complete search history.

(56) **References Cited**

**U.S. PATENT DOCUMENTS**

D576,821 S \* 9/2008 Fissette et al. .... D6/429  
D634,698 S \* 3/2011 Saint-Jalmes et al. .... D12/423

7,966,952 B2 \* 6/2011 Fissette et al. .... 108/166  
D677,212 S \* 3/2013 Schrag ..... D12/415  
D677,213 S \* 3/2013 Robinson et al. .... D12/415  
D696,181 S \* 12/2013 Martin et al. .... D12/415  
8,678,312 B2 \* 3/2014 Headrick et al. .... 244/118.6

\* cited by examiner

*Primary Examiner* — Katrina A Betton

(74) *Attorney, Agent, or Firm* — Eric B. Alspaugh

(57) **CLAIM**

The ornamental design for a SUV console bar station, as shown and described.

**DESCRIPTION**

FIG. 1 is a front view of a SUV console bar station showing my new design;

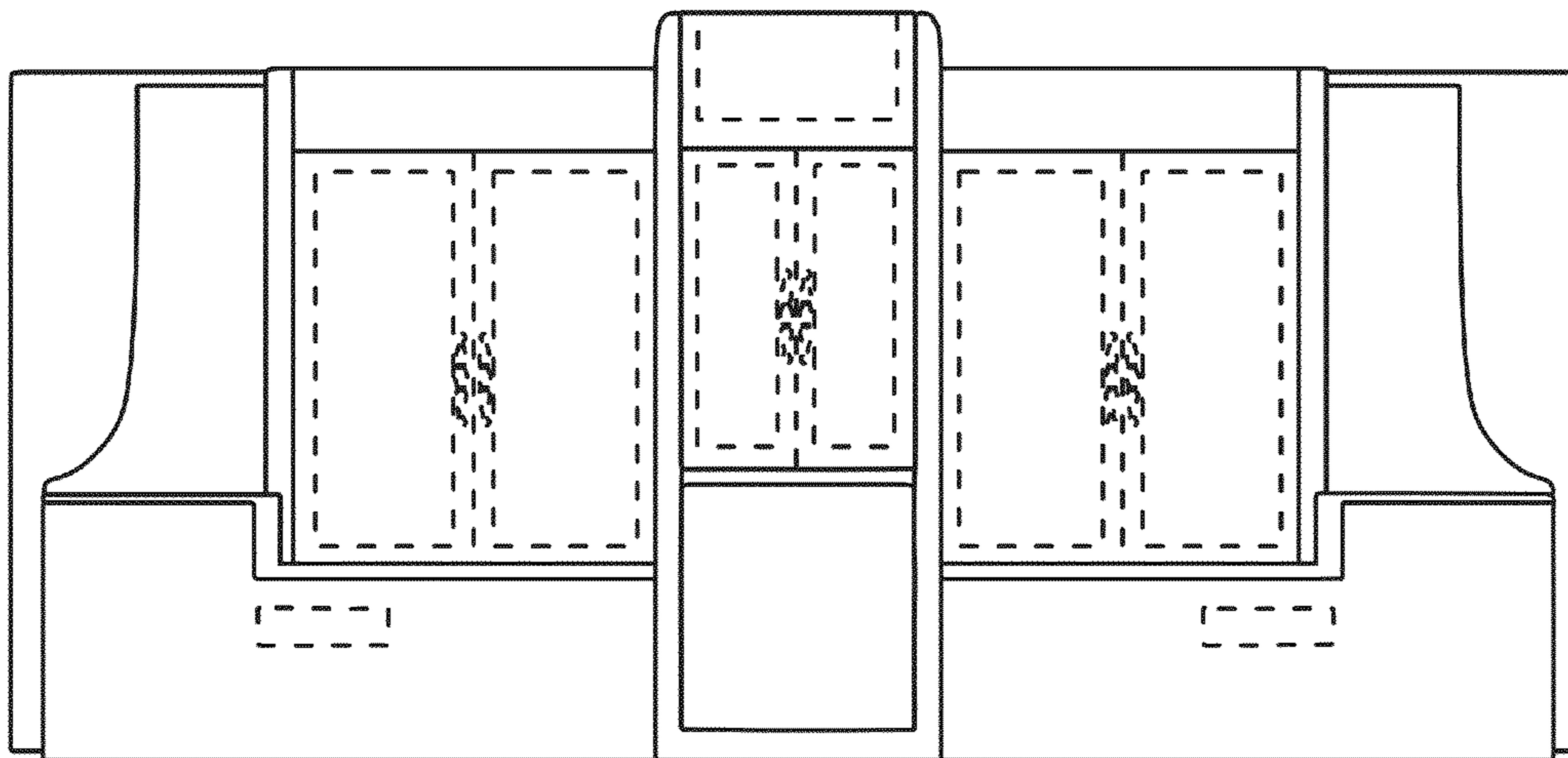
FIG. 2 is a side view thereof;

FIG. 3 is an oblique view thereof; and,

FIG. 4 is a topside view thereof.

In the drawings, the broken lines depict portions of the article that form no part of the claimed design.

**1 Claim, 4 Drawing Sheets**



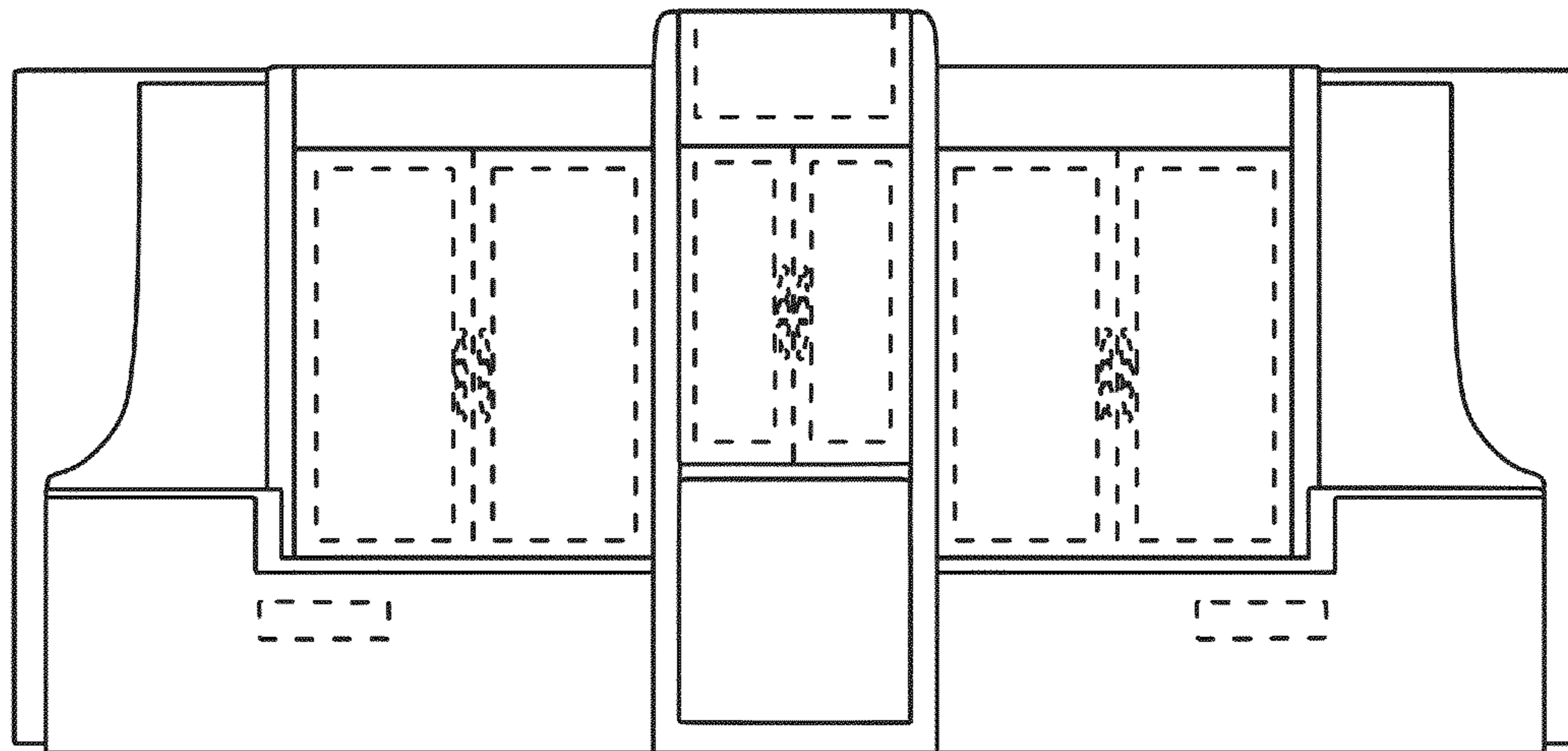


Fig. 1

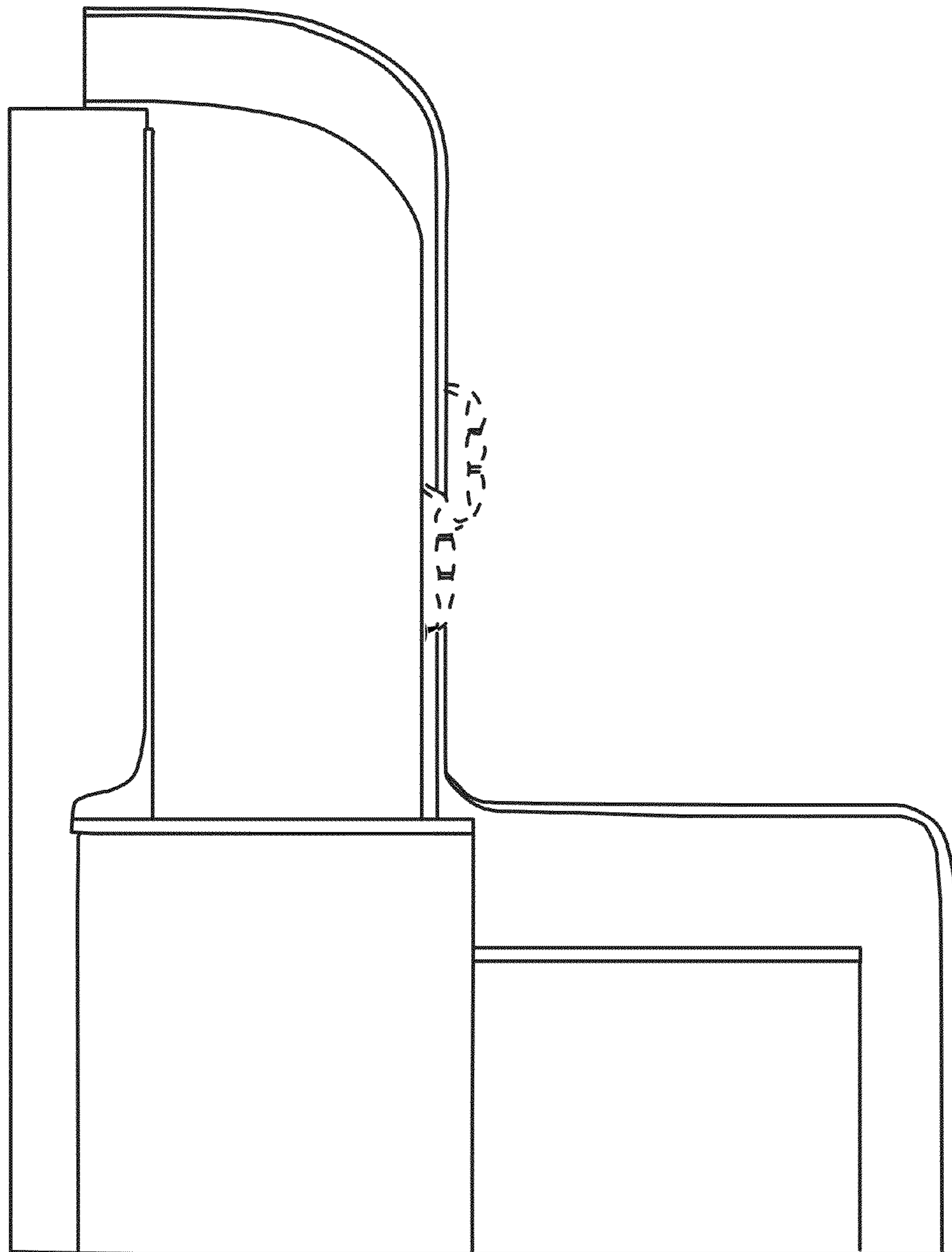


Fig. 2

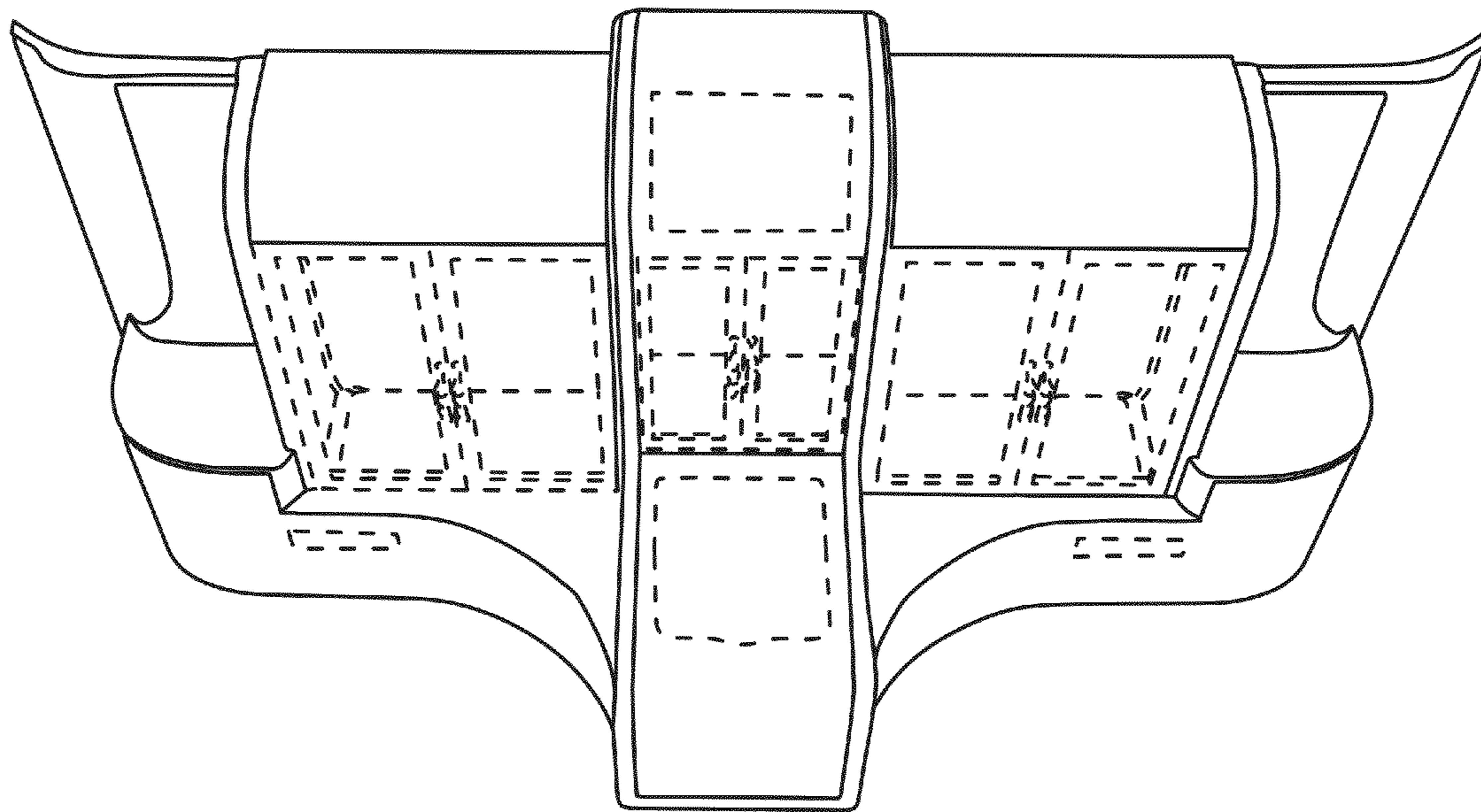


Fig. 3

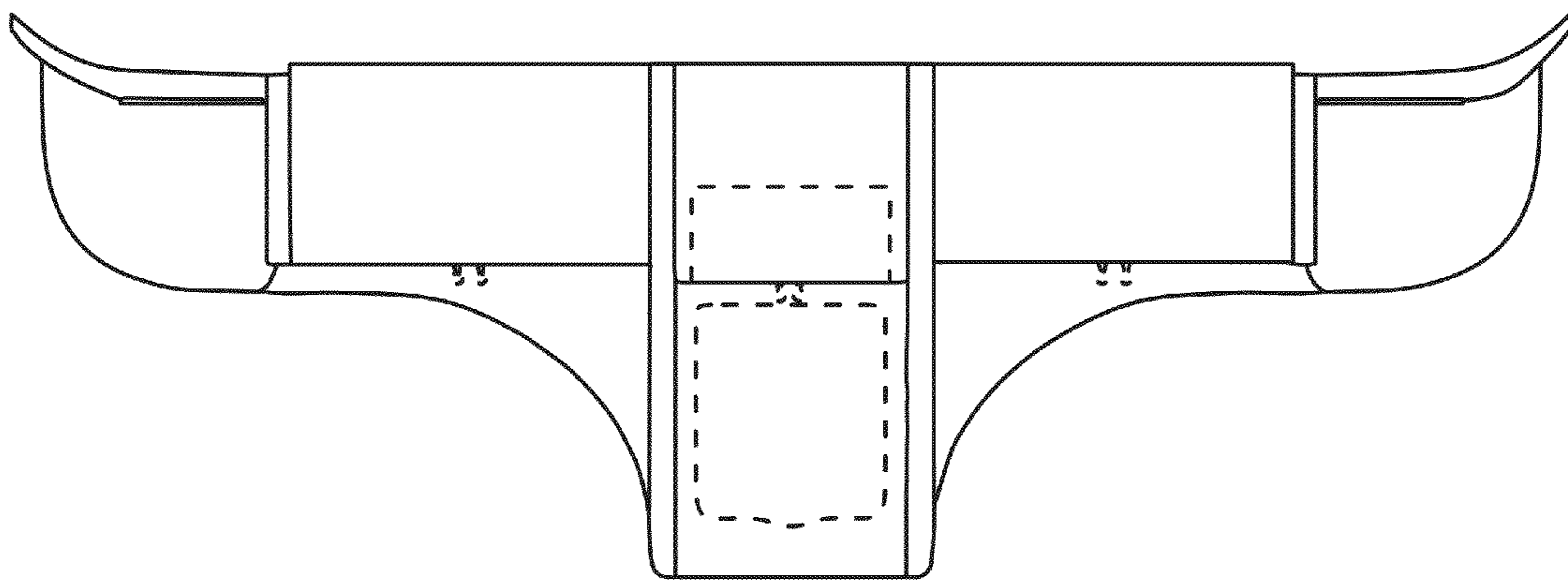


Fig. 4