



US00D727830S

(12) **United States Design Patent**
Arboix

(10) **Patent No.:** **US D727,830 S**

(45) **Date of Patent:** **** Apr. 28, 2015**

(54) **FILM TYPE HEADS UP DISPLAY FOR A VEHICLE**

- (71) Applicant: **Optea AB**, Stockholm (SE)
- (72) Inventor: **Esteban Arboix**, Sundbyberg (SE)
- (73) Assignee: **Optea AB**, Stockholm (SE)
- (**) Term: **14 Years**
- (21) Appl. No.: **29/448,432**
- (22) Filed: **Mar. 12, 2013**

(30) **Foreign Application Priority Data**

Sep. 17, 2012 (EM) 002103978-0001

(51) **LOC (10) Cl.** **12-16**

(52) **U.S. Cl.**
USPC **D12/400**; D16/221; D16/241

(58) **Field of Classification Search**
CPC G03H 1/22; G03H 2001/2215; G03H 2001/2221; G08G 5/0017; G09B 9/307; G09B 9/32; G09B 9/34; H04N 9/31; H04N 9/3129
USPC D12/15, 92, 93, 191, 192, 193, 400, D12/415, 417, 418, 420; D14/314, 322, D14/326, 336, 371, 372, 375, 432; D16/221, 225, 229, 232, 235, 236, D16/241; 248/917; 353/79; D15/28

See application file for complete search history.

(56) **References Cited**

U.S. PATENT DOCUMENTS

| | | | | | | |
|--------------|----|---|---------|-----------------|-------|---------|
| D228,807 | S | * | 10/1973 | Cinque | | D16/225 |
| 5,999,232 | A | * | 12/1999 | Kepley et al. | | 348/744 |
| D619,133 | S | * | 7/2010 | Bucsa | | D14/314 |
| D625,929 | S | * | 10/2010 | Mitchell et al. | | D14/371 |
| D637,569 | S | * | 5/2011 | Desai et al. | | D14/126 |
| D650,822 | S | * | 12/2011 | Iwama et al. | | D16/221 |
| 8,267,527 | B2 | * | 9/2012 | Kepley, Jr. | | 353/79 |
| D668,653 | S | * | 10/2012 | Chiu | | D14/371 |
| D699,280 | S | * | 2/2014 | Lim et al. | | D16/241 |
| D709,068 | S | * | 7/2014 | Kurihara | | D14/371 |
| D712,867 | S | * | 9/2014 | Vats | | D14/375 |
| 2007/0035511 | A1 | * | 2/2007 | Banerjee et al. | | 345/156 |
| 2014/0327613 | A1 | * | 11/2014 | Chessa et al. | | 345/156 |

OTHER PUBLICATIONS

Optea ForestFalcon Head's Up Display System. (Oct. 2012), [online], [site visited Dec. 23, 2014]. Available from internet, <URL: Retrieved from http://www.optea.com/wp-content/uploads/2014/04/81-FF-00001-01_Eng.pdf>.*

* cited by examiner

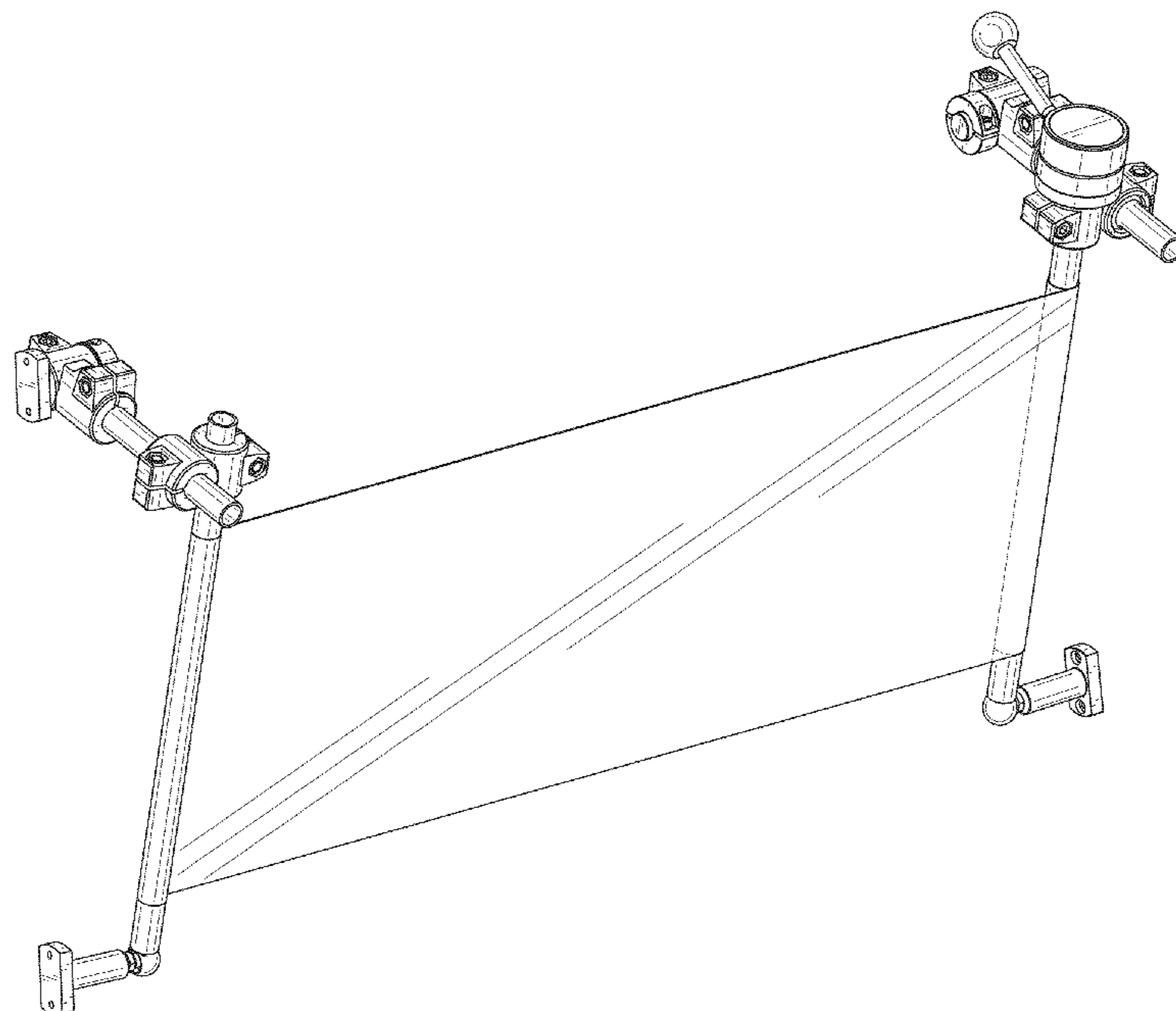
Primary Examiner — Jeffrey D Asch
Assistant Examiner — Natasha Vujcic
(74) *Attorney, Agent, or Firm* — Sughrue Mion, PLLC

(57) **CLAIM**
The ornamental design for a film type heads up display for a vehicle, as shown and described.

DESCRIPTION

FIG. 1 is a left side isometric view of a film type heads up display for a vehicle according to my new design; and, FIG. 2 is a right side isometric view thereof.

1 Claim, 2 Drawing Sheets



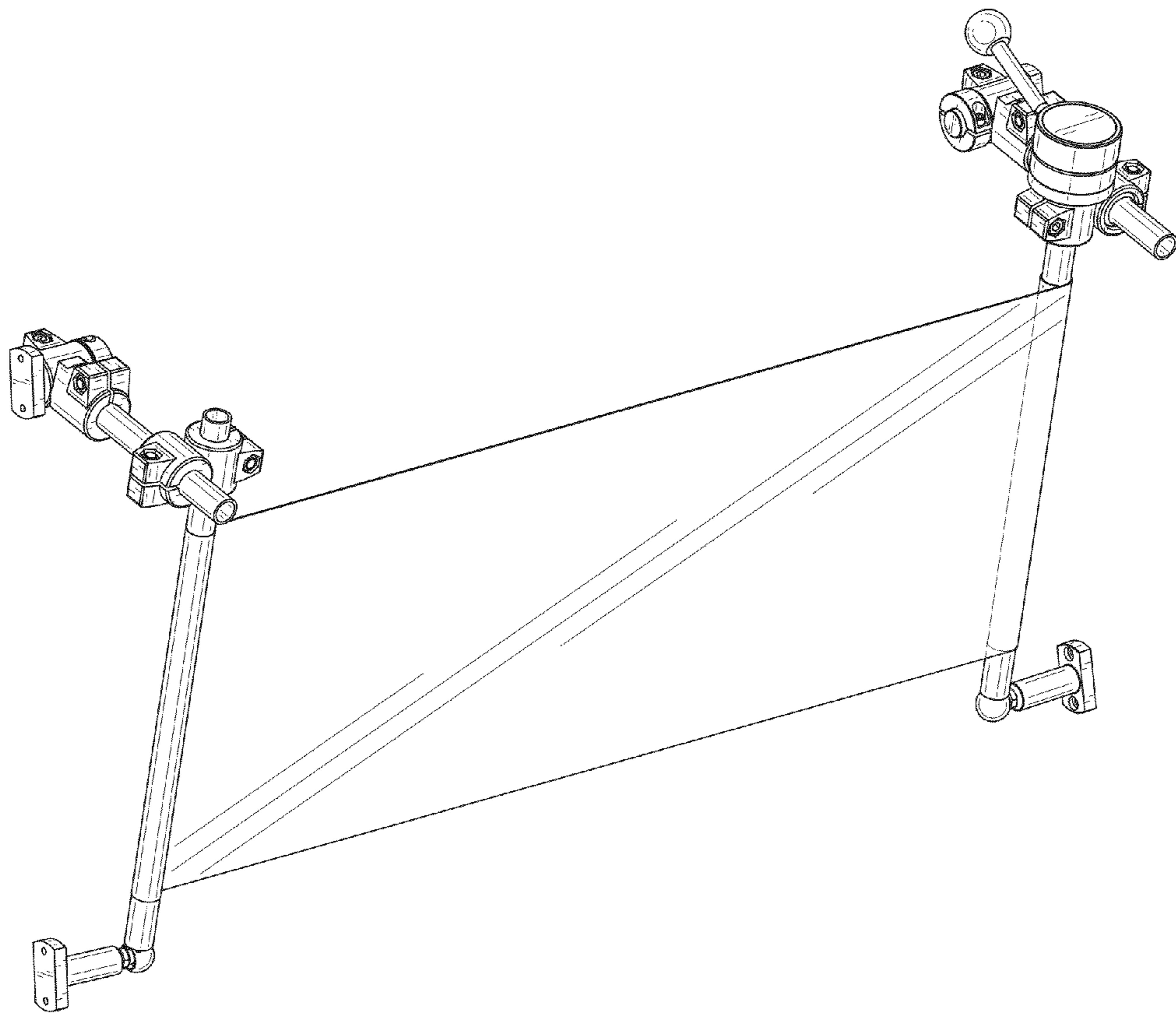


FIG. 1

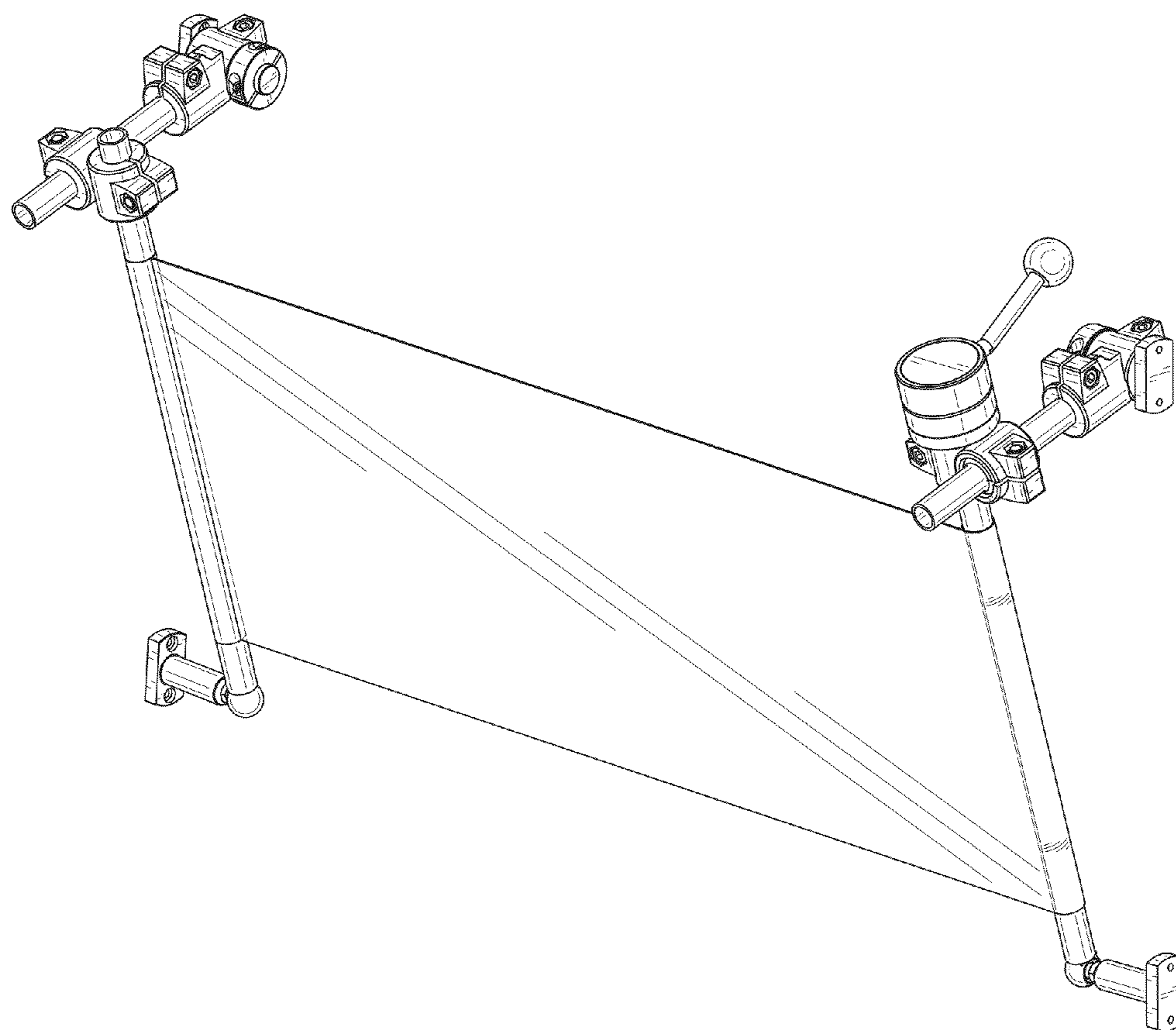


FIG. 2