



US00D727827S

(12) **United States Design Patent**  
**Chung**

(10) **Patent No.:** **US D727,827 S**  
(45) **Date of Patent:** **\*\* Apr. 28, 2015**

- (54) **AUTOMOTIVE WHEEL**
- (71) Applicant: **Suny Chung**, Anaheim, CA (US)
- (72) Inventor: **Suny Chung**, Anaheim, CA (US)
- (\*\*) Term: **14 Years**
- (21) Appl. No.: **29/485,458**
- (22) Filed: **Mar. 19, 2014**
- (51) **LOC (10) Cl.** ..... **12-16**
- (52) **U.S. Cl.**  
USPC ..... **D12/211**
- (58) **Field of Classification Search**  
CPC ..... B60B 7/00; B60B 7/02; B60B 7/04;  
B60B 7/01; B60B 7/06; B60B 3/02; B60B  
3/04; B60B 3/06; B60B 3/10; B60B 1/00;  
B60B 1/08; B60B 1/10; B60B 1/12  
USPC ..... D12/204–213  
See application file for complete search history.

(56) **References Cited**

**U.S. PATENT DOCUMENTS**

- D348,243 S \* 6/1994 Echazabal et al. .... D12/211
- D350,932 S \* 9/1994 Echazabel et al. .... D12/211

- D395,270 S \* 6/1998 Baumgartner et al. .... D12/211
- D398,898 S \* 9/1998 Baumgartner et al. .... D12/211
- D405,409 S \* 2/1999 Baumgartner ..... D12/211
- D406,092 S \* 2/1999 Baumgartner ..... D12/211
- D410,426 S \* 6/1999 Frizzi ..... D12/211
- D419,948 S \* 2/2000 Cahyono ..... D12/211
- D430,526 S \* 9/2000 Fitzgerald ..... D12/211
- D527,327 S \* 8/2006 Laengerer ..... D12/211
- D532,355 S \* 11/2006 Baumgartner ..... D12/211
- D553,069 S \* 10/2007 Ettensberger ..... D12/211
- D595,632 S \* 7/2009 Hernandez ..... D12/211

\* cited by examiner

*Primary Examiner* — Stacia Cadmus

(57) **CLAIM**

The ornamental design for an automotive wheel, as shown and described.

**DESCRIPTION**

FIG. 1 is a perspective view of an automotive wheel, showing my new design; and,

FIG. 2 is a front view thereof.

The broken line showing of the rear portion of the wheel is included for the purpose of illustrating environment and forms no part of the claimed design.

**1 Claim, 2 Drawing Sheets**

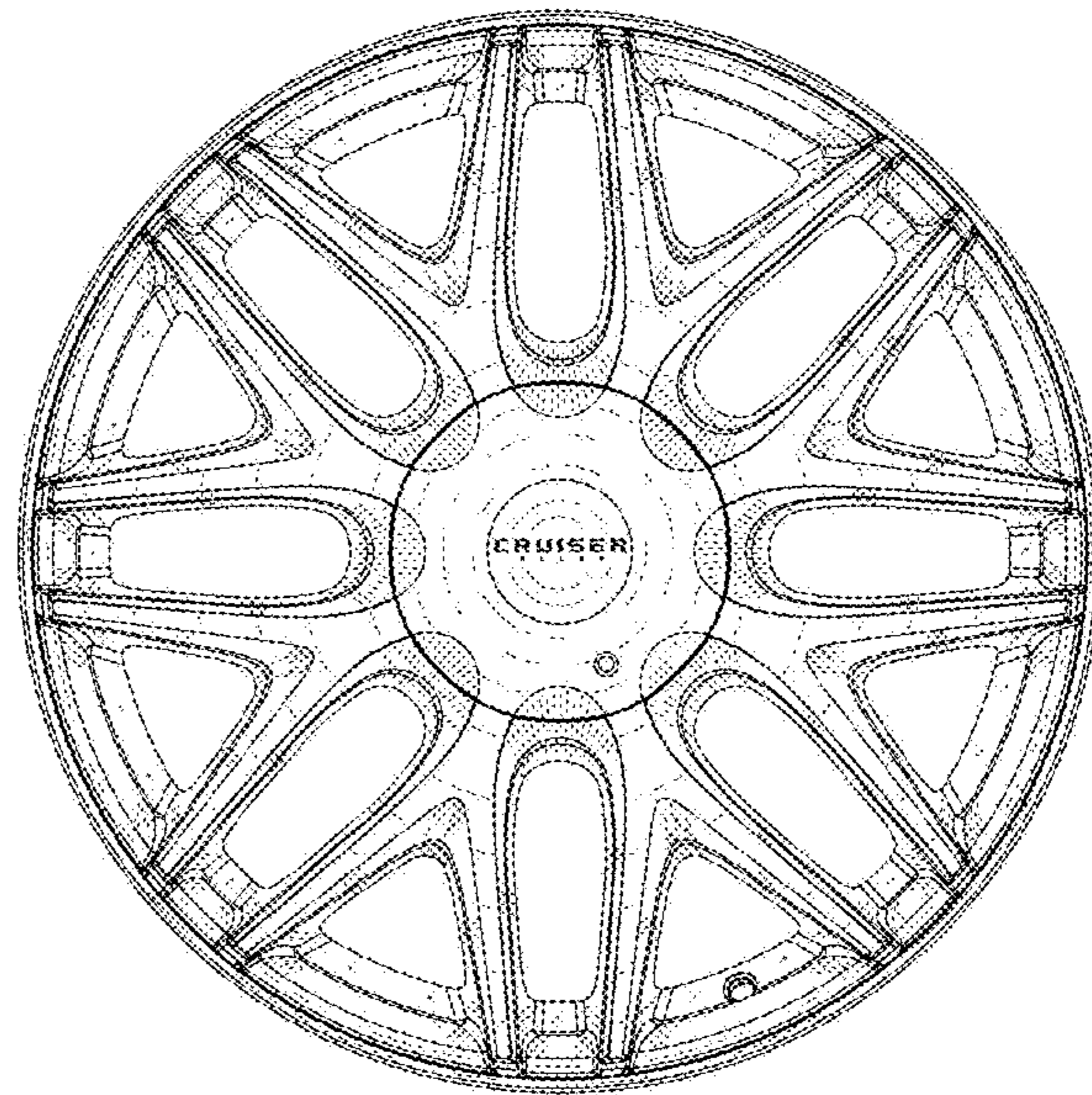
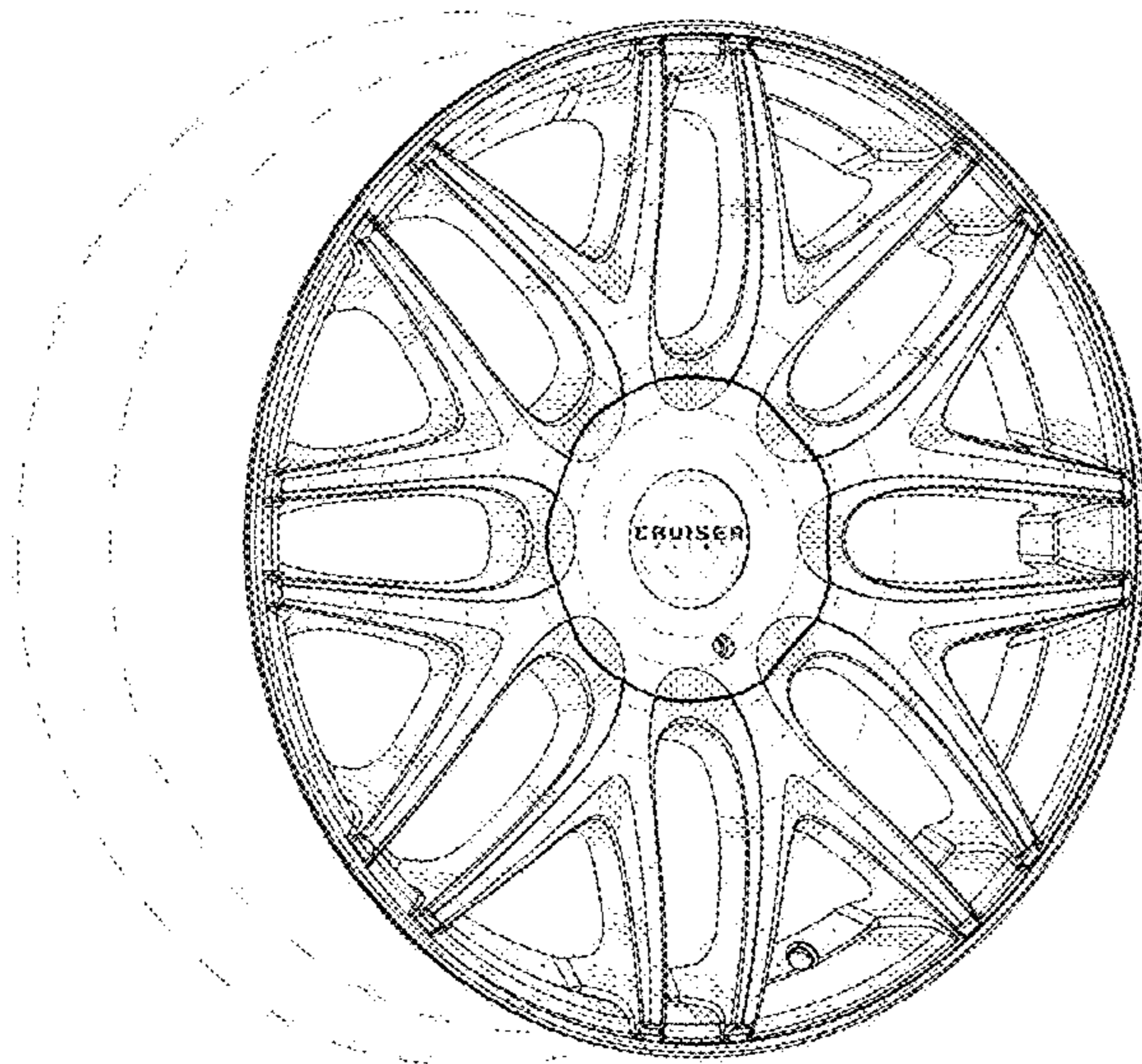




FIGURE 1

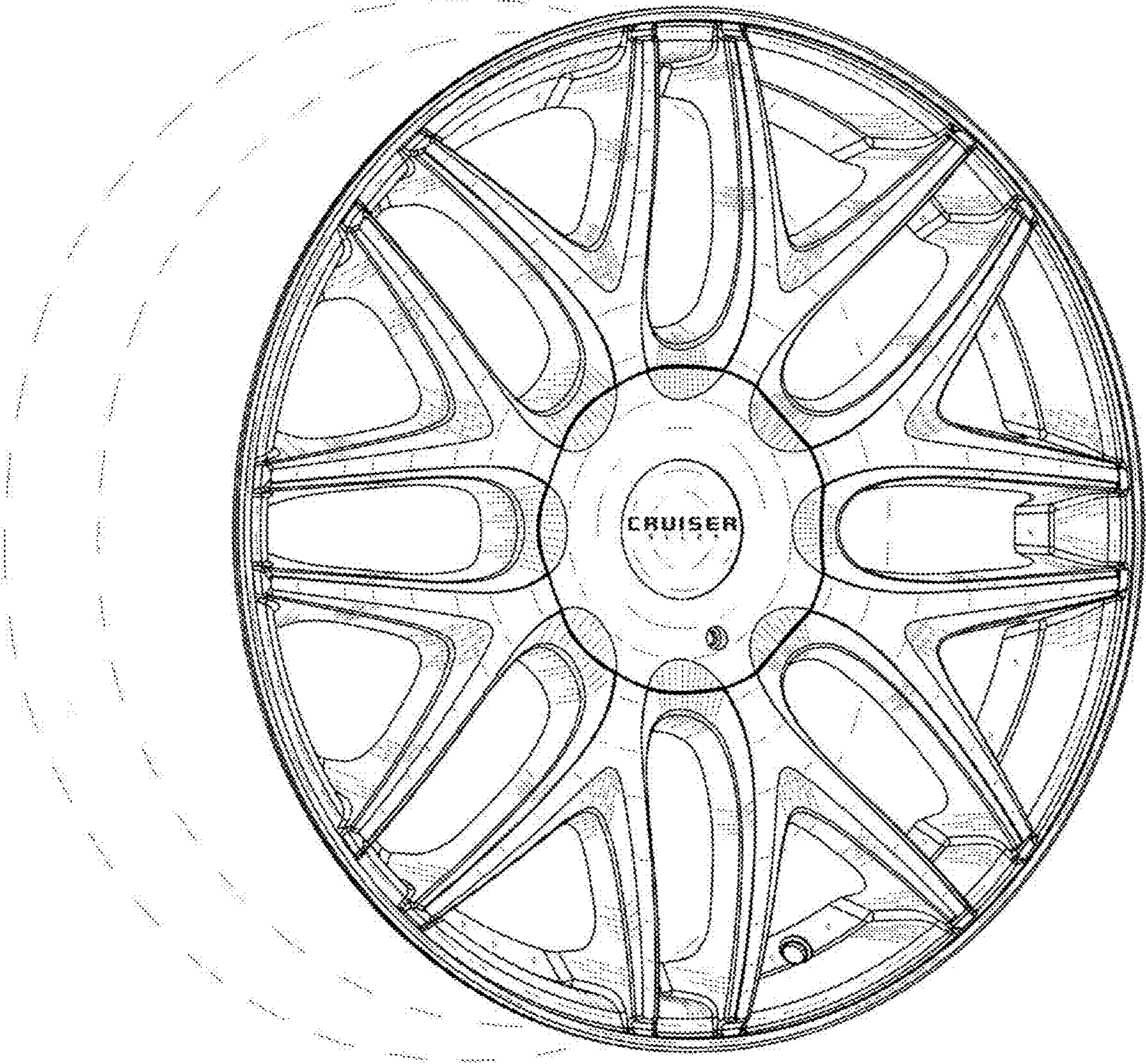




FIGURE 2

