



US00D727826S

(12) **United States Design Patent**
Chung

(10) **Patent No.:** **US D727,826 S**
(45) **Date of Patent:** **** Apr. 28, 2015**

- (54) **AUTOMOTIVE WHEEL**
- (71) Applicant: **Suny Chung**, Anaheim, CA (US)
- (72) Inventor: **Suny Chung**, Anaheim, CA (US)
- (**) Term: **14 Years**
- (21) Appl. No.: **29/485,373**
- (22) Filed: **Mar. 18, 2014**
- (51) **LOC (10) Cl.** **12-16**
- (52) **U.S. Cl.**
USPC **D12/211**
- (58) **Field of Classification Search**
CPC B60B 7/00; B60B 7/02; B60B 7/04;
B60B 7/01; B60B 7/06; B60B 3/02; B60B
3/04; B60B 3/06; B60B 3/10; B60B 1/00;
B60B 1/08; B60B 1/10; B60B 1/12
USPC D12/204-213
See application file for complete search history.

(56) **References Cited**

U.S. PATENT DOCUMENTS

- D585,804 S * 2/2009 Pfeiffer D12/209
- D619,073 S * 7/2010 Groom D12/211

- D635,906 S * 4/2011 Futschik et al. D12/211
- D652,363 S * 1/2012 Chung D12/211
- D659,071 S * 5/2012 Hale, Jr. D12/211
- D676,795 S * 2/2013 Wachter D12/211
- D685,711 S * 7/2013 Hale, Jr. D12/211
- D690,643 S * 10/2013 Kern D12/211
- D697,860 S * 1/2014 Borkert D12/211
- D703,602 S * 4/2014 Kern D12/211
- D706,199 S * 6/2014 Chung D12/211

* cited by examiner

Primary Examiner — Stacia Cadmus

(57) **CLAIM**

The ornamental design for an automotive wheel, as shown and described.

DESCRIPTION

FIG. 1 is a perspective view of an automotive wheel, showing my new design; and, FIG. 2 is a front view thereof. The broken line showing of the rear portion of the wheel is included for the purpose of illustrating environment and forms no part of the claimed design.

1 Claim, 2 Drawing Sheets

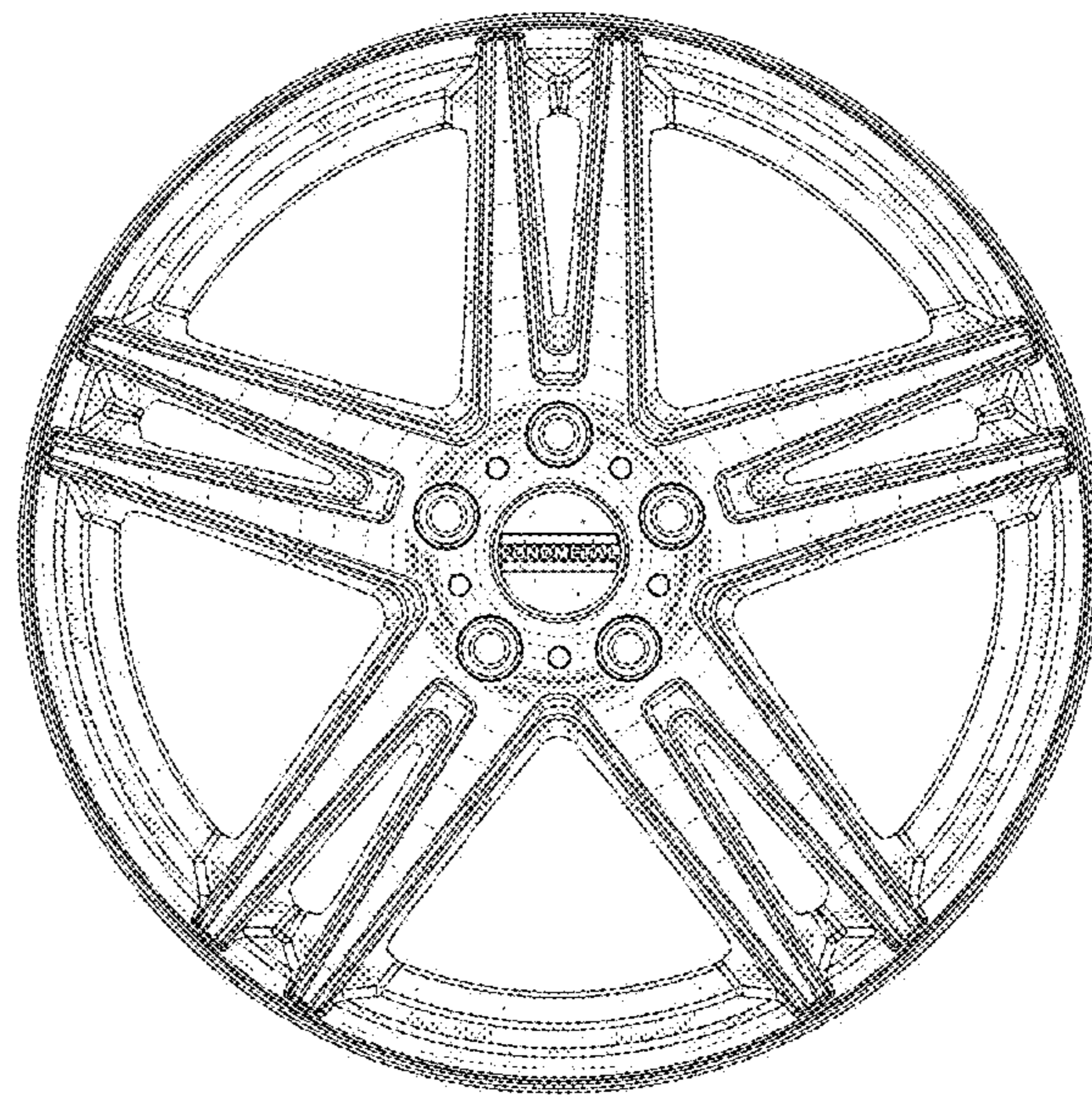
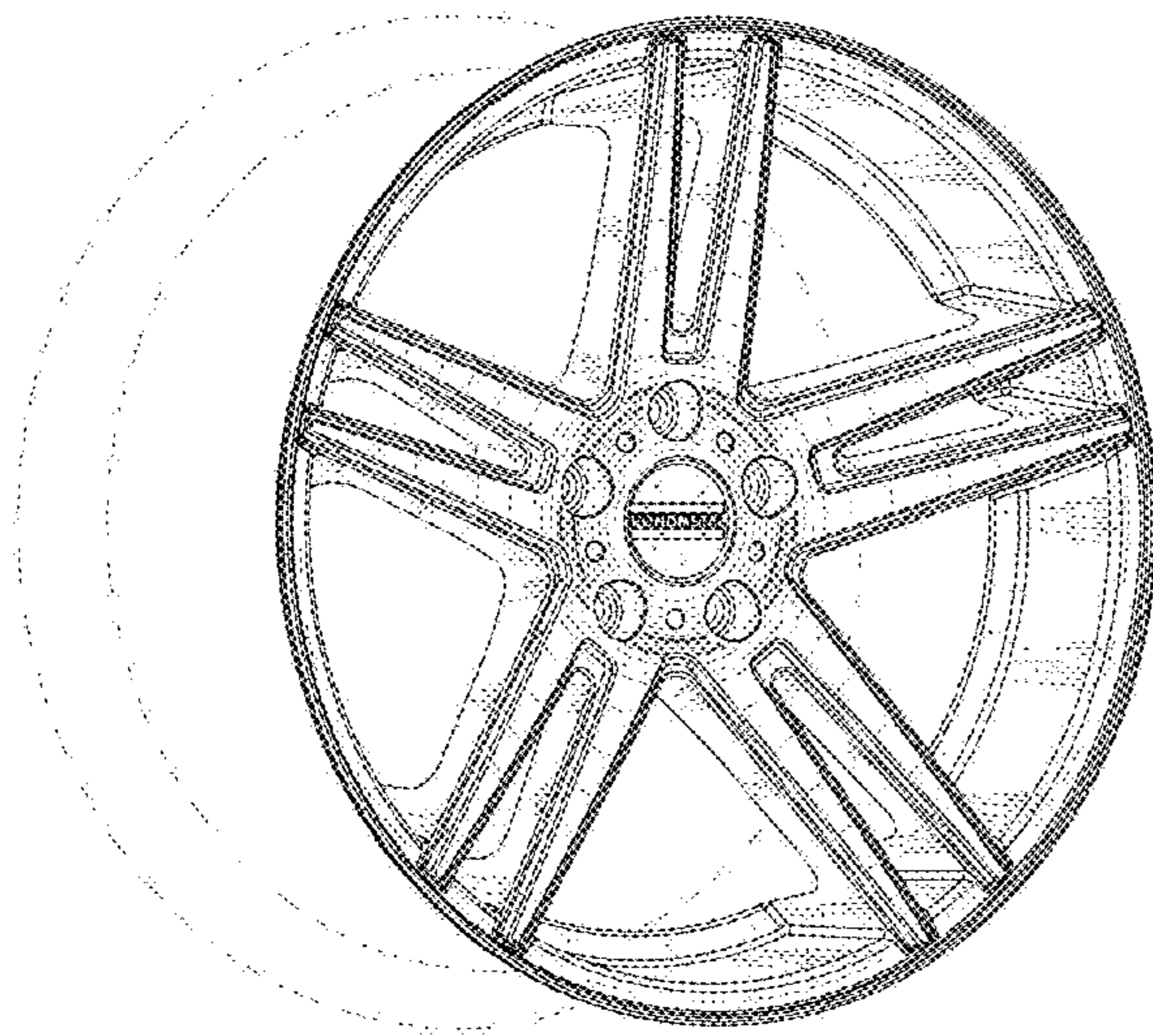


FIGURE 1

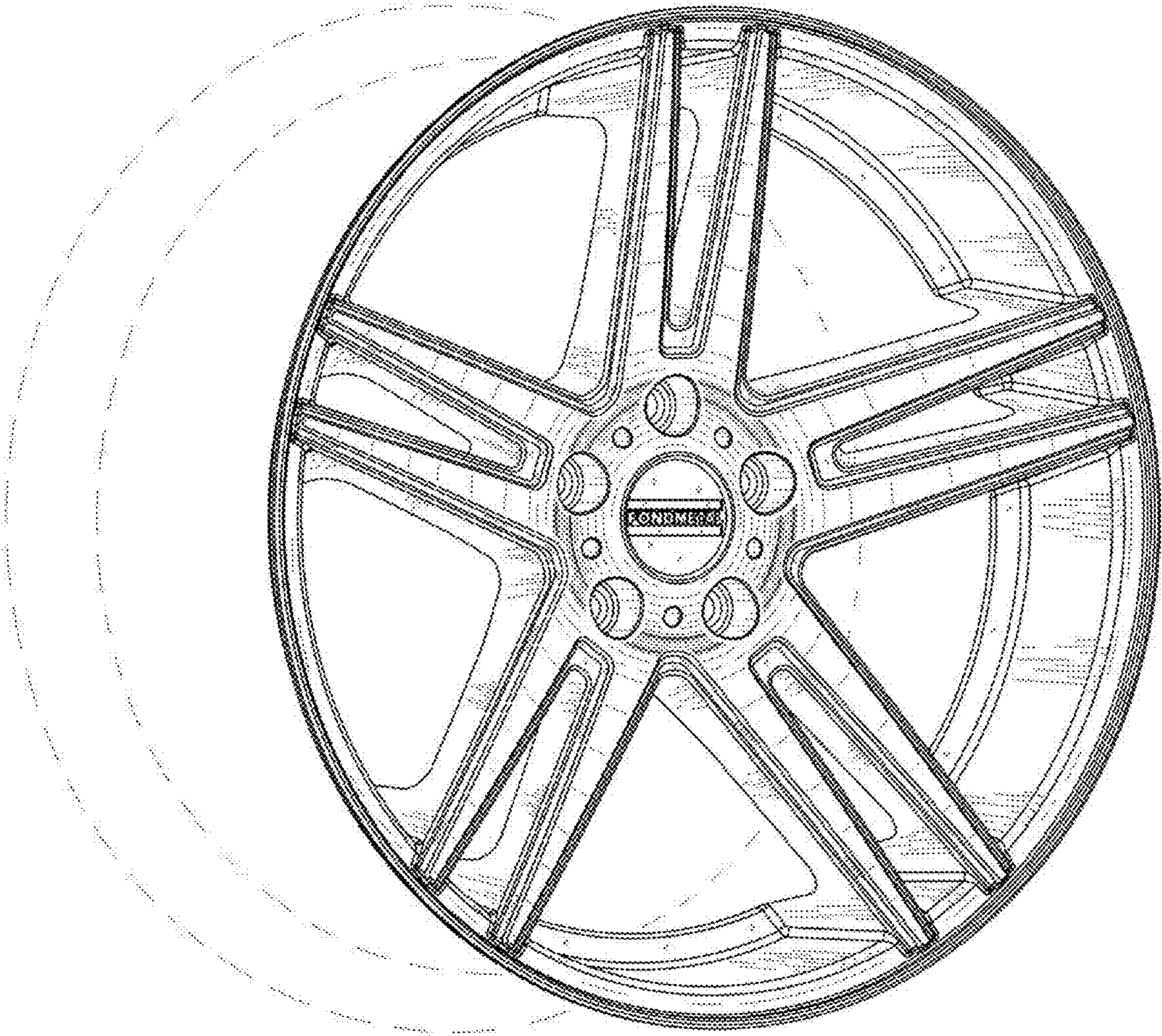


FIGURE 2

