



US00D727825S

(12) **United States Design Patent**
Chung

(10) **Patent No.:** **US D727,825 S**

(45) **Date of Patent:** **** Apr. 28, 2015**

(54) **AUTOMOTIVE WHEEL**

(71) Applicant: **Suny Chung**, Brea, CA (US)

(72) Inventor: **Suny Chung**, Brea, CA (US)

(**) Term: **14 Years**

(21) Appl. No.: **29/442,693**

(22) Filed: **Apr. 22, 2013**

(51) **LOC (10) Cl.** **12-16**

(52) **U.S. Cl.**
USPC **D12/211**

(58) **Field of Classification Search**
USPC D12/204-213; 301/37.101, 64.101, 65,
301/64.201

See application file for complete search history.

(56) **References Cited**

U.S. PATENT DOCUMENTS

D337,563 S *	7/1993	Boselli	D12/209
D396,208 S *	7/1998	Baumgartner et al.	D12/211
D418,473 S *	1/2000	Chung	D12/211
D450,030 S *	11/2001	Pfeiffer	D12/211

D471,503 S *	3/2003	Baumgartner	D12/211
D484,446 S *	12/2003	Pfeiffer et al.	D12/211
D500,003 S *	12/2004	Guevara	D12/211
D507,775 S *	7/2005	Pfeiffer	D12/211
D536,655 S *	2/2007	Kim	D12/211
D573,082 S *	7/2008	Young	D12/211
D587,179 S *	2/2009	Pfeiffer	D12/209
D604,683 S *	11/2009	Hosai	D12/209
D671,062 S *	11/2012	Dilber et al.	D12/211
D697,015 S *	1/2014	Nemeth	D12/211

* cited by examiner

Primary Examiner — Stacia Cadmus

(57) **CLAIM**

The ornamental design for an automotive wheel, as shown and described.

DESCRIPTION

FIG. 1 is a perspective view of an automotive wheel, showing my new design; and, FIG. 2 is a front view thereof.

The broken line showing of the rear portion of the wheel is included for the purpose of illustrating environment and forms no part of the claimed design.

1 Claim, 2 Drawing Sheets

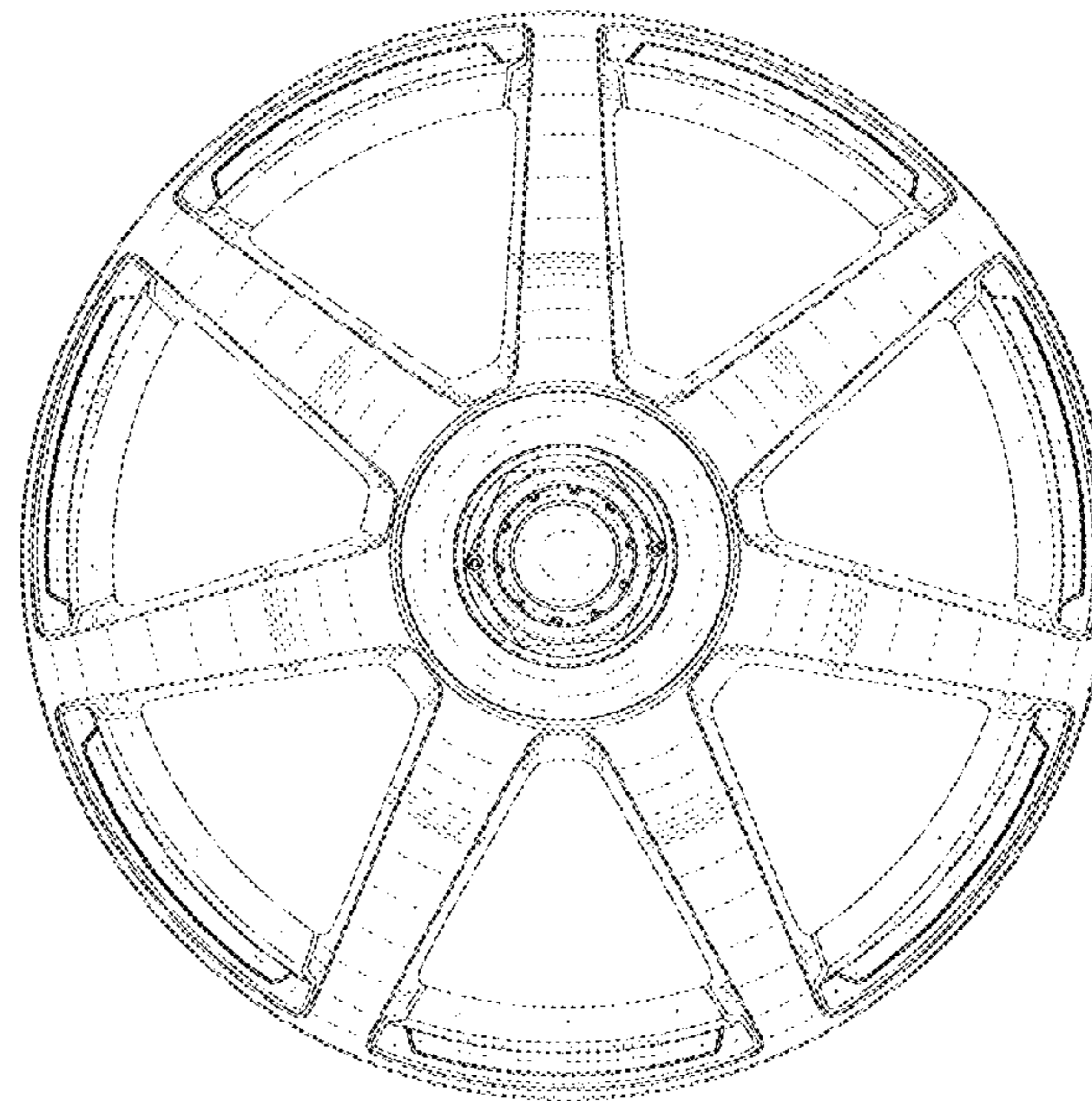
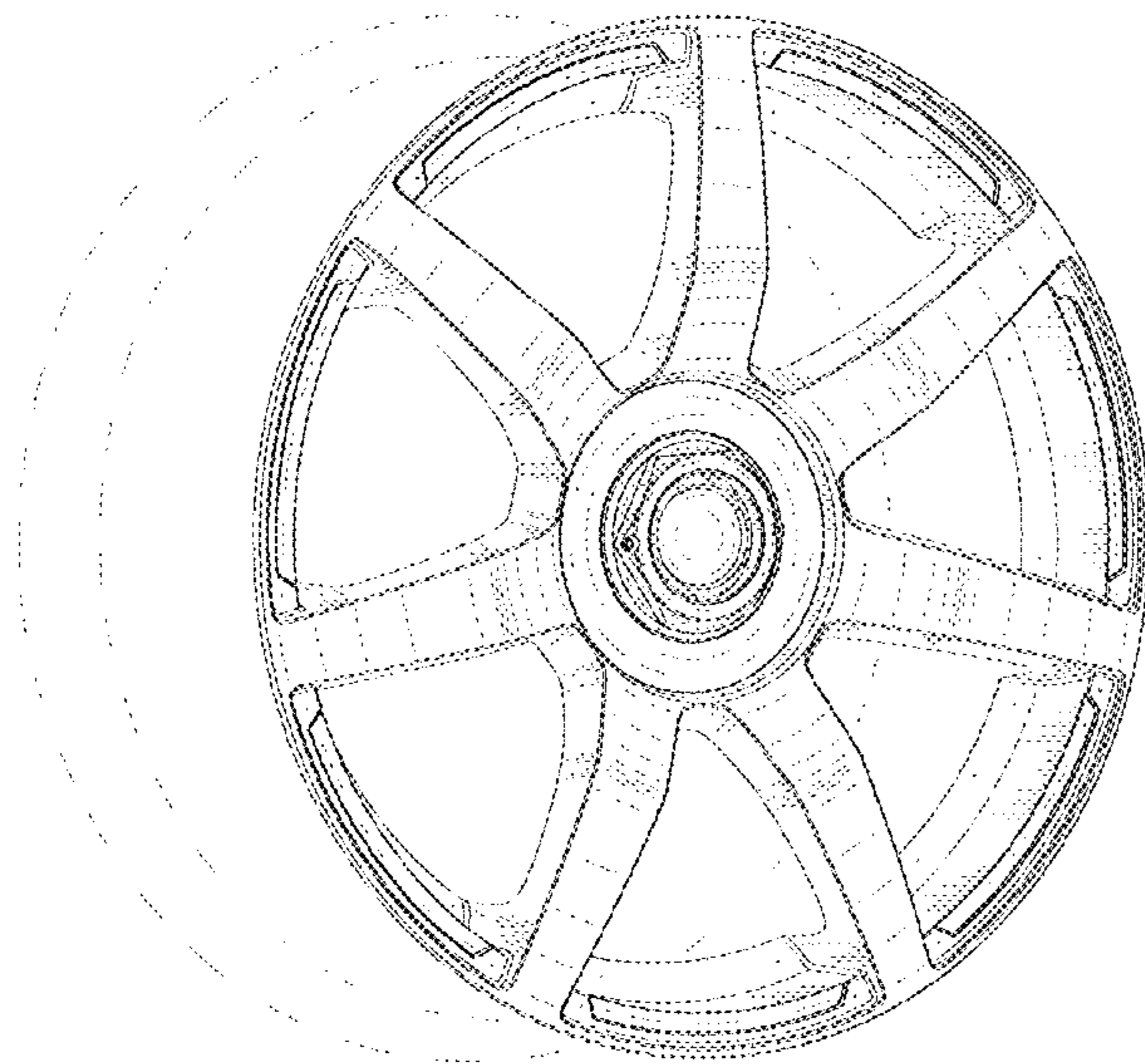


FIGURE 1

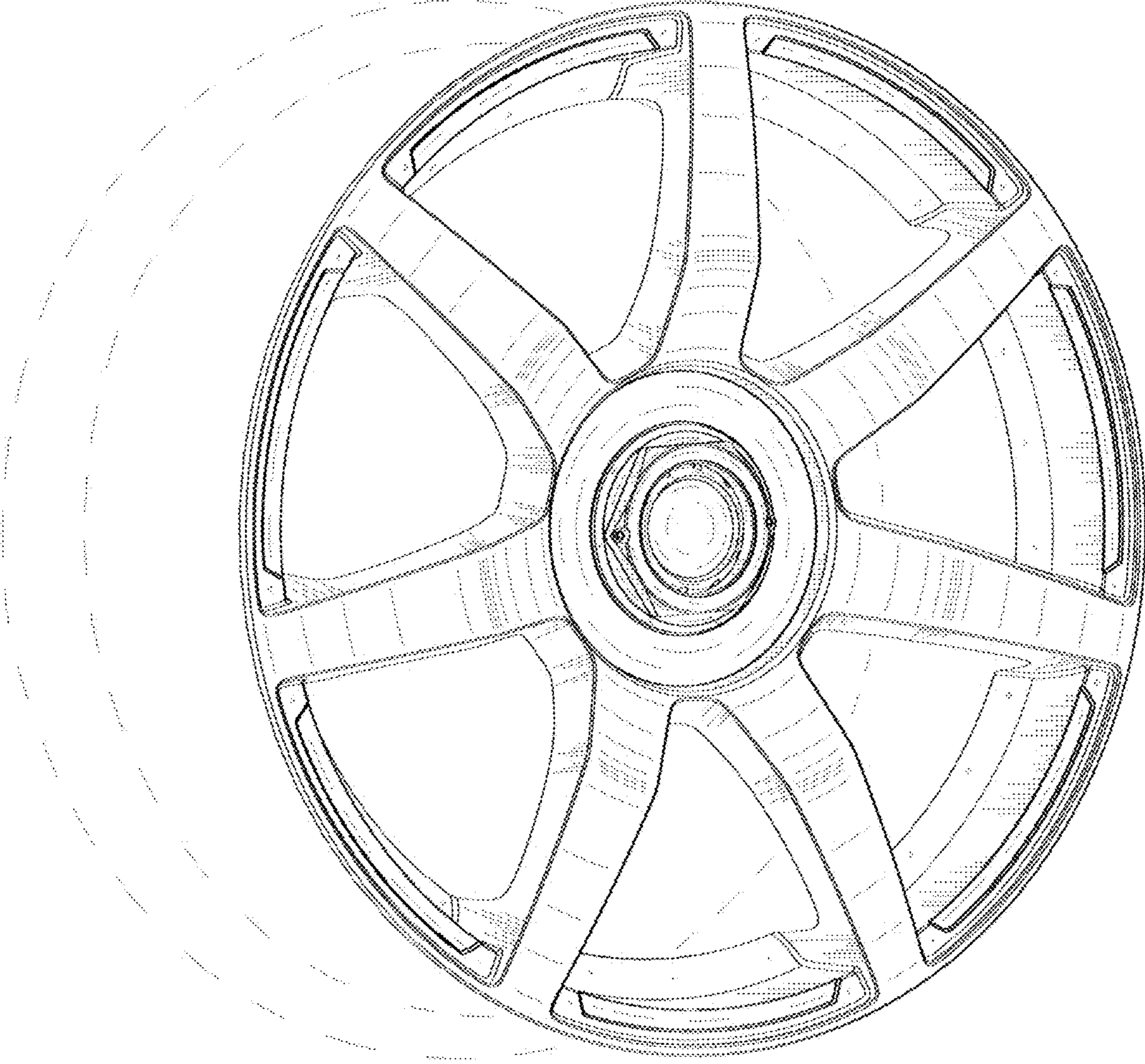


FIGURE 2

