



US00D727824S

(12) **United States Design Patent**  
**Garbas**

(10) **Patent No.:** **US D727,824 S**

(45) **Date of Patent:** **\*\* Apr. 28, 2015**

(54) **VEHICLE WHEEL**

(71) Applicant: **Bayerische Motoren Werke  
Aktiengesellschaft, Munich (DE)**

(72) Inventor: **Benjamin Garbas, Munich (DE)**

(73) Assignee: **Bayerische Motoren Werke  
Aktiengesellschaft, Munich (DE)**

(\*\*) Term: **14 Years**

(21) Appl. No.: **29/497,496**

(22) Filed: **Jul. 25, 2014**

(30) **Foreign Application Priority Data**

Jan. 28, 2014 (DE) ..... 40 2014 100 066

(51) **LOC (10) Cl.** ..... **12-16**

(52) **U.S. Cl.**  
USPC ..... **D12/209**

(58) **Field of Classification Search**  
CPC ..... B60B 7/00; B60B 7/02; B60B 7/04;  
B60B 7/01; B60B 7/06; B60B 3/02; B60B  
3/04; B60B 3/06; B60B 3/10; B60B 1/00;  
B60B 1/08; B60B 1/10; B60B 1/12  
USPC ..... D12/204-213  
See application file for complete search history.

(56) **References Cited**

**U.S. PATENT DOCUMENTS**

D509,467 S	9/2005	Gabath	
D539,204 S	3/2007	Pollmann	
D583,742 S	* 12/2008	Juergens et al.	D12/211
D612,787 S	* 3/2010	Juergens et al.	D12/209
D628,136 S	* 11/2010	Leclercq	D12/211
D635,499 S	* 4/2011	Nissl	D12/211
D639,224 S	* 6/2011	Szews	D12/211
D639,227 S	* 6/2011	Leclercq	D12/211
D659,628 S	* 5/2012	Pollmann	D12/211

D663,669 S	* 7/2012	Baum	D12/209
D666,952 S	9/2012	Pollmann	
D666,953 S	* 9/2012	Pollmann	D12/209
D667,769 S	* 9/2012	Pollmann	D12/209
D670,636 S	* 11/2012	Juergens et al.	D12/211
D671,480 S	* 11/2012	Cepkova	D12/209
D671,481 S	* 11/2012	Amezketta	D12/211
D673,493 S	* 1/2013	Lemke	D12/209
D675,144 S	1/2013	Mueller-Stolz	
D683,297 S	* 5/2013	Juergens et al.	D12/211
D695,670 S	* 12/2013	De Bono	D12/209
D696,176 S	* 12/2013	Rojas	D12/209
D697,011 S	* 1/2014	Kang	D12/209
D697,016 S	* 1/2014	Gonser	D12/211
D704,119 S	* 5/2014	Platto et al.	D12/209
D710,287 S	* 8/2014	Ishii	D12/209

**FOREIGN PATENT DOCUMENTS**

EM	000226436-0006	11/2004
EM	000440813-0002	1/2006
EM	001804709-0001	11/2011

(Continued)

*Primary Examiner* — Stacia Cadmus

(74) *Attorney, Agent, or Firm* — Crowell & Moring LLP

(57) **CLAIM**

The ornamental design for a vehicle wheel, as shown and described.

**DESCRIPTION**

FIG. 1 is a perspective view of a vehicle wheel according to the design;

FIG. 2 is an additional perspective view thereof;

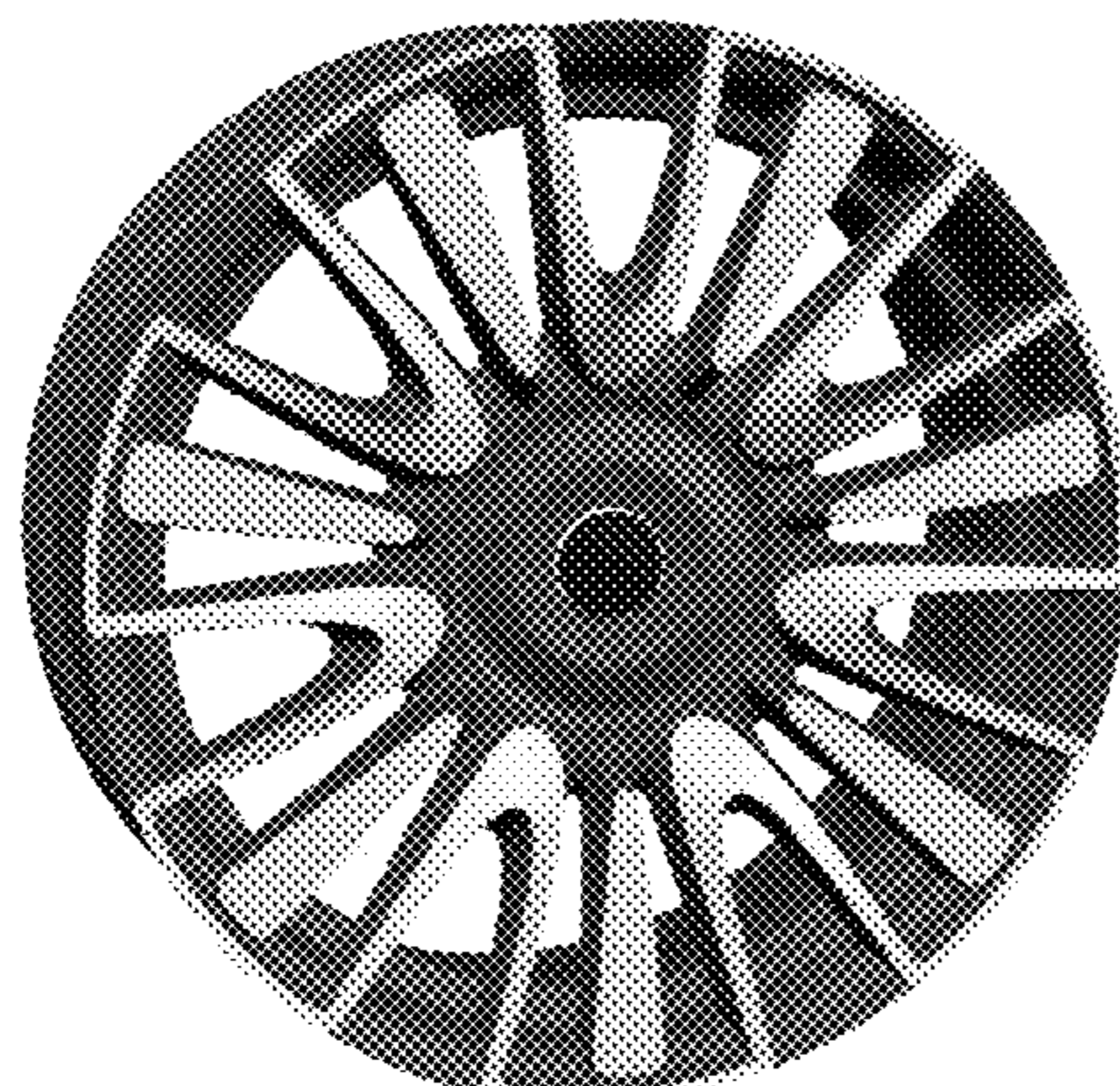
FIG. 3 is an additional perspective view thereof;

FIG. 4 is a front view thereof;

FIG. 5 is a rear view thereof in a lighter gray scale, representing environmental features that form no part of the claimed design; and,

FIG. 6 is a side view thereof.

**1 Claim, 6 Drawing Sheets**



(56)

**References Cited**

FOREIGN PATENT DOCUMENTS

EM 002050765-0001 3/2013  
EM 001908807-0010 9/2013

EM 001772922-0009 8/2012

\* cited by examiner





Fig. 1





Fig. 2





Fig. 3



Fig. 4



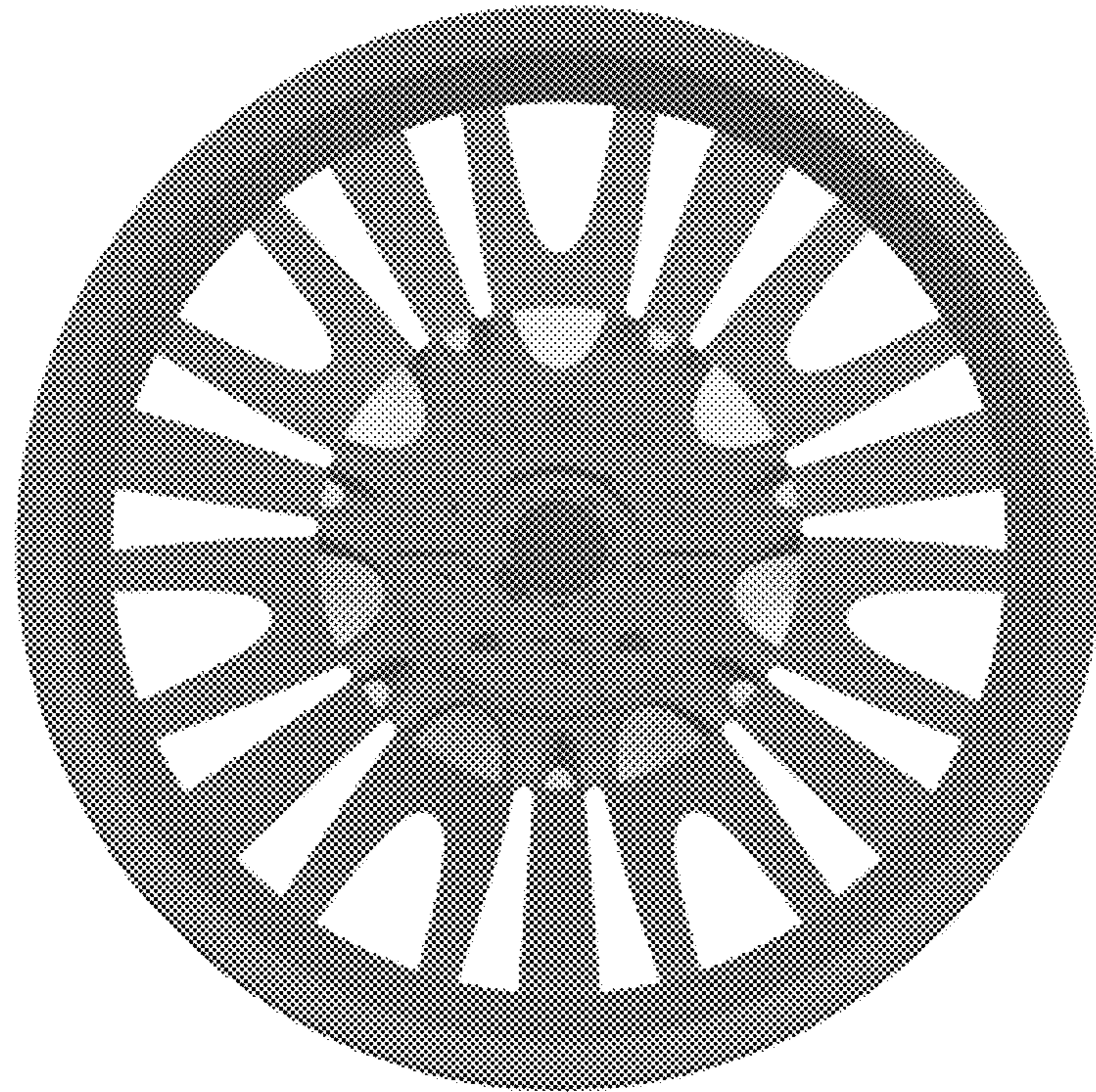


Fig. 5

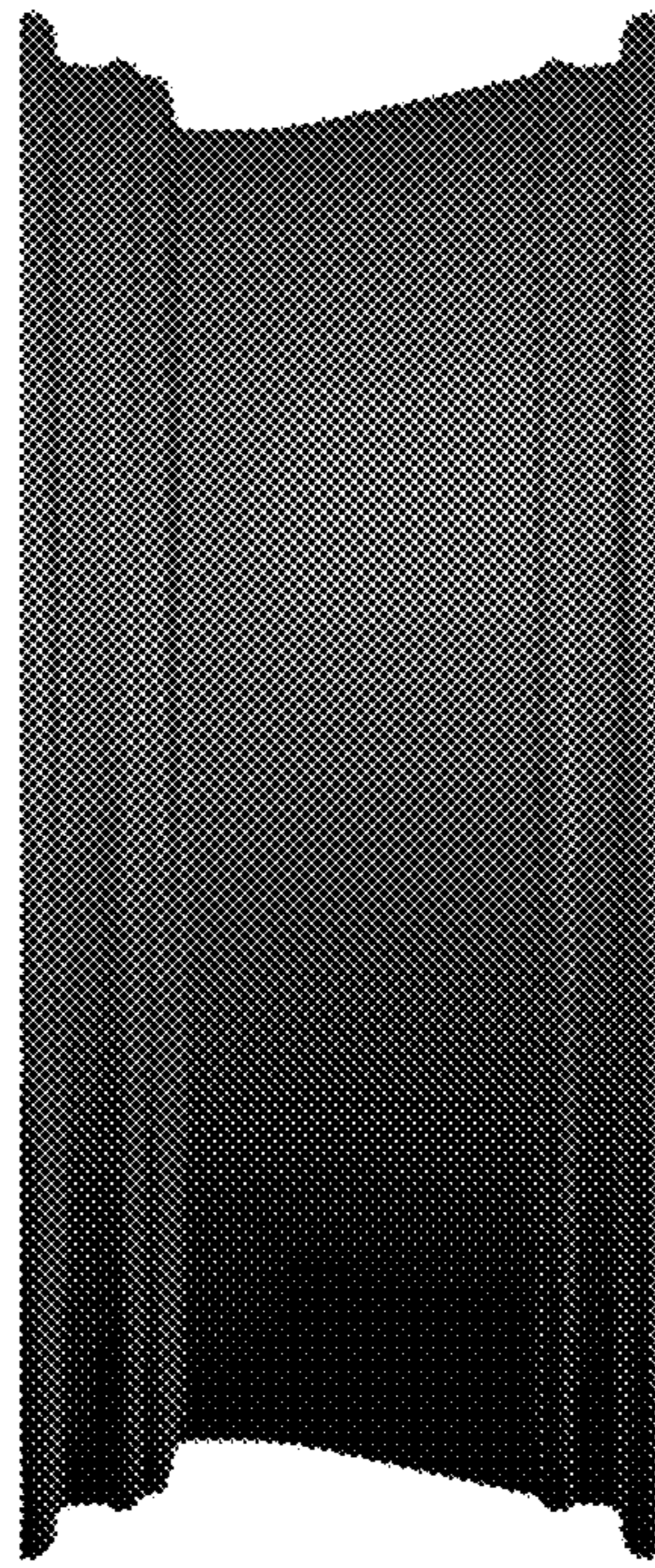


Fig. 6