



US00D727821S

(12) **United States Design Patent**  
**Vena et al.**

(10) **Patent No.:** **US D727,821 S**  
(45) **Date of Patent:** **\*\* Apr. 28, 2015**

(54) **WHEEL OR WHEEL COVER**

(71) Applicant: **Daimler AG**, Stuttgart (DE)

(72) Inventors: **Donald Vena**, Vancouver, WA (US);  
**Paul Shead**, Beaverton, OR (US)

(73) Assignee: **Daimler AG**, Stuttgart (DE)

(\*\*) Term: **14 Years**

(21) Appl. No.: **29/510,241**

(22) Filed: **Nov. 26, 2014**

(30) **Foreign Application Priority Data**

May 27, 2014 (EM) ..... 002470930-0002

(51) **LOC (10) Cl.** ..... **12-16**

(52) **U.S. Cl.**  
USPC ..... **D12/204**

(58) **Field of Classification Search**

CPC ..... B60B 7/00; B60B 7/02; B60B 7/04;  
B60B 7/01; B60B 7/06; B60B 3/02; B60B  
3/04; B60B 3/06; B60B 3/10; B60B 1/00;  
B60B 1/08; B60B 1/10; B60B 1/12

USPC ..... D12/204-213

See application file for complete search history.

(56) **References Cited**

U.S. PATENT DOCUMENTS

D221,833	S	*	9/1971	Haydock	.....	D12/204
D256,452	S	*	8/1980	Wolff	.....	D12/204
D278,527	S	*	4/1985	Giugiaro	.....	D12/204
D301,865	S	*	6/1989	McIntosh	.....	D12/209
D442,903	S	*	5/2001	Brintouch	.....	D12/204
D539,203	S	*	3/2007	Danbom et al.	.....	D12/204
D542,723	S	*	5/2007	Bruntz et al.	.....	D12/204
D567,730	S	*	4/2008	Polka	.....	D12/204
D673,090	S	*	12/2012	Lemke	.....	D12/204

OTHER PUBLICATIONS

“Transformers 4’: Meet the upgraded Optimus Prime, new Autobots,” Hero Complex, Los Angeles Times, May 30, 2013.  
“Western Star Introduces the All-New 5700XE,” Western Star Trucks Press Releases, Daimler Trucks North America, Sep. 11, 2014.

\* cited by examiner

*Primary Examiner* — Stacia Cadmus

(74) *Attorney, Agent, or Firm* — Crowell & Moring LLP

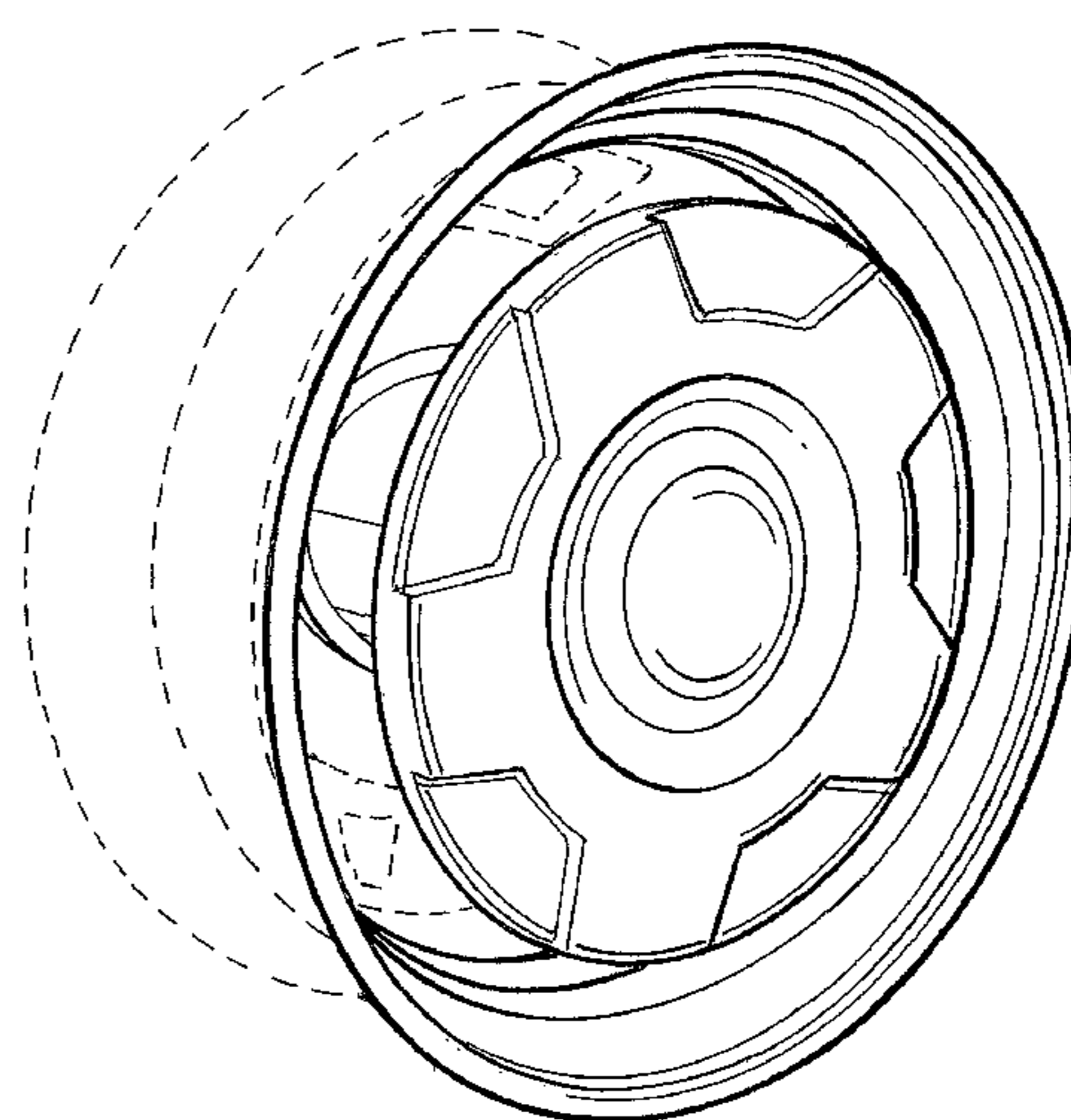
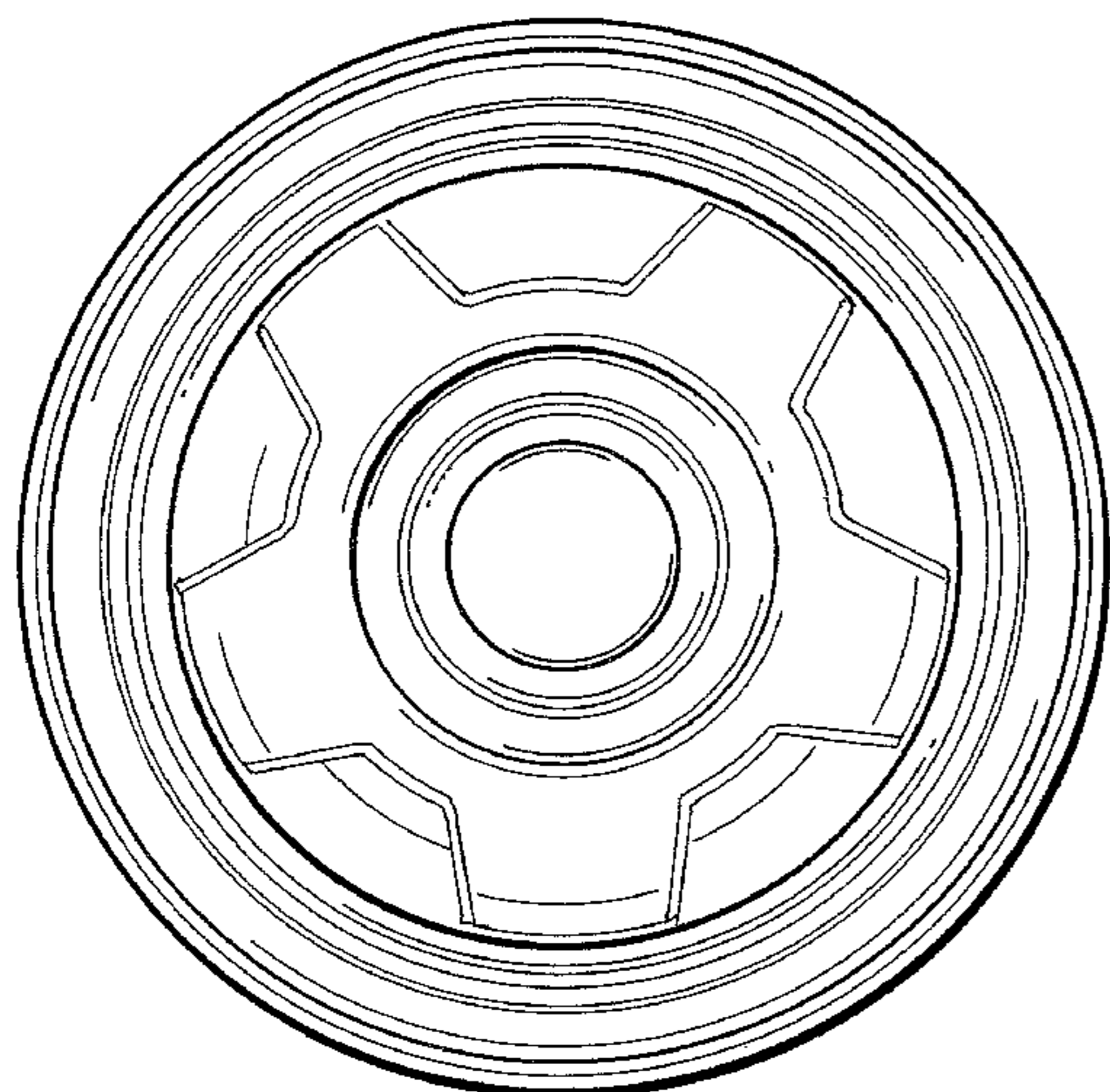
(57) **CLAIM**

The ornamental design for a wheel or wheel cover, as shown and described.

**DESCRIPTION**

FIG. 1 is a front view of a wheel or wheel cover according to the design; and,  
FIG. 2 is a perspective view thereof.  
The broken line showing of the rear of the wheel is included for the purpose of illustrating environment and forms no part of the claimed design.

**1 Claim, 1 Drawing Sheet**



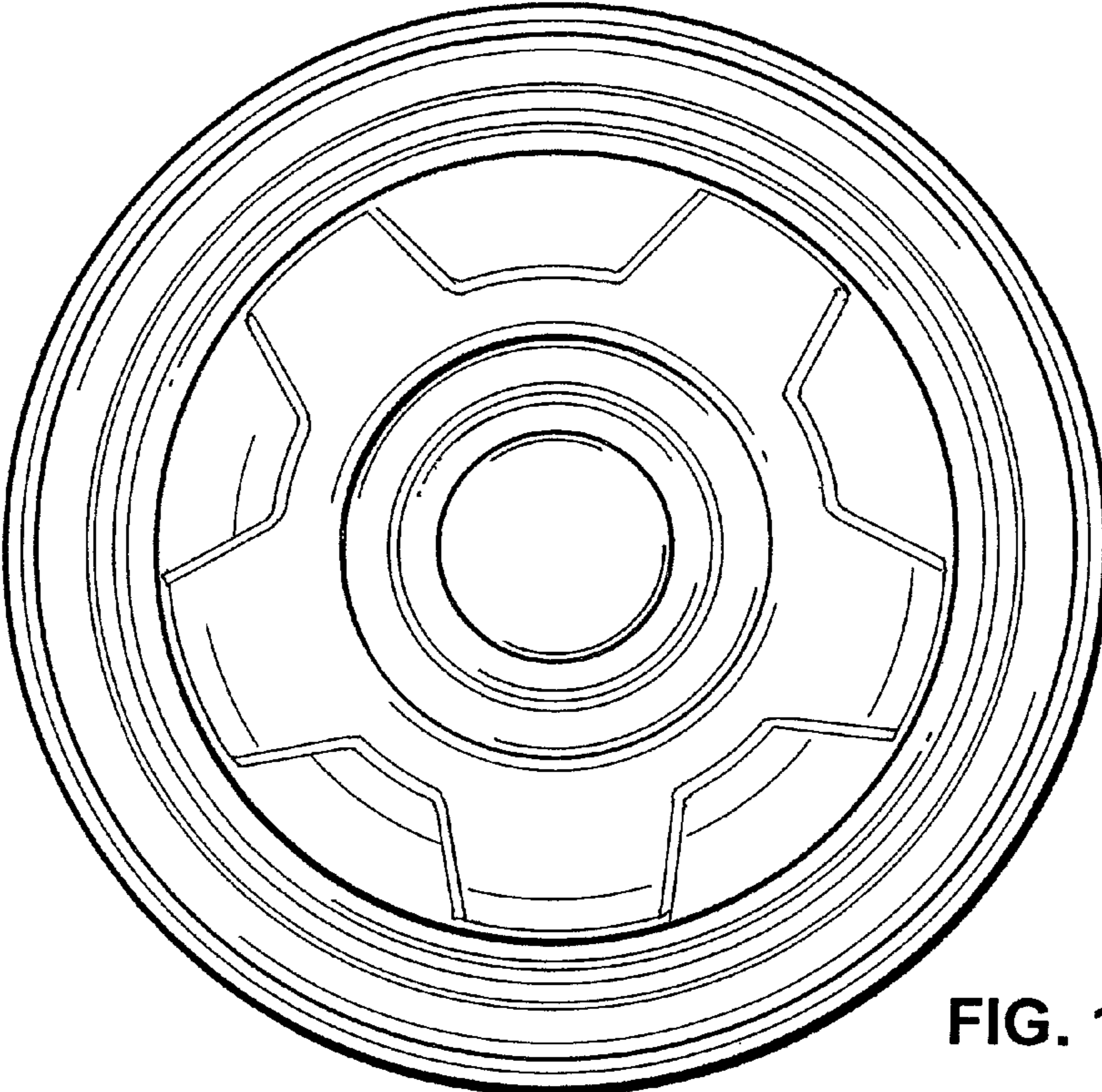


FIG. 1

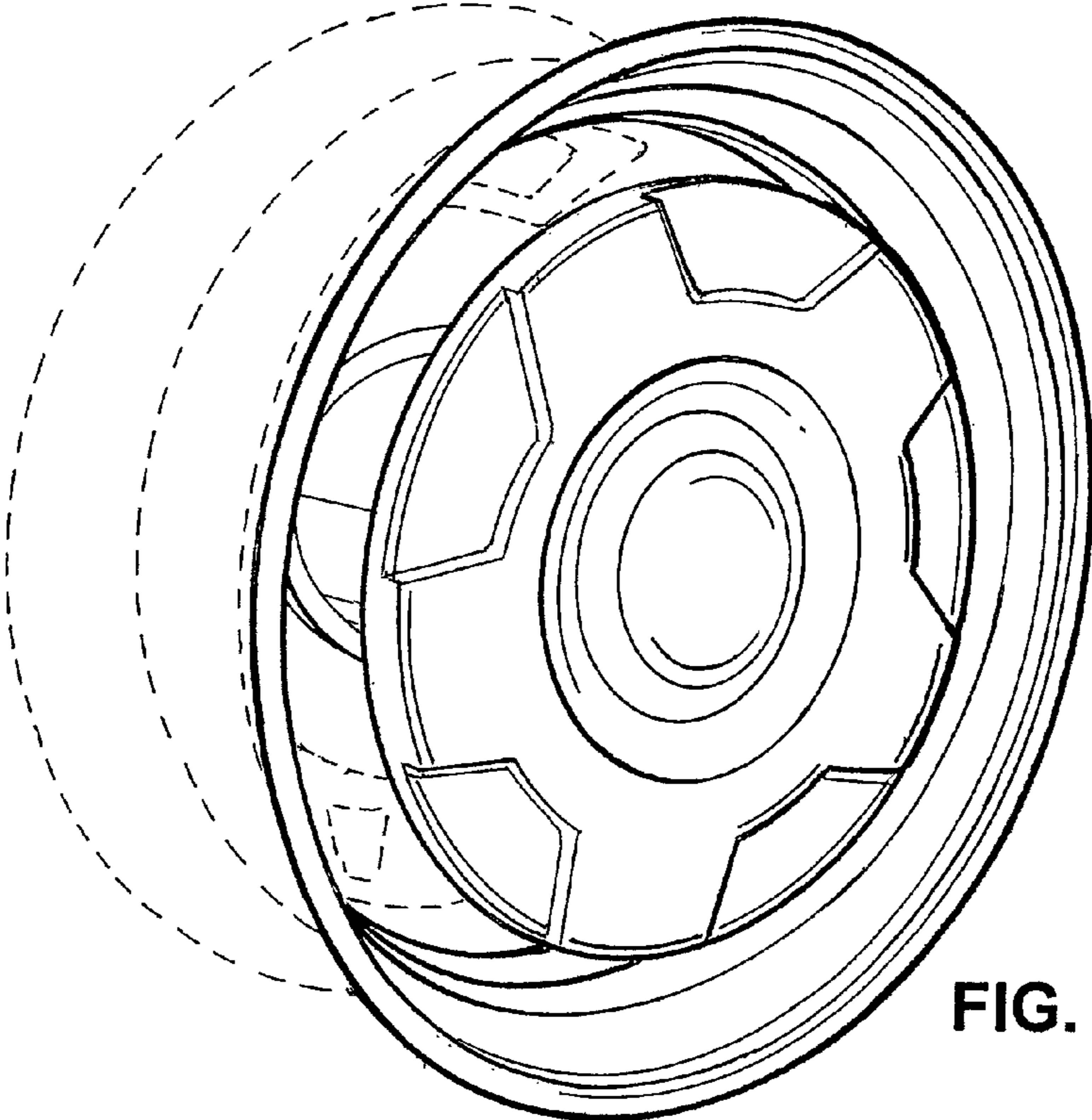


FIG. 2