



US00D727818S

(12) **United States Design Patent**
Spencer et al.

(10) **Patent No.:** **US D727,818 S**
(45) **Date of Patent:** **** Apr. 28, 2015**

(54) **LICENSE PLATE FRAME**

(71) Applicant: **Cruiser Accessories, LLC**, Monument, CO (US)

(72) Inventors: **Todd Spencer**, Monument, CO (US); **Eldon Goates**, Colorado Springs, CO (US); **Bret Zelenka**, Monument, CO (US); **Michael J. Schwartz**, Colorado Springs, CO (US)

(73) Assignee: **Cruiser Accessories, LLC**, Monument, CO (US)

(**) Term: **14 Years**

(21) Appl. No.: **29/485,176**

(22) Filed: **Mar. 17, 2014**

(51) **LOC (10) Cl.** **12-16**

(52) **U.S. Cl.**
USPC **D12/193**

(58) **Field of Classification Search**
USPC D12/193; D6/300, 301, 302, 304, 310, D6/311, 312, 313, 314; D20/13; 40/200, 40/201, 202, 203, 204, 207-214; 348/148, 348/373

See application file for complete search history.

(56) **References Cited**

U.S. PATENT DOCUMENTS

D365,077 S *	12/1995	Lee	D12/193
D366,236 S *	1/1996	Chu	D12/193
D411,975 S *	7/1999	Spencer	D12/193
D424,003 S *	5/2000	Steinhagen	D12/193
D428,843 S *	8/2000	Steinhagen	D12/193
D440,928 S *	4/2001	Hussaini et al.	D12/193
D531,558 S *	11/2006	Peng	D12/193
D566,025 S *	4/2008	Hu	D12/193
D576,531 S *	9/2008	Block et al.	D12/193
D593,917 S *	6/2009	Spencer et al.	D12/193

(Continued)

OTHER PUBLICATIONS

Cruiser Accessories 30936 Chrome/Black/Red Firefighter License Plate Frame with Fastener Caps. (Sep. 2014), [online], [site visited Dec. 3, 2014]. Available from internet, <URL: Retrieved from http://www.amazon.com/Cruiser-Accessories-30936-Firefighter-Fastener/dp/B00NIZXGSW>.*

Primary Examiner — Caron D Veynar

Assistant Examiner — Natasha Vujcic

(74) *Attorney, Agent, or Firm* — Linda Flewellen Gould

(57) **CLAIM**

The ornamental design for a license plate frame, as shown and described.

DESCRIPTION

FIG. 1 is a perspective front view showing our new design for a license plate frame.

FIG. 2 is a magnified view of a portion of the license plate frame shown in FIG. 1.

FIG. 3 is a front view of the license plate frame of the present invention.

FIG. 4 is a back view of the license plate frame of the present invention.

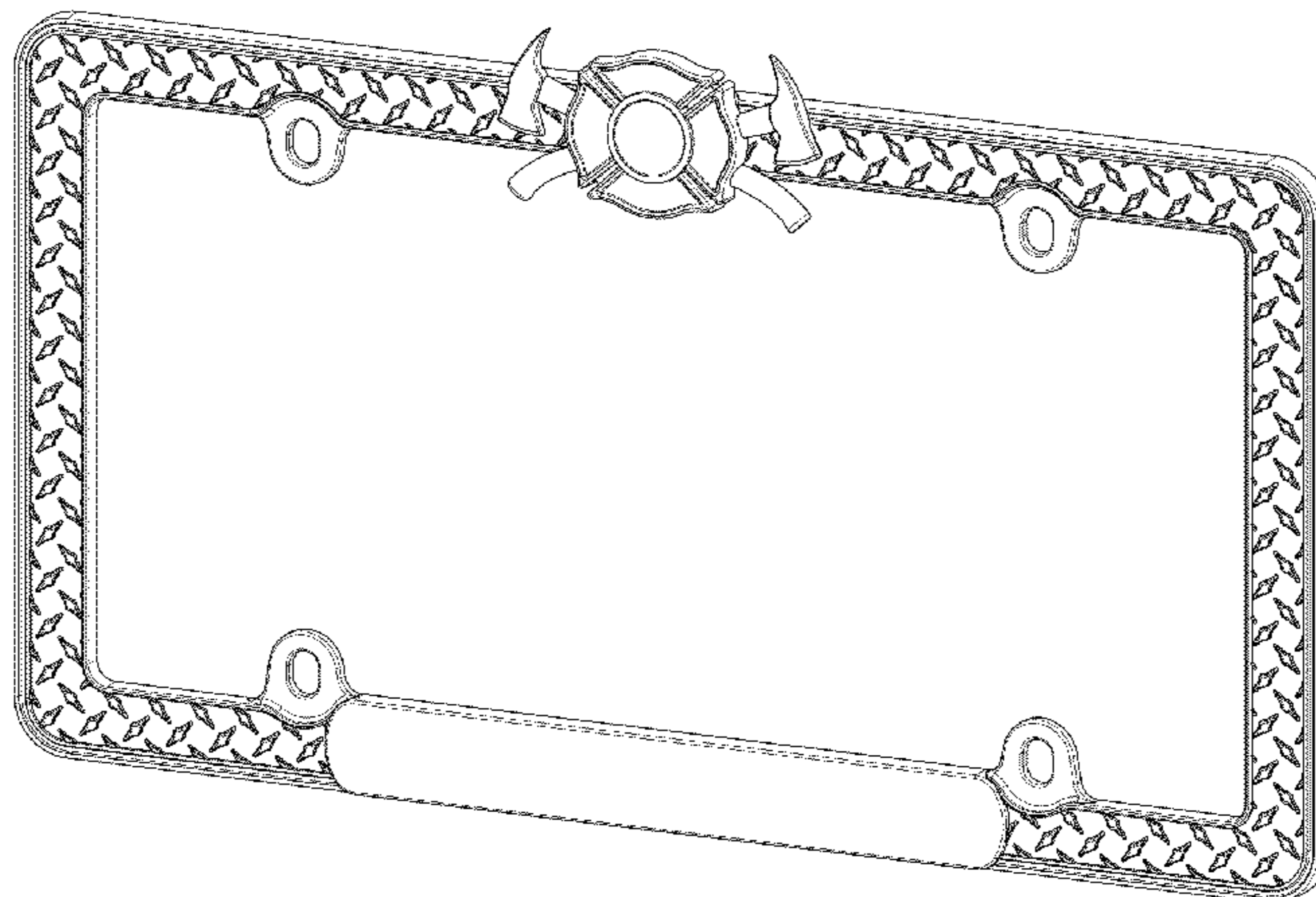
FIG. 5 is a right side view of the license plate frame of the present invention, the left side view being the mirror image thereof.

FIG. 6 is a top view of the license plate frame of the present invention, the bottom view being the mirror image thereof.

FIG. 7 is front view showing a second embodiment of our design for a license plate frame, with an emblem moved from the top bar of the design shown in FIG. 1 to the bottom bar of the frame, and a blank oval section of the frame moved from the bottom bar of the design shown in FIG. 1 to the top bar of the frame; and,

FIG. 8 is a front view showing a third embodiment of our design for a license plate frame, with the word "FIRE-FIGHTER" written in the blank oval section of the bottom bar of the design shown in FIG. 1.

1 Claim, 4 Drawing Sheets



(56)

References Cited

U.S. PATENT DOCUMENTS

D623,106 S * 9/2010 Hu D12/193
D633,020 S * 2/2011 Ziegler et al. D12/193
8,291,627 B1 * 10/2012 Spencer et al. 40/209

D689,804 S * 9/2013 Spencer et al. D12/193
D689,806 S * 9/2013 Spencer et al. D12/193
D700,553 S * 3/2014 Spencer et al. D12/193
D705,712 S * 5/2014 Spencer et al. D12/193

* cited by examiner

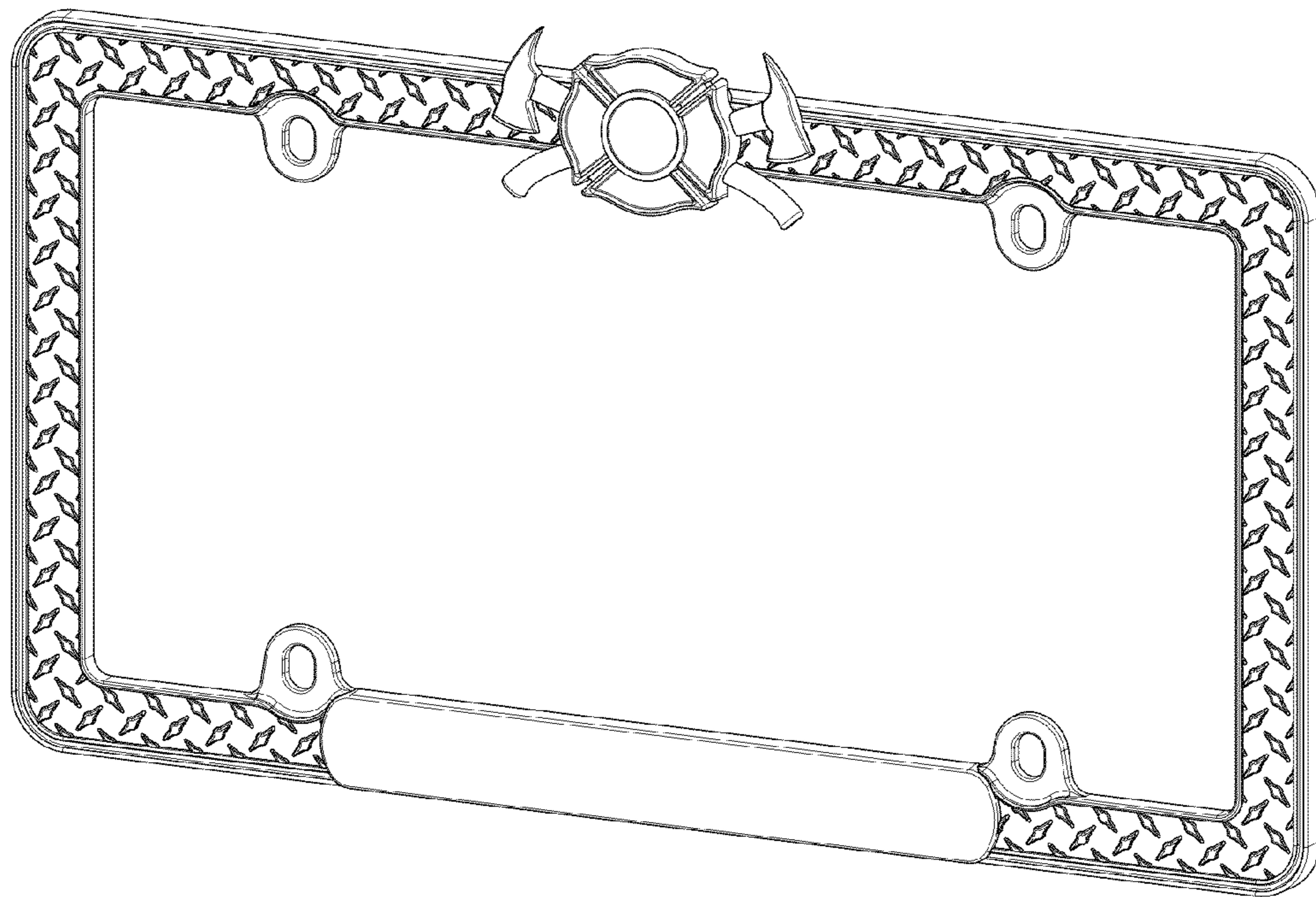


Figure 1

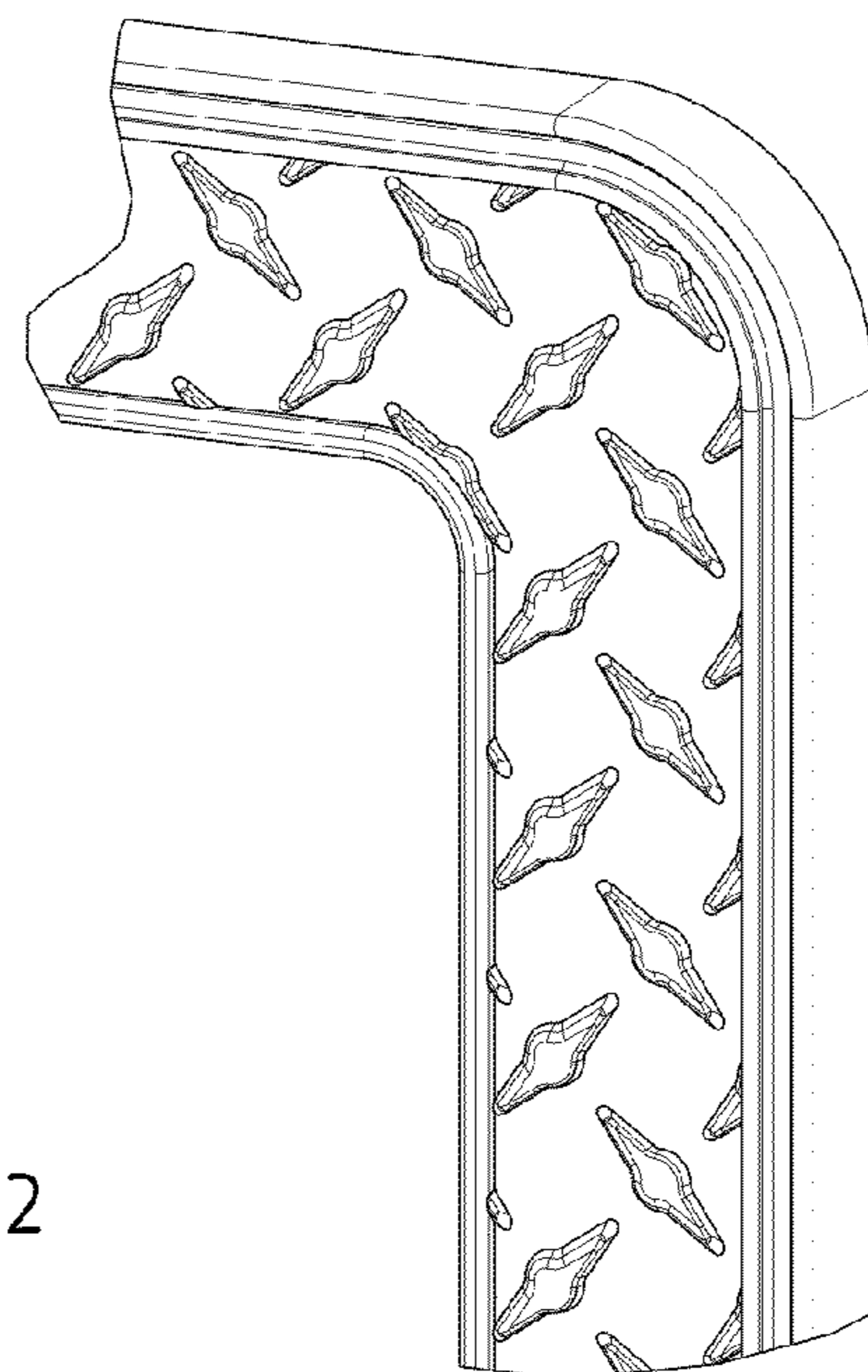


Figure 2

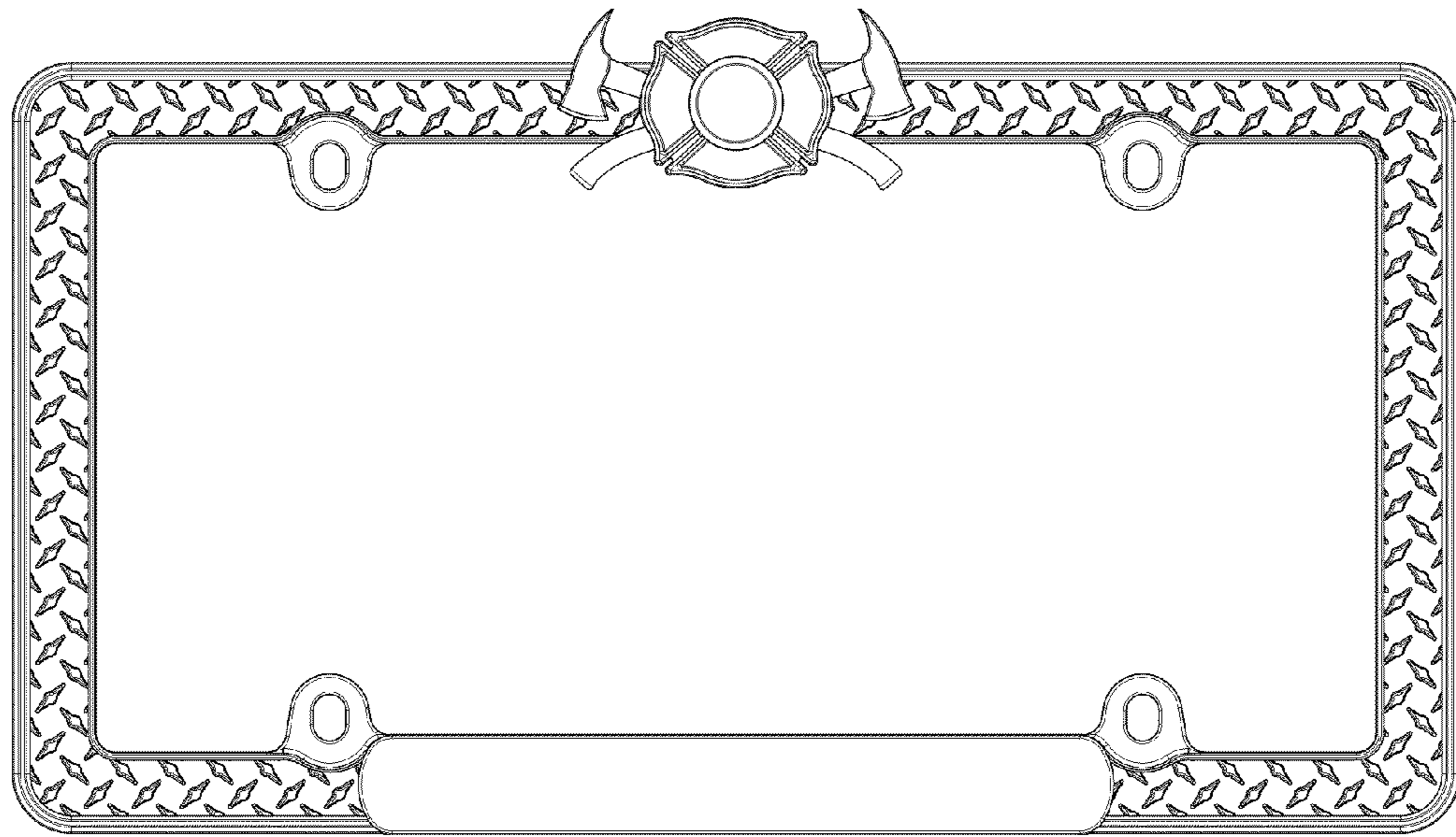


Figure 3

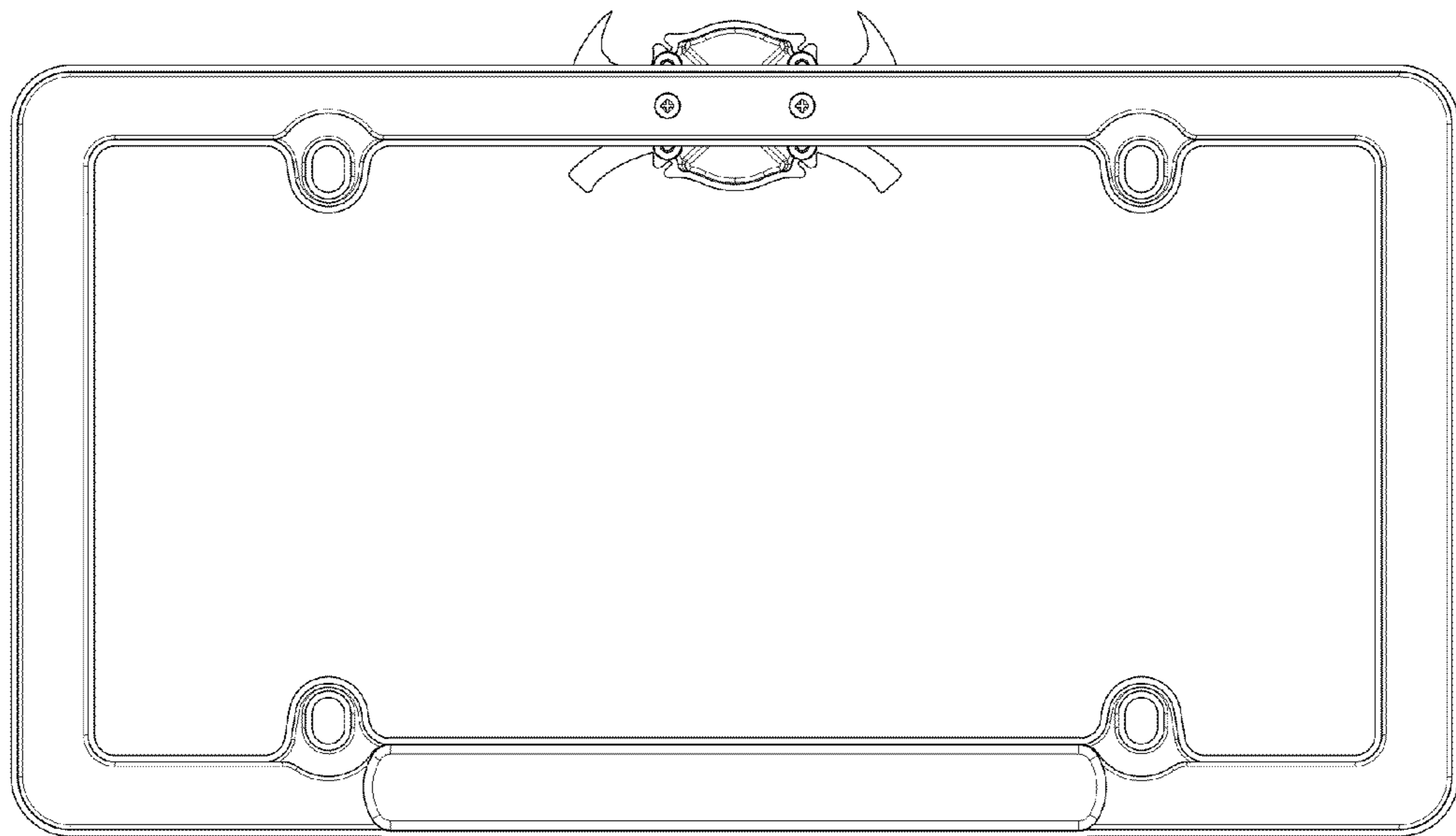
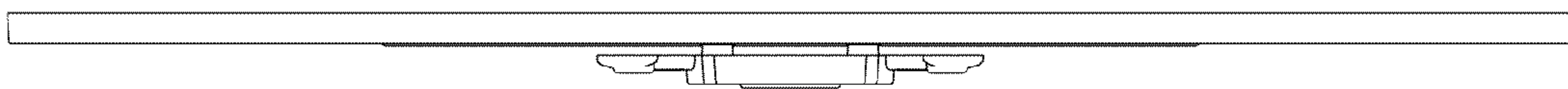


Figure 4

Figure 5



Figure 6



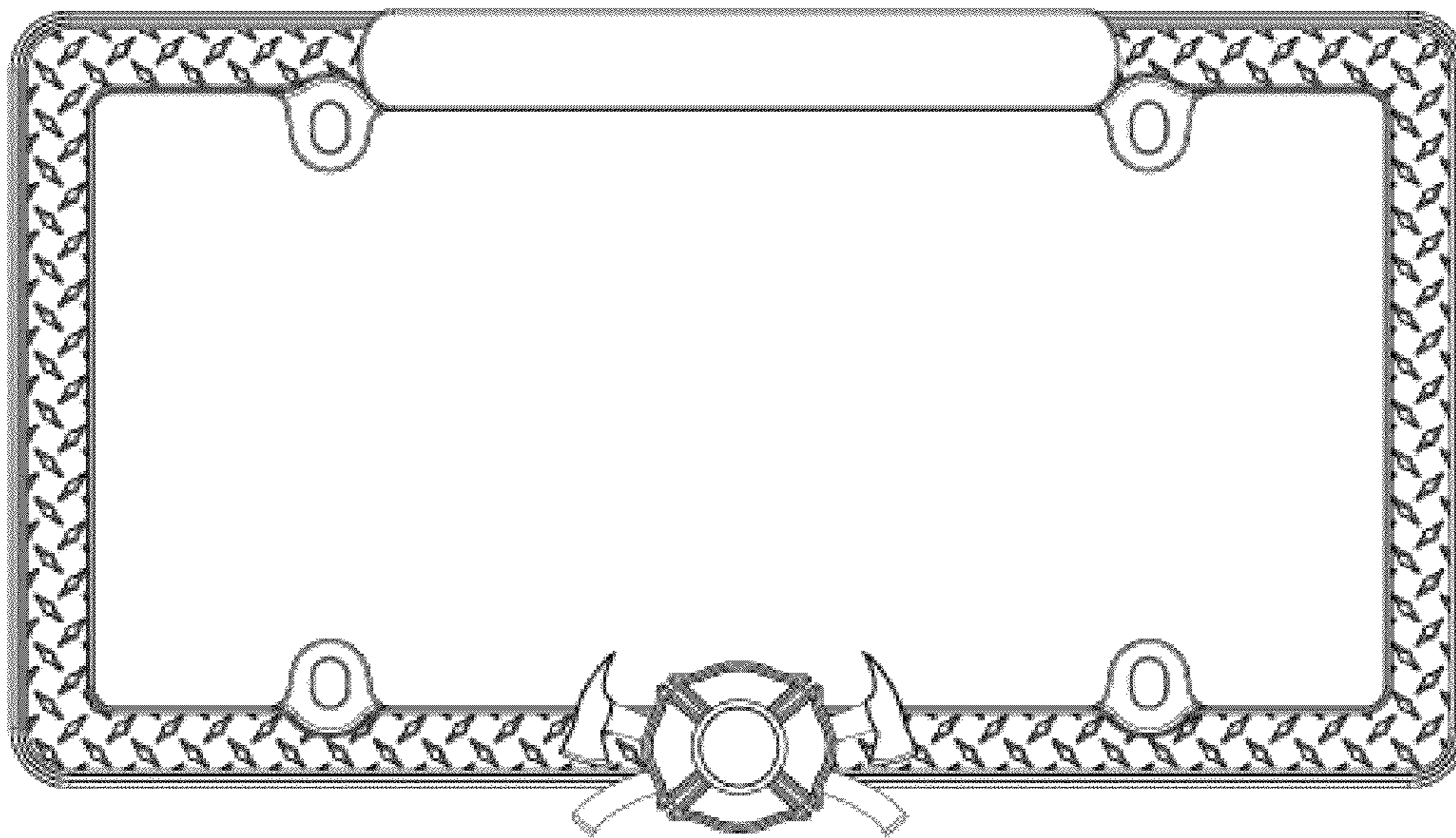


Figure 7



Figure 8