



US00D727817S

(12) **United States Design Patent**
Schroeder et al.

(10) **Patent No.:** **US D727,817 S**

(45) **Date of Patent:** **** Apr. 28, 2015**

(54) **INSTRUMENT PANEL FOR AN ALL-TERRAIN VEHICLE**

(71) Applicants: **Anthony Schroeder**, Huntington Beach, CA (US); **Eric Chin**, Irvine, CA (US); **Shinji Nagano**, Tokyo (JP)

(72) Inventors: **Anthony Schroeder**, Huntington Beach, CA (US); **Eric Chin**, Irvine, CA (US); **Shinji Nagano**, Tokyo (JP)

(73) Assignee: **Honda Motor Co., Ltd.**, Tokyo (JP)

(**) Term: **14 Years**

(21) Appl. No.: **29/490,623**

(22) Filed: **May 12, 2014**

(51) **LOC (10) Cl.** **12-16**

(52) **U.S. Cl.**
USPC **D12/192**

(58) **Field of Classification Search**
USPC D12/192, 415, 110, 114; D10/46, 98, D10/102-103, 122-127; D15/17, 28; 296/190.01-190.09, 191, 70; 280/750-752; 180/90
See application file for complete search history.

(56) **References Cited**

U.S. PATENT DOCUMENTS

5,215,343 A	6/1993	Fortune	
D388,042 S	12/1997	Thorne et al.	
D405,408 S *	2/1999	Yoshida et al.	D12/192
D410,879 S	6/1999	Orth, Sr.	
D419,936 S *	2/2000	Sacco et al.	D12/192
D420,962 S	2/2000	Chevalier	
D425,462 S	5/2000	Ujii	
D437,270 S	2/2001	Yokomaku	
D472,854 S	4/2003	Weber et al.	
6,612,595 B1	9/2003	Storer	
D485,219 S	1/2004	Hamm et al.	
6,685,244 B2	2/2004	McCoy et al.	
D512,666 S	12/2005	Chiang	
D513,718 S	1/2006	Itaya et al.	

D527,696 S	9/2006	Ichikawa et al.	
D532,348 S	11/2006	Kudo et al.	
D557,642 S	12/2007	Miwa et al.	
D577,640 S *	9/2008	Wyszogrod et al.	D12/192
D580,322 S	11/2008	Schroeder et al.	
D592,574 S	5/2009	Larson	
D599,250 S	9/2009	Hirano	
D606,913 S	12/2009	Robertson	
D609,615 S	2/2010	Kruger et al.	
D617,700 S	6/2010	Nishio	
D637,533 S	5/2011	Miyazawa et al.	
D637,539 S *	5/2011	Welch et al.	D12/192
D641,669 S	7/2011	Vardis	
D641,672 S *	7/2011	Willoughby et al.	D12/192
D641,674 S *	7/2011	Kim et al.	D12/192

(Continued)

OTHER PUBLICATIONS

“Honda—ATV Range”—Honda Brochure—Aug. 12, 2014 [online]—Retrieved on Sep. 1, 2014—Retrieved from the INternet , URL: http://motorcycles.honda.com.au/brochures/Honda_ATV_Range.pdf.

(Continued)

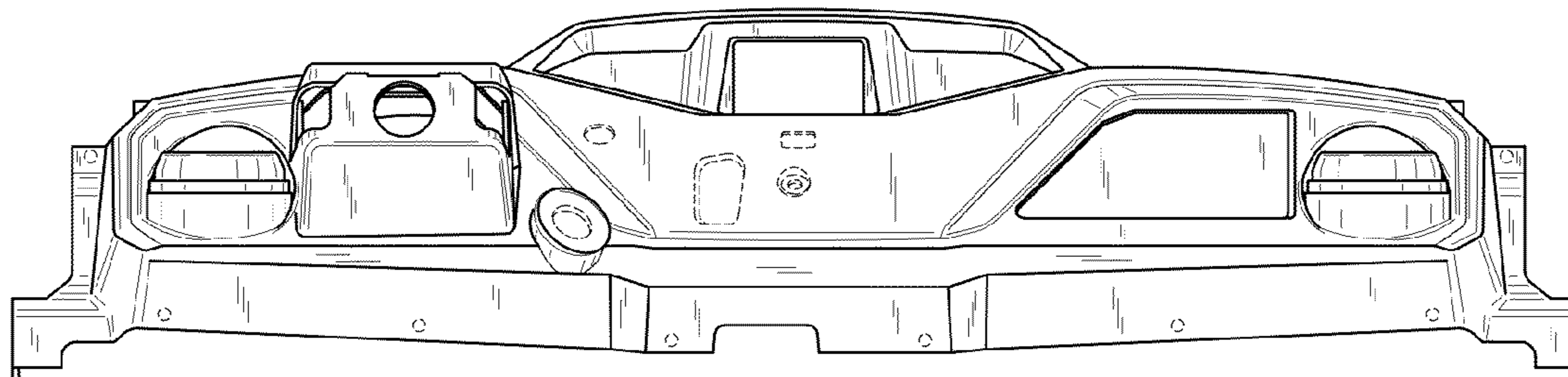
Primary Examiner — Katrina A Betton
(74) *Attorney, Agent, or Firm* — Pearne & Gordon LLP

(57) **CLAIM**
The ornamental design for an instrument panel for an all-terrain vehicle, as shown and described.

DESCRIPTION

FIG. 1 is a perspective view of our new invention; FIG. 2 is a front view thereof; FIG. 3 is a top view thereof; FIG. 4 is a right view thereof; FIG. 5 is a left view thereof; FIG. 6 is a bottom view thereof; and, FIG. 7 is a rear view thereof.
The portions of the instrument panel shown in broken lines are provided for illustrative purposes only and form no part of the claimed design.

1 Claim, 3 Drawing Sheets



(56)

References Cited

U.S. PATENT DOCUMENTS

D642,099 S 7/2011 Nagao et al.
D643,350 S 8/2011 Furst
D643,781 S 8/2011 Nagao et al.
D669,403 S 10/2012 Gifford
D669,504 S 10/2012 Higashikawa
D679,227 S 4/2013 Schmeckpeper
D682,754 S 5/2013 Robinson
D691,074 S 10/2013 Dugardin
D692,812 S 11/2013 Harriton
D693,753 S * 11/2013 Cheung et al. D12/192
D694,159 S 11/2013 Jung

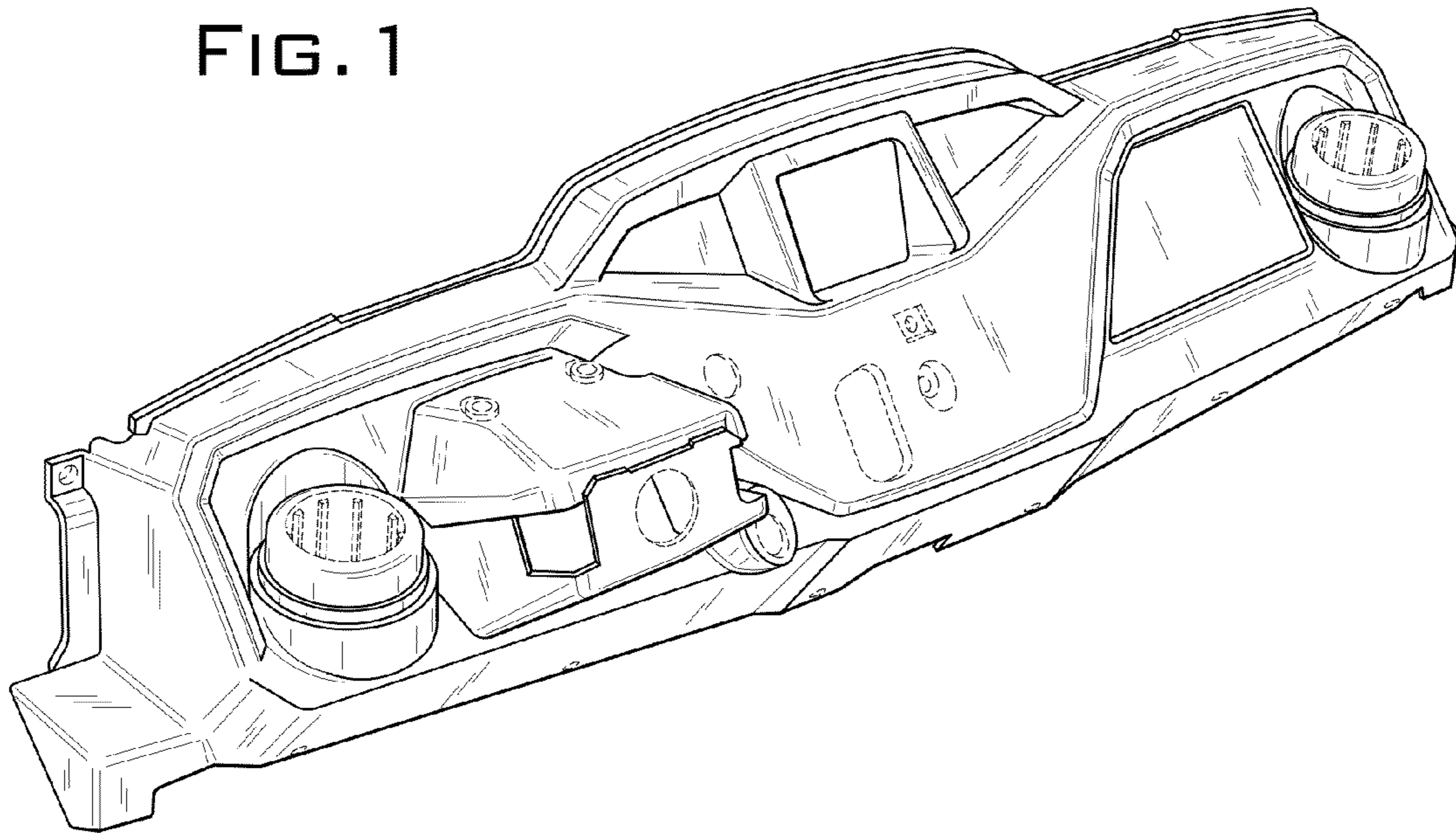
8,678,482 B2 3/2014 O'Brien et al.
D704,610 S * 5/2014 Mizuhata et al. D12/192
D707,595 S 6/2014 Kavaja
2006/0201727 A1 9/2006 Chan
2013/0187395 A1 7/2013 Hanson et al.
2014/0319306 A1 10/2014 Massicotte et al.

OTHER PUBLICATIONS

“Polaris—2013 Off-Road Vehicles”—Polaris Brochure—Jul. 30, 2012 [online]—Retrieved on Sep. 1, 2014]—Retrieved from the Internet < URL: <http://cdn.polarisindustries.com/polaris/orv/2013/img/shopping-tools/2013-brochure.pdf>>.

* cited by examiner

FIG. 1



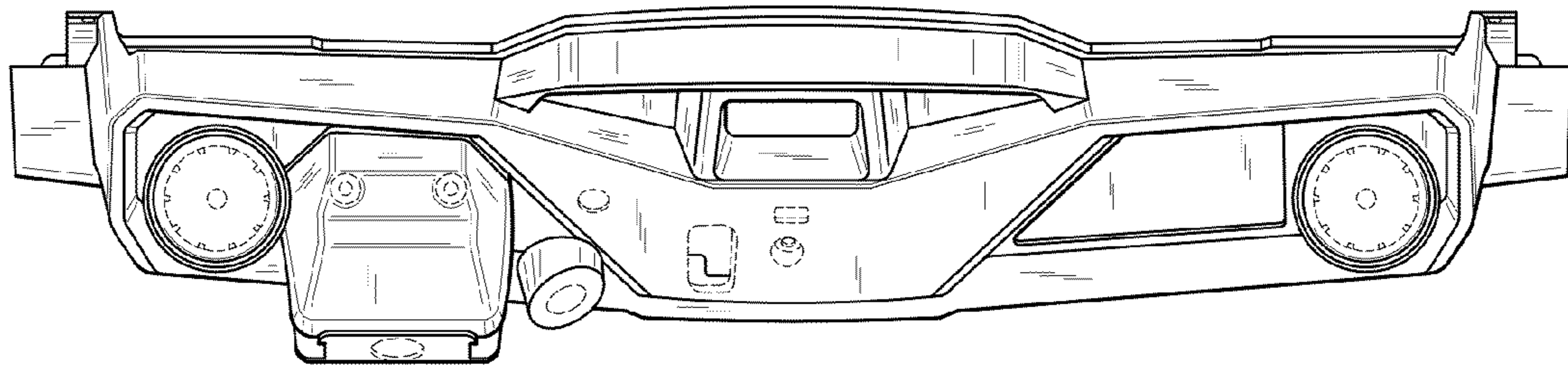


FIG. 3

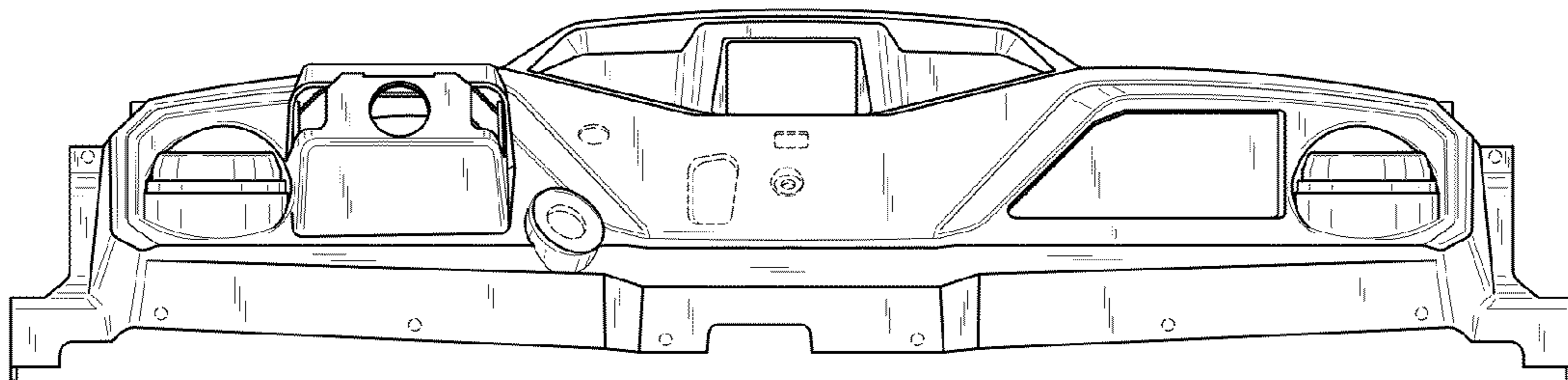


FIG. 2

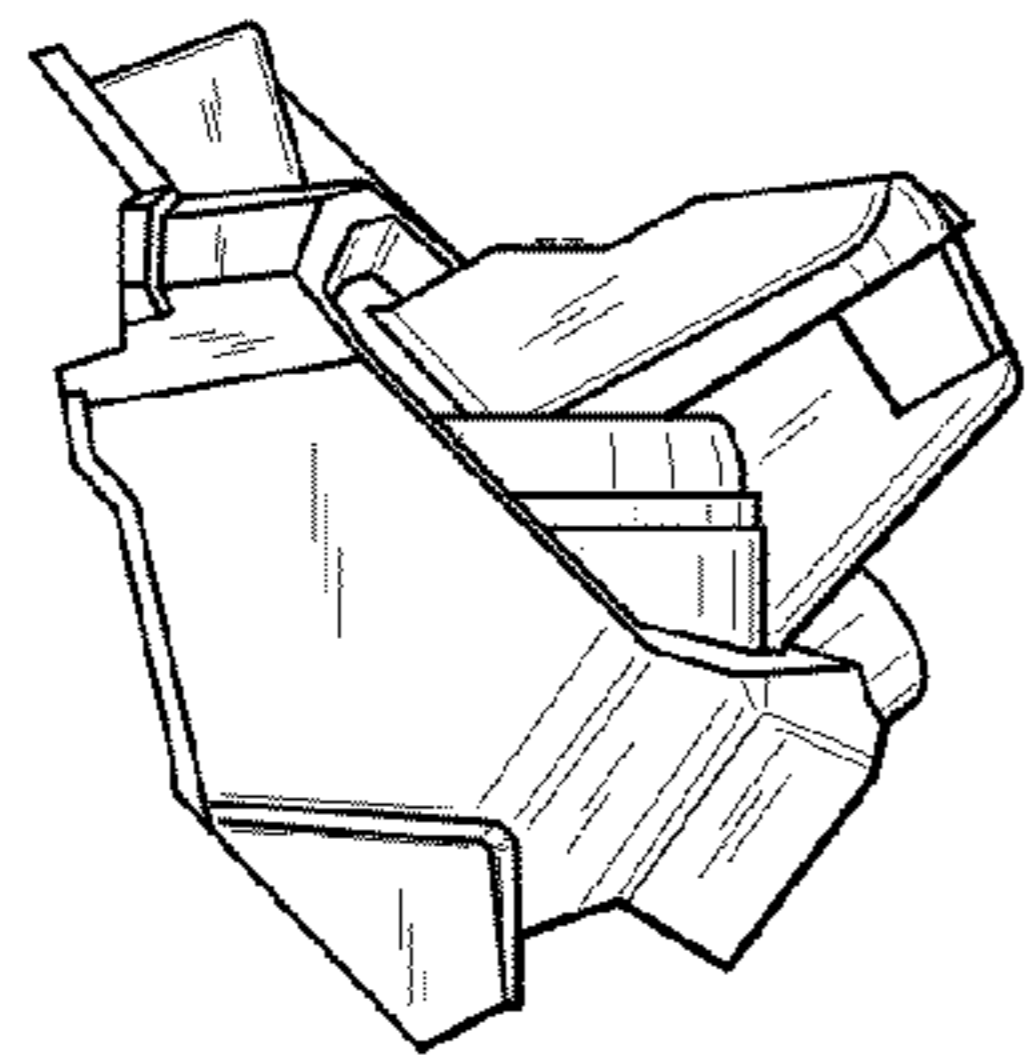


FIG. 5

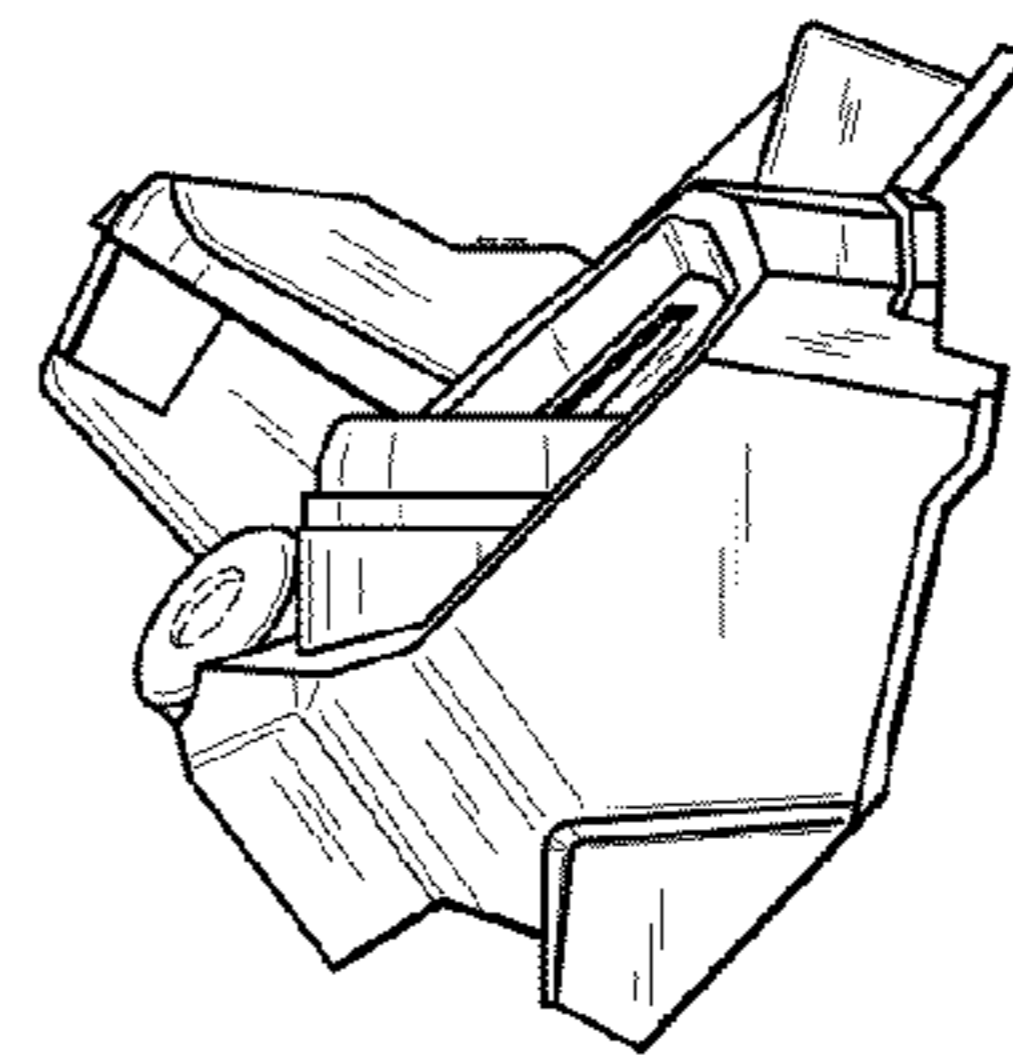


FIG. 4

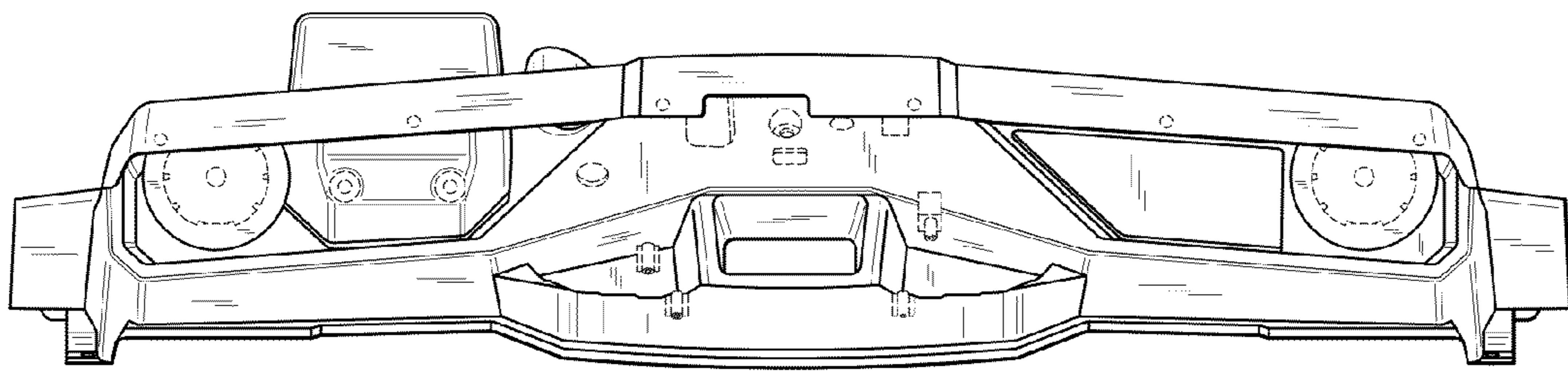


FIG. 6

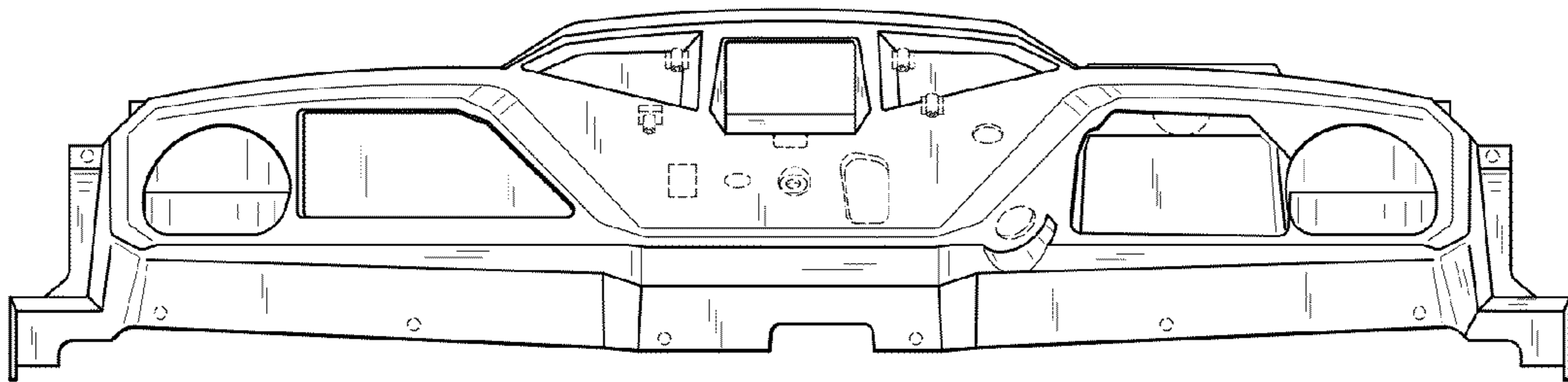


FIG. 7