



US00D727816S

(12) **United States Design Patent**
Takagi et al.

(10) **Patent No.:** **US D727,816 S**
(45) **Date of Patent:** **** Apr. 28, 2015**

(54) **INSTRUMENT PANEL FOR AUTOMOBILE**
(71) Applicant: **Fuji Jukogyo Kabushiki Kaisha**, Tokyo (JP)
(72) Inventors: **Souta Takagi**, Tokyo (JP); **Jun Shioda**, Tokyo (JP)
(73) Assignee: **Fuji Jukogyo Kabushiki Kaisha**, Tokyo (JP)

(**) Term: **14 Years**
(21) Appl. No.: **29/489,032**
(22) Filed: **Apr. 25, 2014**

(30) **Foreign Application Priority Data**
Oct. 25, 2013 (JP) 2013-024865
(51) **LOC (10) Cl.** **12-16**
(52) **U.S. Cl.**
USPC **D12/192**
(58) **Field of Classification Search**
USPC D12/192, 415, 110, 114; D10/46, 98,
D10/102-103, 122-127; D15/17, 28;
296/190.01-190.09, 191, 70;
280/750-752; 180/90
See application file for complete search history.

(56) **References Cited**
U.S. PATENT DOCUMENTS
D405,408 S * 2/1999 Yoshida et al. D12/192
D419,936 S * 2/2000 Sacco et al. D12/192
D577,640 S * 9/2008 Wyszogrod et al. D12/192
D637,539 S * 5/2011 Welch et al. D12/192
D641,672 S * 7/2011 Willoughby et al. D12/192
D641,674 S * 7/2011 Kim et al. D12/192
D693,753 S * 11/2013 Cheung et al. D12/192
D704,610 S * 5/2014 Mizuhata et al. D12/192

* cited by examiner
Primary Examiner — Katrina A Betton
(74) *Attorney, Agent, or Firm* — Schiff Hardin LLP

(57) **CLAIM**
We claim the ornamental design for an instrument panel for automobile, as shown and described.

DESCRIPTION
FIG. 1 is a front perspective view for a “instrument panel for automobile” showing my new design,
FIG. 2 is a front perspective view thereof,
FIG. 3 is a front view thereof,
FIG. 4 is a rear view thereof,
FIG. 5 is a left-side view thereof,
FIG. 6 is a right-side view thereof,
FIG. 7 is a top view thereof; and,
FIG. 8 is a bottom view thereof.

1 Claim, 8 Drawing Sheets

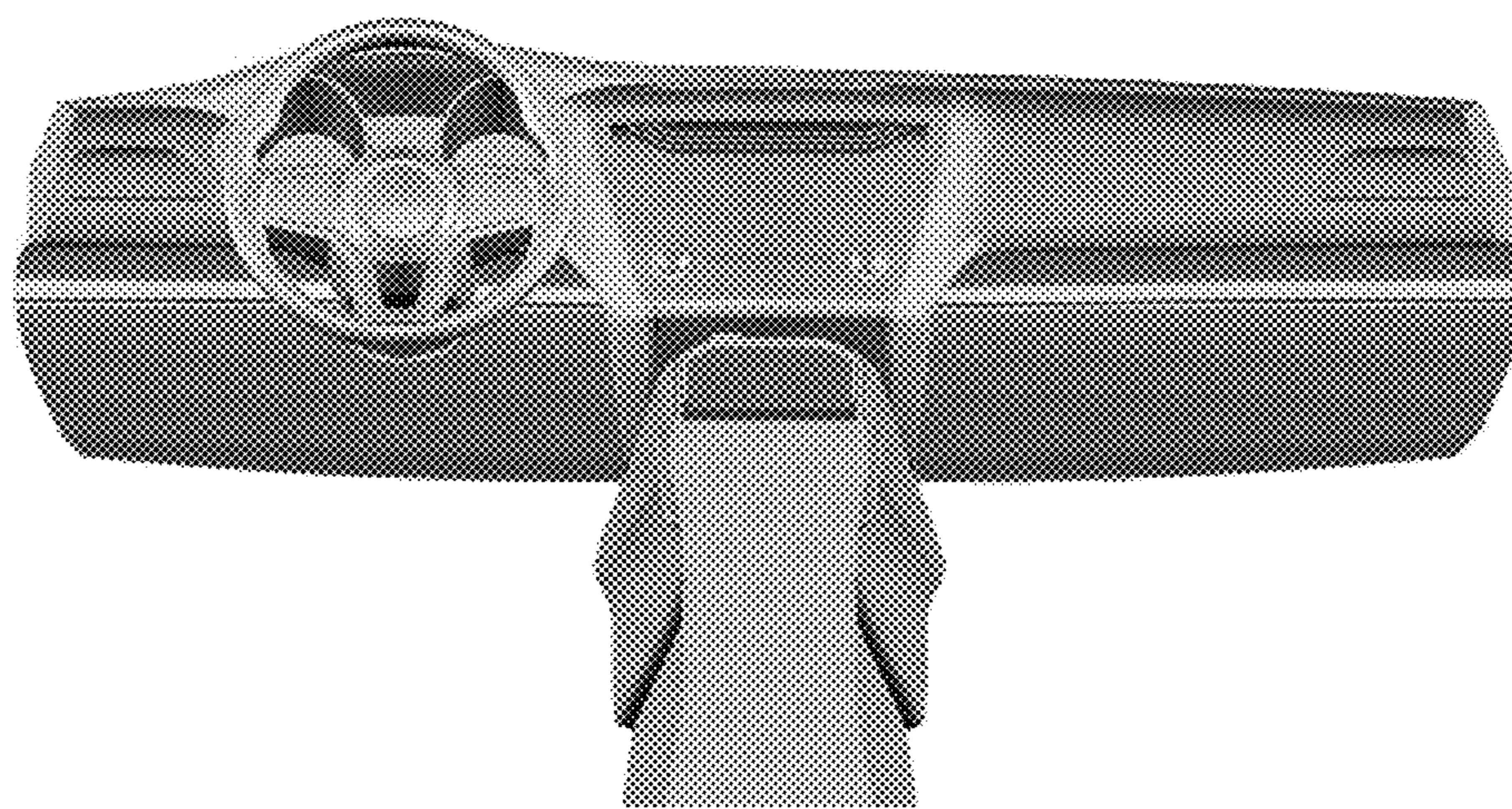


Fig. 1

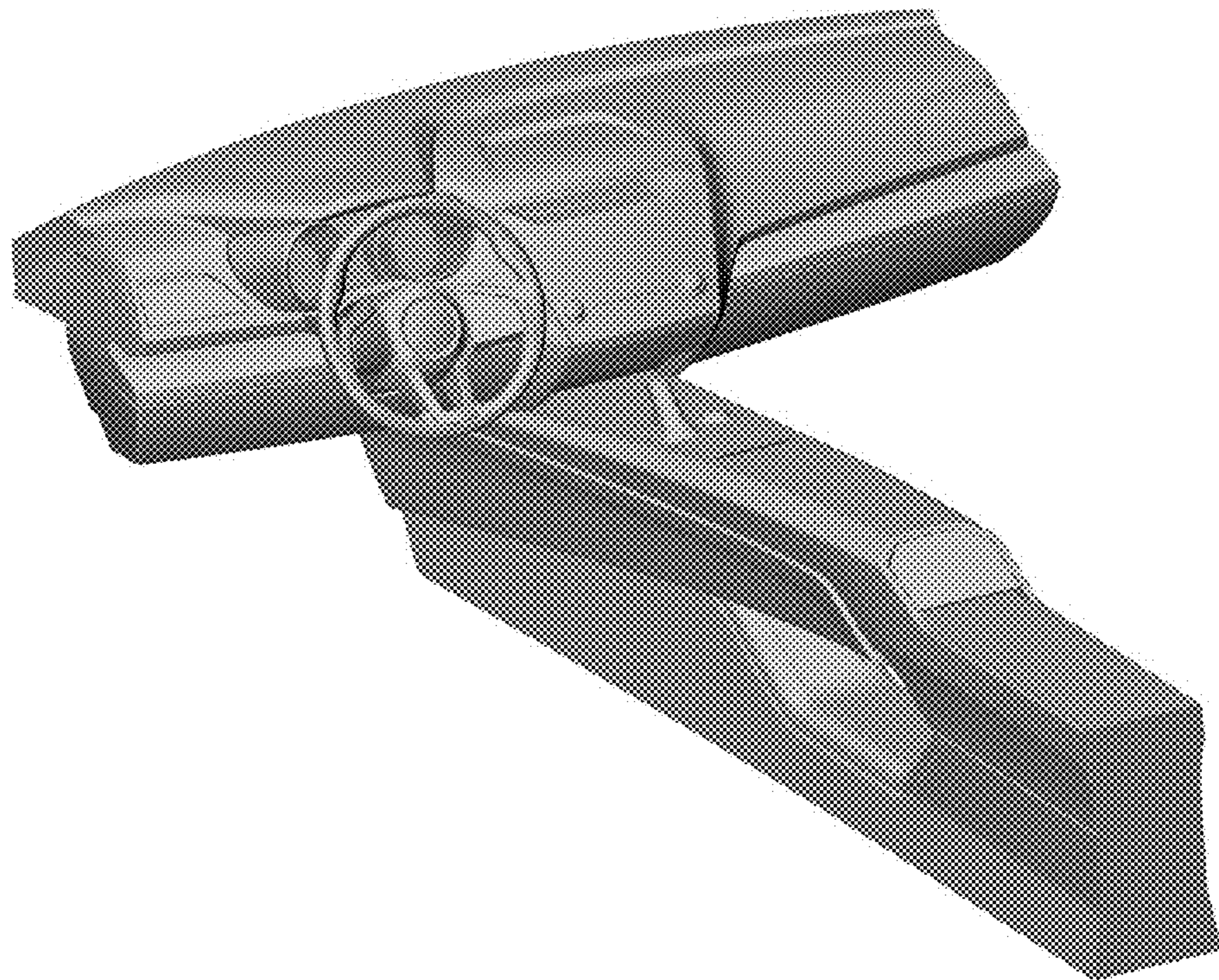


Fig. 2

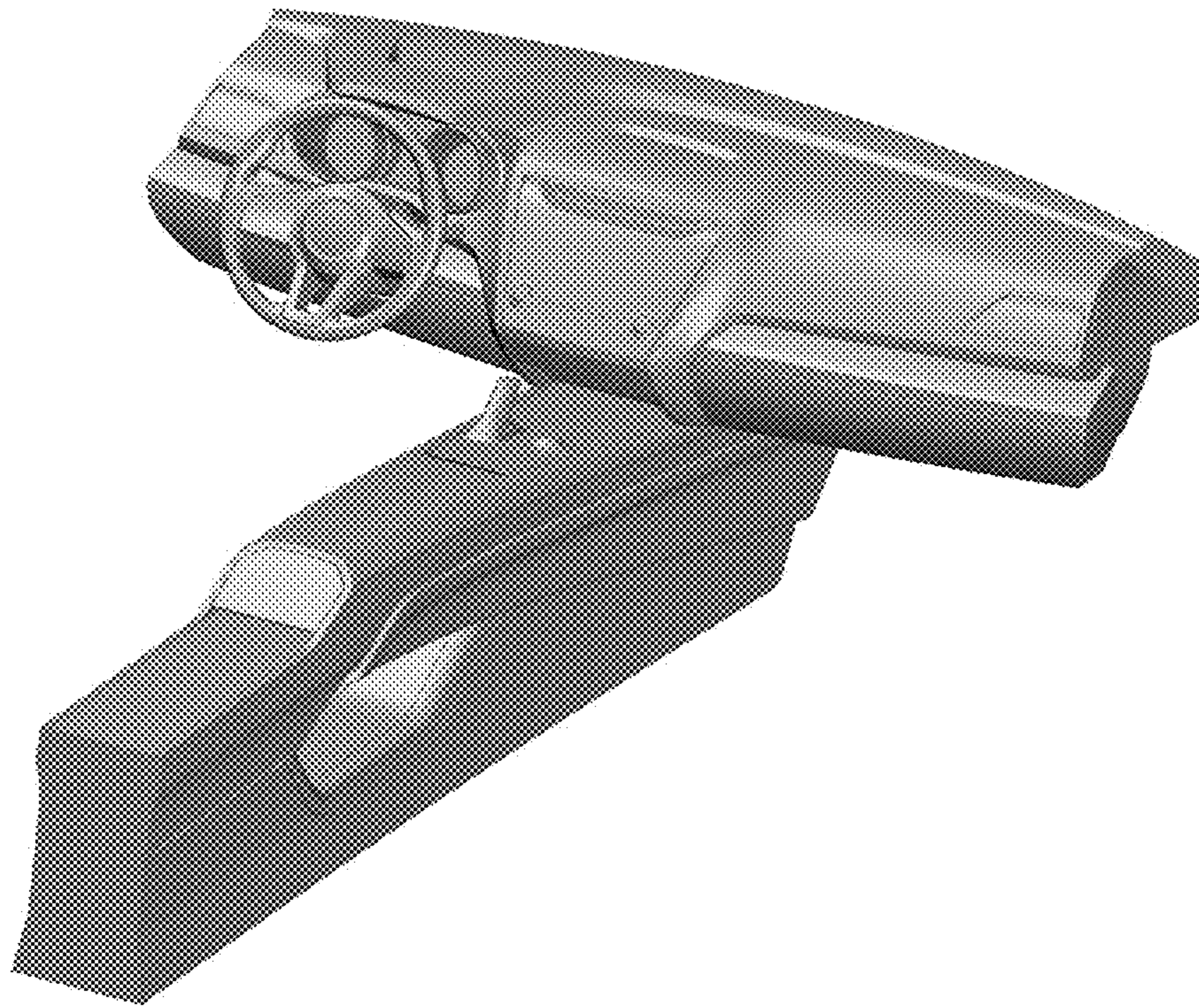


Fig. 3

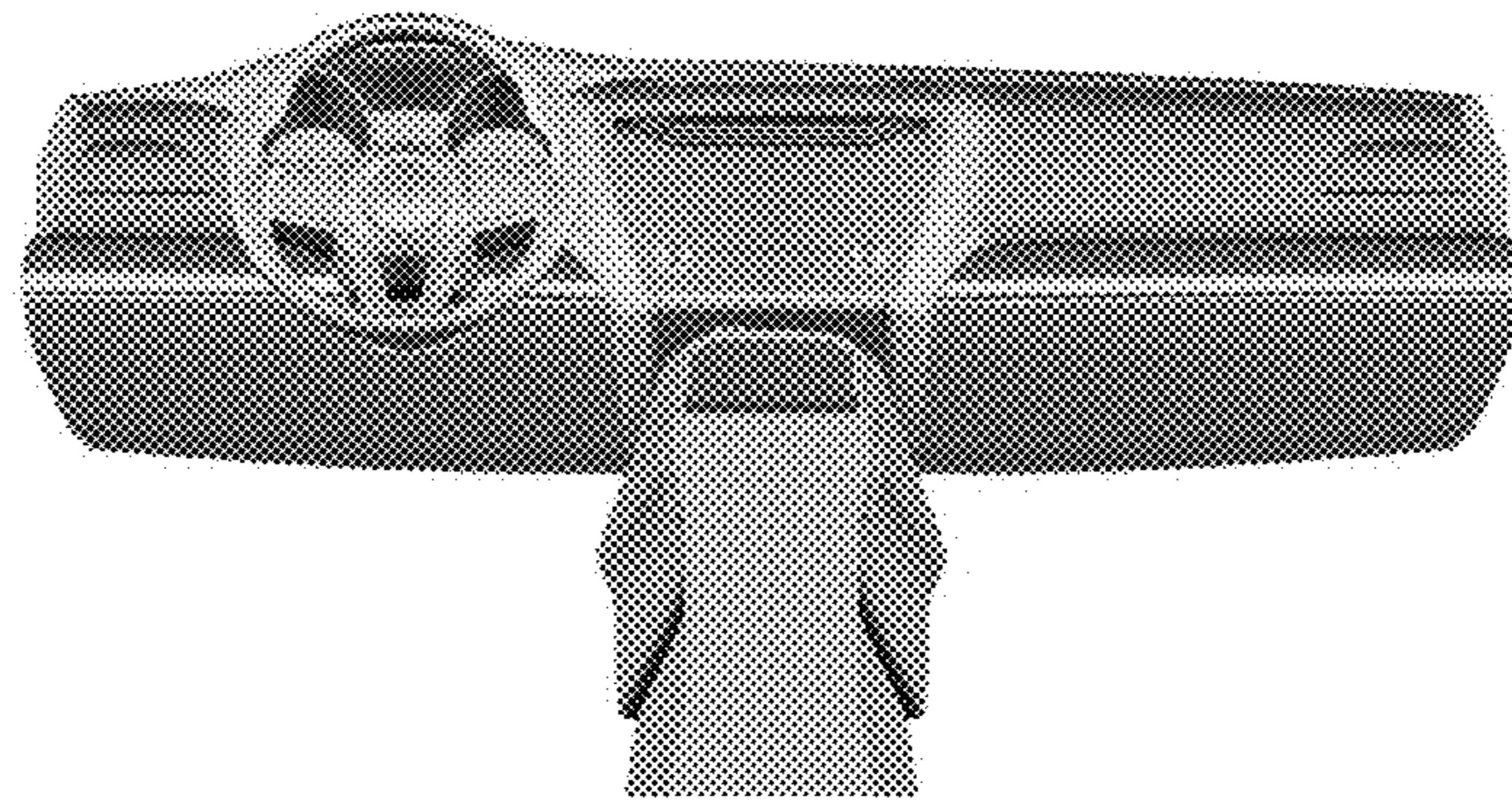


Fig. 4

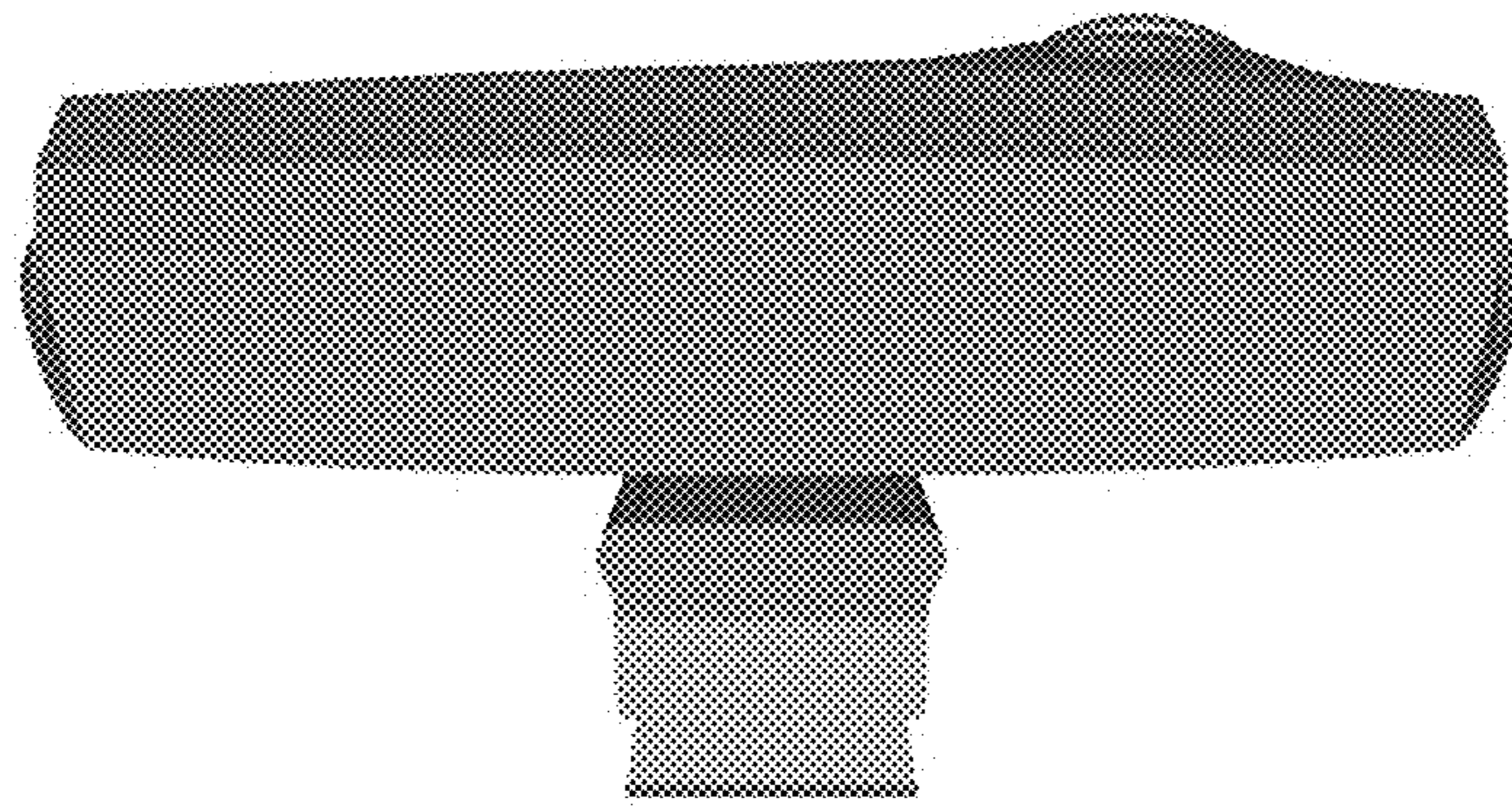


Fig. 5

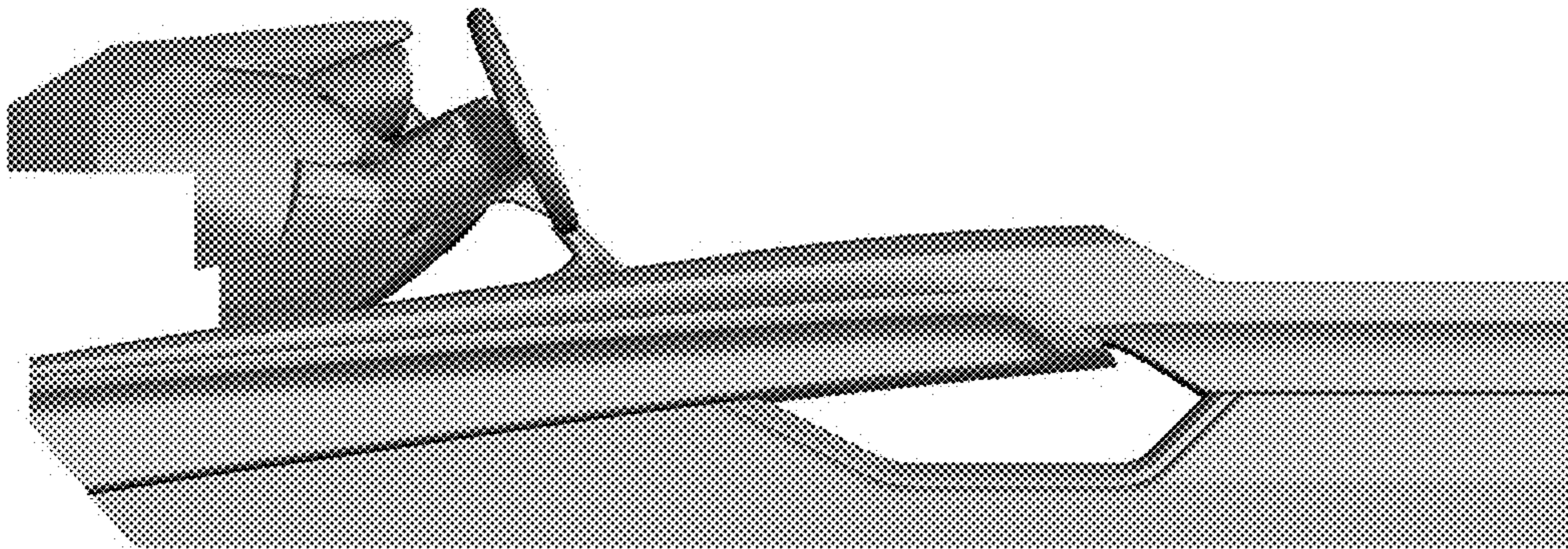


Fig. 6

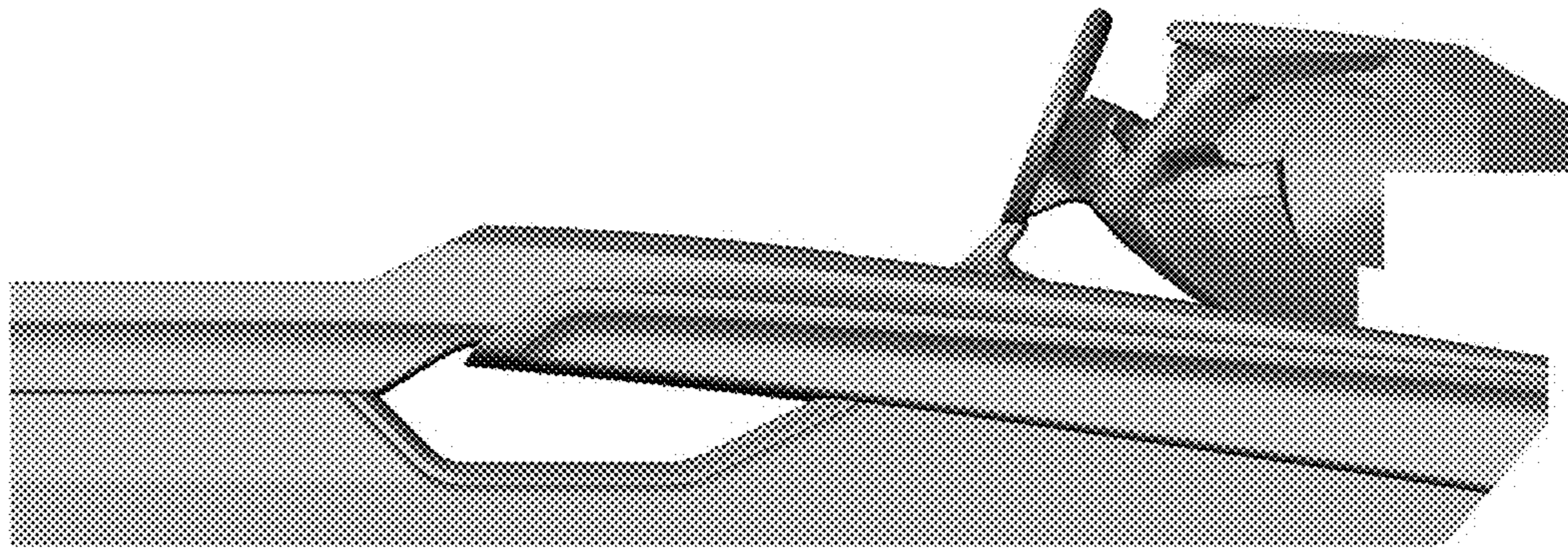


Fig. 7

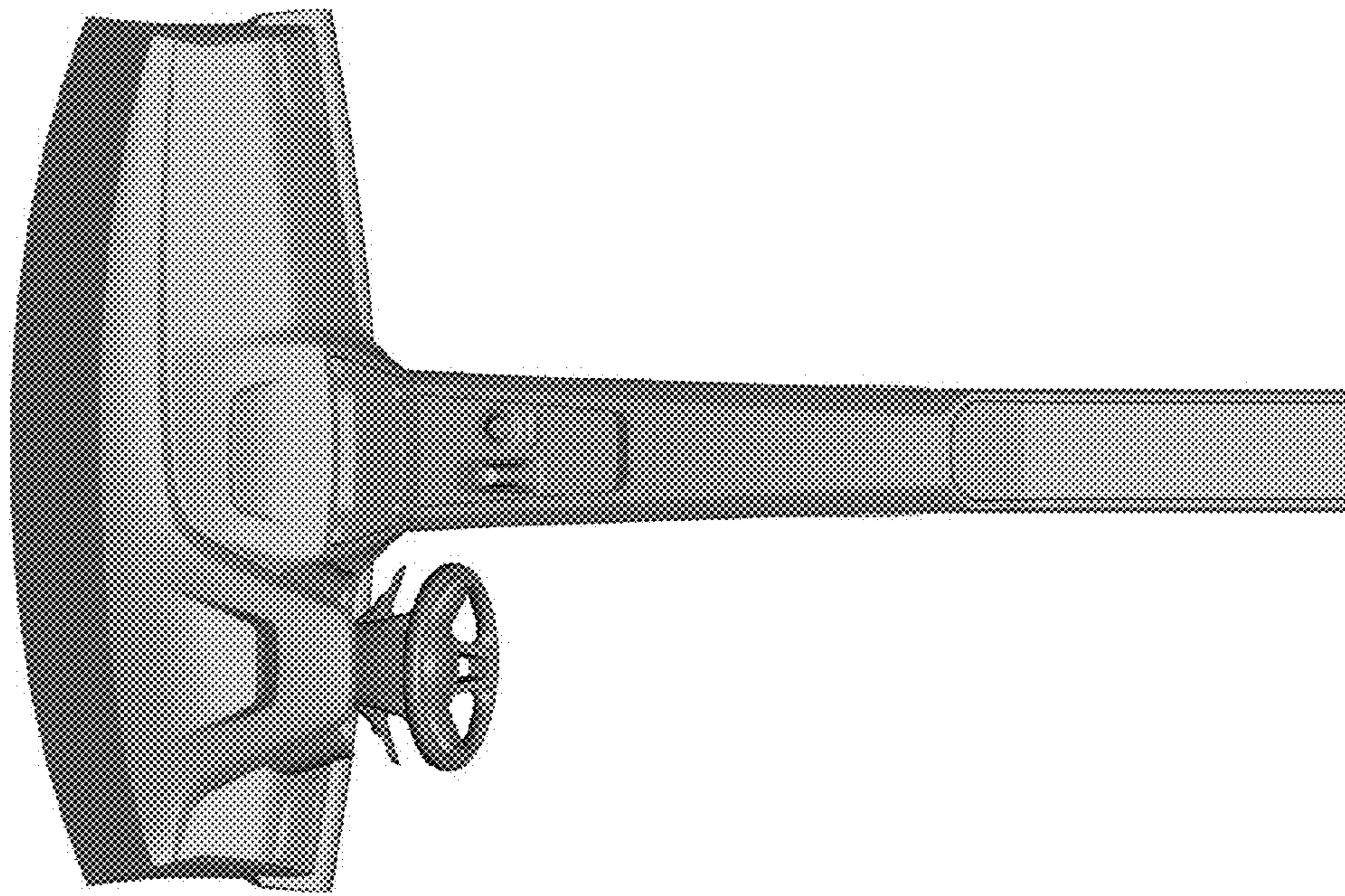


Fig. 8

