



US00D727814S

(12) **United States Design Patent**
Paulke

(10) **Patent No.:** **US D727,814 S**
(45) **Date of Patent:** **** Apr. 28, 2015**

(54) **DASHBOARD**

(71) Applicant: **Quirky, Inc.**, New York, NY (US)

(72) Inventor: **Gabor Paulke**, New York, NY (US)

(73) Assignee: **Quirky, Inc.**, New York, NY (US)

(**) Term: **14 Years**

(21) Appl. No.: **29/468,914**

(22) Filed: **Oct. 4, 2013**

(51) **LOC (10) Cl.** **12-16**

(52) **U.S. Cl.**
USPC **D12/192**

(58) **Field of Classification Search**
USPC D12/192, 415, 110, 114; D10/46, 98,
D10/102-103, 122-127; D15/17, 28;
296/190.01-190.09, 191, 70;
280/750-752; 180/90
See application file for complete search history.

(56) **References Cited**

U.S. PATENT DOCUMENTS

3,557,904 A * 1/1971 Grote 181/266
D589,388 S * 3/2009 Sauter D10/102

D598,832 S * 8/2009 Sauter D12/192
D656,440 S * 3/2012 Klein D12/192
D673,487 S * 1/2013 Hanson et al. D12/192
2004/0056502 A1 * 3/2004 Jennings 296/70
2004/0125587 A1 * 7/2004 Wada et al. 362/29
2009/0206627 A1 * 8/2009 Duplantis et al. 296/72

* cited by examiner

Primary Examiner — Katrina A Betton

(74) *Attorney, Agent, or Firm* — Cowan, Liebowitz & Latman, P.C.; Steven D. Underwood

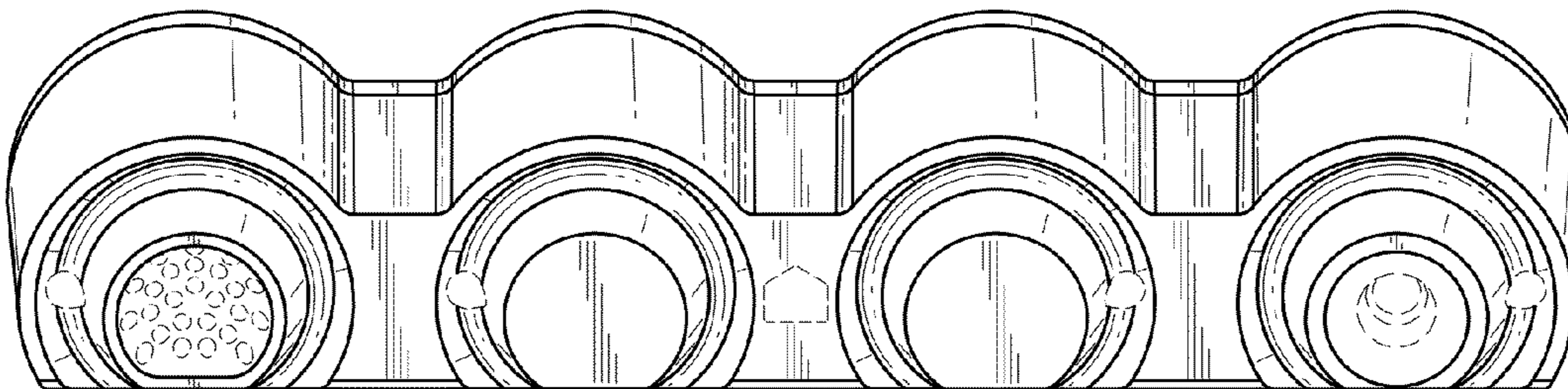
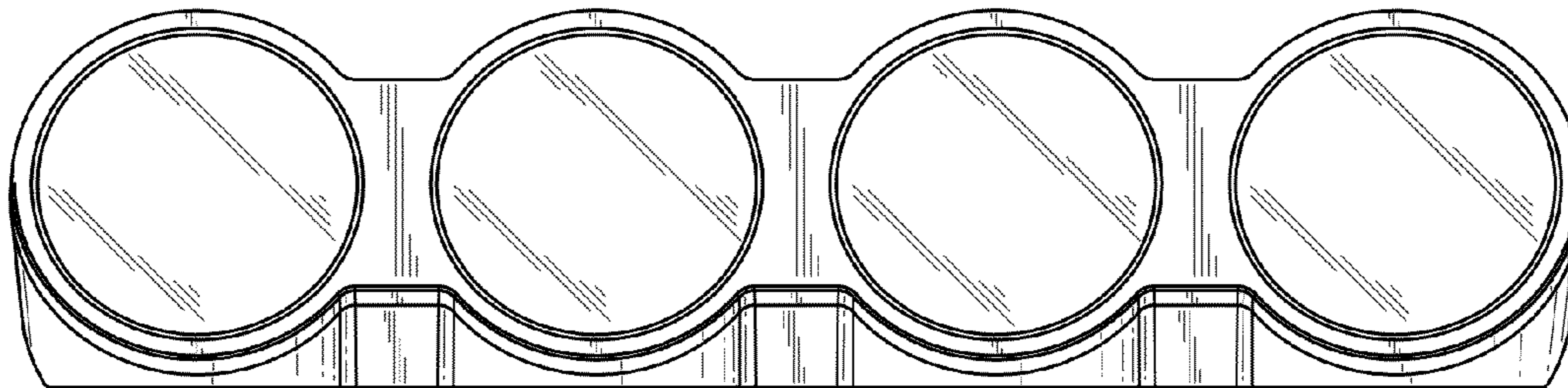
(57) **CLAIM**

The ornamental design for a dashboard, as shown.

DESCRIPTION

FIG. 1 is a front perspective view of the dashboard of the present invention;
FIG. 2 is a rear perspective view thereof;
FIG. 3 is a right side view thereof;
FIG. 4 is a left side view thereof;
FIG. 5 is a front view thereof;
FIG. 6 is a rear view thereof;
FIG. 7 is a top view thereof; and,
FIG. 8 is a bottom view thereof.

1 Claim, 2 Drawing Sheets



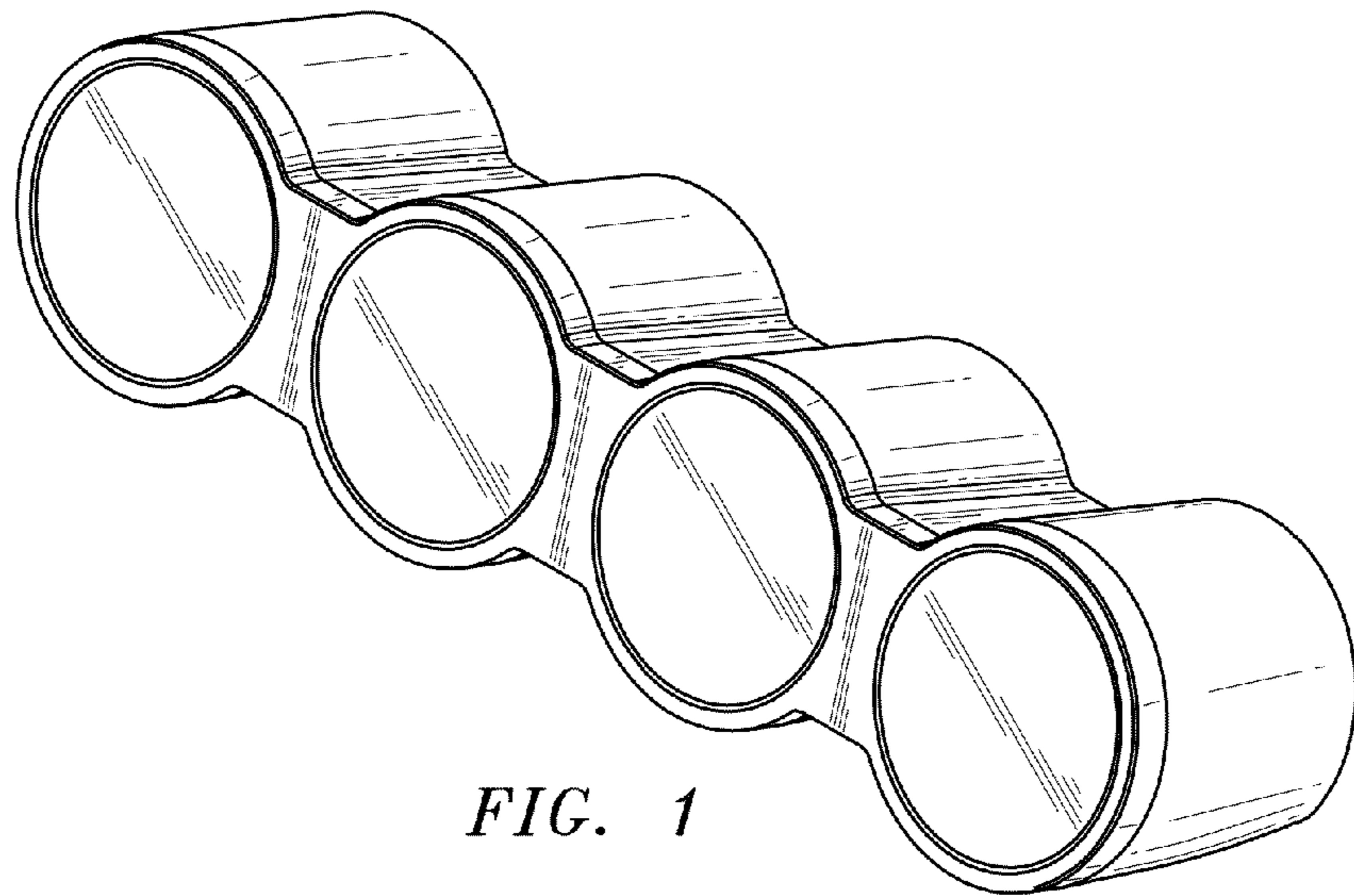


FIG. 1

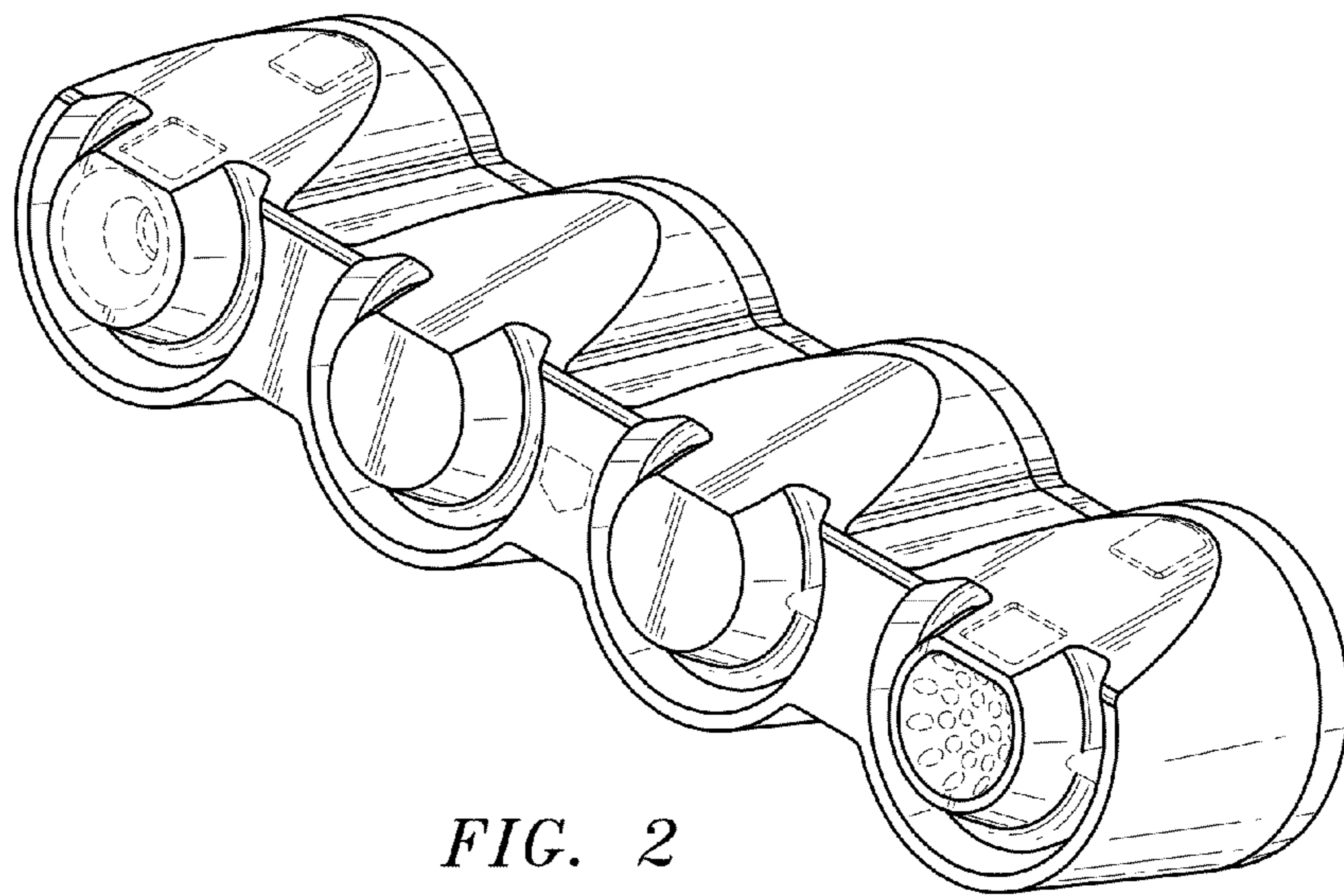


FIG. 2

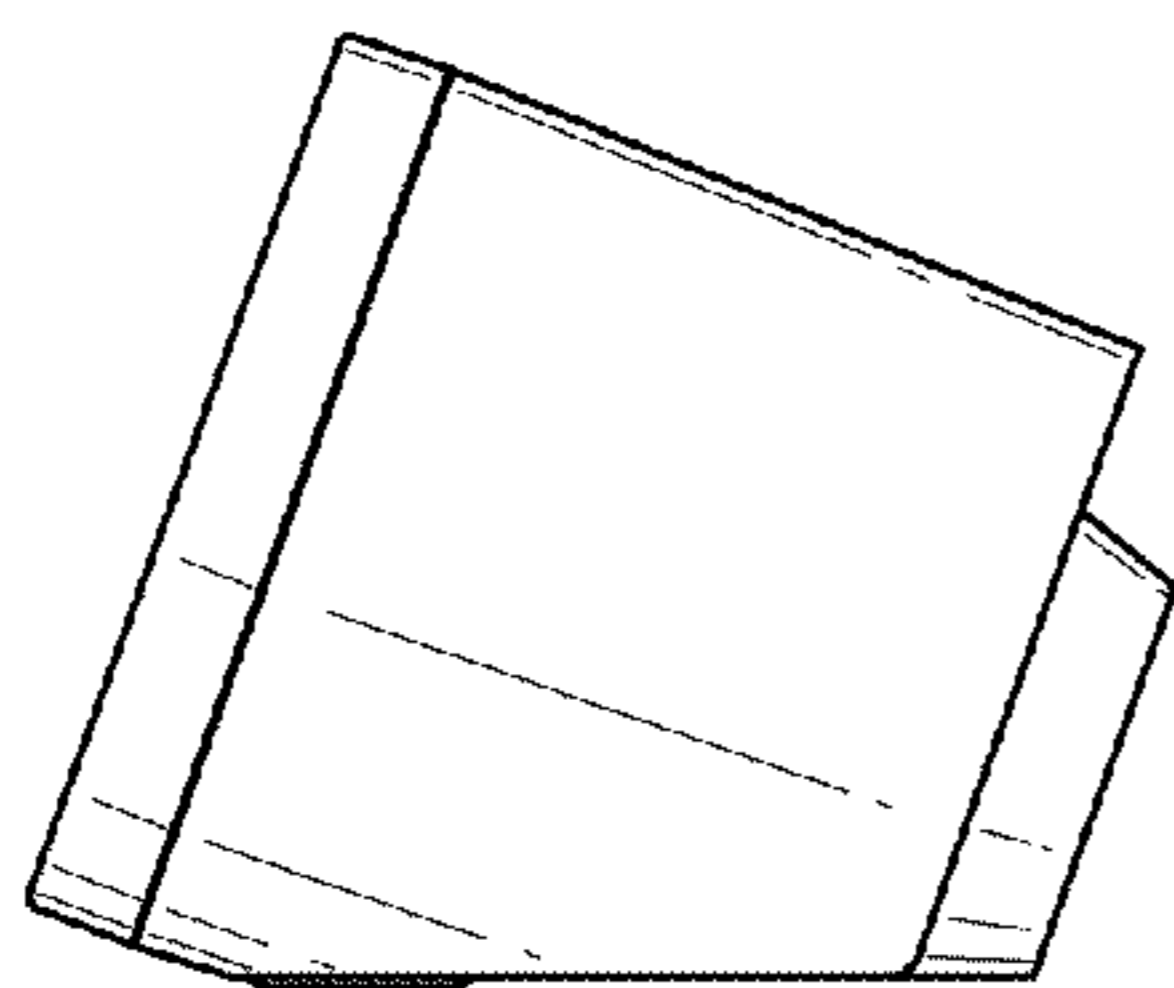


FIG. 3

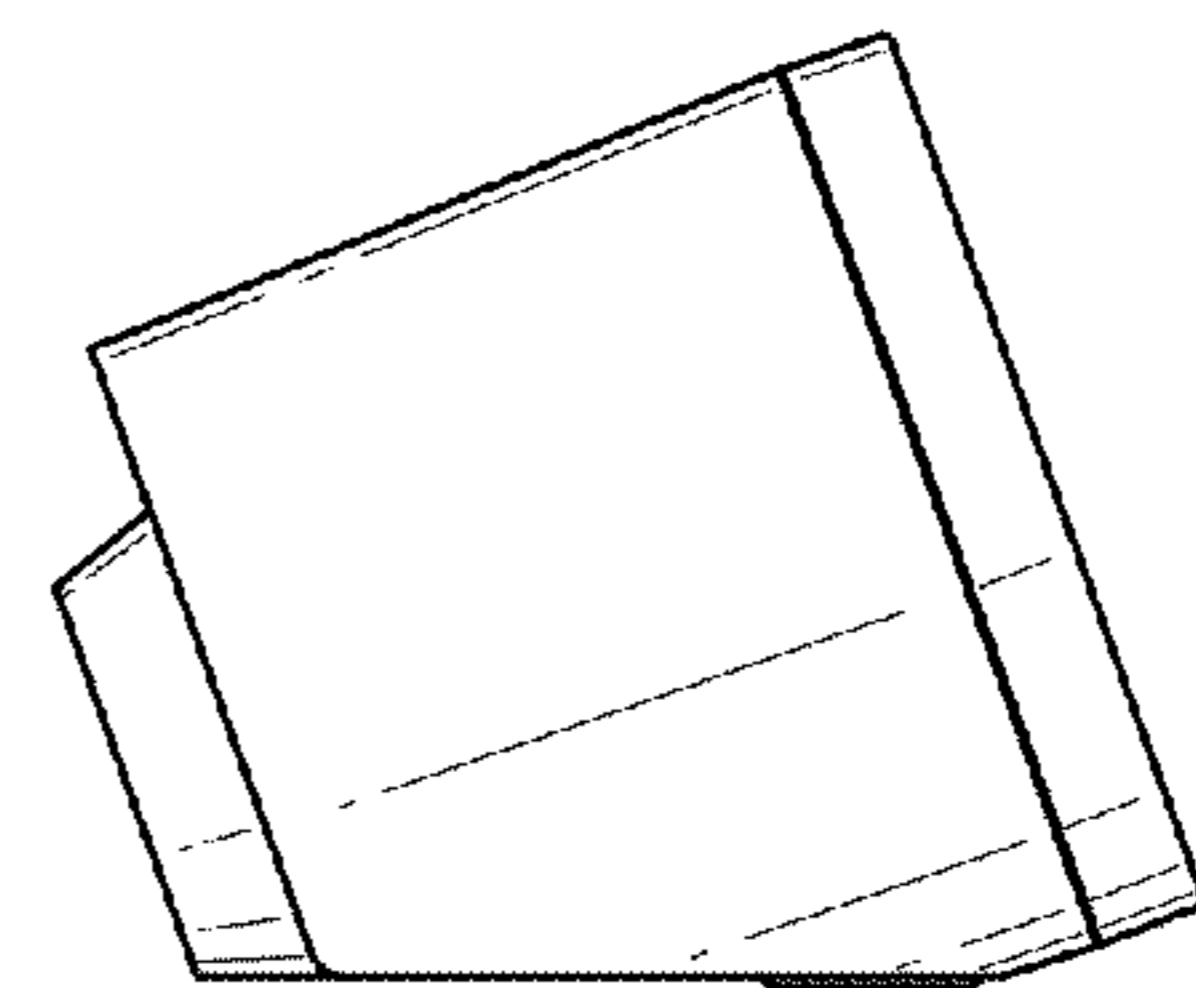


FIG. 4

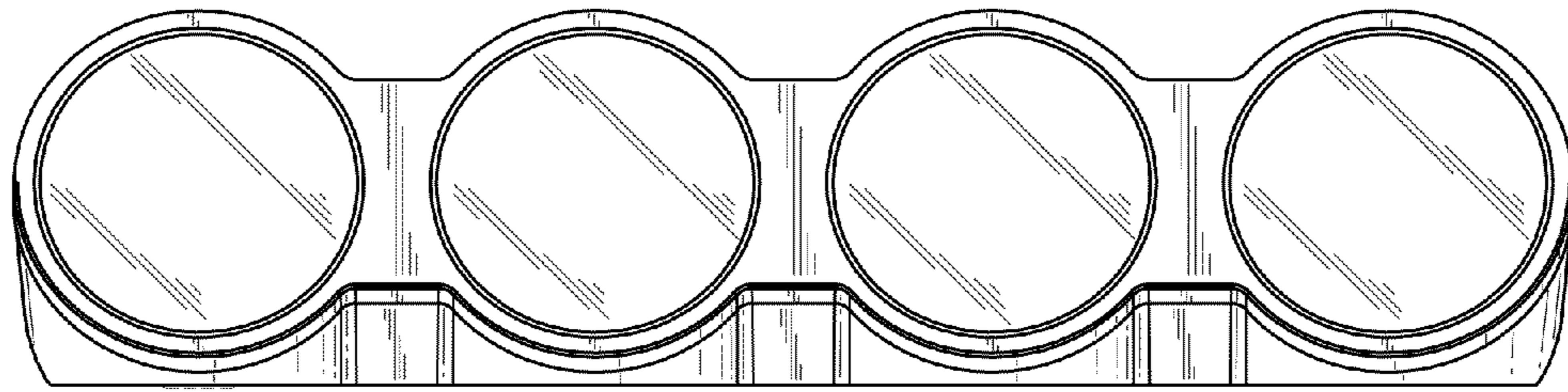


FIG. 5

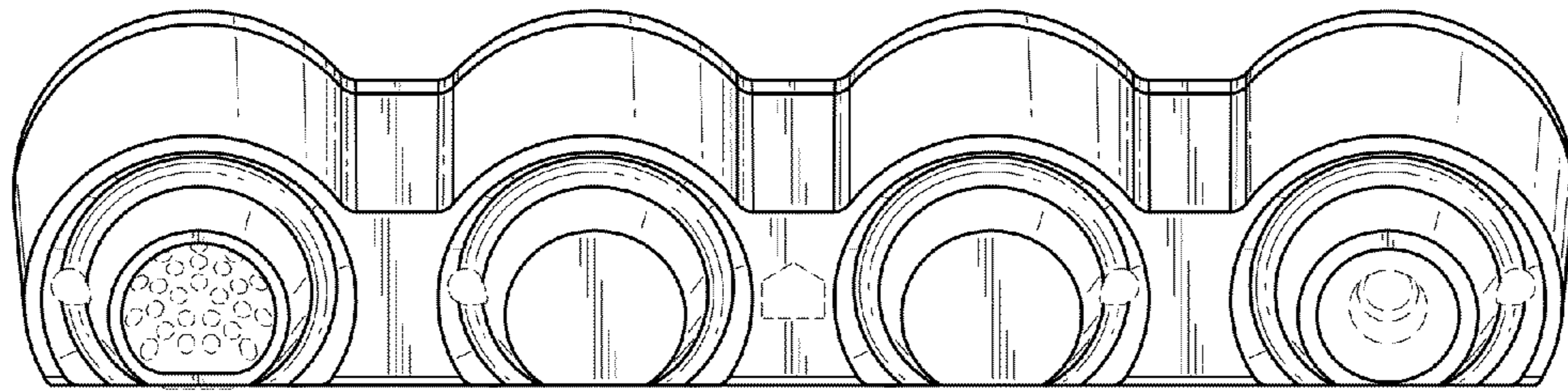


FIG. 6

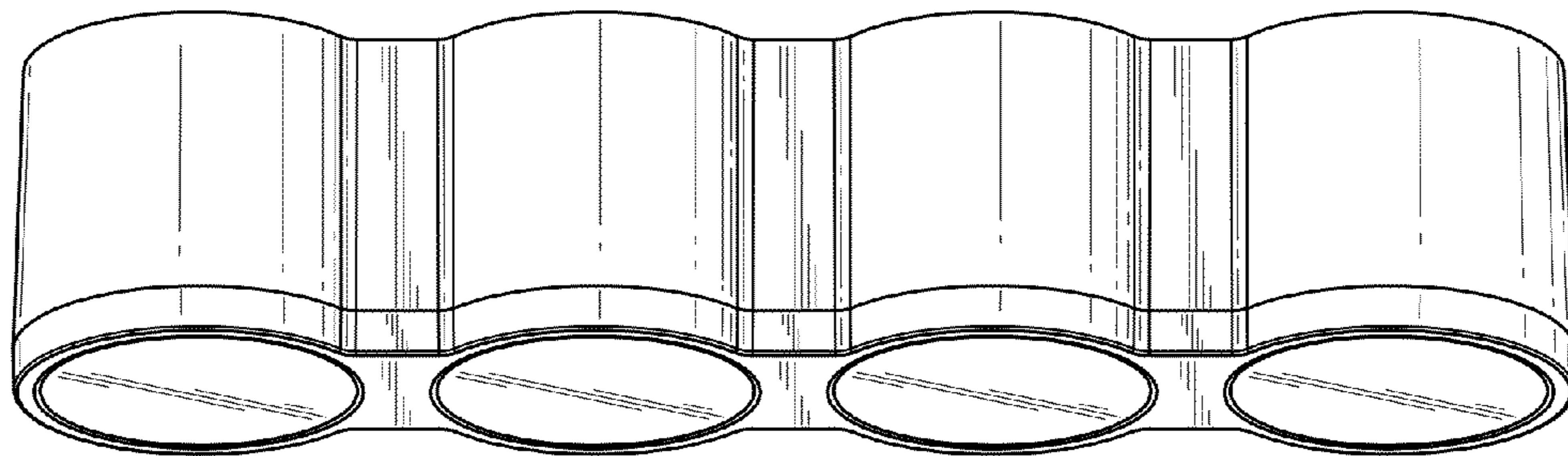


FIG. 7

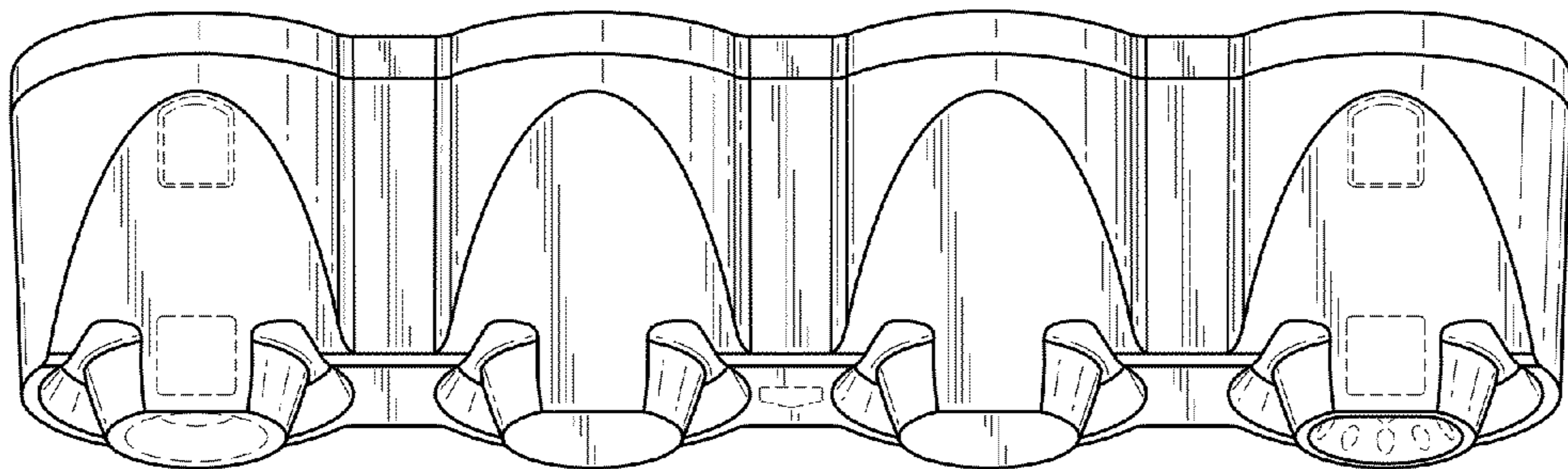


FIG. 8