



US00D727810S

(12) **United States Design Patent**
Beaven

(10) **Patent No.:** **US D727,810 S**

(45) **Date of Patent:** **** *Apr. 28, 2015**

(54) **VEHICLE COMPONENT**

(71) Applicant: **Jaguar Cars Limited**, Coventry (GB)

(72) Inventor: **Matthew Beaven**, Coventry (GB)

(73) Assignee: **Jaguar Land Rover Limited** (GB)

(*) Notice: This patent is subject to a terminal disclaimer.

(**) Term: **14 Years**

(21) Appl. No.: **29/465,941**

(22) Filed: **Sep. 3, 2013**

(51) **LOC (10) Cl.** **12-08**

(52) **U.S. Cl.**
USPC **D12/181**

(58) **Field of Classification Search**
USPC D12/181, 191, 196, 400, 190, 88;
280/727, 770, 848; 296/180.1-180.5,
296/91; 180/903

See application file for complete search history.

(56) **References Cited**

U.S. PATENT DOCUMENTS

D313,773 S * 1/1991 Walling et al. D12/92
D422,544 S * 4/2000 Carlson et al. D12/181

D427,126 S * 6/2000 Won et al. D12/181
D519,891 S * 5/2006 Lai D12/181
D603,315 S * 11/2009 Gamou D12/190
D638,337 S * 5/2011 Francisco D12/181
D659,615 S * 5/2012 Varga D12/181

* cited by examiner

Primary Examiner — Katrina A Betton

(74) *Attorney, Agent, or Firm* — Rader, Fishman & Grauer PLLC

(57) **CLAIM**

The ornamental design for a vehicle component, as shown and described.

DESCRIPTION

FIG. 1 is a front perspective view of a vehicle component; FIG. 2 is a rear perspective view of a vehicle component; FIG. 3 is a left side view of a vehicle component; FIG. 4 is a right side view of a vehicle component; FIG. 5 is a top view of a vehicle component; FIG. 6 is a front view of a vehicle component; FIG. 7 is a rear view of a vehicle component; and, FIG. 8 is a supplemental rear perspective view of the vehicle component in the installed position on a vehicle. The dashed lines of FIGS. 1-8 form no part of the claimed design.

1 Claim, 5 Drawing Sheets





FIG. 1

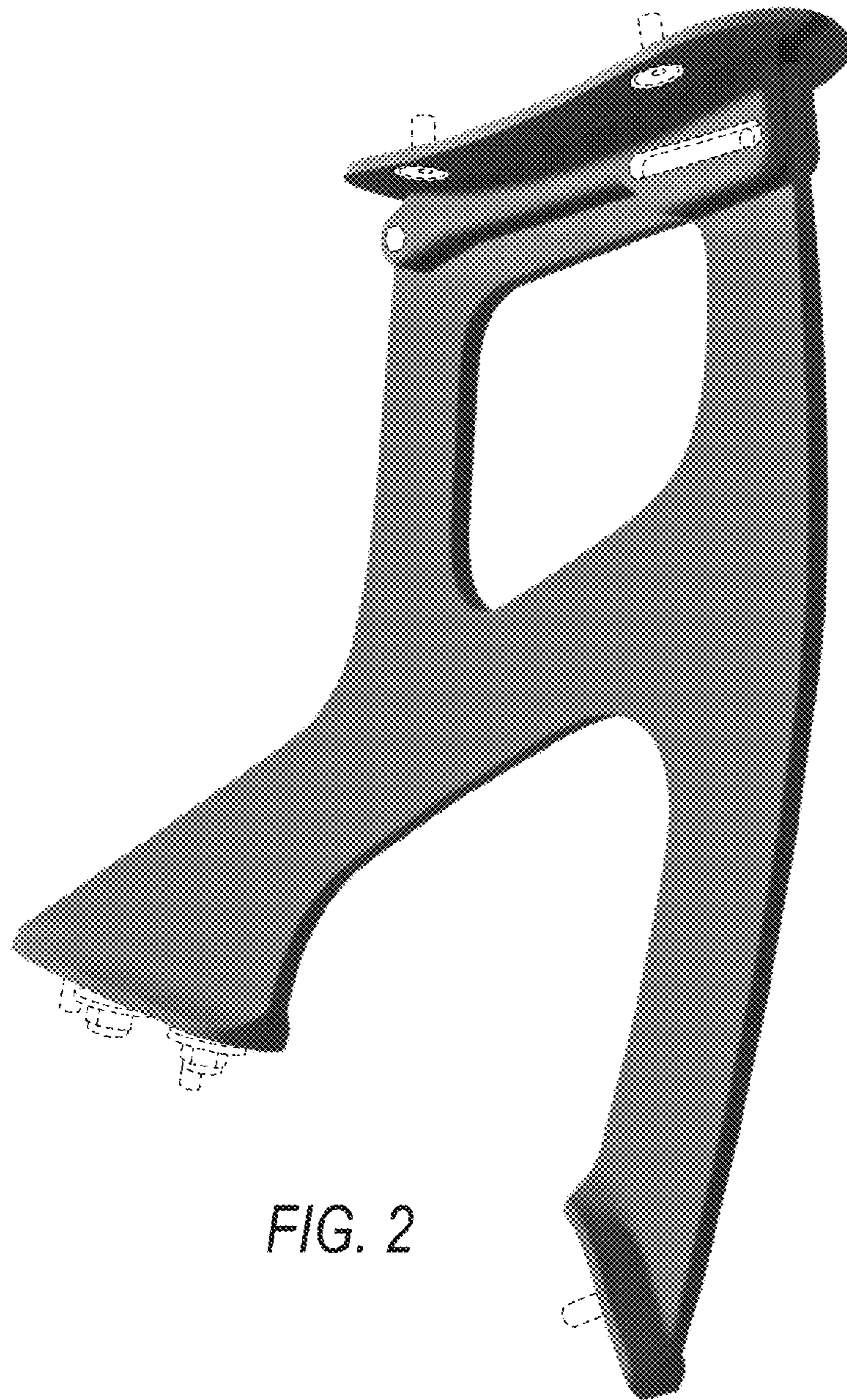
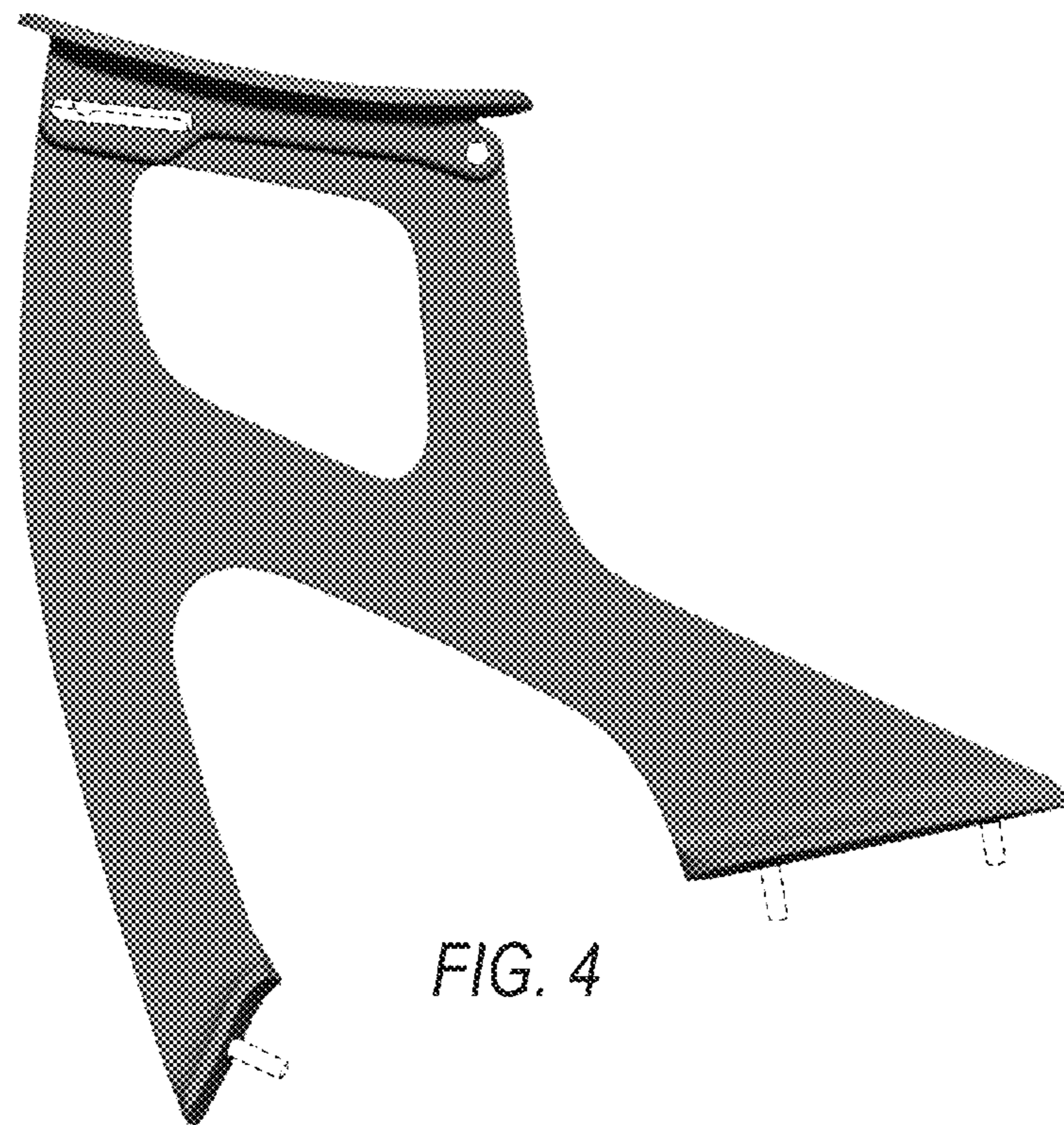
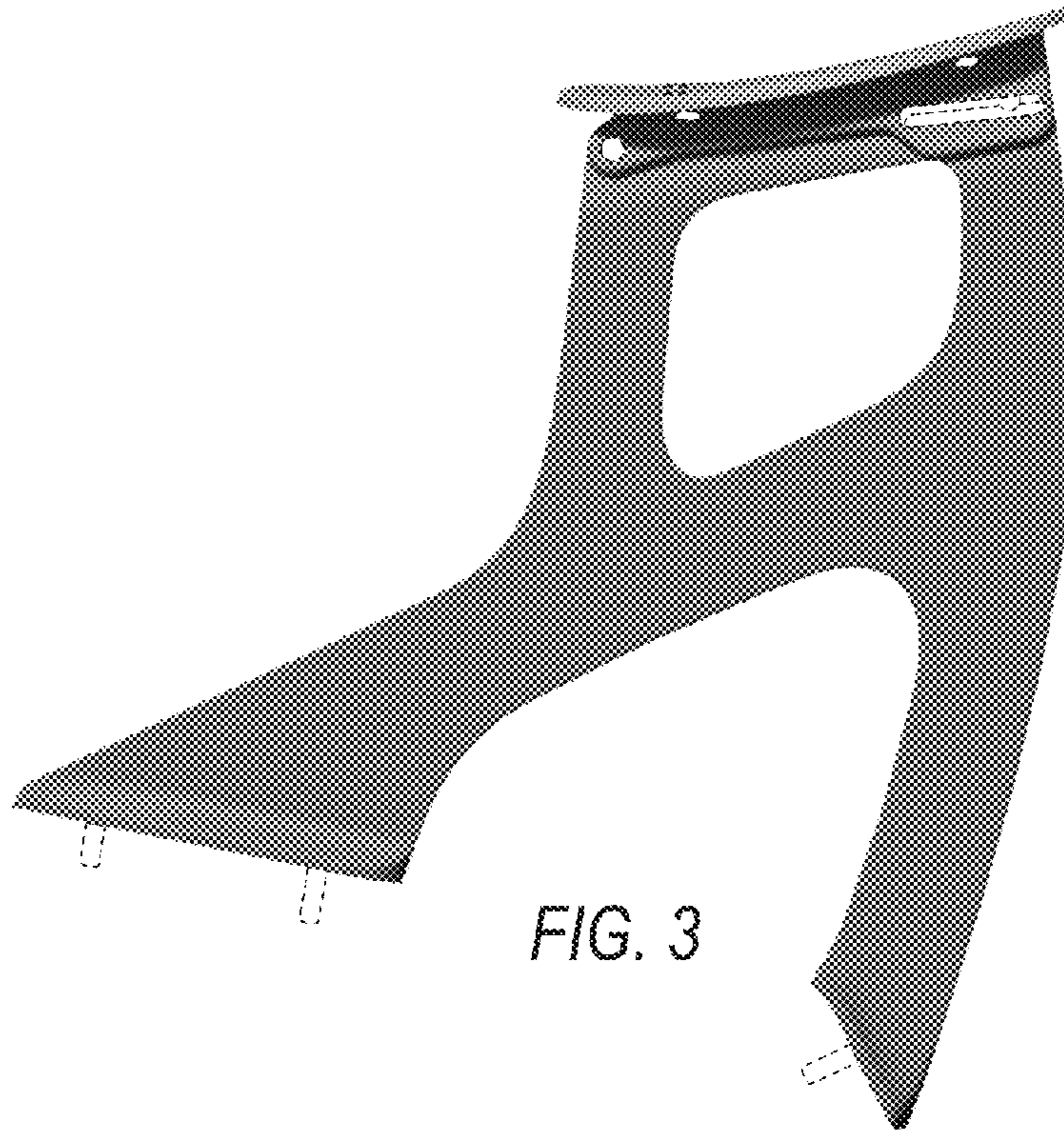


FIG. 2



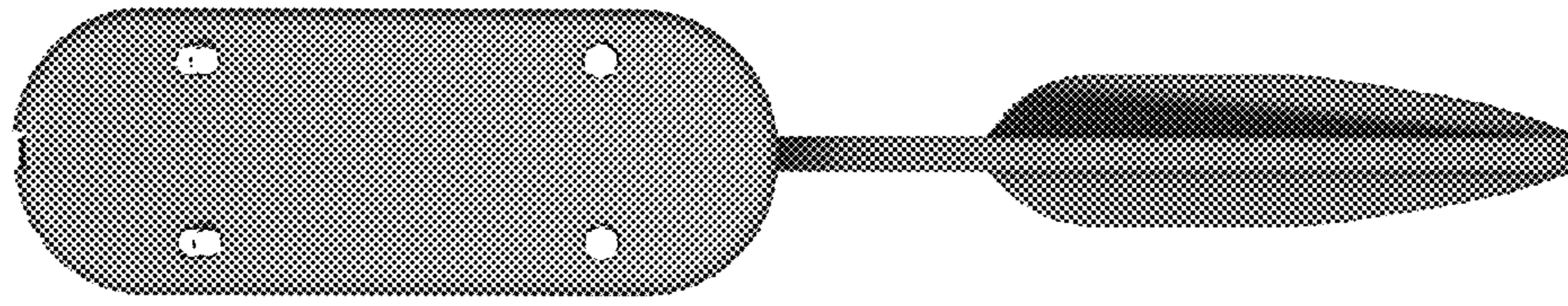


FIG. 5

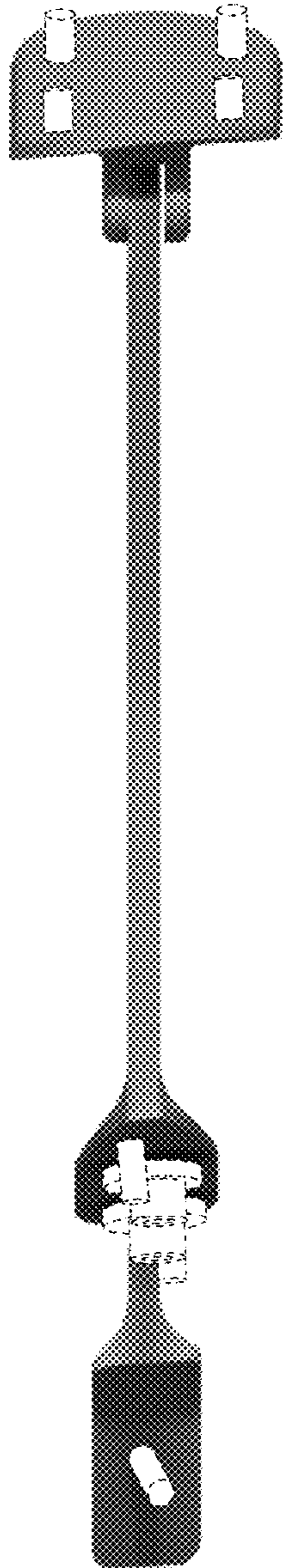


FIG. 6

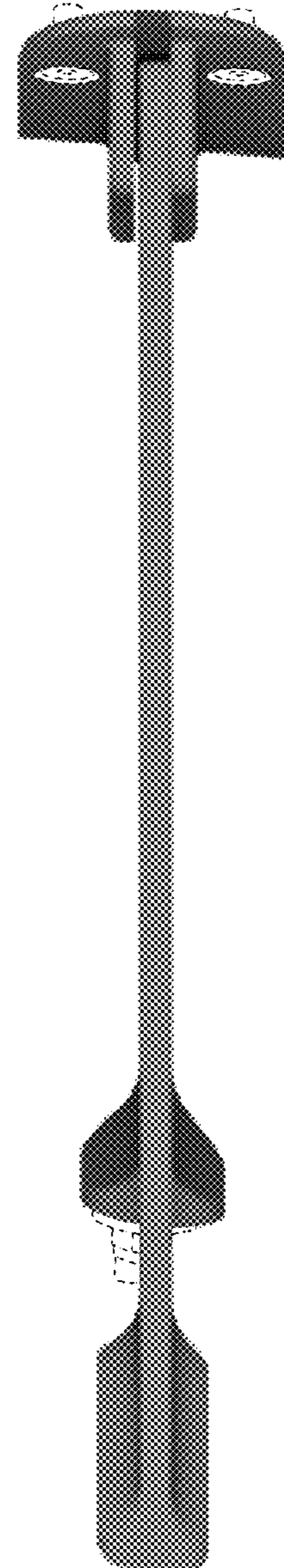


FIG. 7

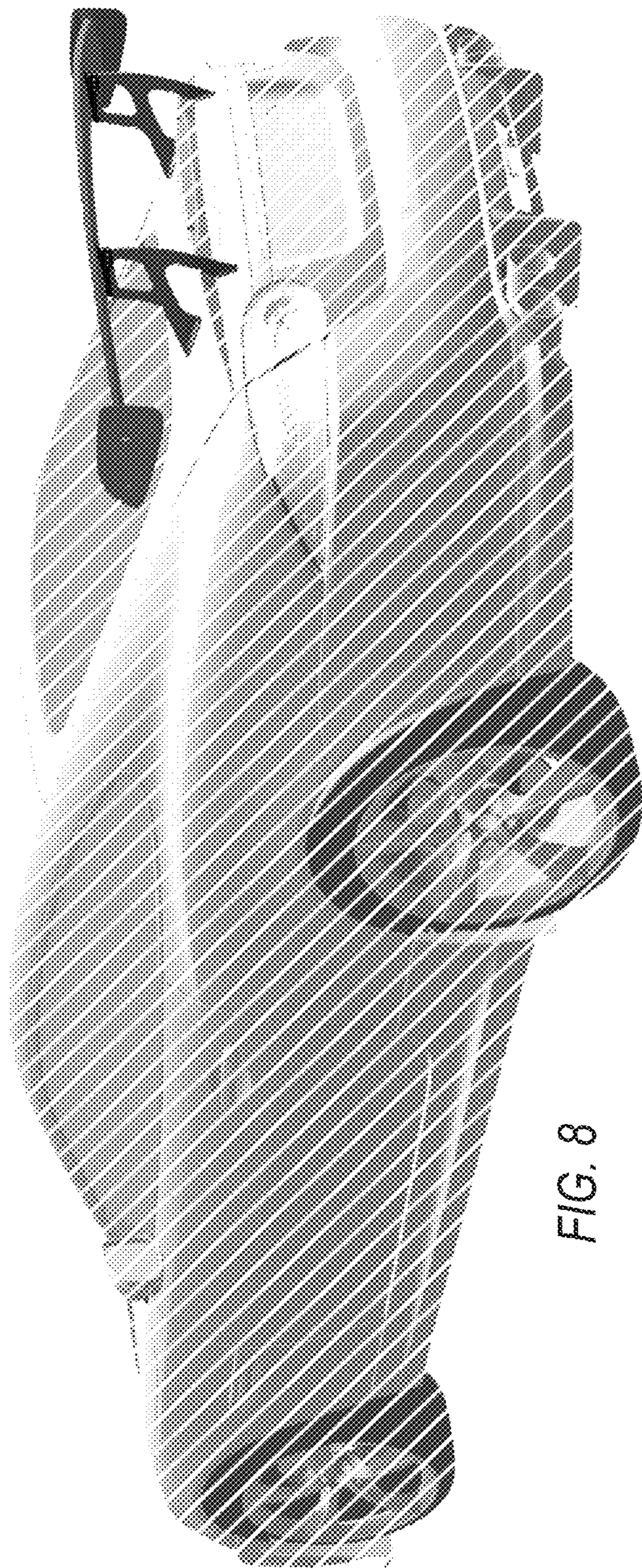


FIG. 8