



US00D727809S

(12) **United States Design Patent**  
**Scheinhütte**

(10) **Patent No.:** **US D727,809 S**

(45) **Date of Patent:** **\*\* Apr. 28, 2015**

(54) **SPOILER FOR A MOTOR VEHICLE**

D699,646 S \* 2/2014 Saracoglu ..... D12/181  
D716,205 S \* 10/2014 Callum et al. .... D12/181  
D722,929 S \* 2/2015 Hatter ..... D12/181

(75) Inventor: **Ingo Scheinhütte**, Eberdingen (DE)

(73) Assignee: **Dr. Ing. h.c. F. Porsche**  
**Aktiengesellschaft**, Stuttgart (DE)

(\*\*) Term: **14 Years**

(21) Appl. No.: **29/403,294**

(22) Filed: **Oct. 4, 2011**

(30) **Foreign Application Priority Data**

Apr. 4, 2011 (DE) ..... 40 2011 002 566

(51) **LOC (10) Cl.** ..... **12-08**

(52) **U.S. Cl.**  
USPC ..... **D12/181**

(58) **Field of Classification Search**  
USPC ..... D12/181, 191, 196, 400, 190, 88;  
280/727, 770; 296/180.1-180.5, 91;  
180/903

See application file for complete search history.

(56) **References Cited**

**U.S. PATENT DOCUMENTS**

D433,976 S \* 11/2000 Hatter ..... D12/181  
D531,945 S \* 11/2006 Saracoglu et al. .... D12/181  
D559,751 S \* 1/2008 Djordjevic ..... D12/181  
D669,005 S \* 10/2012 Varga ..... D12/181  
D686,124 S \* 7/2013 Kawasaki ..... D12/181

**OTHER PUBLICATIONS**

U.S. Appl. No. 29/369,501, Varga.  
U.S. Appl. No. 29/377,546, Varga.  
U.S. Appl. No. 29/377,559, Varga.  
U.S. Appl. No. 29/398,504, Saracoglu.  
U.S. Appl. No. 29/399,954, Varga.  
U.S. Appl. No. 29/403,294, Scheinhütte.

\* cited by examiner

*Primary Examiner* — Katrina A Betton

(74) *Attorney, Agent, or Firm* — RatnerPrestia

(57) **CLAIM**

The ornamental design for a spoiler for a motor vehicle, as shown and described.

**DESCRIPTION**

FIG. 1 is a perspective view of a spoiler for a motor vehicle; FIG. 2 is a front elevation view of the spoiler; FIG. 3 is a rear elevation view of the spoiler; FIG. 4 is an elevation view from the left side of the spoiler; FIG. 5 is an elevation view from the right side of the spoiler; FIG. 6 is a top plan view of the spoiler; and, FIG. 7 is a bottom plan view of the spoiler. In the drawings, the broken lines in FIG. 7 depict portions of the article that form no part of the claimed design.

**1 Claim, 4 Drawing Sheets**

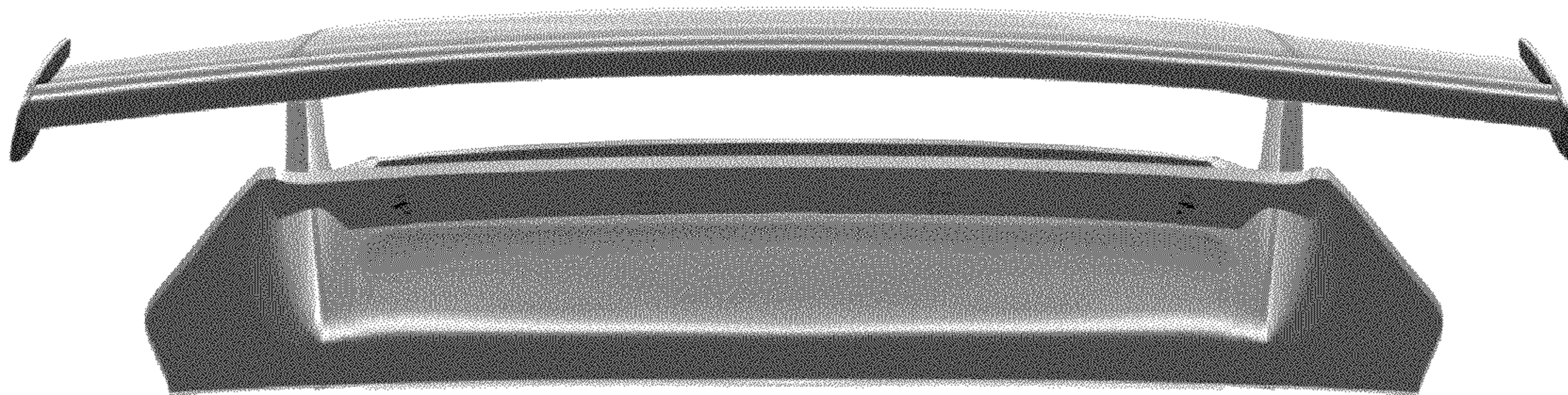




Figure 1

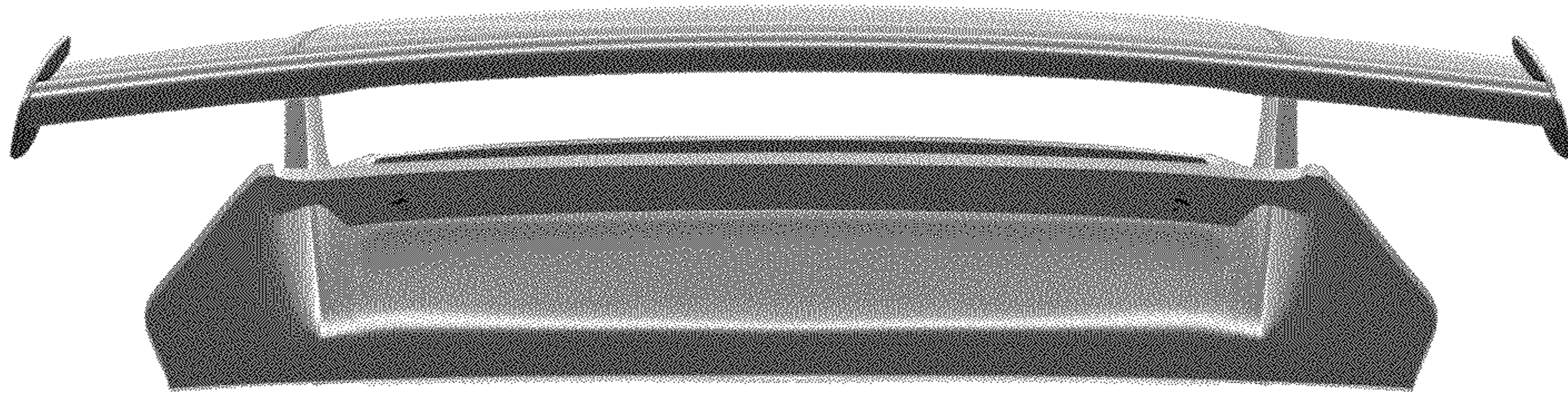


Figure 2

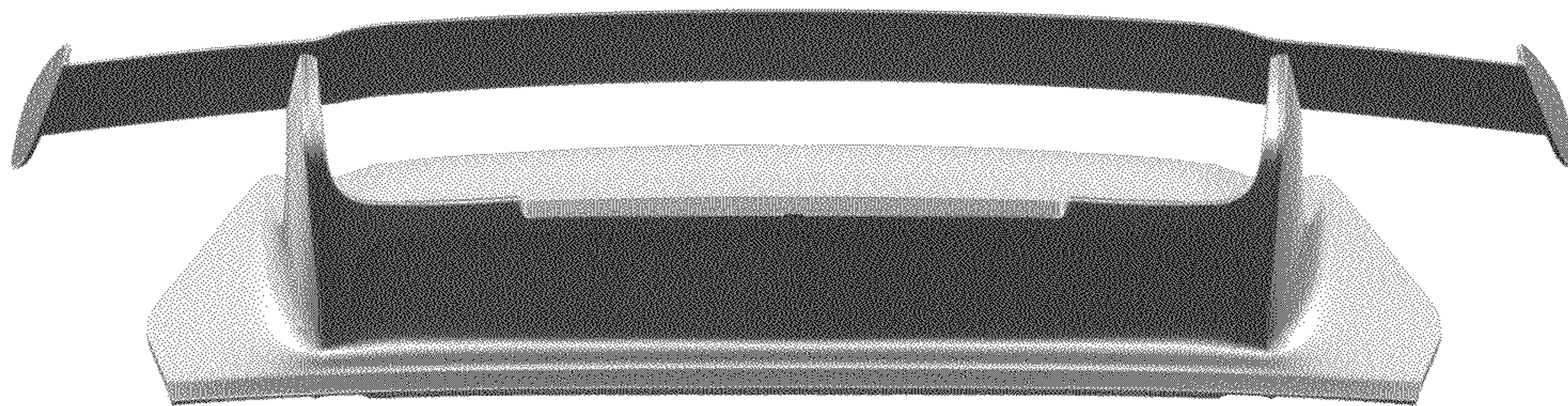


Figure 3

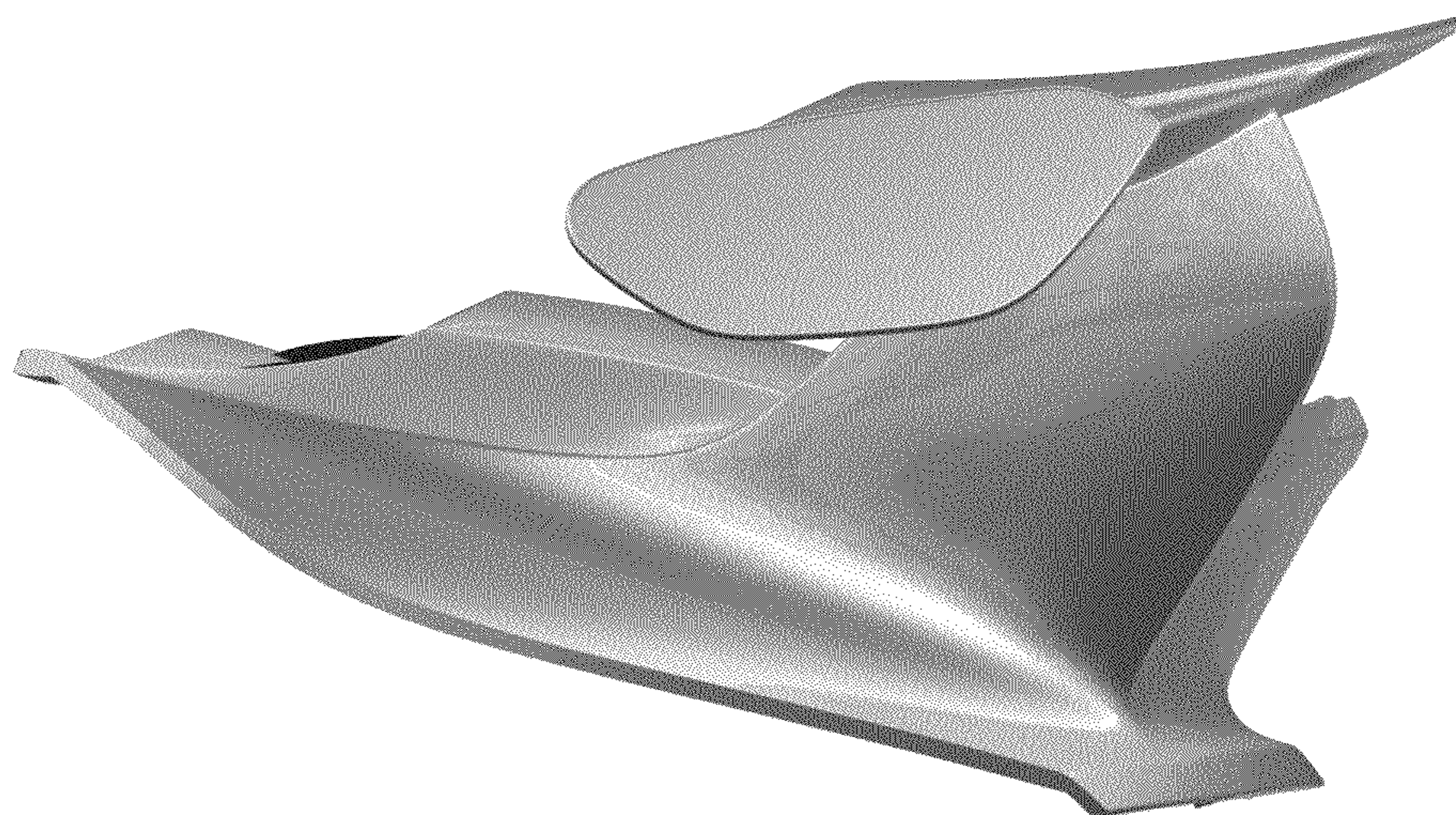


Figure 4

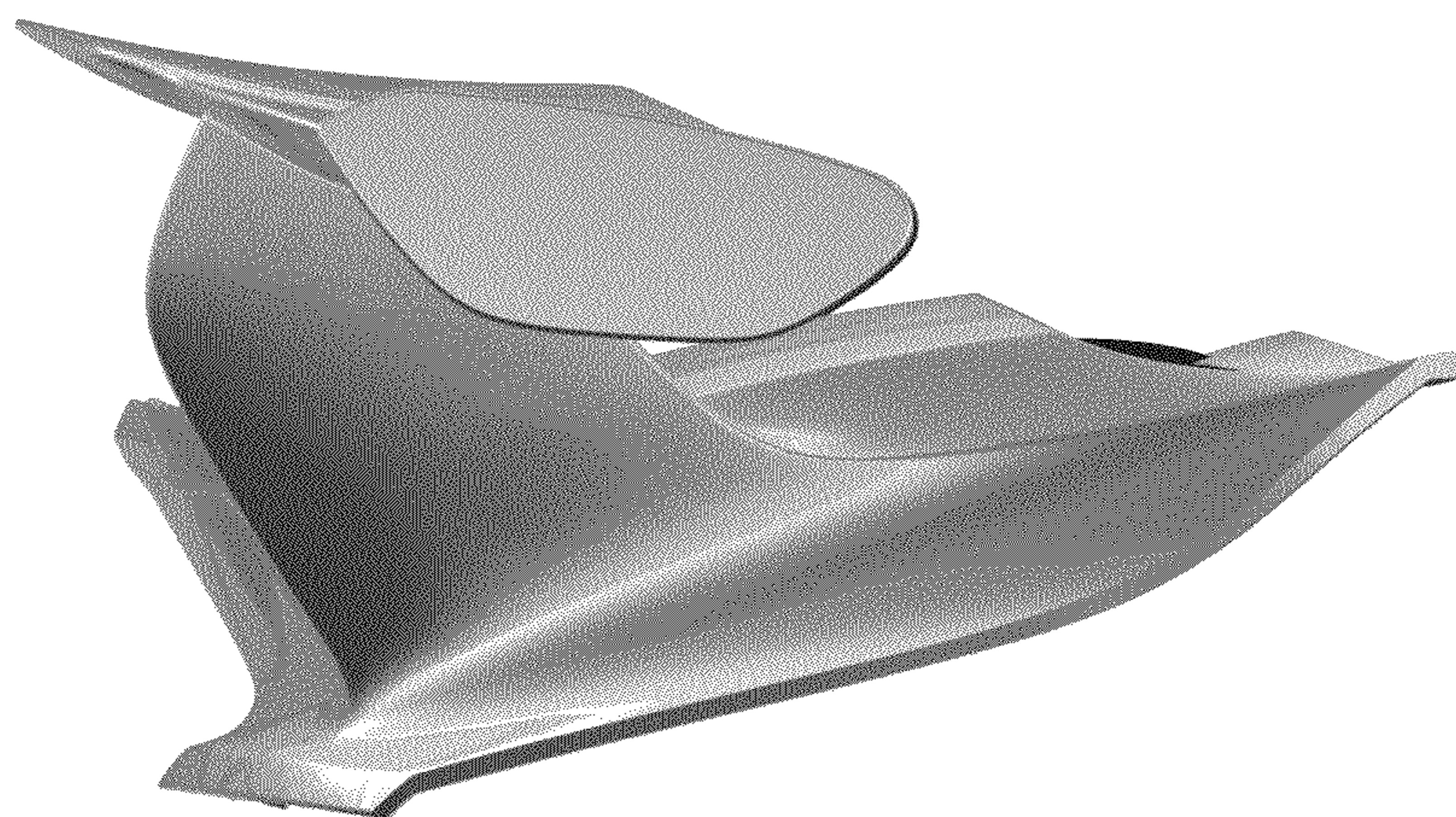


Figure 5

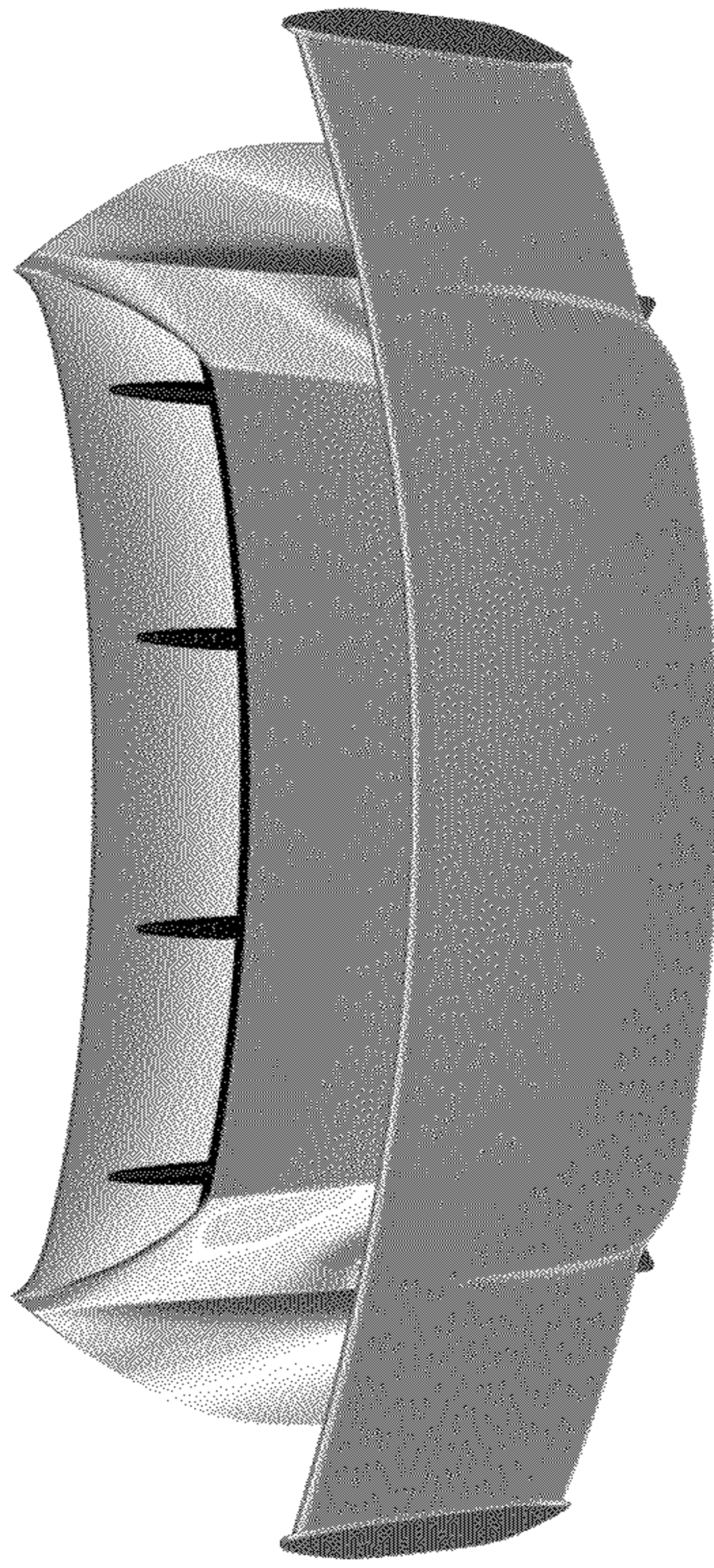


Figure 6



Figure 7